

[54] **HAND-HOLDABLE FOOD PROCESSOR**

[75] **Inventors: Ira Gaber, West Norwalk, Conn.;  
Cooper C. Woodring, Plandome, N.Y.**

[73] **Assignee: Better Mousetraps Inc., Plandome,  
N.Y.**

[\*\*] **Term: 14 Years**

[21] **Appl. No.: 187,879**

[22] **Filed: Apr. 29, 1988**

[52] **U.S. CL. .... D7/384; D7/372;  
D7/381; D7/412**

[58] **Field of Search ..... D7/412-415,  
D7/384, 379, 386, 378, 381, 383, 372, 374, 368,  
678, 679; 241/93, 169.1, 37.5**

[56] **References Cited**

**U.S. PATENT DOCUMENTS**

D. 249,440	9/1978	Doyel .	
762,497	6/1904	Snyder .....	241/93
1,840,400	1/1932	Lebherz .	
2,128,792	8/1938	Berarducci .	
2,145,421	1/1939	Jungbecker .	
2,228,025	1/1941	Apfelbeck .	
2,271,175	1/1942	Mantelet .	
2,352,122	6/1944	Richardson .	
2,596,604	5/1952	Schaeffer .	
2,713,367	7/1955	Aberer .	
2,958,355	11/1960	Young .	
3,036,615	5/1962	Gutfreund .....	241/37.5
3,137,333	4/1963	Nishina .	
3,335,772	8/1967	Menge .	
3,359,637	12/1967	Hansen .....	30/272
3,365,963	1/1968	Happe .....	74/47
3,491,819	2/1968	Sawrenko .	
3,563,290	2/1971	Bricker .	
3,605,842	9/1971	Kuri .	
3,635,270	1/1972	Petroske et al. ....	241/101 R X

3,675,886	7/1972	Kampmier .....	248/363
3,832,776	9/1974	Sawyer .....	30/272
3,907,215	9/1975	Mantelet .....	241/169.1
3,912,176	10/1975	Mantelet .....	241/93
3,952,239	4/1976	Owings .....	30/DIG. 1 X
4,016,802	4/1977	O'Connell .....	30/DIG. 1 X
4,062,262	12/1977	Odell .....	83/717
4,073,056	2/1978	Schaeffer et al. ....	30/123.5
4,081,145	3/1978	Moe et al. ....	241/93
4,084,123	4/1978	Lineback et al. ....	30/DIG. 1 X
4,178,683	12/1979	Bettcher .....	30/276
4,211,002	7/1980	Kirk .....	30/123.3
4,227,656	10/1980	Engbretsen .....	241/93
4,309,823	1/1982	Antolino et al. ....	30/276
4,390,133	6/1983	Wanat .....	241/93
4,509,698	4/1985	David .....	241/169.1
4,616,169	10/1986	Proffitt .....	30/DIG. 1 X
4,622,749	11/1986	Inagaki .....	30/DIG. 1 X

**FOREIGN PATENT DOCUMENTS**

197810 10/1978 Fed. Rep. of Germany ..... 241/93

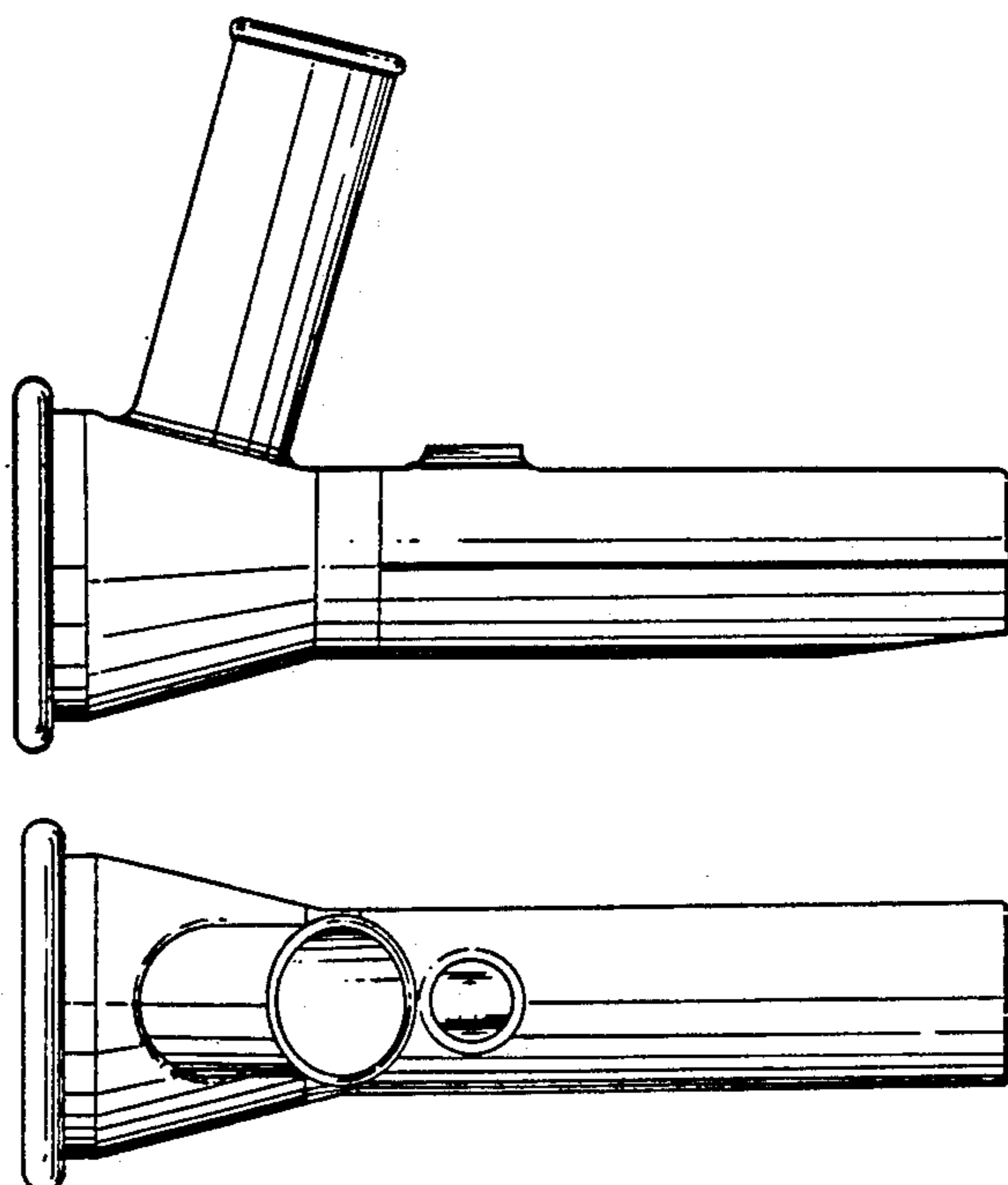
*Primary Examiner*—Winifred E. Herrmann  
*Attorney, Agent, or Firm*—Hedman, Gibson, Costigan & Hoare

[57] **CLAIM**

The ornamental design for a hand-holdable food processor, as shown and described.

**DESCRIPTION**

FIG. 1 is a side elevational view of a hand-holdable food processor showing our new design, the side opposite being a mirror image;  
FIG. 2 is a top plan view;  
FIG. 3 is a bottom plan view;  
FIG. 4 is a front elevational view; and  
FIG. 5 is a rear elevational view thereof.  
The broken line showing of the recharge contacts in FIGS. 1, 2 and 3 is illustrative of environmental structure only and forms no part of the claimed design.



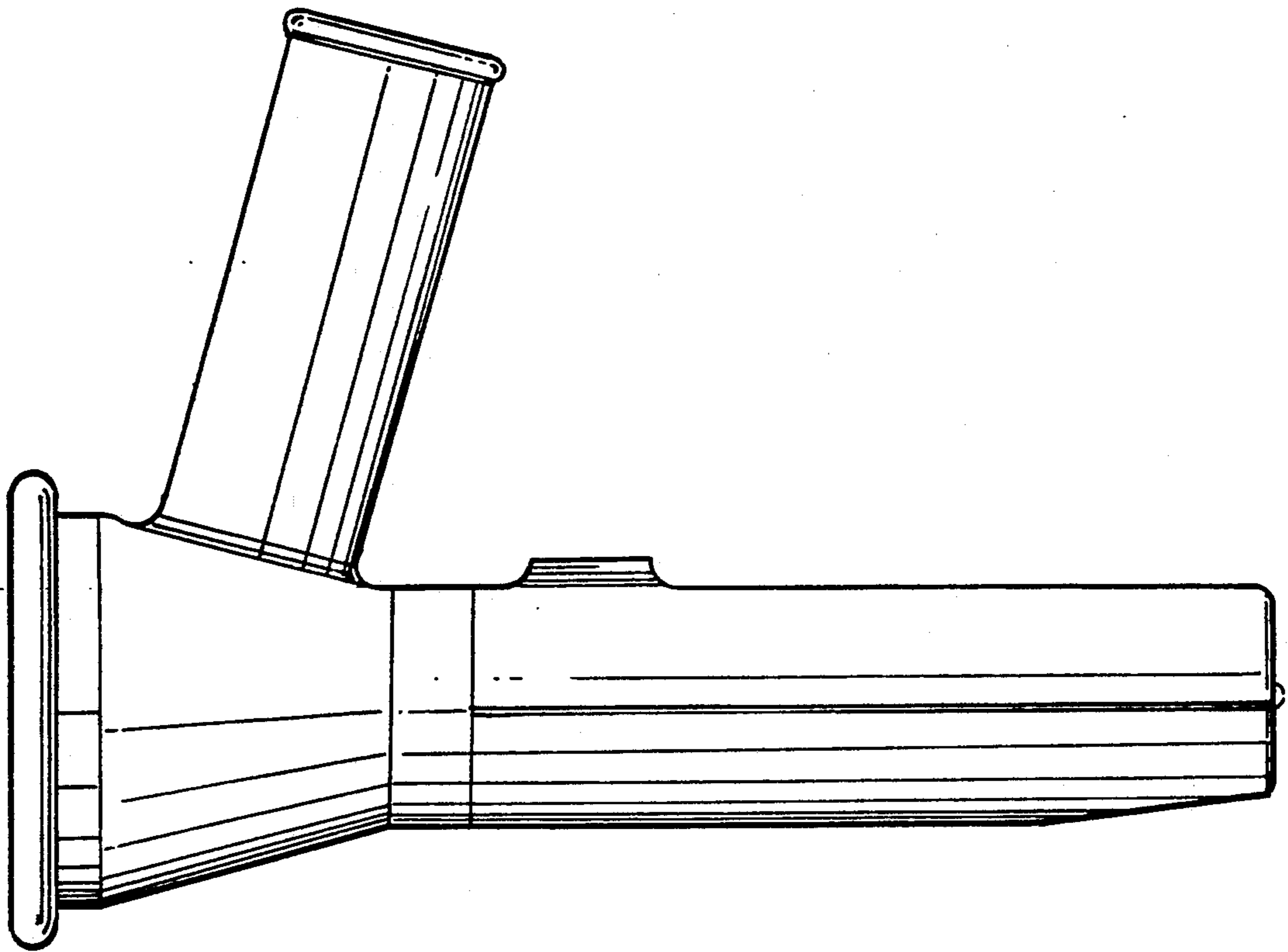


FIG. 1

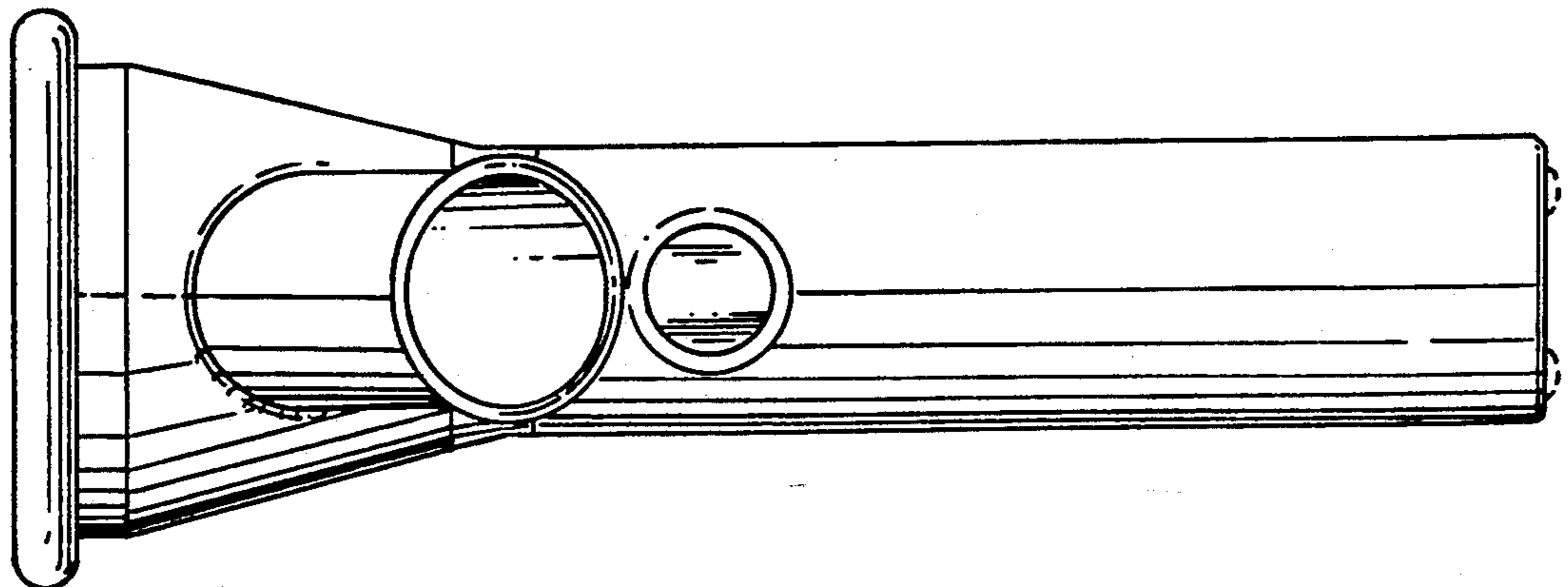


FIG. 2

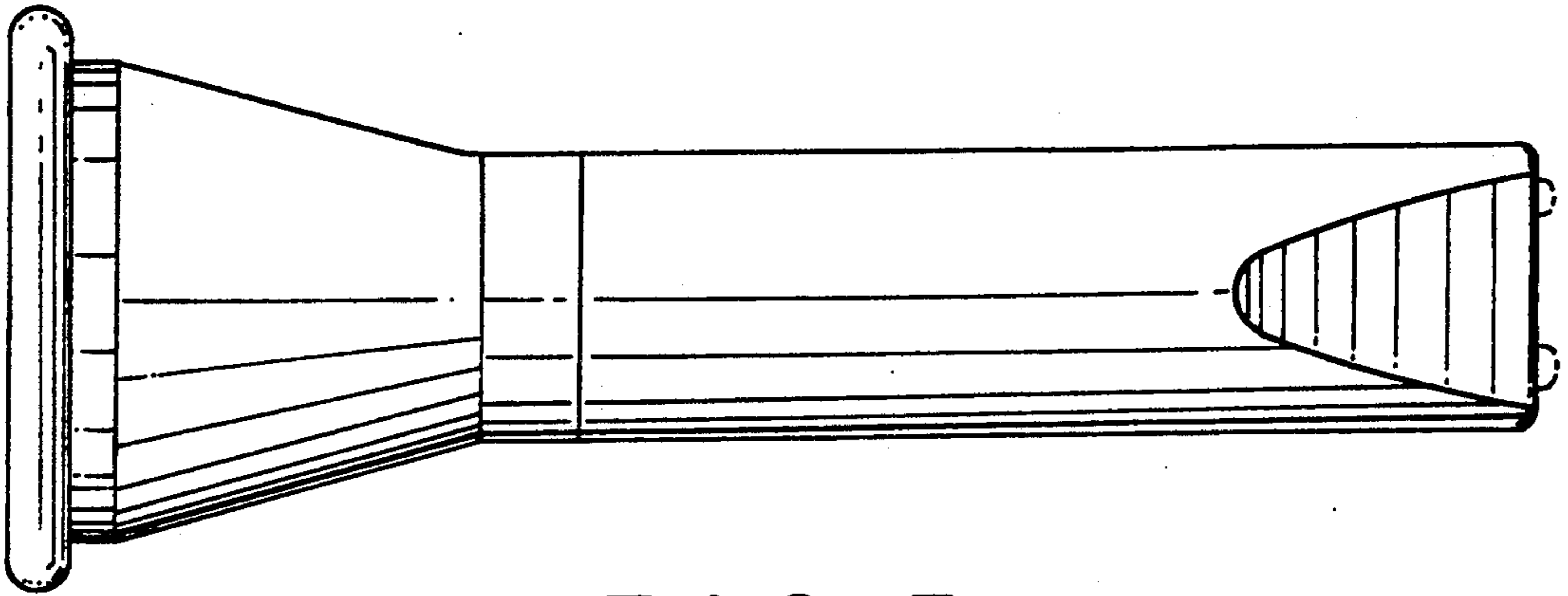


FIG. 3

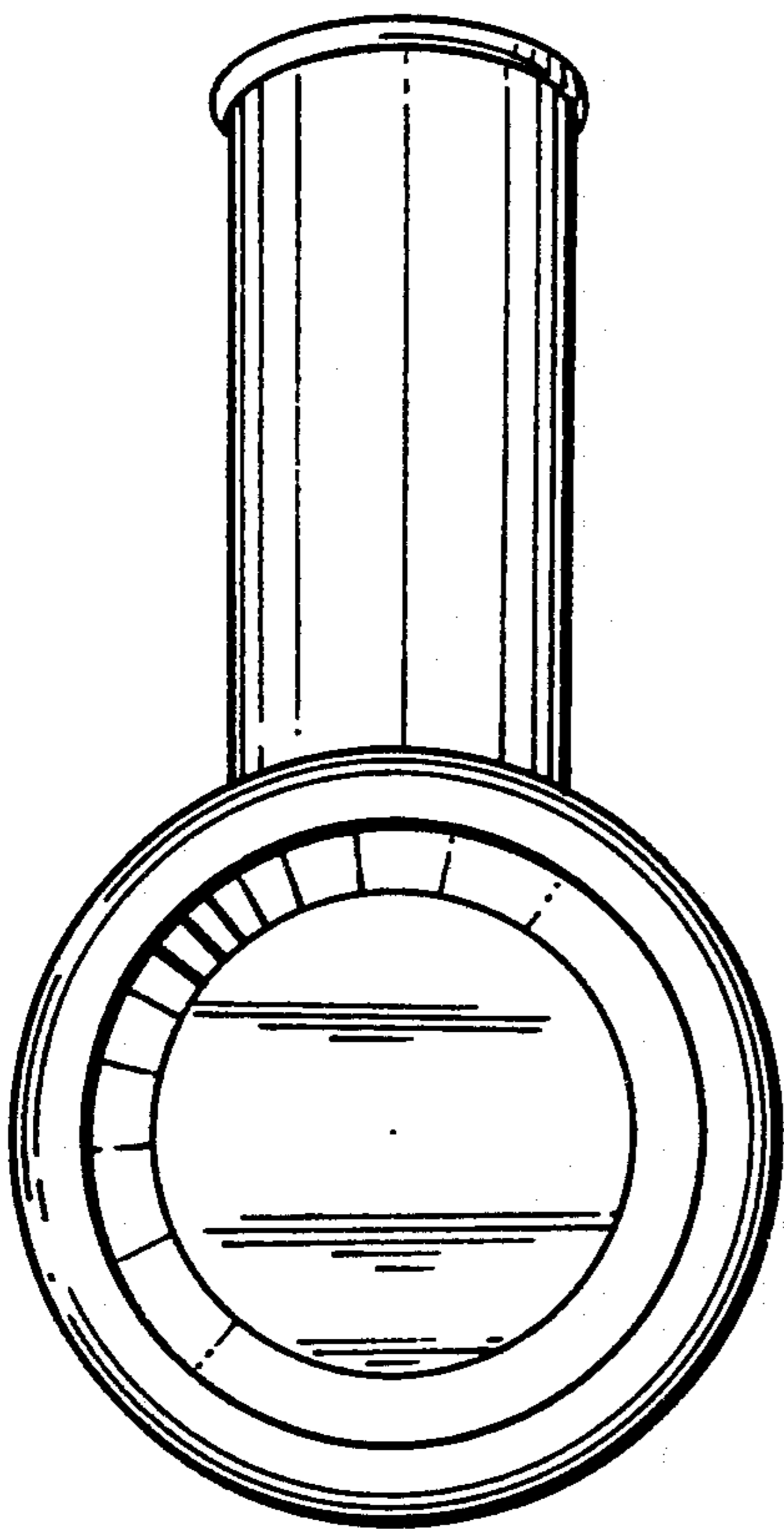


FIG. 4

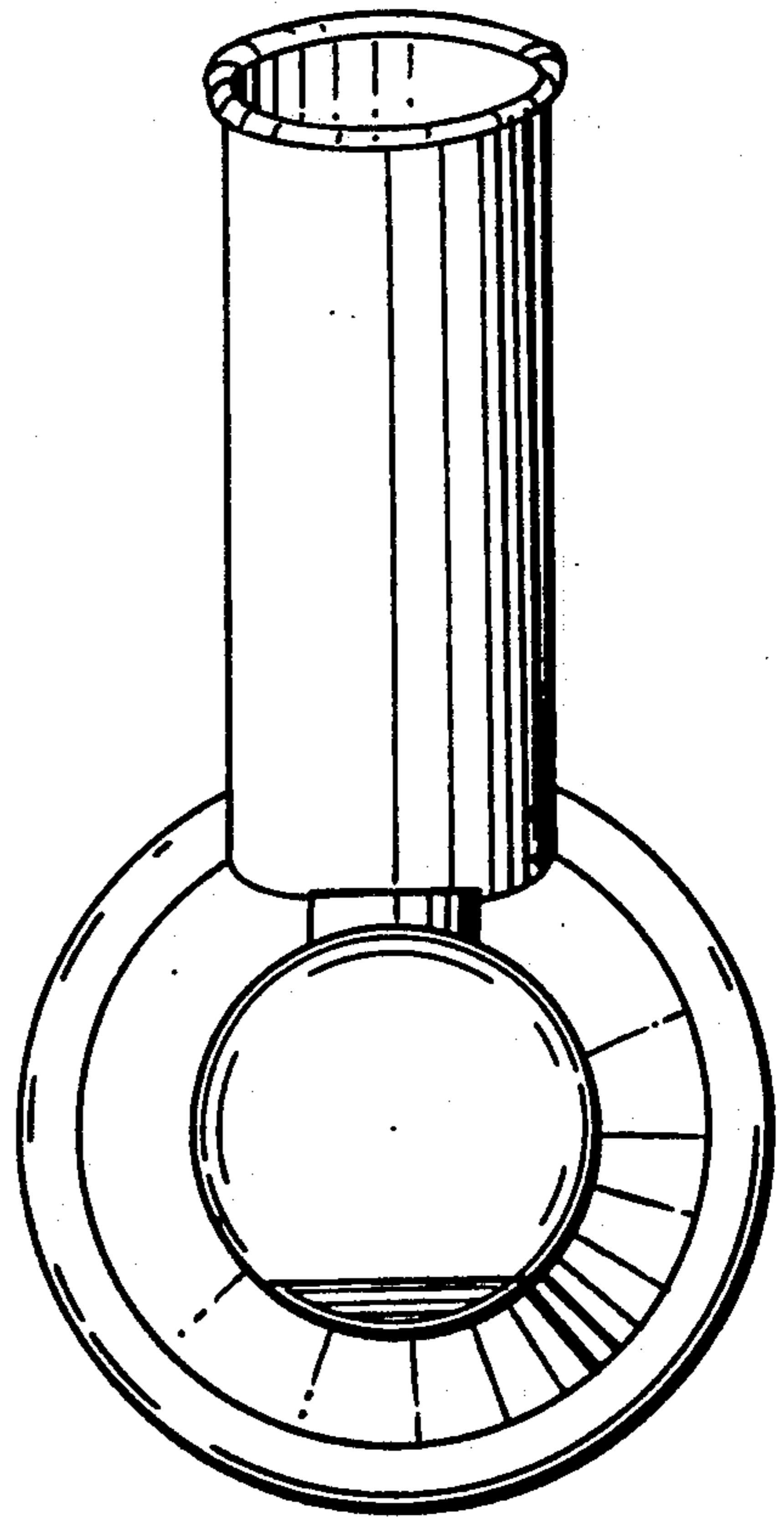


FIG. 5