

[54] INFLATABLE CUSHION FOR USE IN THE REAR PASSENGER AREA OF AN AUTOMOBILE

[76] Inventor: Hsun W. Chao, 11 Fl., No. 703, Chung Cheng rd., Shih Lin, Taipei, Taiwan

[\*\*] Term: 14 Years

[21] Appl. No.: 312,918

[22] Filed: Feb. 17, 1989

[52] U.S. Cl. .... D6/601

[58] Field of Search ..... D6/595-596, D6/601, 606, 406; D12/155; 5/431, 434, 436-437, 440-441, 448, 481; 297/16, 423, 440, 452, 454, 461, 463, DIG. 3

[56] References Cited

U.S. PATENT DOCUMENTS

D. 229,266	11/1973	Zacharias	.....	D6/601
D. 279,845	7/1985	Holliman	.....	D6/406
4,326,309	4/1982	Flaum	.....	5/12.1

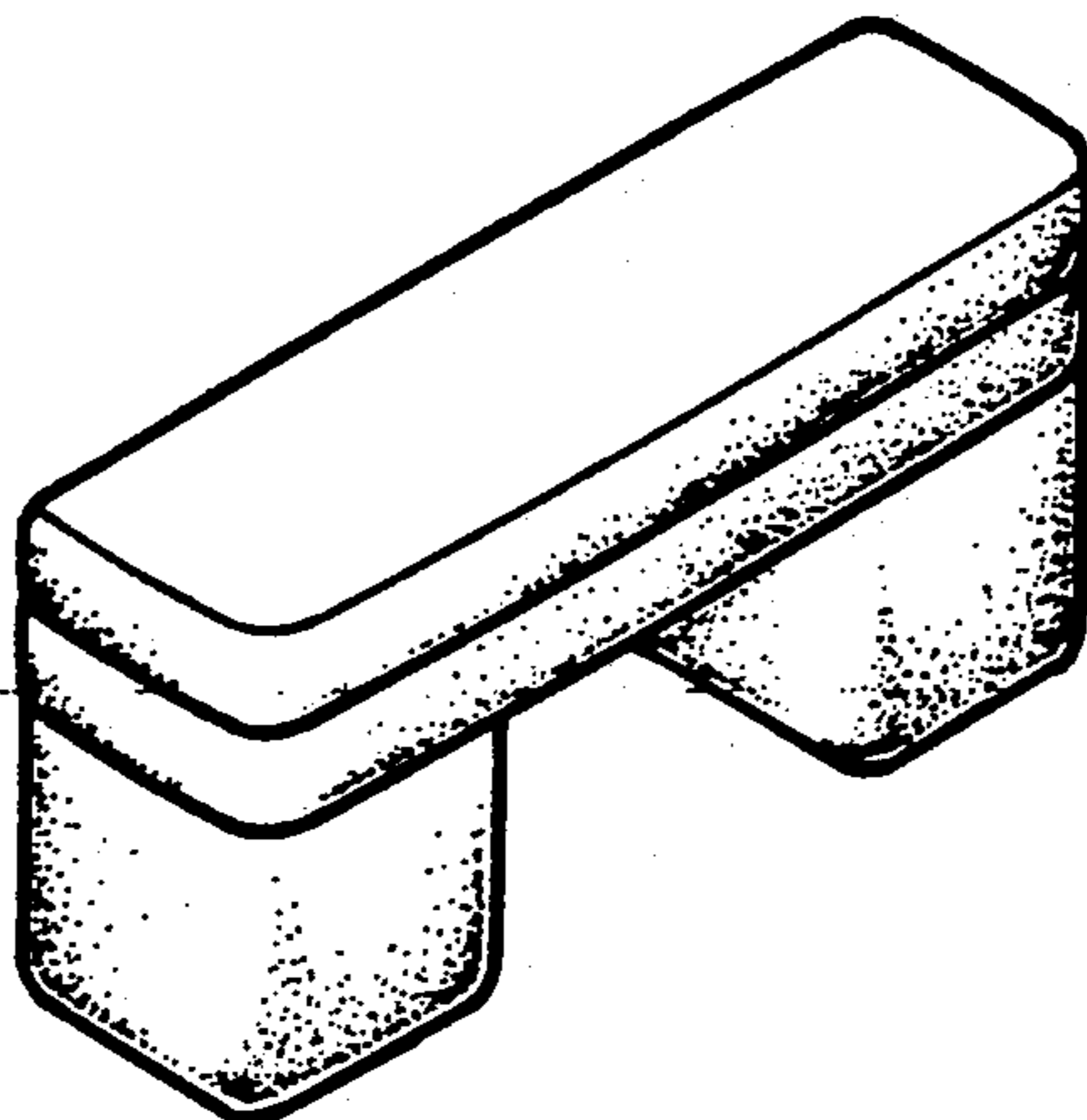
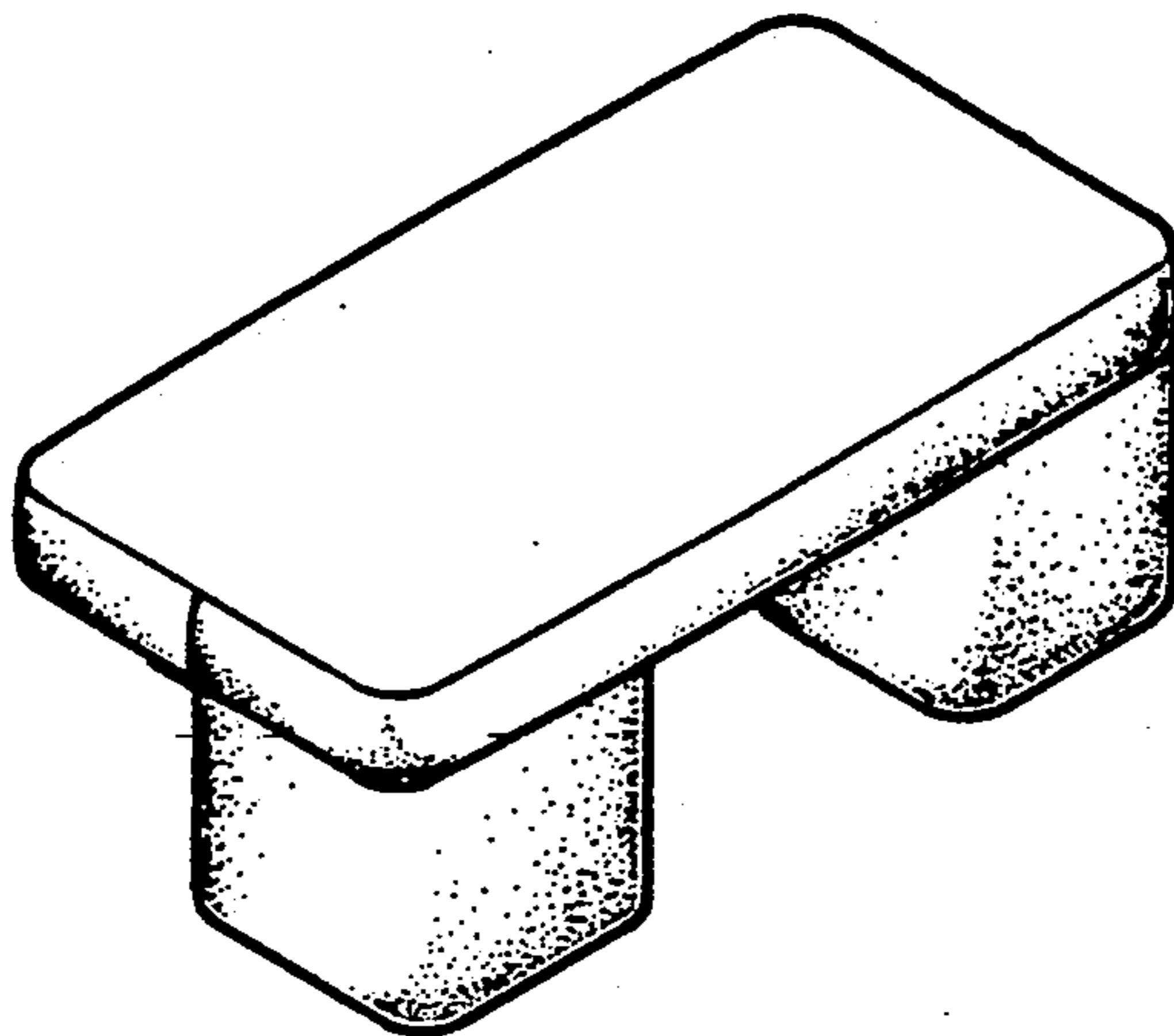
Primary Examiner—Wallace R. Burke  
Assistant Examiner—Brian N. Vinson  
Attorney, Agent, or Firm—Brumbaugh, Graves, Donohue & Raymond

[57] CLAIM

The ornamental design for a inflatable cushion for use in the rear passenger area of an automobile, as shown and described.

DESCRIPTION

FIG. 1 is a perspective view of an inflatable cushion for use in the rear passenger area of an automobile showing my new design;  
FIG. 2 is a front elevational view thereof;  
FIG. 3 is a top plan view thereof;  
FIG. 4 is a bottom plan view thereof;  
FIG. 5 is a side elevational view thereof, the opposite side being a mirror image of that shown;  
FIG. 6 is a perspective view thereof, shown in an alternative configuration; and  
FIG. 7 is a perspective view thereof, shown with portions deflated in another alternative configuration.



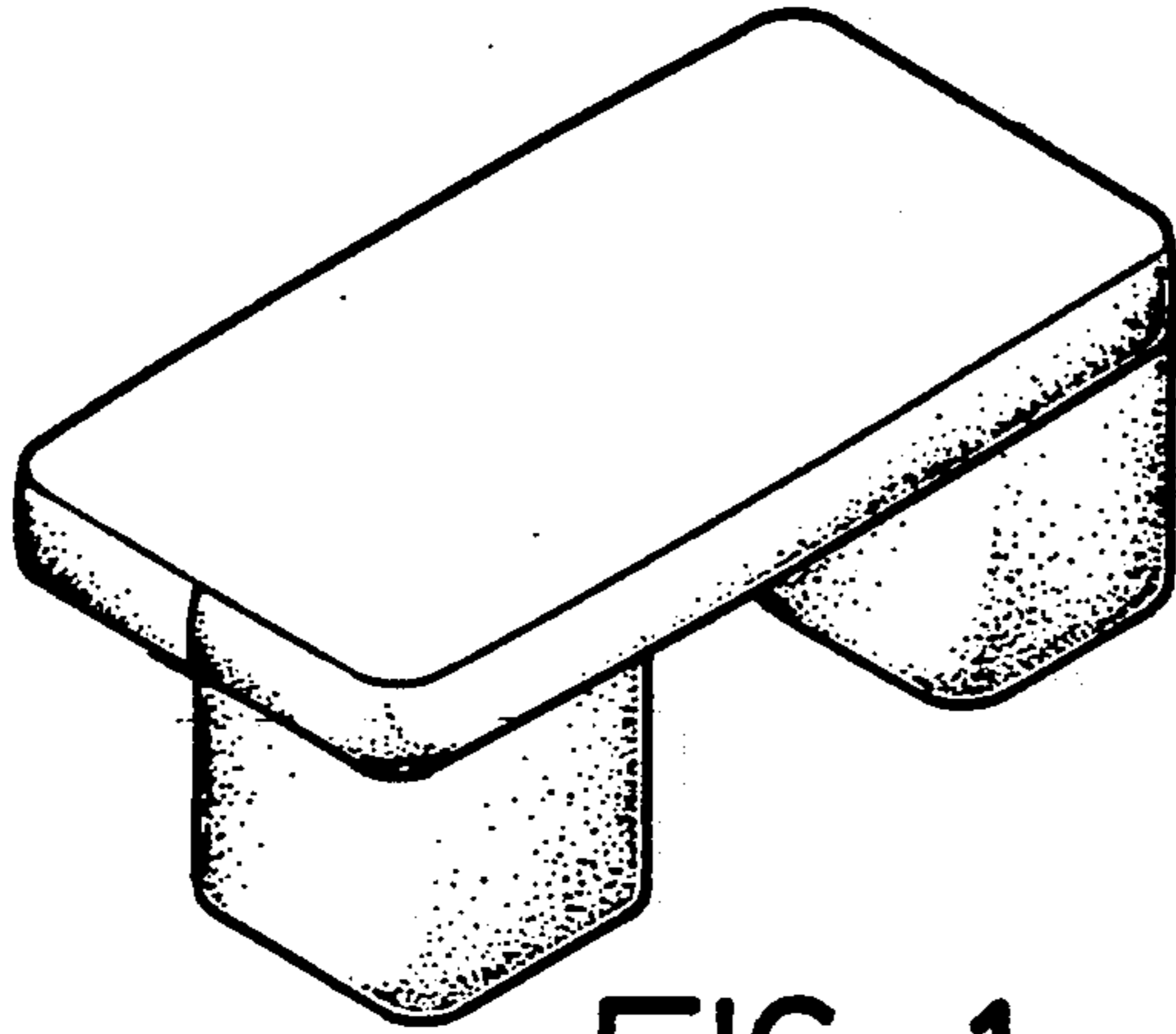


FIG. 1

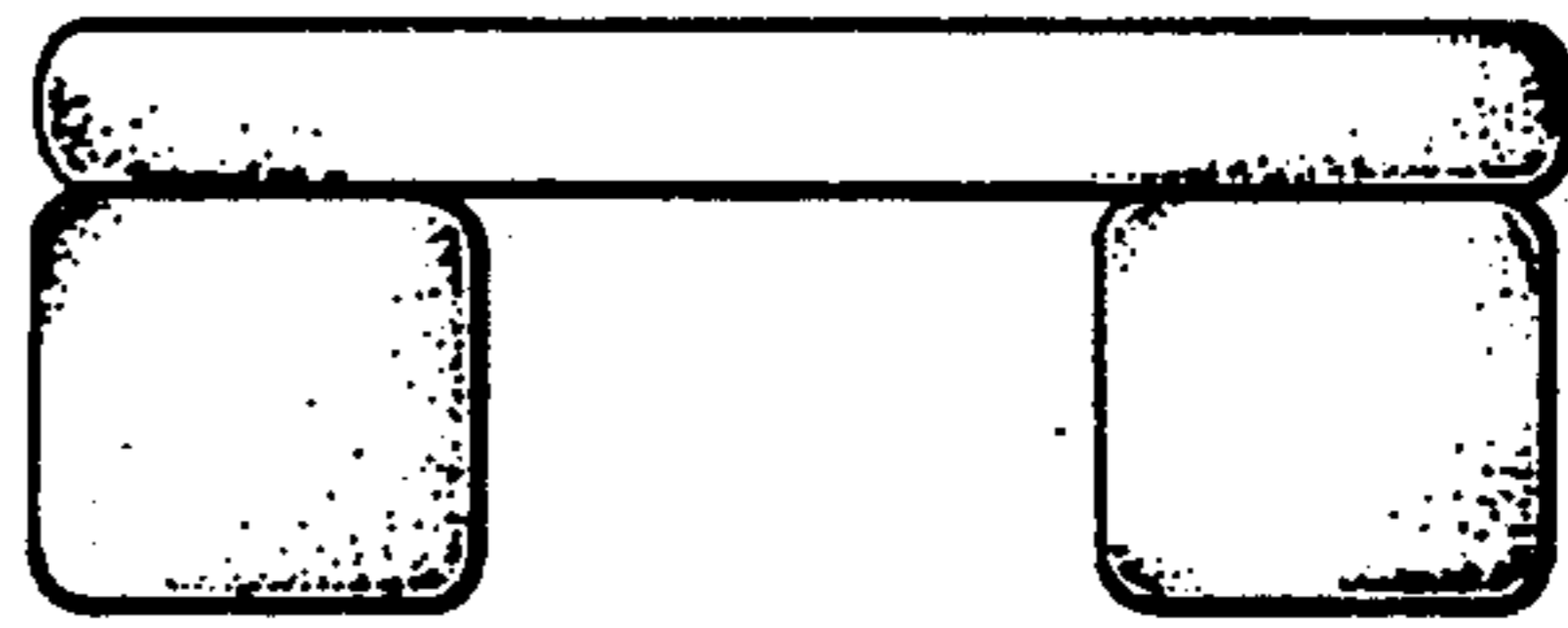


FIG. 2

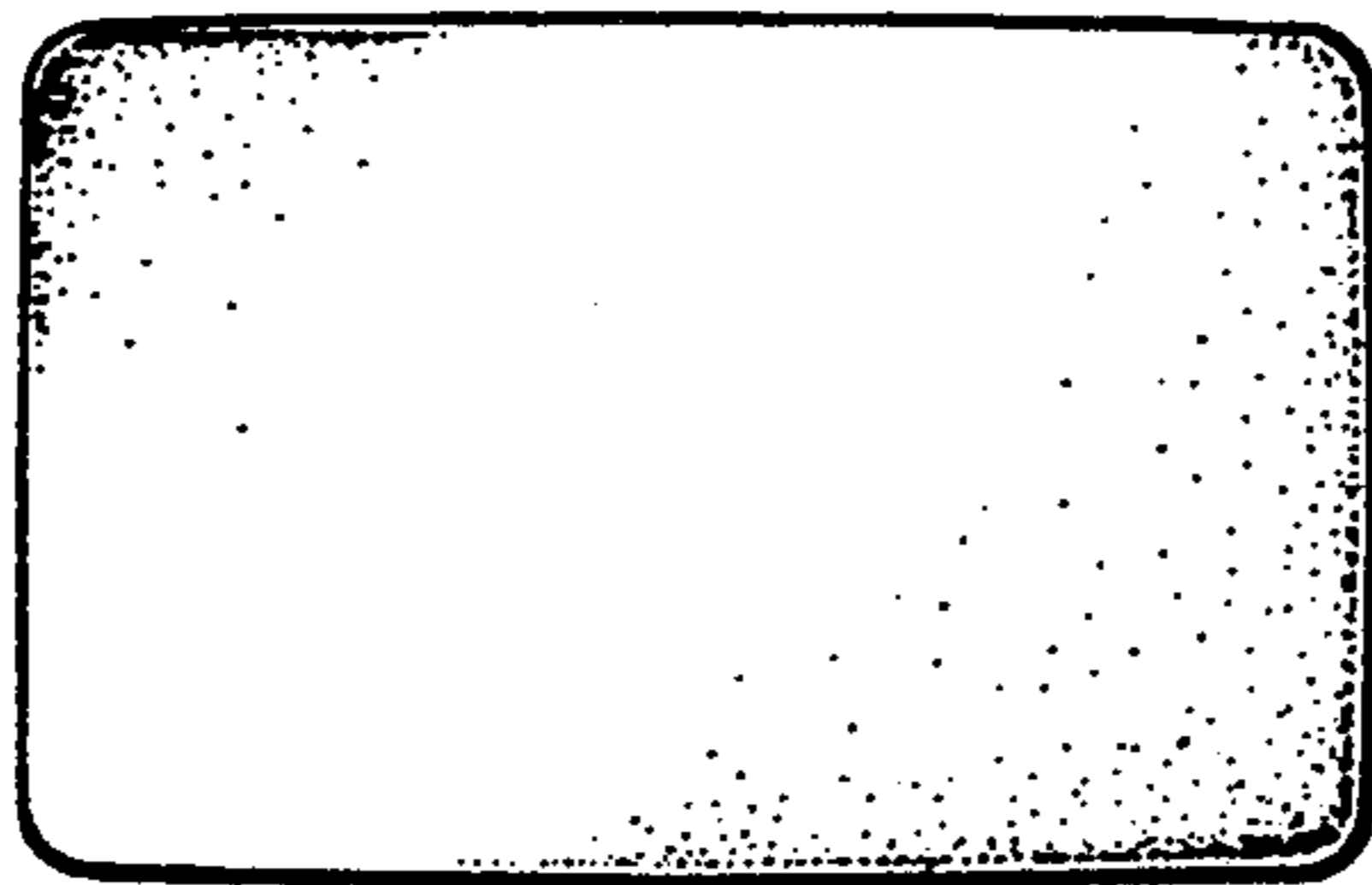


FIG. 3

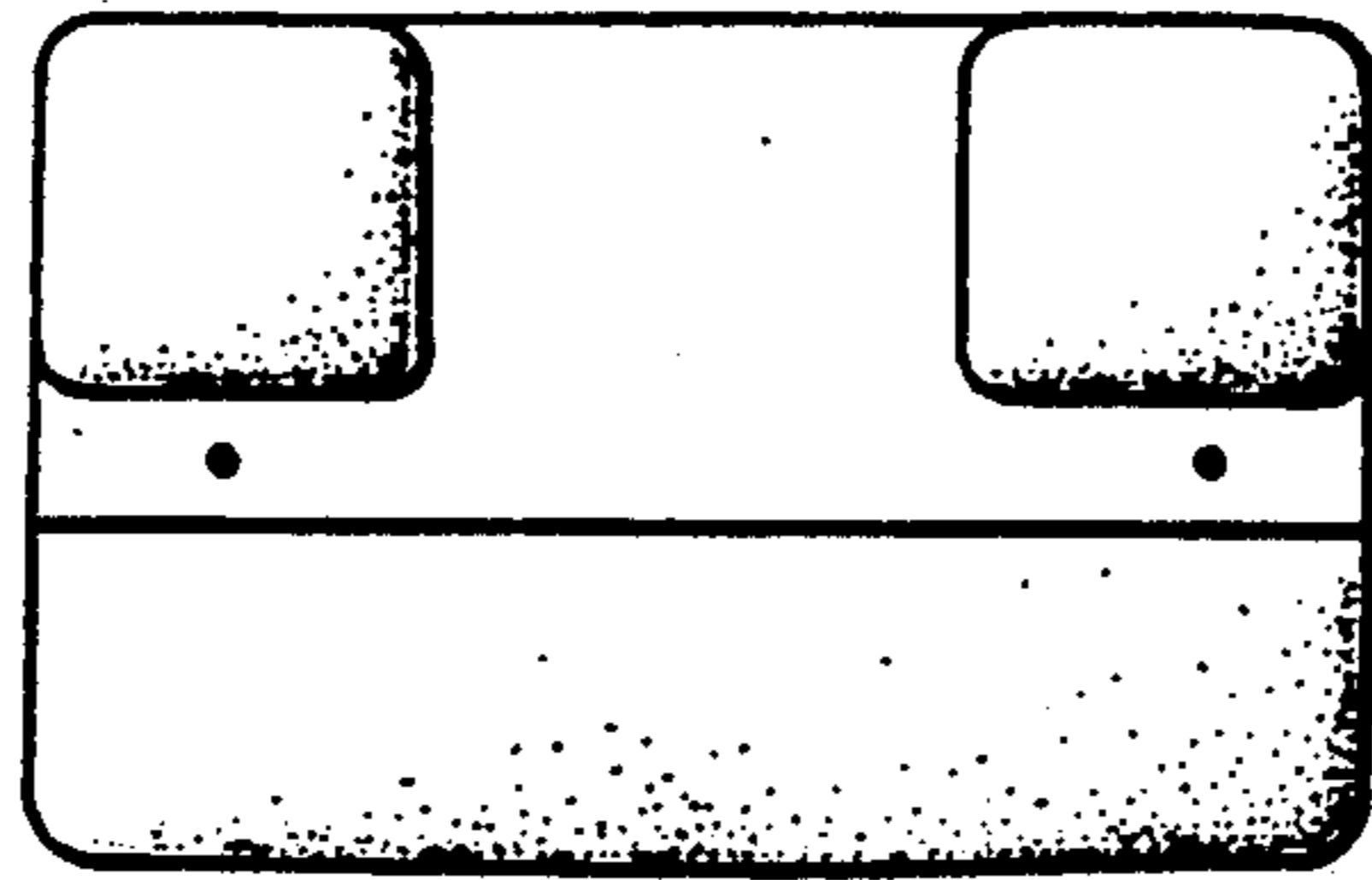


FIG. 4

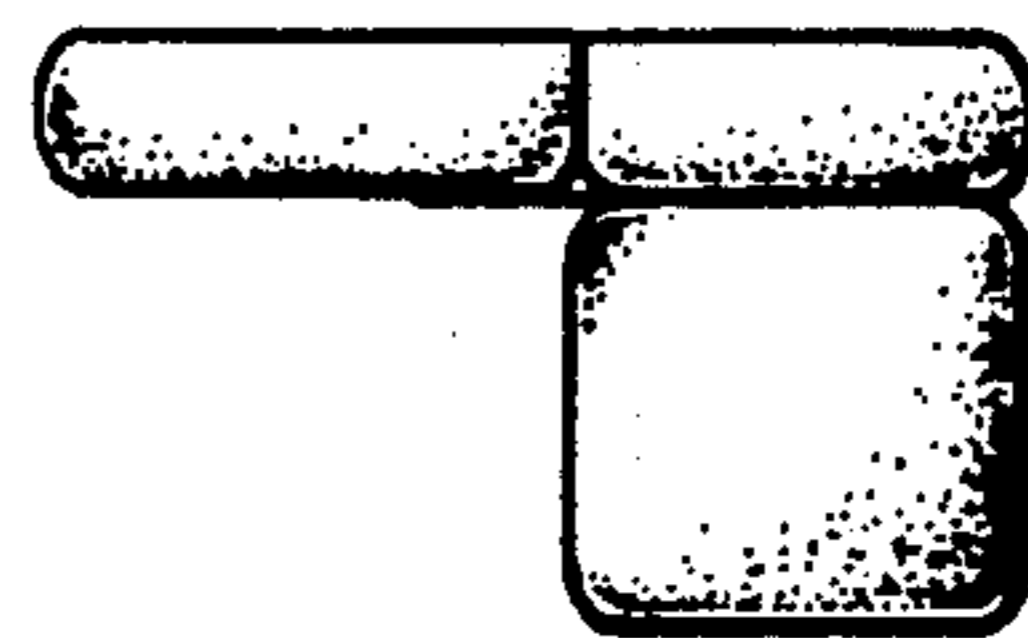


FIG. 5

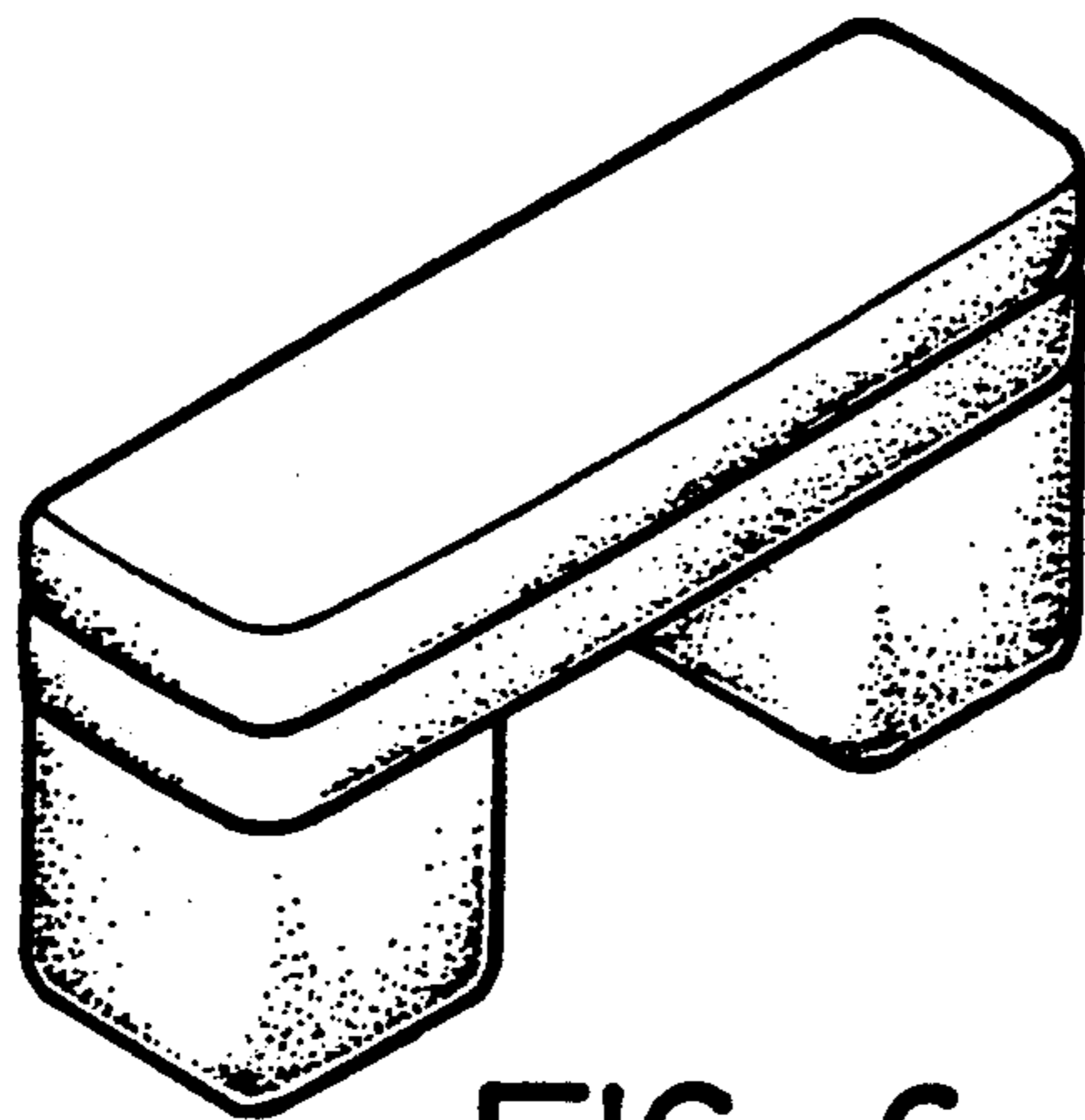


FIG. 6

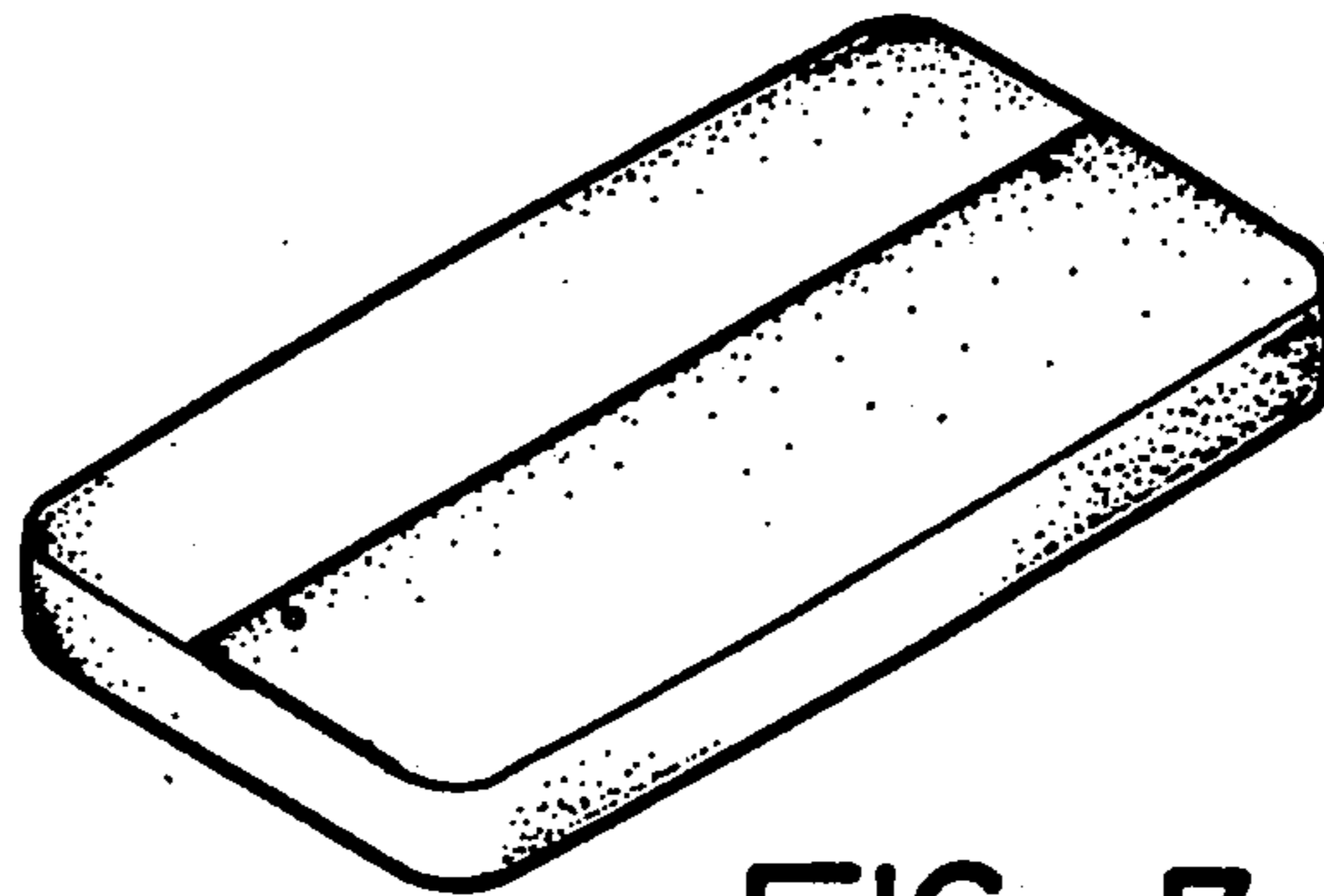


FIG. 7