

United States Patent [19]

Kee

[11] Patent Number: Des. 316,193

[45] Date of Patent: ** Apr. 16, 1991

[54] BLANKET RACK

[75] Inventor: Peter M. Y. Kee, Happy Valley, Hong Kong

[73] Assignee: Rosalco, Inc., Louisville, Ky.

[**] Term: 14 Years

[21] Appl. No.: 428,652

[22] Filed: Nov. 20, 1989

D. 204,847 5/1966 Hill D6/410
D. 234,016 12/1974 Smilowitz D6/410
D. 263,436 3/1982 Greenwood D6/410

OTHER PUBLICATIONS

Beagle Manufacturing Co., Inc., Catalog, p. 25, #6096.
Best Catalog 1985/1986, Item 17.
Furniture/Today; Apr. 18, 1988, far right.

Primary Examiner—Bruce W. Dunkins
Assistant Examiner—Jeffrey Asch
Attorney, Agent, or Firm—Rhodes, Coats & Bennett

Related U.S. Application Data

[62] Division of Ser. No. 295,566, Jan. 10, 1989.

[52] U.S. Cl. D6/413; D6/410;
D6/462

[58] Field of Search D6/462, 464, 465, 474,
D6/477, 479, 410, 411, 467, 413; 211/182

References Cited

U.S. PATENT DOCUMENTS

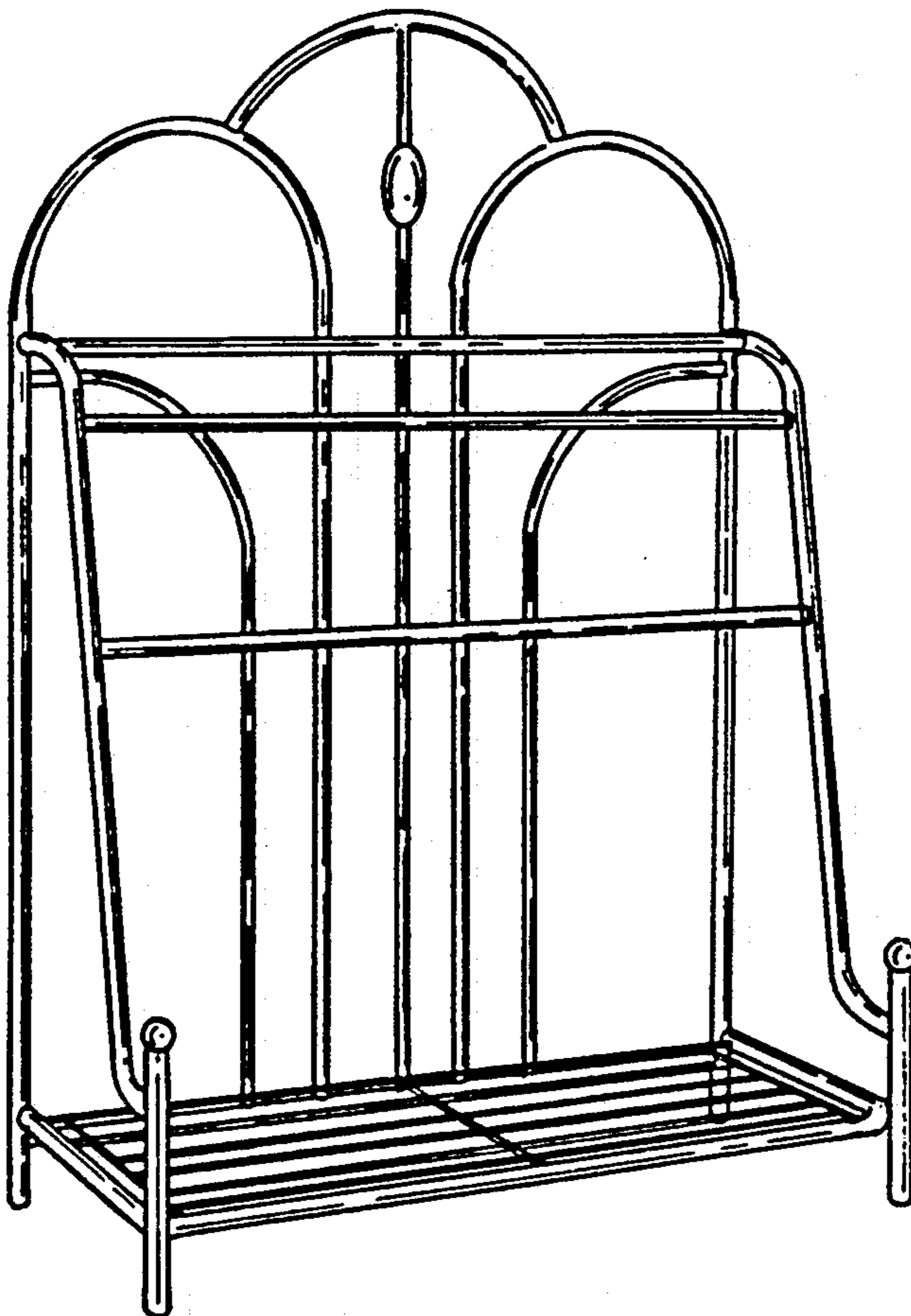
D. 91,026 11/1933 Guild D6/410
D. 142,304 8/1945 Marchand D6/410

CLAIM

[57] The ornamental design for blanket rack, as shown and described.

DESCRIPTION

FIG. 1 is a front perspective view of a blanket rack showing my new design;
FIG. 2 is a rear perspective view of the blanket rack of FIG. 1; and
FIG. 3 is a front elevational view of the blanket rack of FIG. 1.



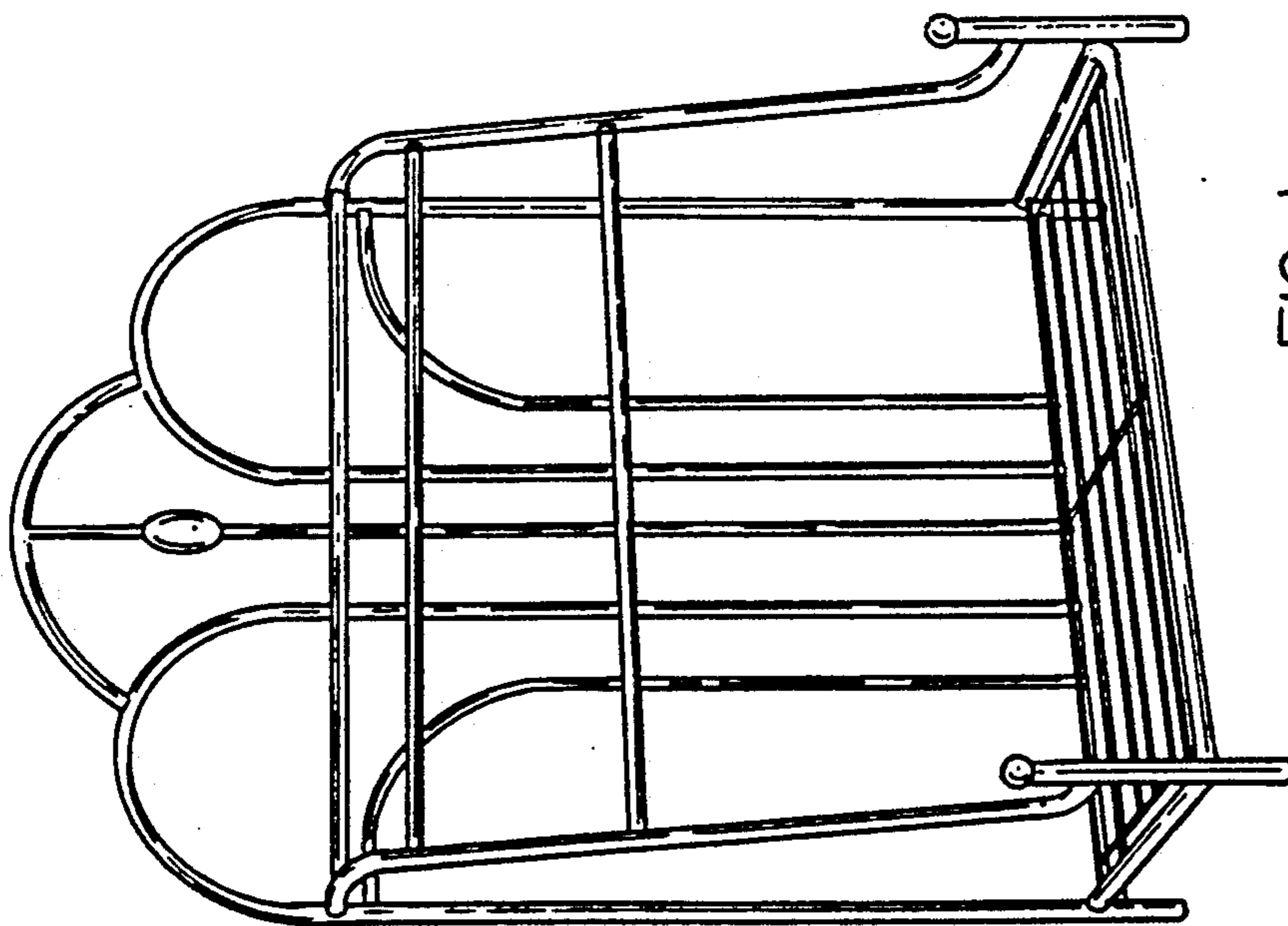


FIG. 1

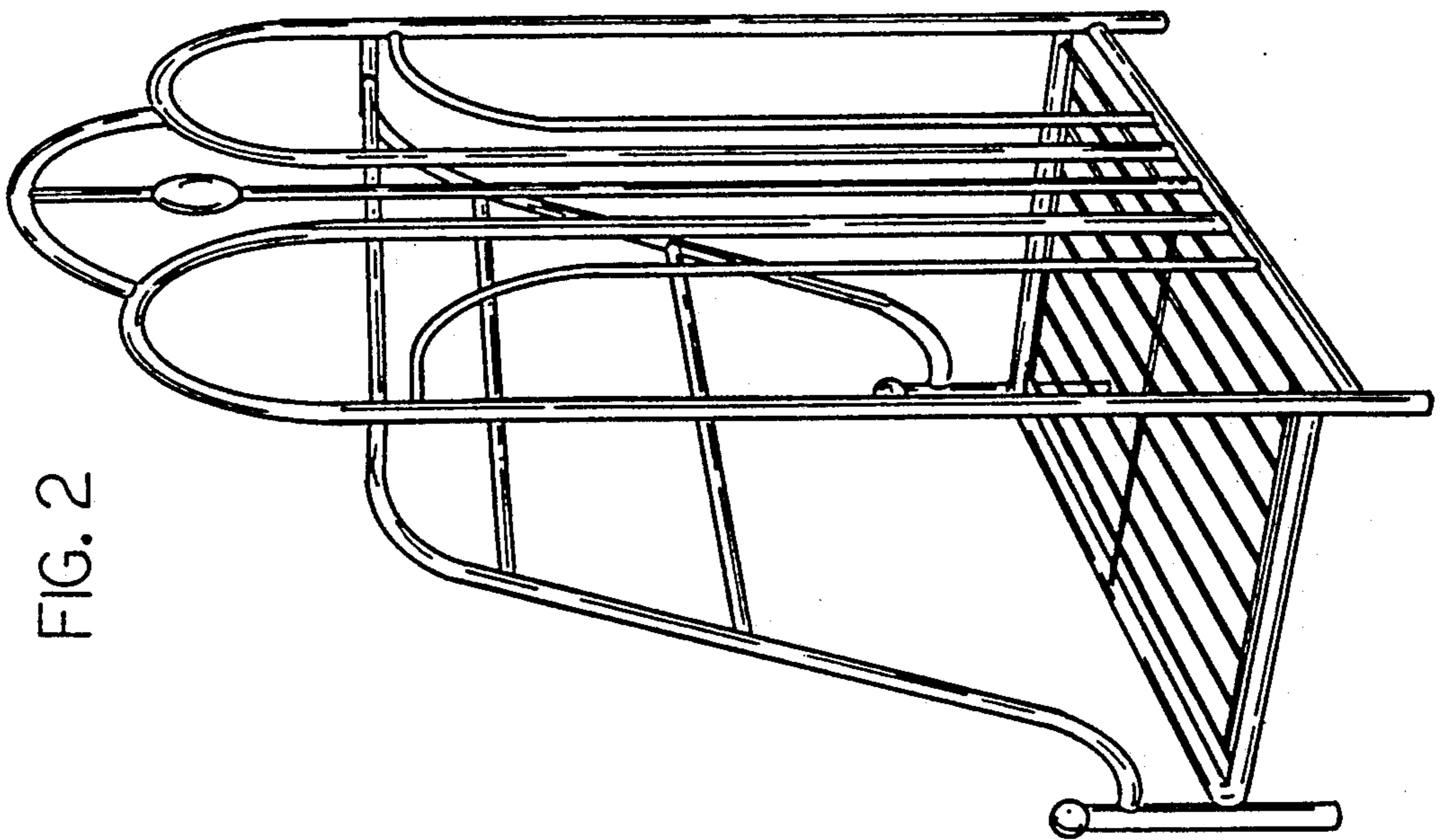


FIG. 2

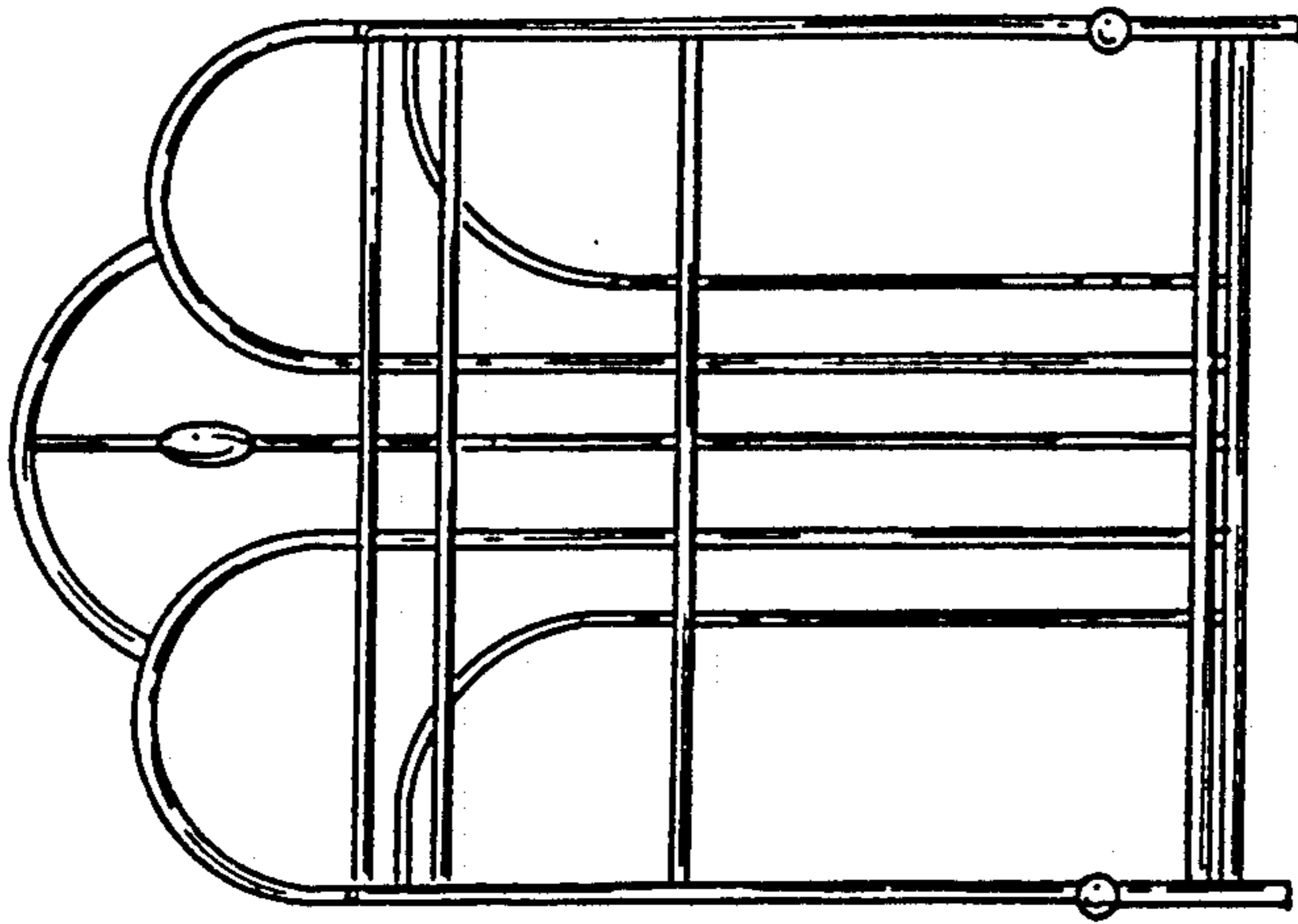


FIG. 3