

[54] COMBINED PORTABLE SEAT AND CARRYING CASE

D. 172,201 5/1954 Staveley D6/335
D. 216,879 3/1970 Petersen et al. D6/368
D. 273,926 5/1984 Byrns et al. D6/502

[75] Inventor: Yiftah Sadan, Beit Zera, Israel

Primary Examiner—Bruce W. Dunkins
Assistant Examiner—J. H. Musgrove
Attorney, Agent, or Firm—Ostrolenk, Faber, Gerb & Soffen

[73] Assignee: Ar-Kal Plastics Products Beit Zera (1973), Israel

[**] Term: 14 Years

[57] CLAIM

[21] Appl. No.: 98,512

The ornamental design for a combined portable seat and carrying case, as shown and described.

[22] Filed: Sep. 18, 1987

DESCRIPTION

[30] Foreign Application Priority Data

Mar. 22, 1987 [IL] Israel 12393
[52] U.S. Cl. D6/335
[58] Field of Search D6/335, 368, 502

FIG. 1 is a perspective view of the combined portable seat and carrying case showing my new design;
FIG. 2 is a side view thereof on an enlarged scale the opposite side being a mirror image thereof;
FIG. 3 is an end view on an enlarged scale, the opposite end being a mirror image thereof;
FIG. 4 is a top plan view on an enlarged scale thereof; and
FIG. 5 is a bottom plan view on an enlarged scale thereof.

[56] References Cited

U.S. PATENT DOCUMENTS

D. 54,343 12/1919 White D6/368
D. 141,231 5/1945 Walker D6/368
D. 167,514 8/1952 Hicks D6/368

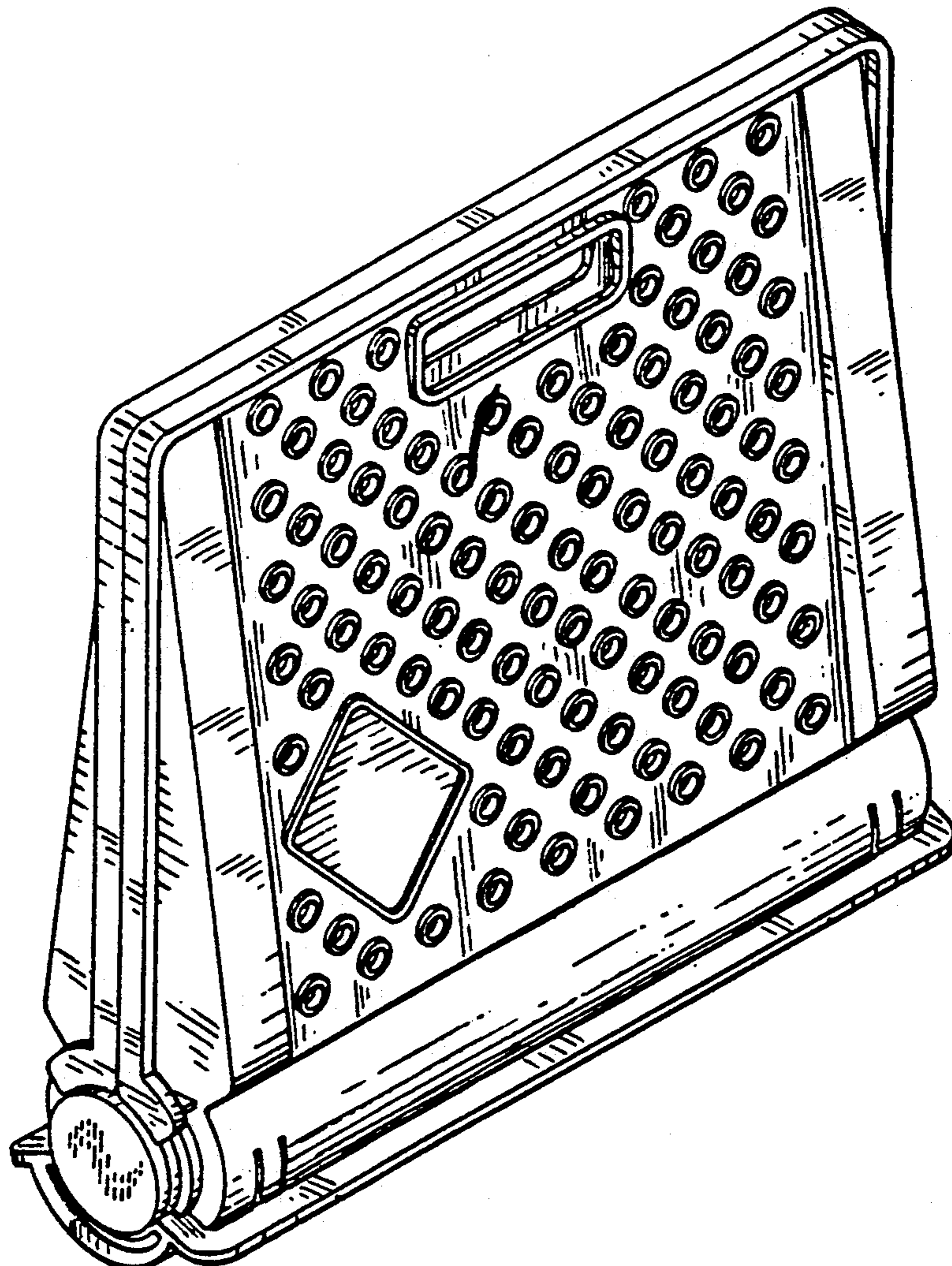


FIG. 1

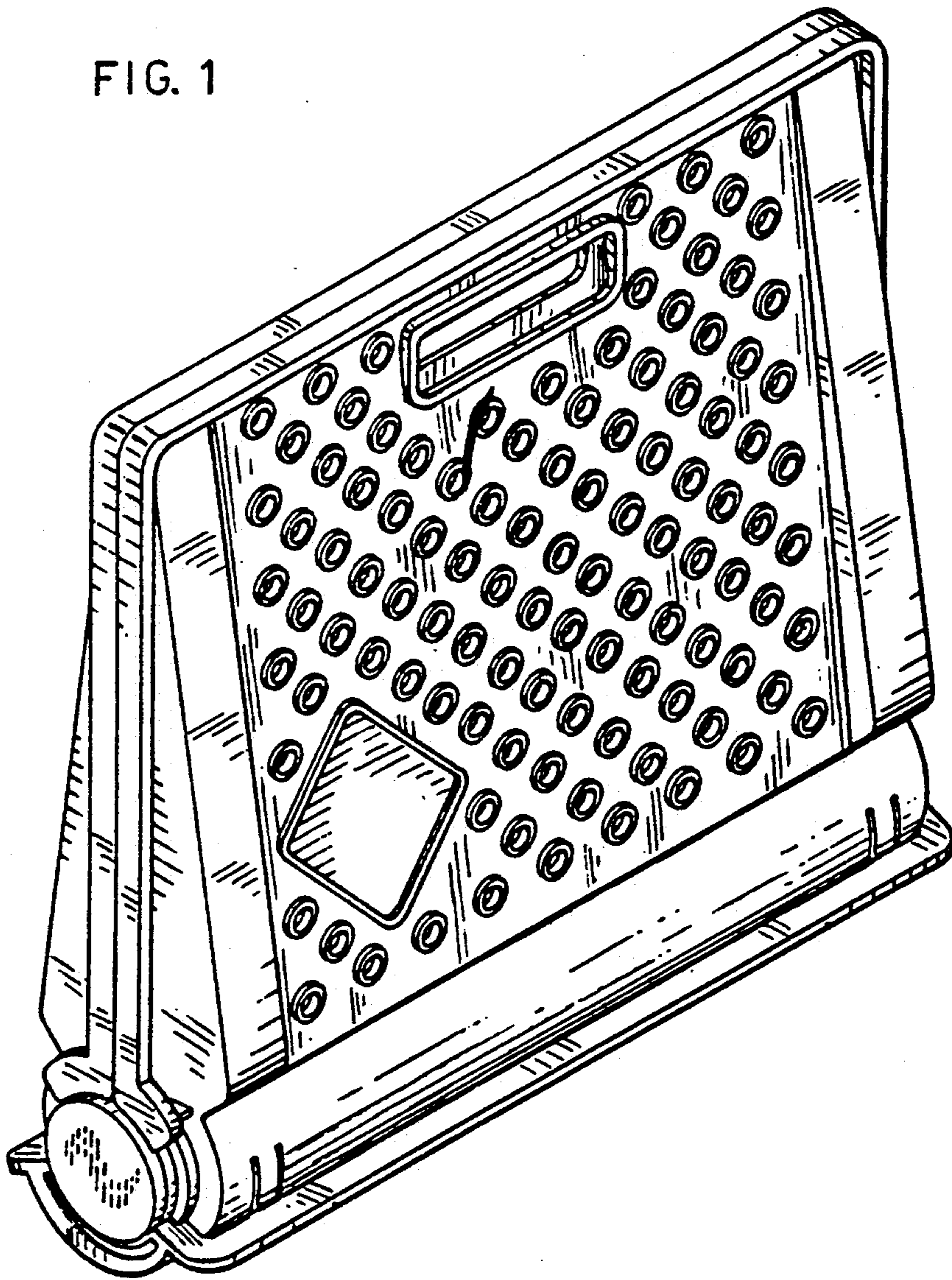


FIG. 2

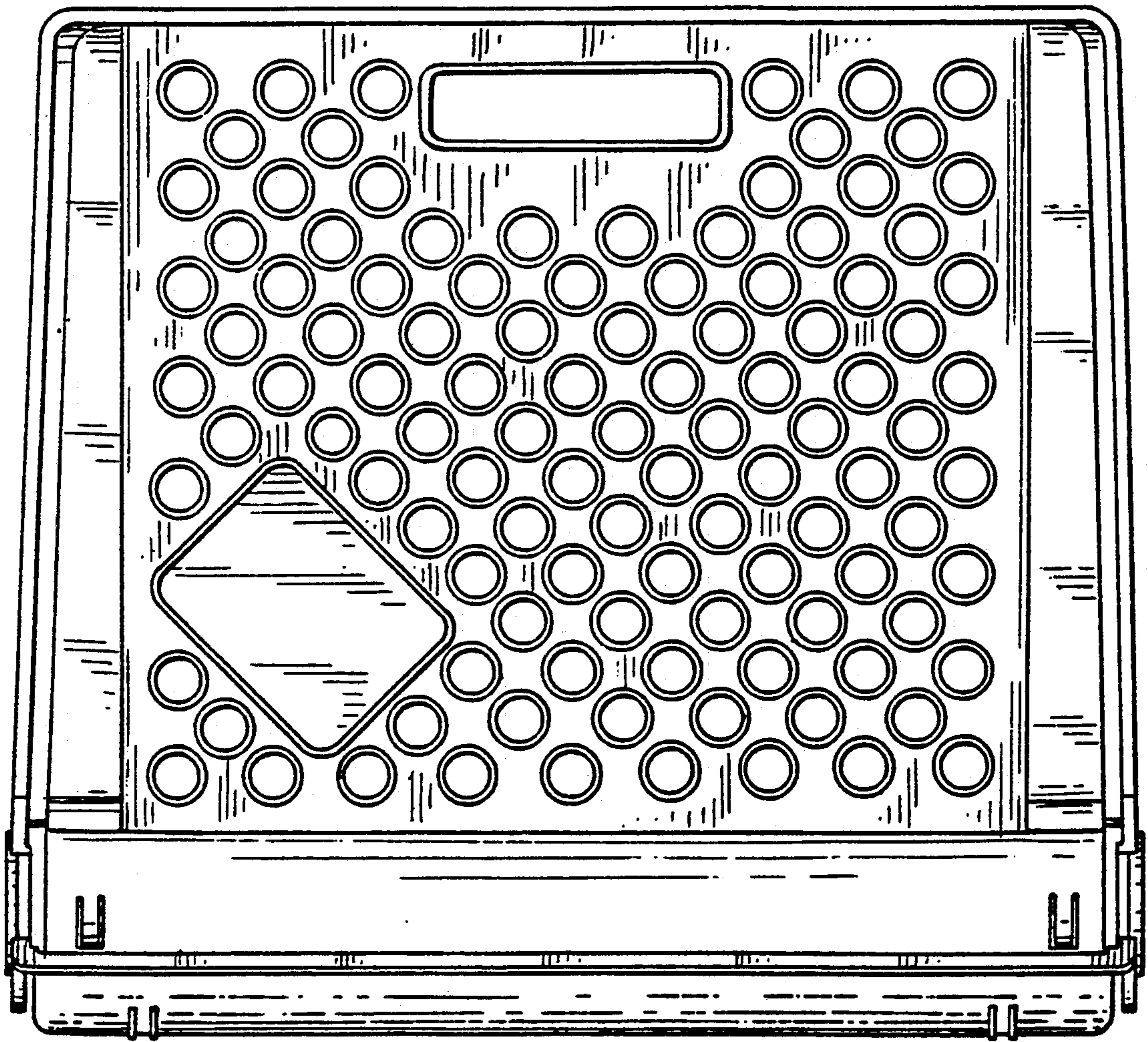


FIG. 3

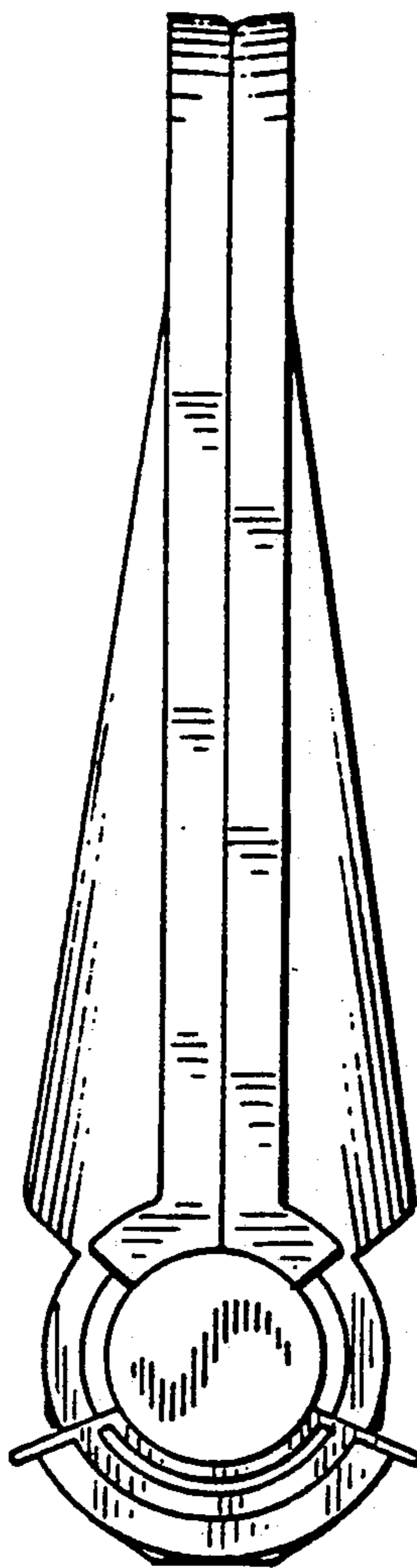


FIG. 4

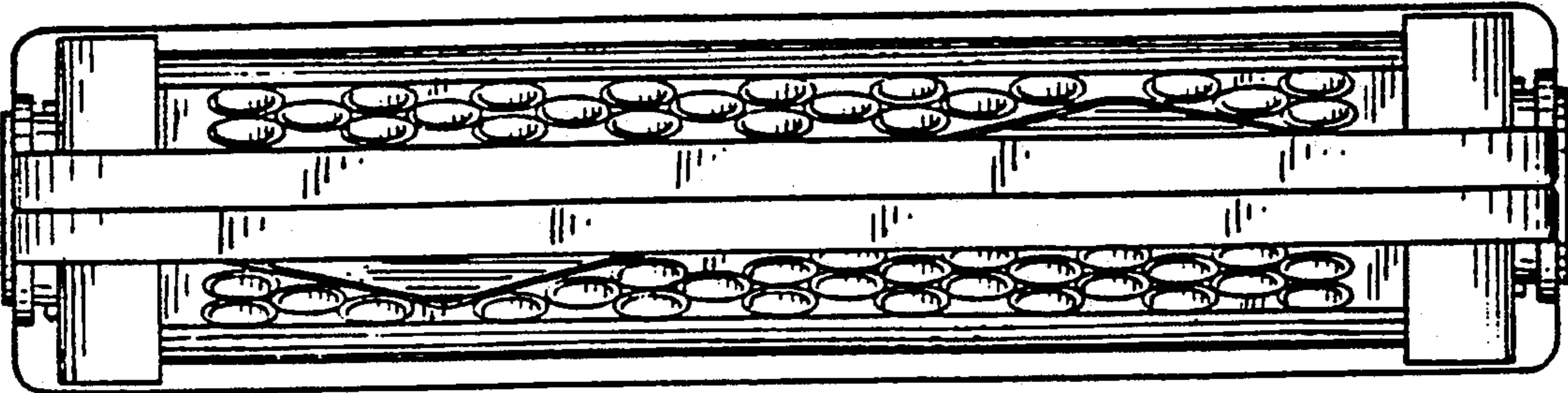


FIG. 5

