

[54] **DISKETTE MAILER**

[75] **Inventor: J. T. Clifton, Elginburg, Canada**

[73] **Assignee: Pacware Systems, a Div of 166117  
Canada, Inc., Ottawa, Canada**

[\*\*] **Term: 14 Years**

[21] **Appl. No.: 514,565**

[22] **Filed: Apr. 26, 1990**

[30] **Foreign Application Priority Data**

Mar. 14, 1990 [CA] Canada ..... 14-03-90-2

[52] **U.S. Cl. .... D3/35; D3/30.1;  
D9/423; D19/26**

[58] **Field of Search ..... D3/30.1, 35, 36, 38,  
D3/39, 44, 49, 53, 71, 72, 73, 74, 75, 78, 79, 99;  
D9/337, 473, 432, 425; D19/26, 28, 76, 92;  
150/147; 190/11, 16; 206/45, 45.13, 45.23, 214,  
310, 312, 313, 373, 387, 412, 425, 444, 472, 561;  
211/55; 220/4.23, 4.21, 501, 520, 555; 224/205;  
294/149, 150; 360/133**

[56] **References Cited**

**U.S. PATENT DOCUMENTS**

D. 271,063 10/1983 Compton ..... D19/28  
D. 281,056 10/1985 de la Tour ..... D3/35

**FOREIGN PATENT DOCUMENTS**

2038164 7/1980 United Kingdom ..... 206/387

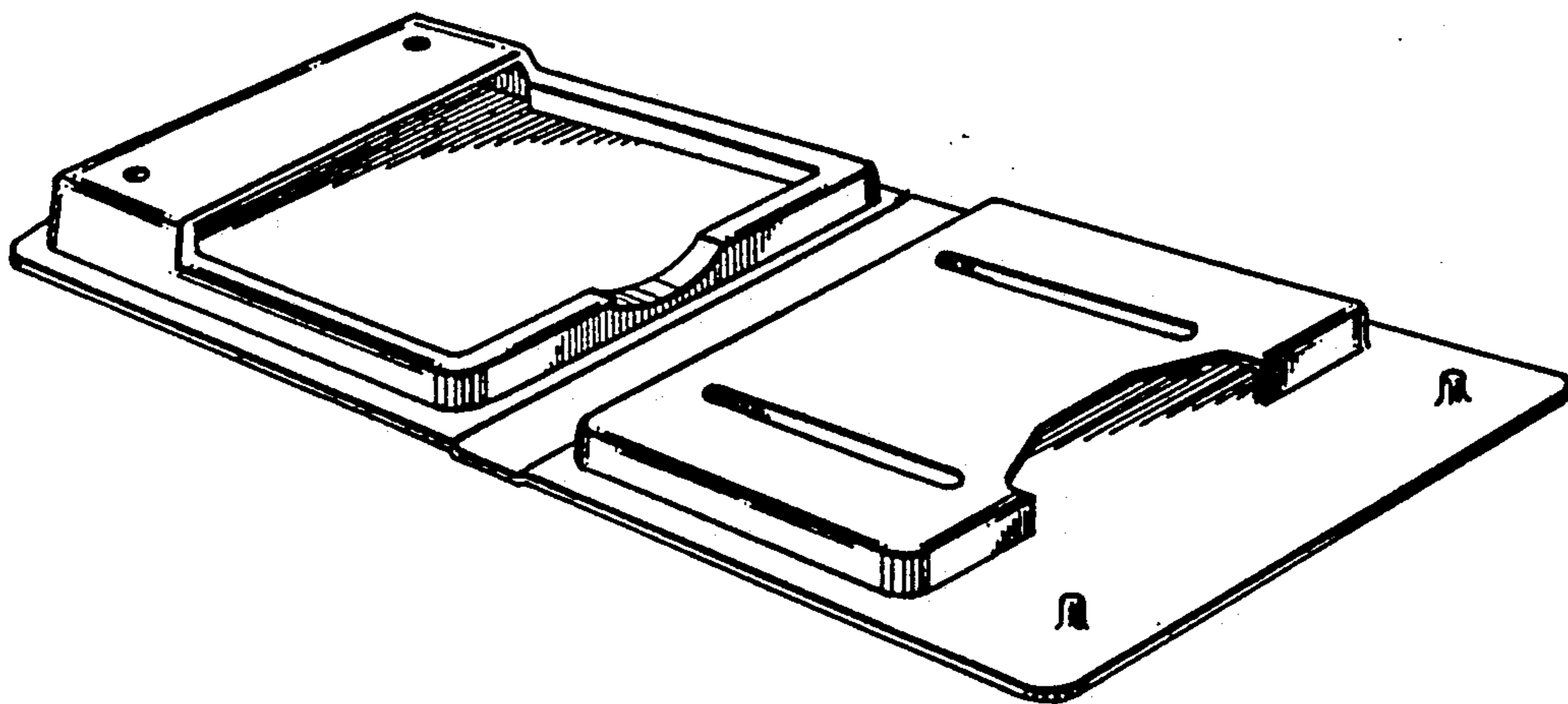
*Primary Examiner*—A. Hugo Word  
*Assistant Examiner*—Celia A. Murphy  
*Attorney, Agent, or Firm*—Perry Carvellas

[57] **CLAIM**

The ornamental design for a diskette mailer, as shown and described.

**DESCRIPTION**

FIG. 1 is an inside perspective view of a diskette mailer showing my new design in an open position; FIG. 2 is an outside perspective view thereof; and FIG. 3 is an outside perspective view thereof, shown closed.



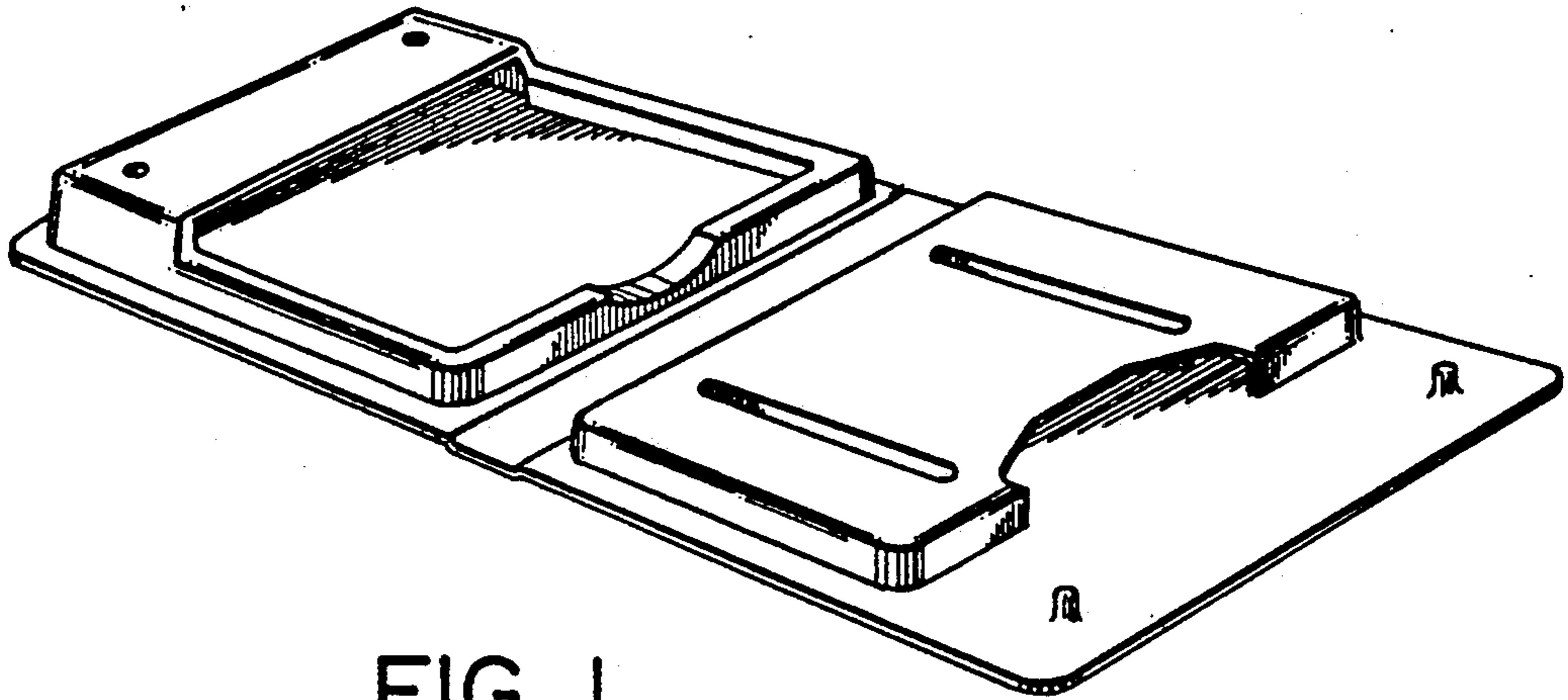


FIG. 1

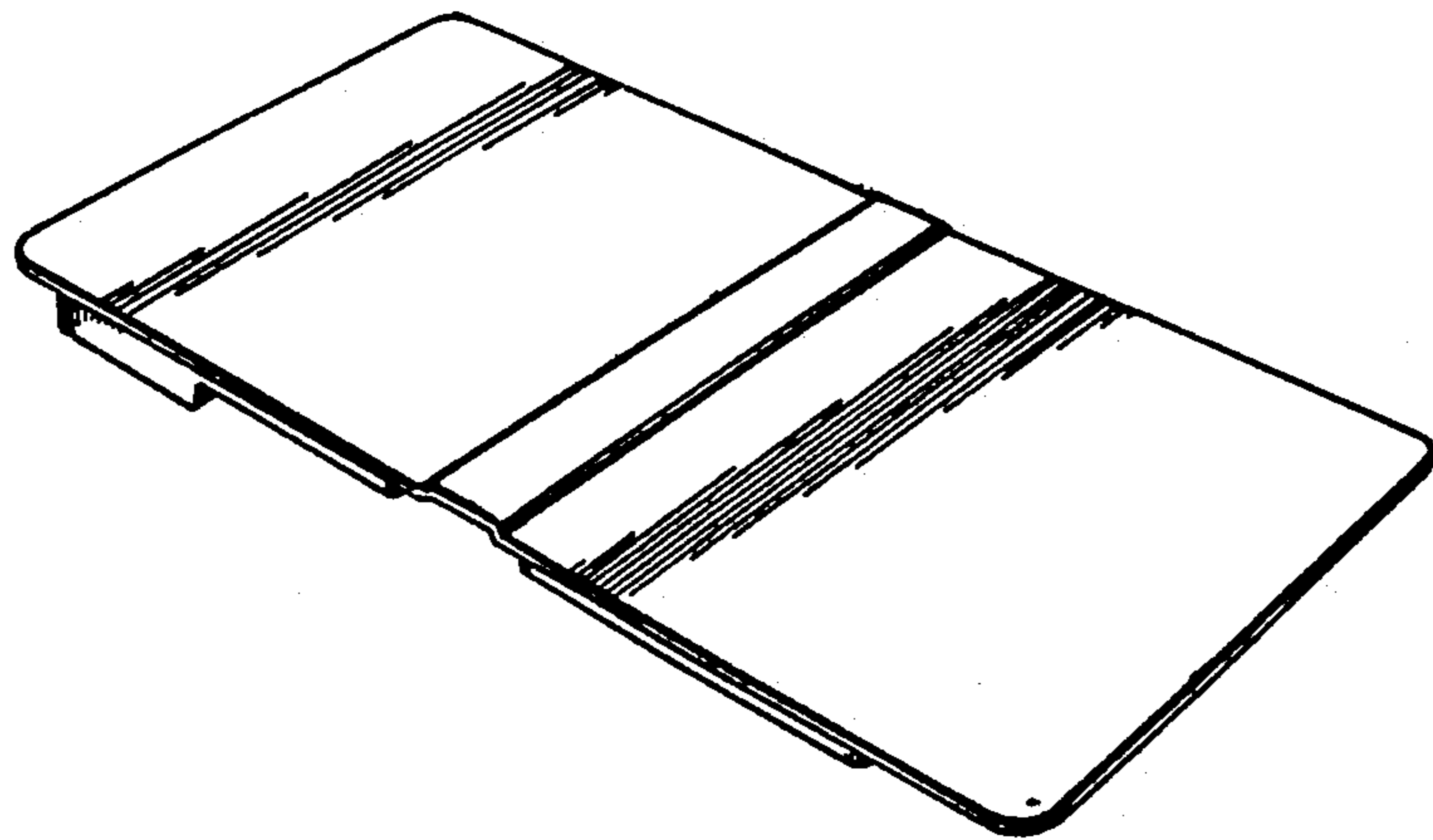


FIG. 2

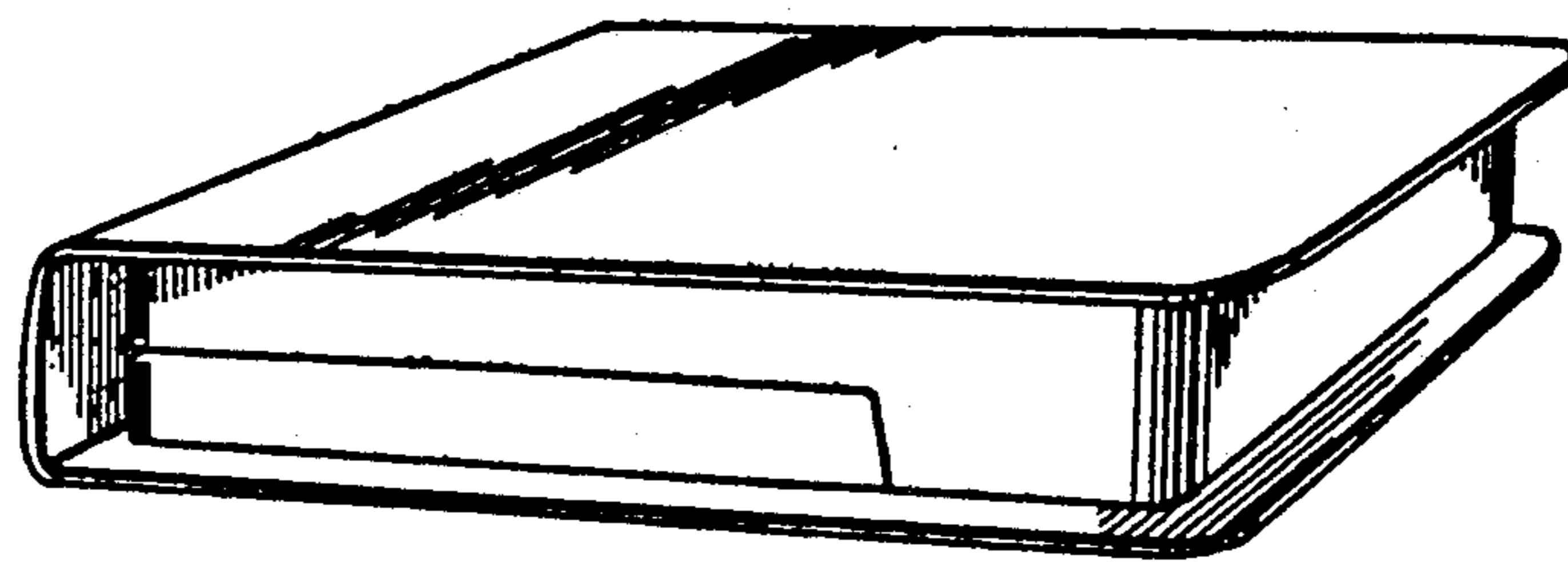


FIG. 3