

[54] CASE FOR MAGNETIC TAPE CASSETTES

[75] Inventor: Noboru Uemura, Odawara, Japan

[73] Assignee: TDK Corporation, Tokyo, Japan

[\*\*] Term: 14 Years

[21] Appl. No.: 89,850

[22] Filed: Aug. 27, 1987

[52] U.S. Cl. .... D3/35; D7/626

[58] Field of Search ..... D3/35, 30.1, 99, 39; D7/626; 206/387, 425, 545, 549, 541, 543, 544, 570

[56] References Cited

U.S. PATENT DOCUMENTS

- D. 112,730 12/1938 Worthington ..... D7/626
- D. 177,586 1/1956 Palson ..... D3/78
- D. 259,760 7/1981 Lucas et al. .... D3/73 X
- D. 267,370 12/1982 Cline ..... D3/35

- D. 305,809 1/1990 Weber et al. .... D3/39
- 792,183 6/1905 Tideman ..... 190/111 X
- 2,055,657 9/1936 Gordon ..... 206/570 X
- 2,803,373 8/1957 Mundorff ..... 206/544

Primary Examiner—A. Hugo Word  
Assistant Examiner—Doris V. Coles  
Attorney, Agent, or Firm—Fred Philpitt

[57] CLAIM

The ornamental design for a case for magnetic tape cassettes, as shown and described.

DESCRIPTION

FIG. 1 is a perspective view of a case for magnetic tape cassettes, showing my new design;  
FIG. 2 is a front elevational view thereof;  
FIG. 3 is a right side elevation view, the left side being a mirror image thereof;  
FIG. 4 is a rear elevational view thereof;  
FIG. 5 is a top plan view thereof; and  
FIG. 6 is a bottom plan view thereof.

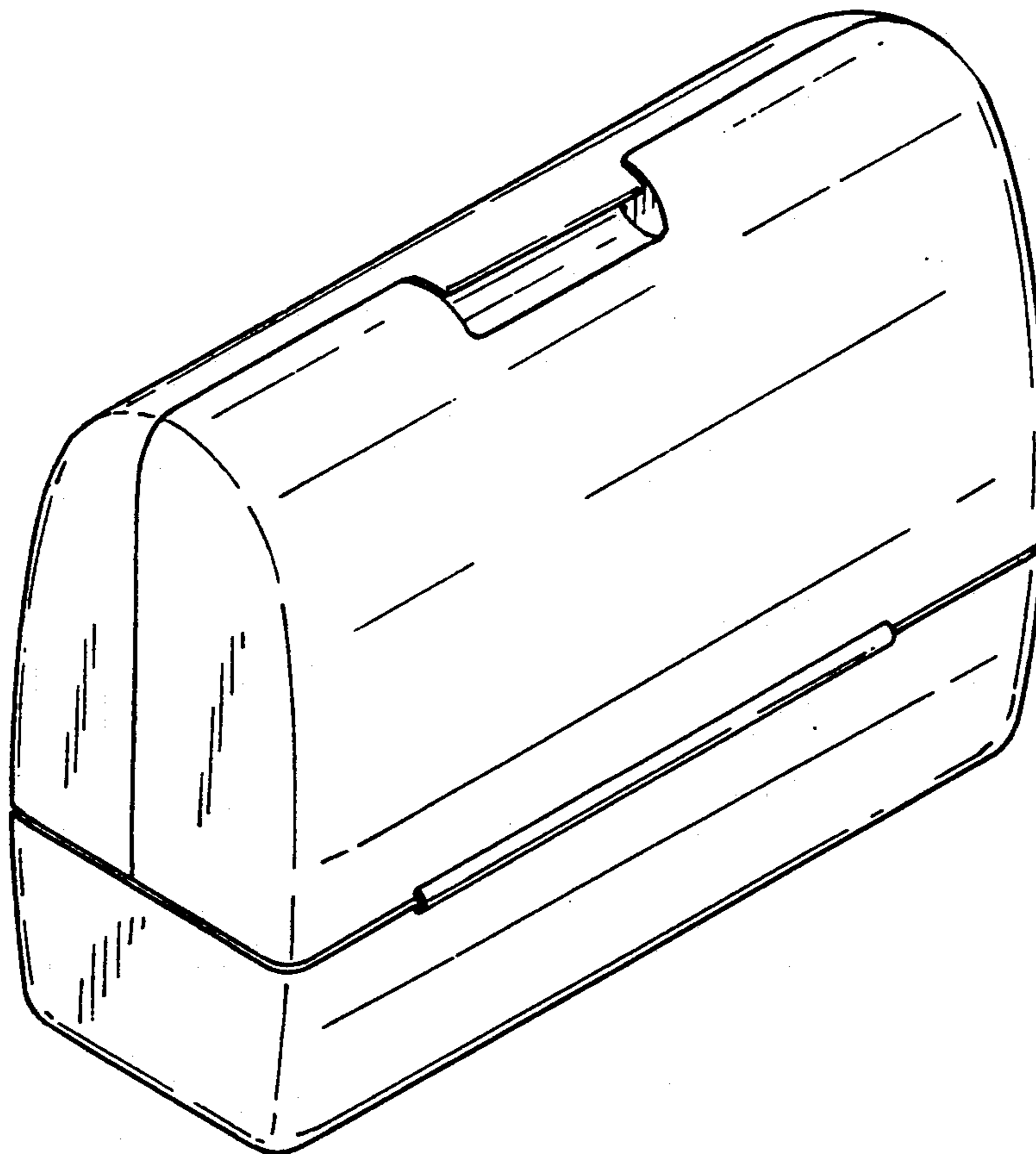


FIG. 1

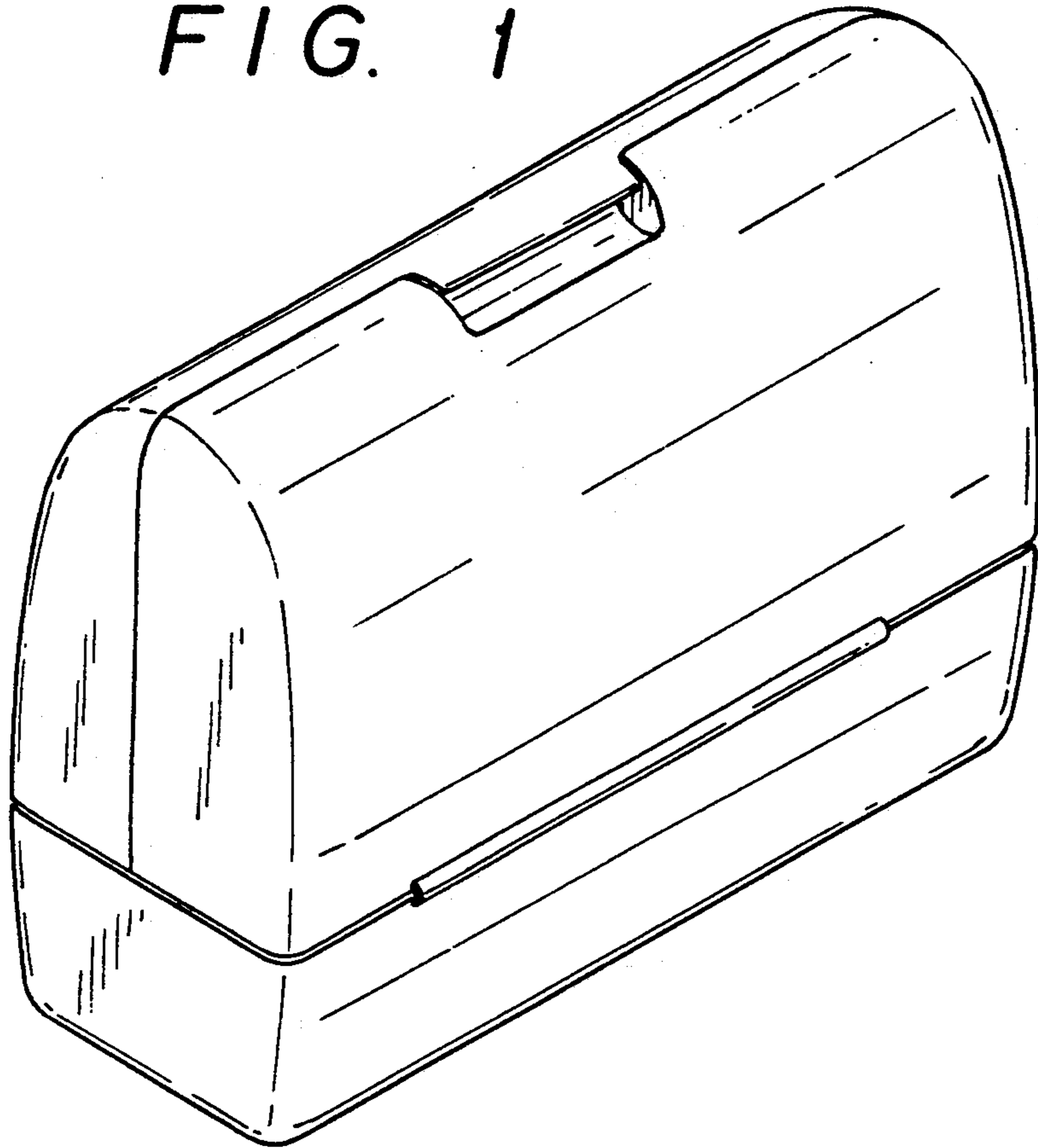


FIG. 2

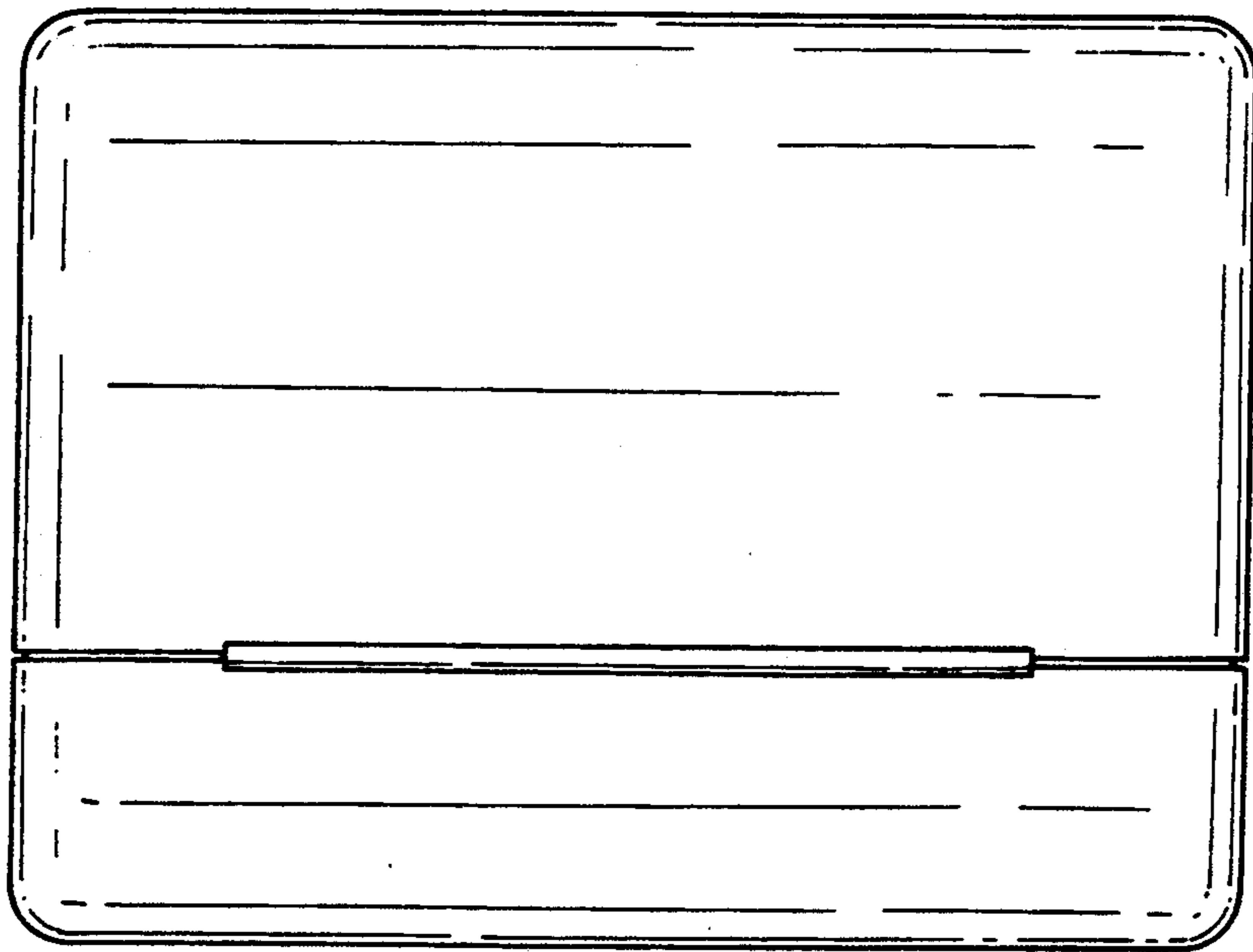


FIG. 3

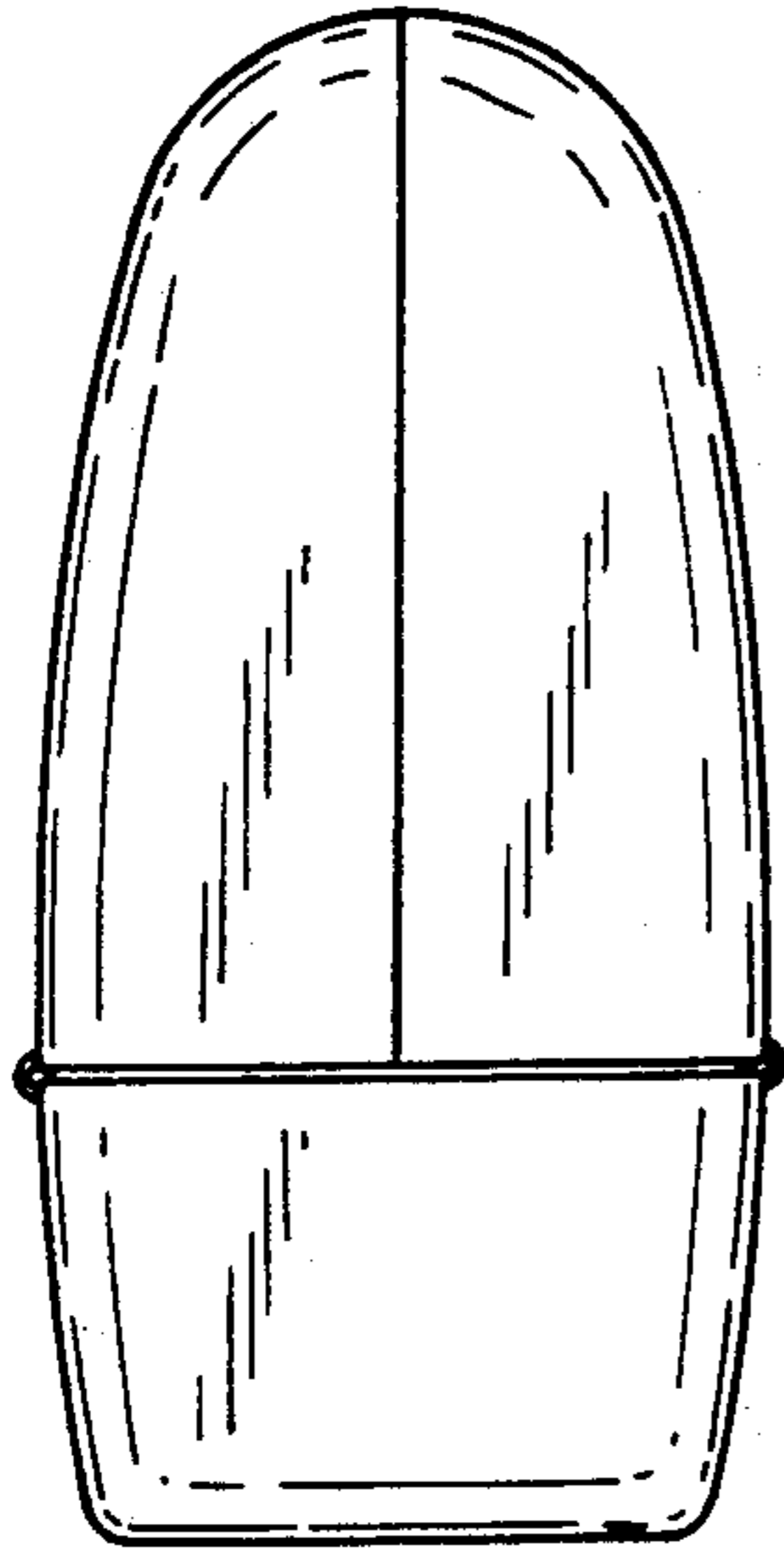


FIG. 4

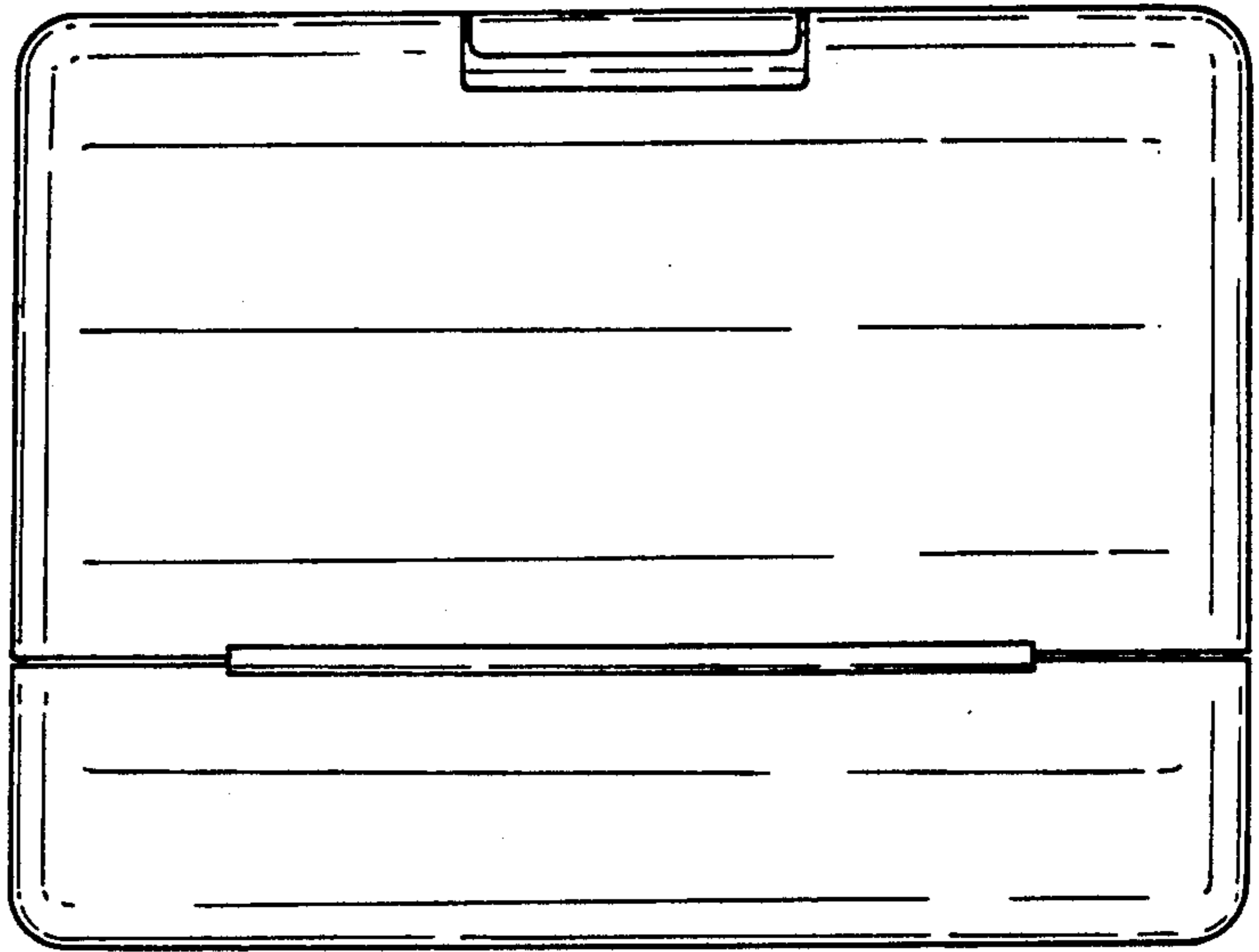


FIG. 5

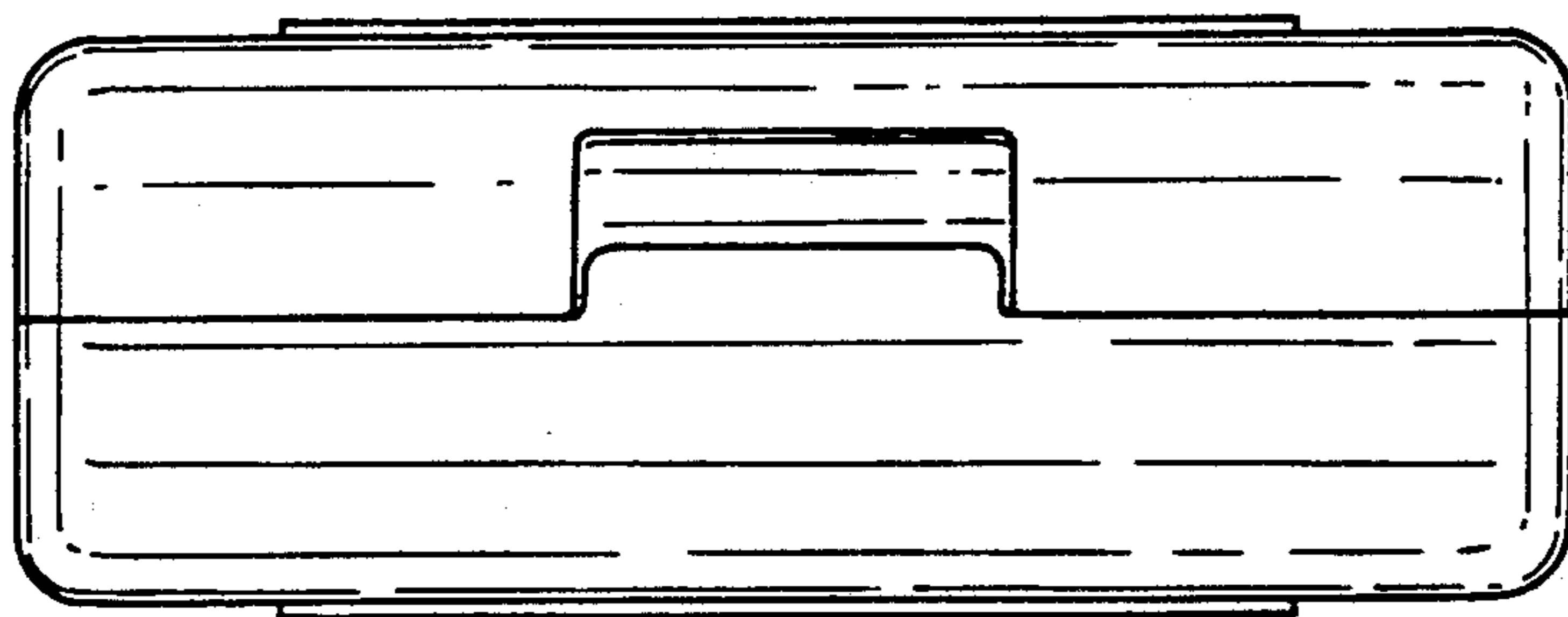


FIG. 6

