

[54] GLOVE DONNING AID

[75] Inventor: Dan E. Fischer, Sandy, Utah

[73] Assignee: Ultradent Products Inc., Salt Lake City, Utah

[**] Term: 14 Years

[21] Appl. No.: 107,035

[22] Filed: Oct. 9, 1987

[52] U.S. Cl. D2/641

[58] Field of Search D2/641, 642; 223/111-119

[56] References Cited

U.S. PATENT DOCUMENTS

D. 275,239	8/1984	Raso	D2/641
1,938,685	12/1933	Breuls et al.	223/111
1,996,377	4/1935	Hinchen	223/111
2,982,453	3/1961	Zicarelli	223/112
4,002,276	1/1977	Poncy et al.	223/111

4,228,935	10/1980	Madray	223/111
4,238,061	12/1980	Marchetti et al.	223/111

Primary Examiner—Louis S. Zarfes
Attorney, Agent, or Firm—Workman, Nydegger & Jensen

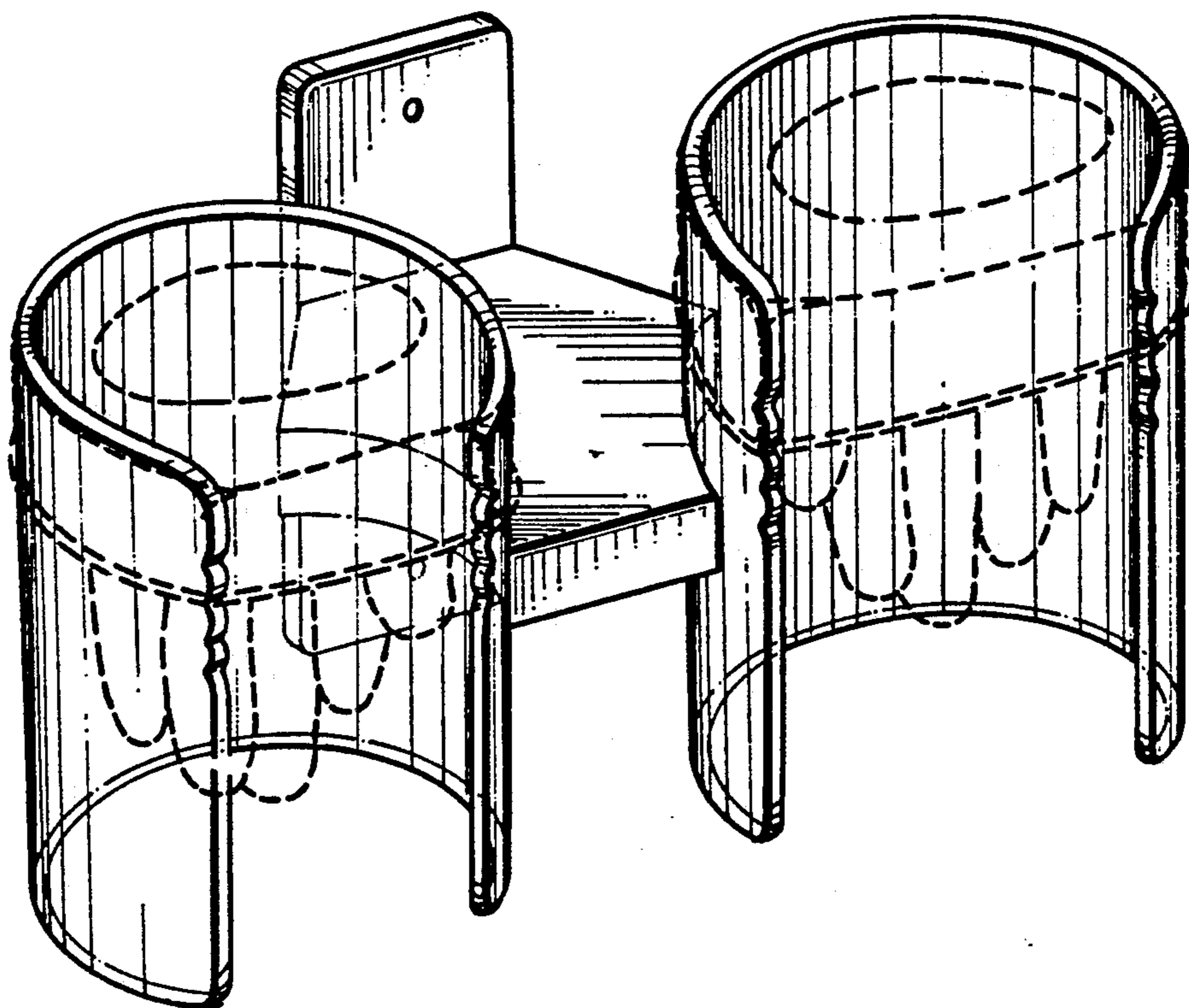
[57] CLAIM

The ornamental design for a glove donning aid, as shown and described.

DESCRIPTION

FIG. 1 is a perspective view of a glove donning aid showing my new design;
FIG. 2 is a top plan view;
FIG. 3 is a front elevational view;
FIG. 4 is a bottom plan view;
FIG. 5 is a rear elevational view;
FIG. 6 is a left side elevational view; and
FIG. 7 is a right side elevational view.

The broken line showing of gloves in FIG. 1 is for illustrative purposes only and forms no part of the claimed design.



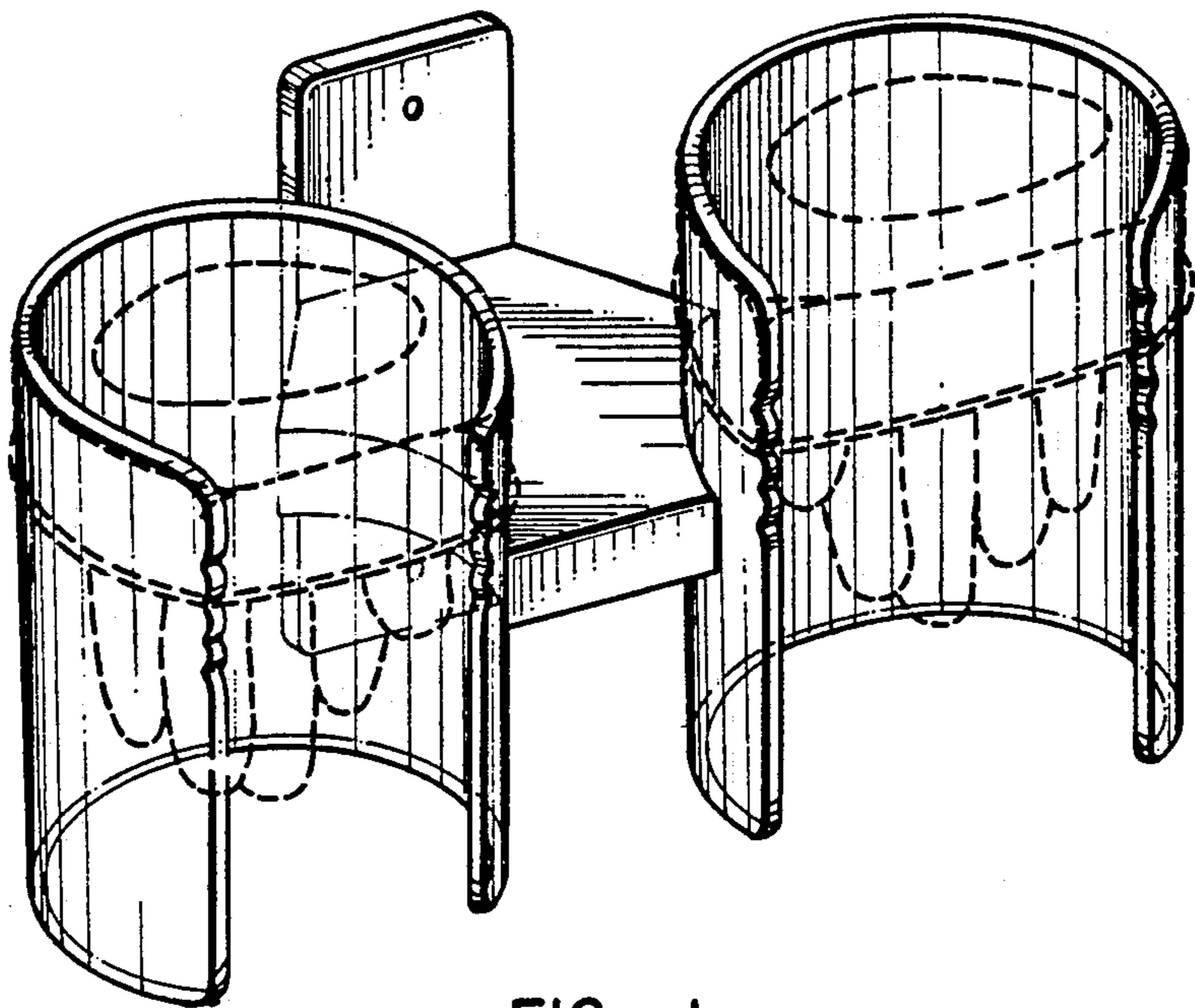


FIG. 1

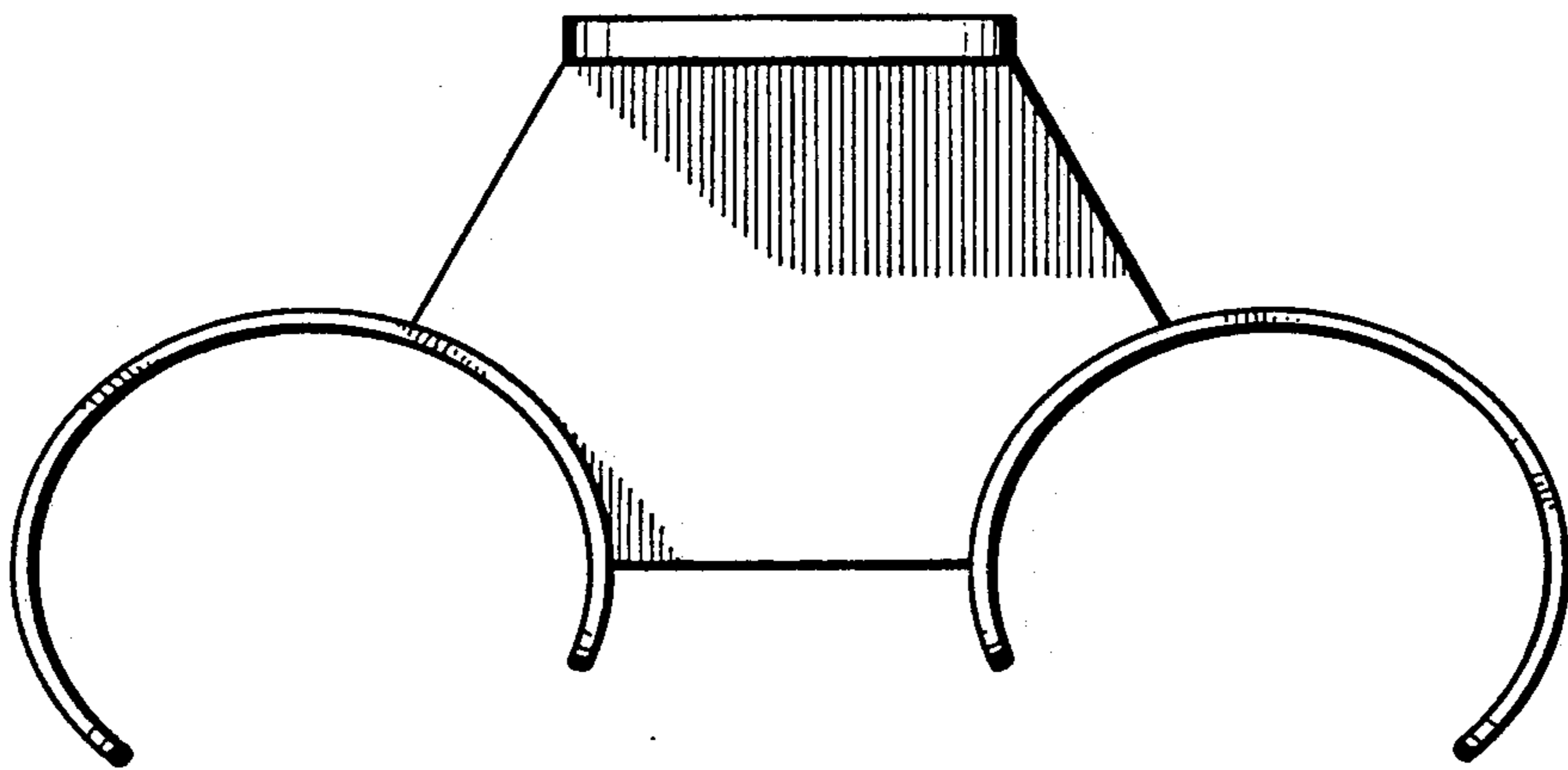


FIG. 2

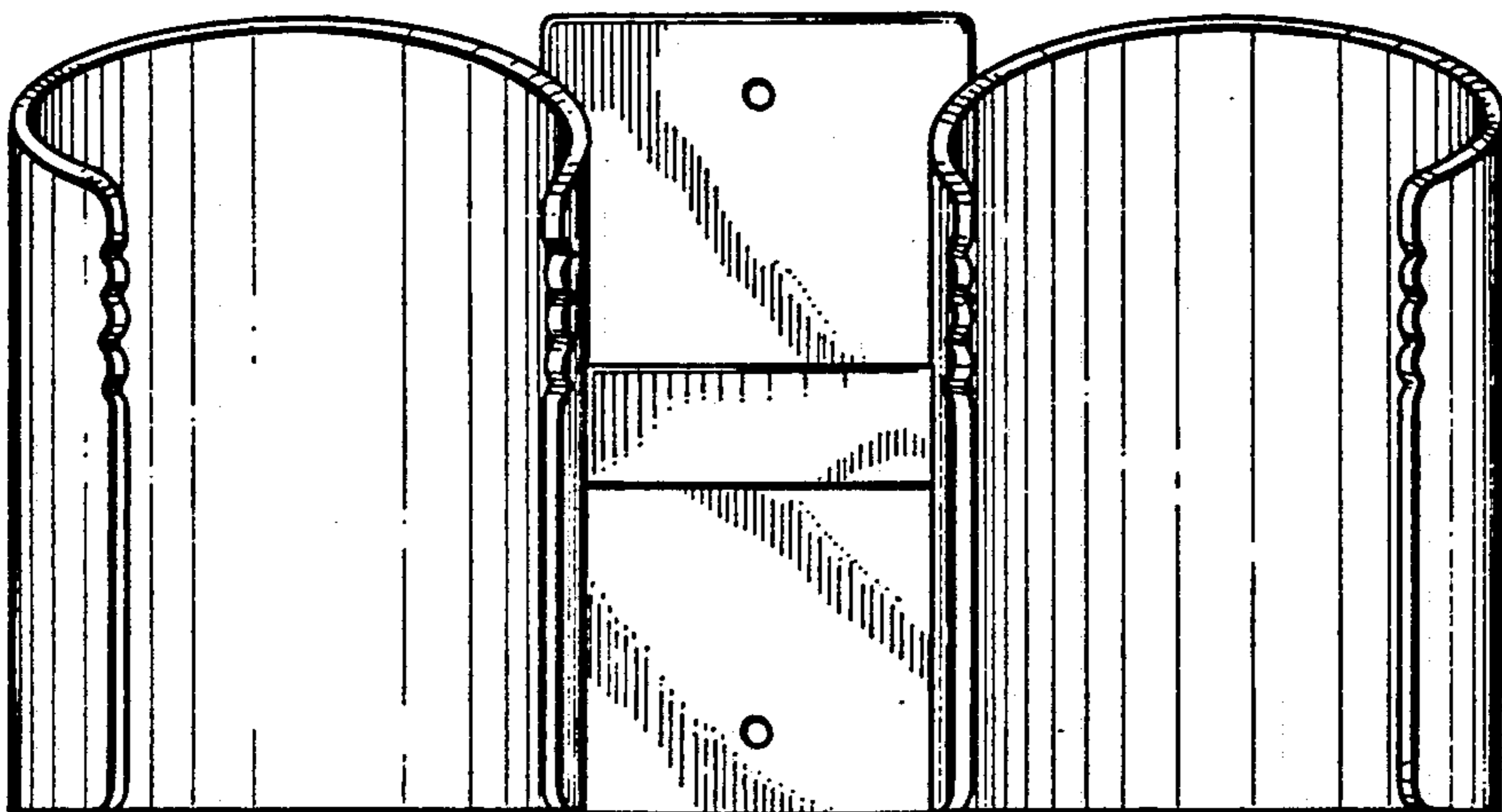


FIG. 3

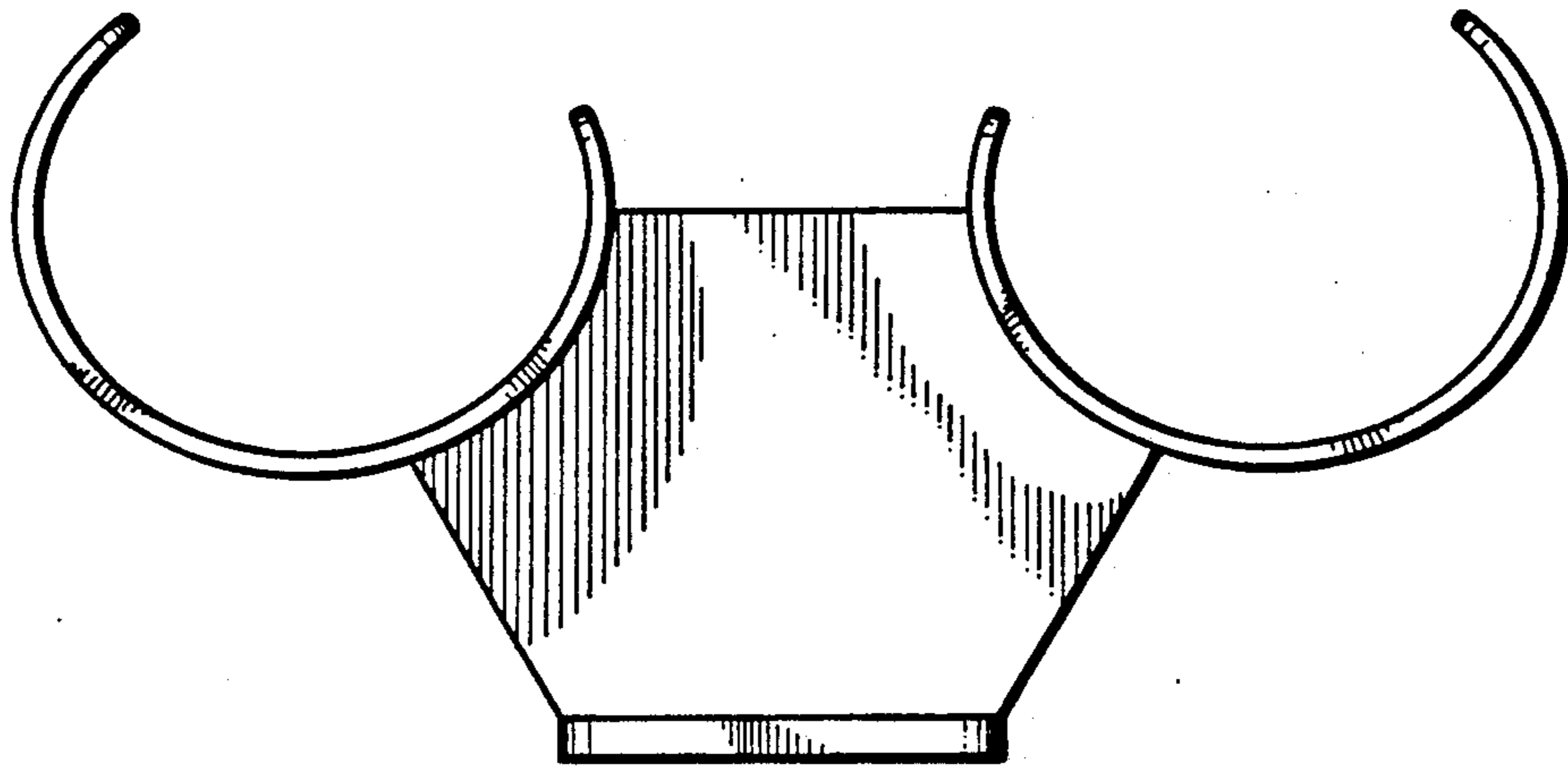


FIG. 4

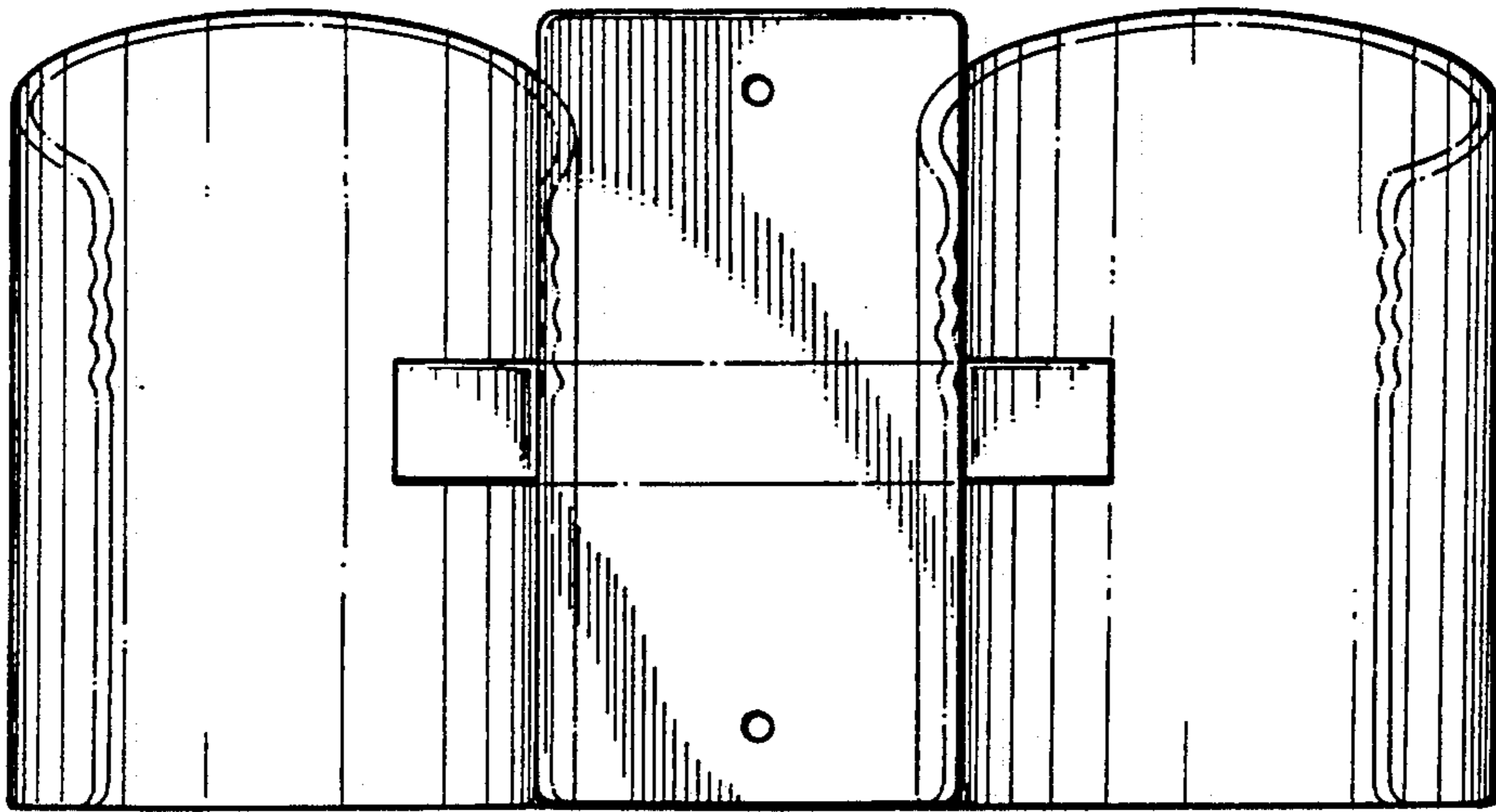


FIG. 5

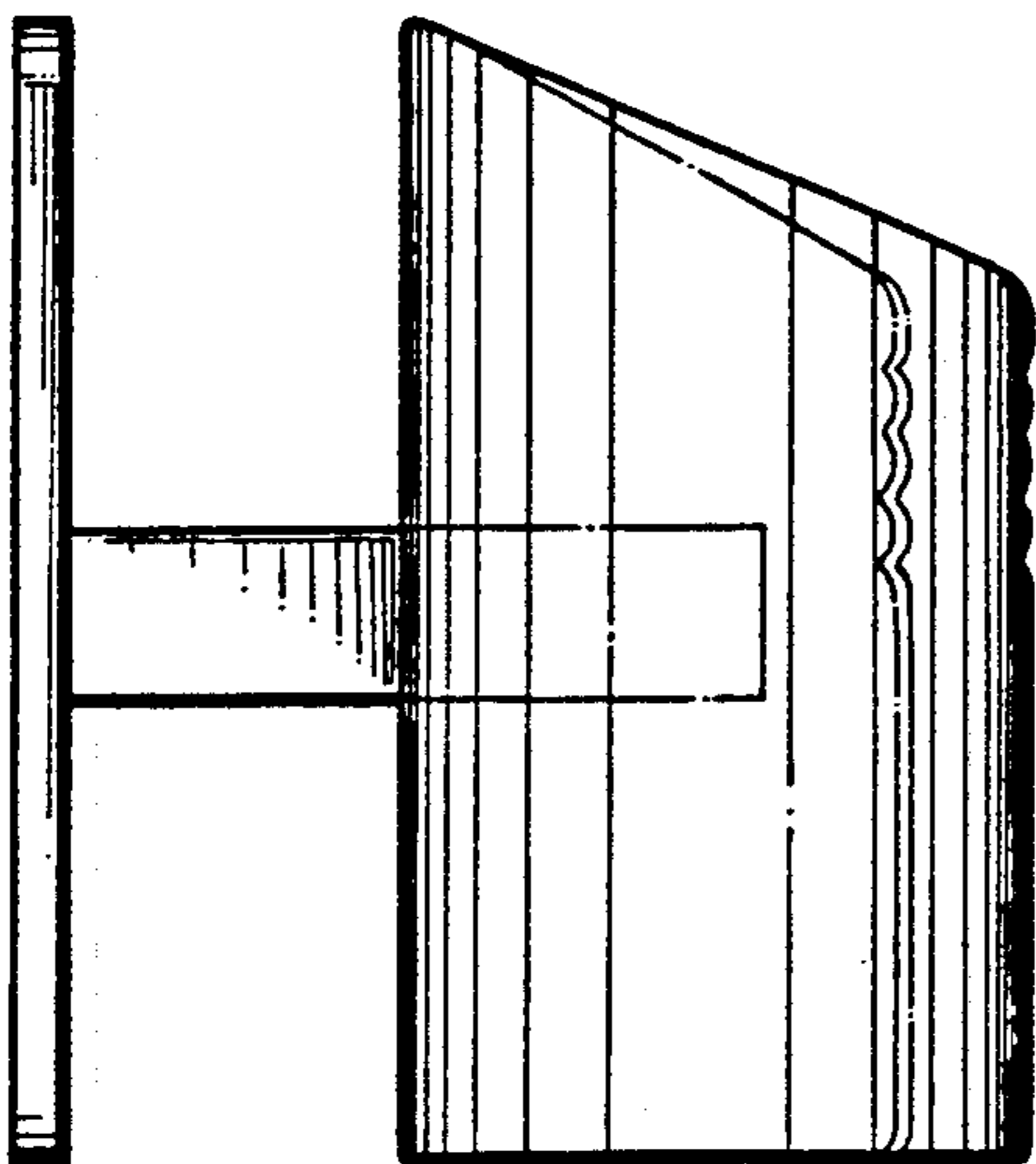


FIG. 6

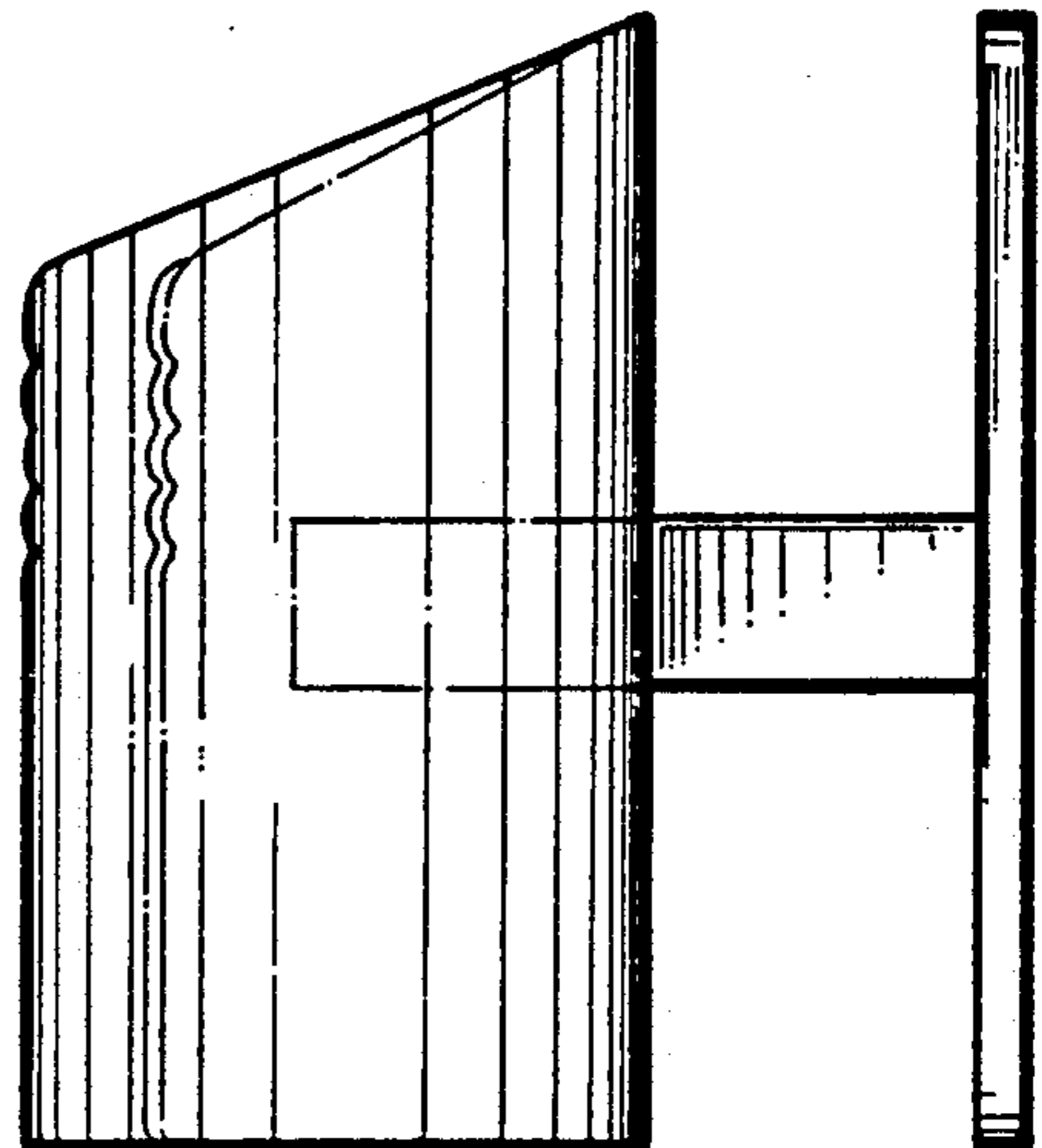


FIG. 7