

[54] FOLDING DAVIT

[76] Inventor: James G. Lomax, P.O. Box 317
Waters Runaway Bay, Queensland,
Australia, 4216

[**] Term: 14 Years

[21] Appl. No.: 301,259

[22] Filed: Jan. 24, 1989

[52] U.S. Cl. D34/33

[58] Field of Search D34/33; 414/678;
114/368, 369, 370, 373

[56] References Cited

U.S. PATENT DOCUMENTS

1,896,845 2/1933 Hyland 114/373
2,023,258 11/1933 Young 114/373

FOREIGN PATENT DOCUMENTS

537000 2/1976 U.S.S.R. 114/370
778030 7/1957 United Kingdom 114/370
874636 8/1961 United Kingdom 114/370

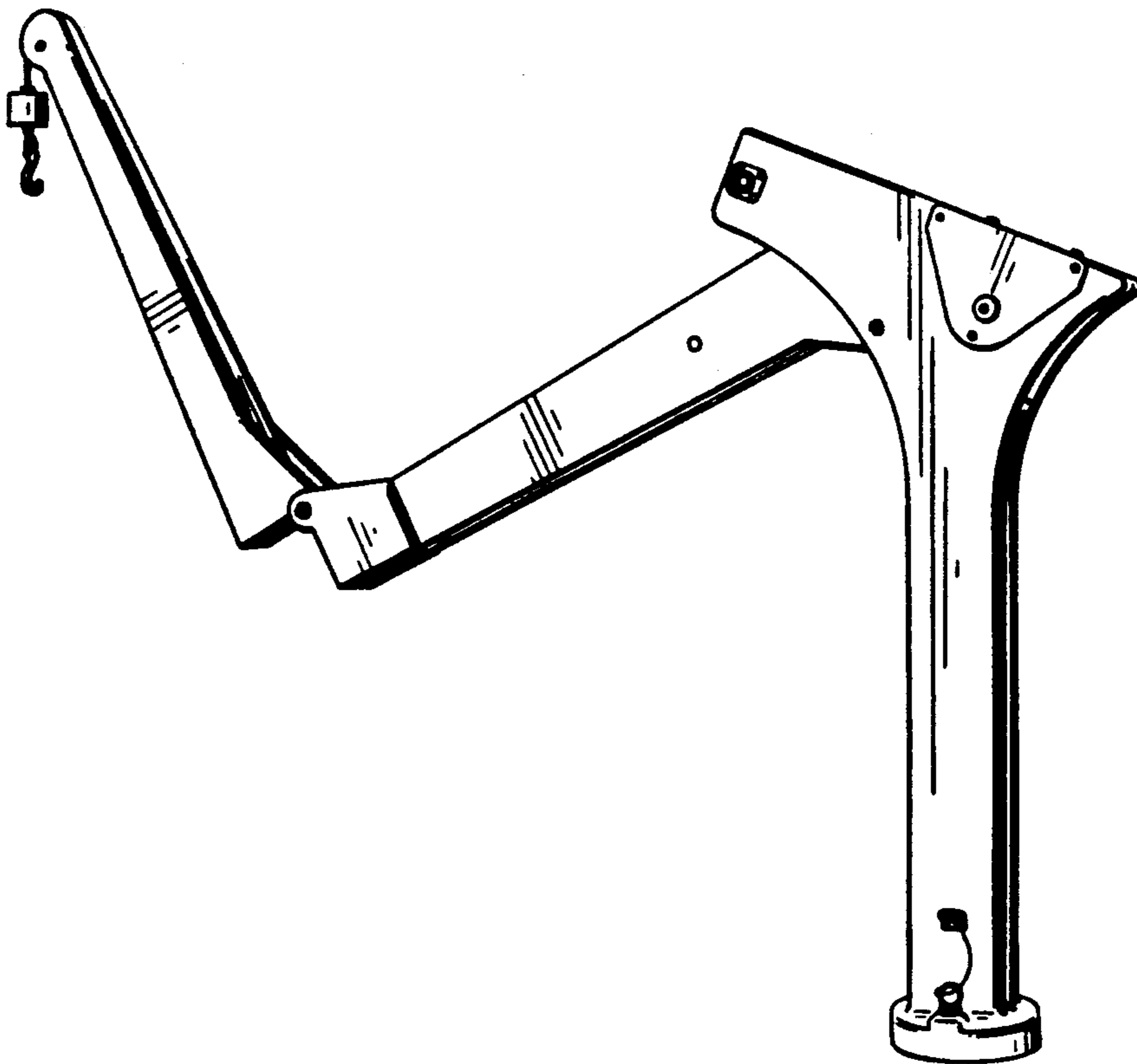
Primary Examiner—Wallace R. Burke
Assistant Examiner—Holly H. Baynhan
Attorney, Agent, or Firm—Nixon & Vanderhuy

[57] CLAIM

The ornamental design for a folding davit, as shown and described.

DESCRIPTION

FIG. 1 is a right side elevational view of a folding davit in the folded position showing my new design;
FIG. 2 is a left side elevational view thereof;
FIG. 3 is a rear elevational view thereof;
FIG. 4 is a front elevational view thereof;
FIG. 5 is a right side elevational view thereof with the davit extended;
FIG. 6 is a left side elevational view thereof with the davit extended.



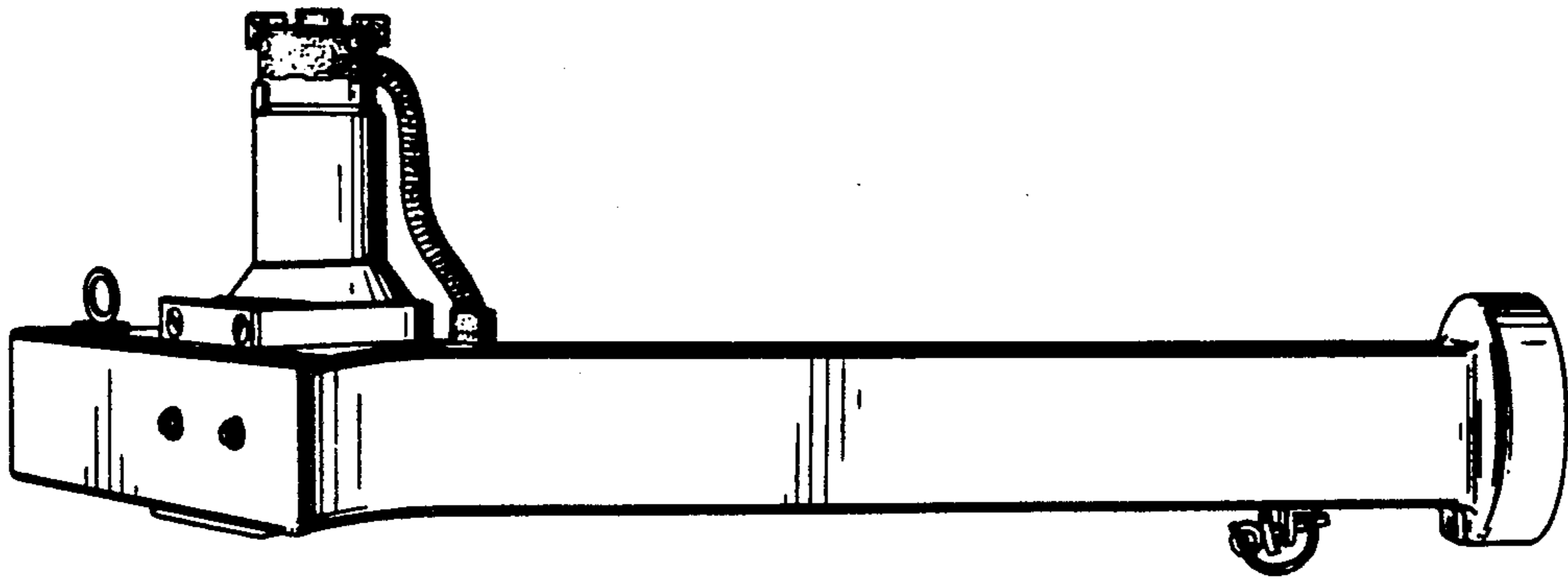


FIG. 3

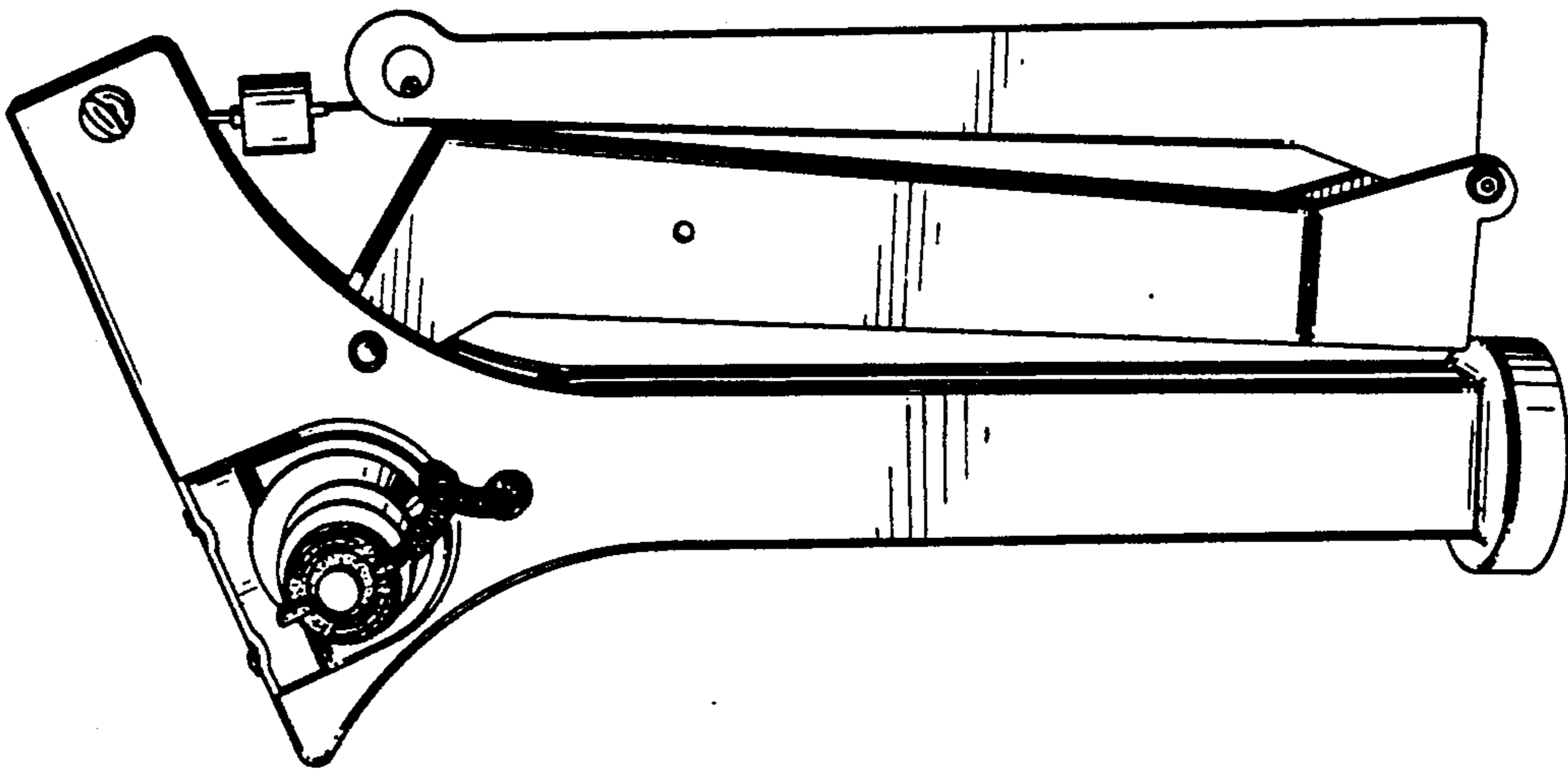


FIG. 2

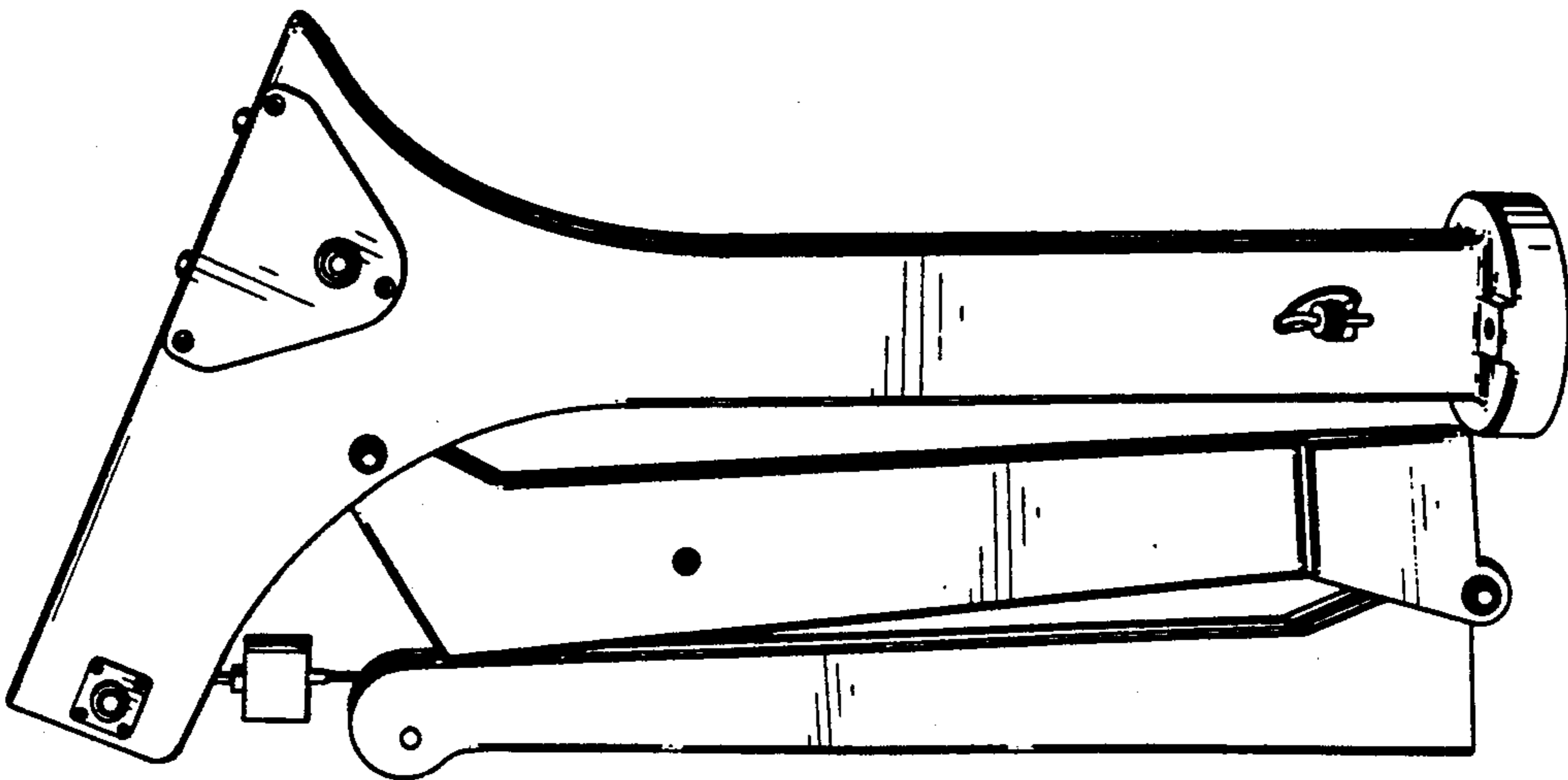


FIG. 1

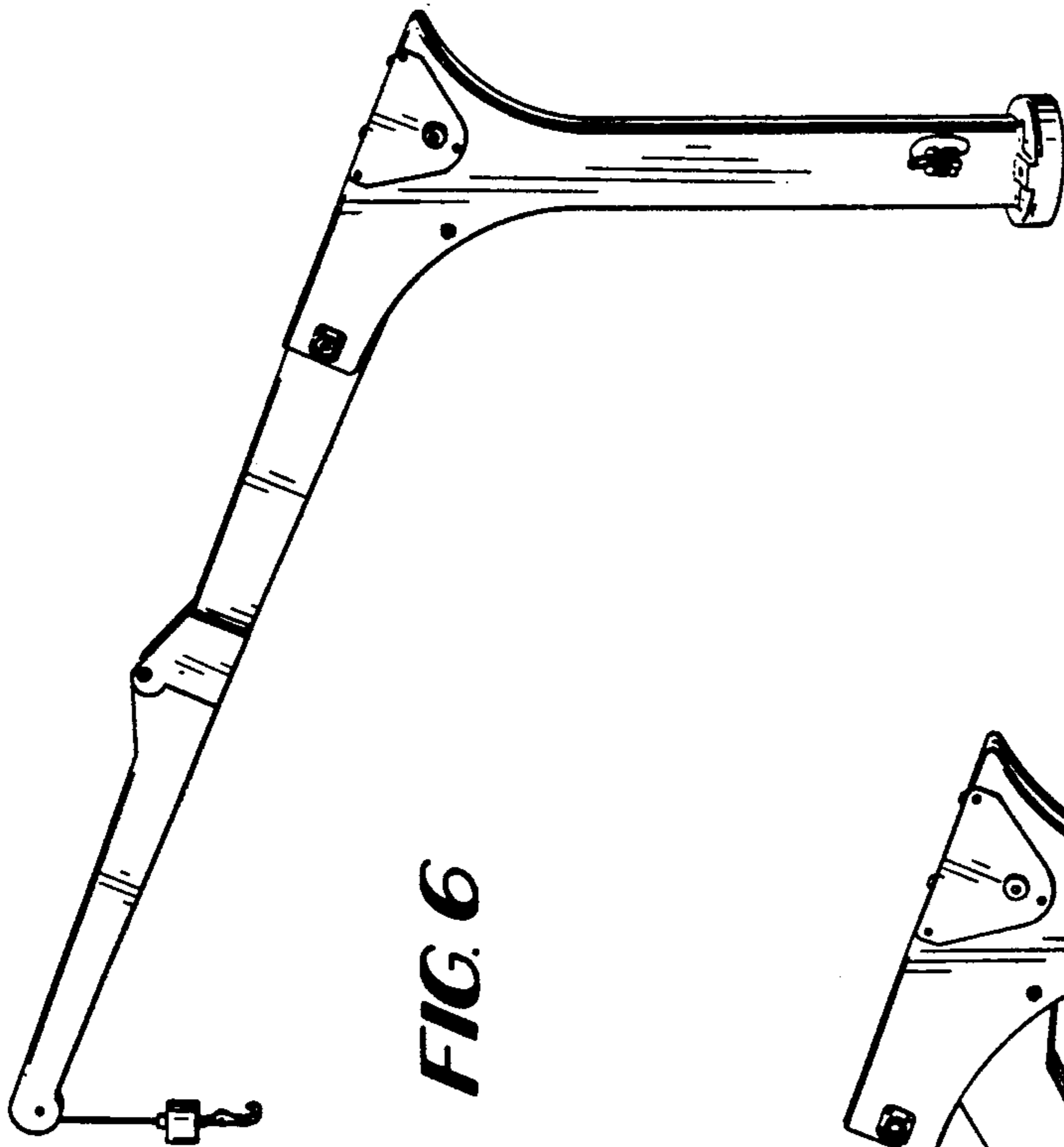


FIG. 6

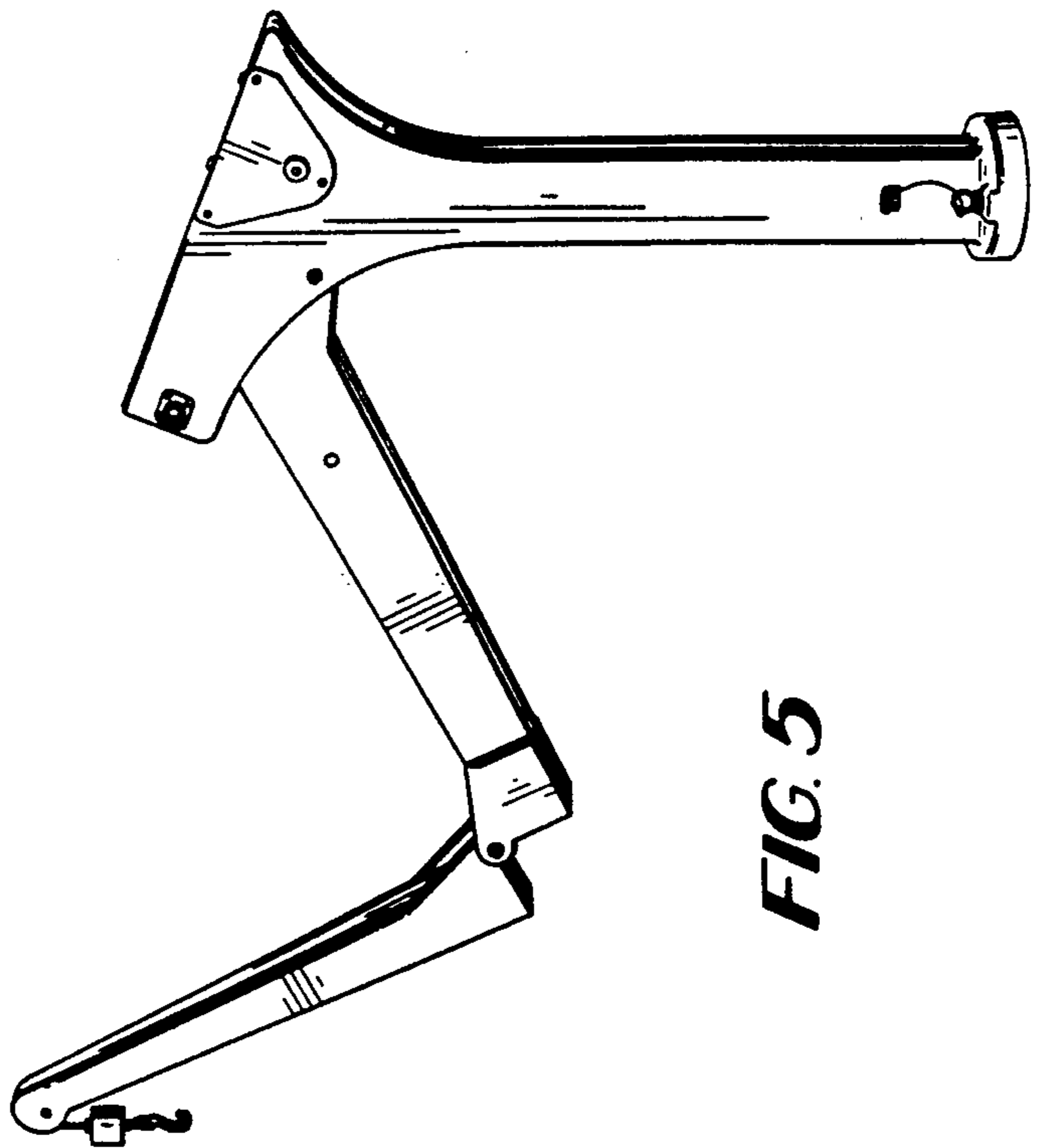


FIG. 5

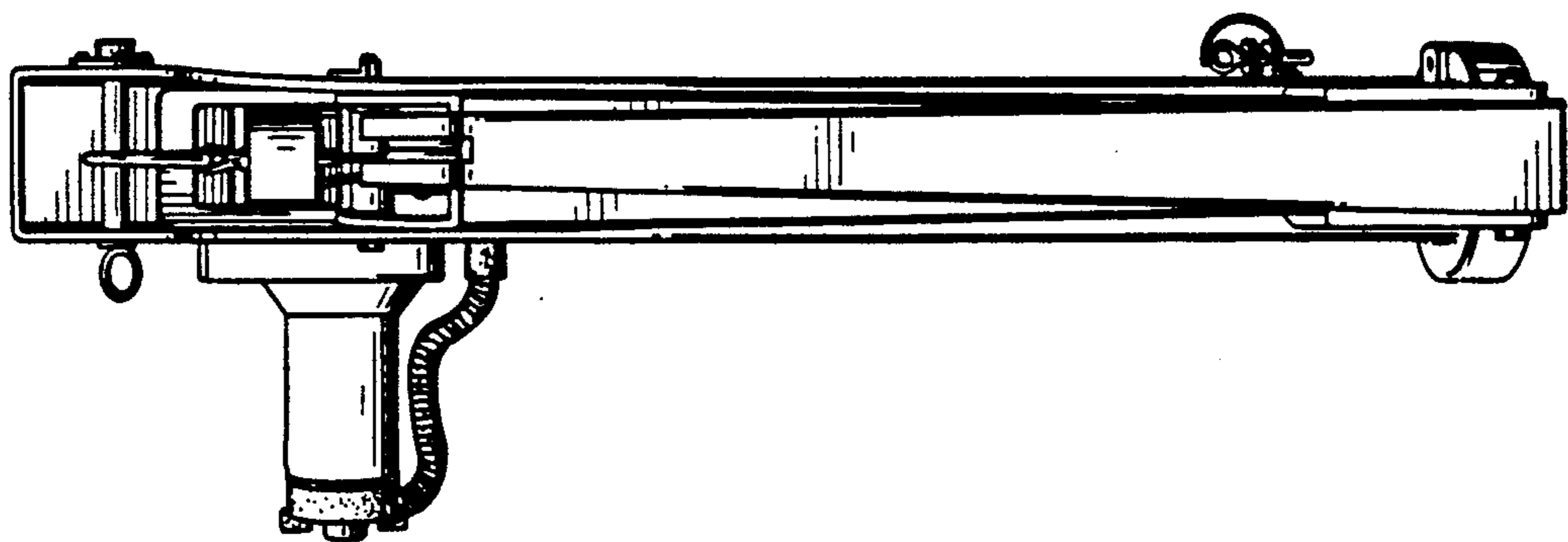


FIG. 4