

[54] TRAY UNIT FOR AN ULTRASONIC CLEANING MACHINE

[75] Inventor: Alan Miller, New York, N.Y.

[73] Assignee: Ipco Corp., White Plains, N.Y.

[**] Term: 14 Years

[21] Appl. No.: 287,993

[22] Filed: Dec. 20, 1988

[52] U.S. Cl. D32/25

[58] Field of Search D32/25; 134/92, 135, 134/155, 184, 154, 84-91, 93, 117, 137; 34/202; 211/126

[56] References Cited

U.S. PATENT DOCUMENTS

1,187,498	6/1916	Castle	134/135
1,711,731	5/1929	Hein	134/92
2,671,239	3/1954	Wisner	134/85

3,742,965 7/1973 Hudziak 134/92

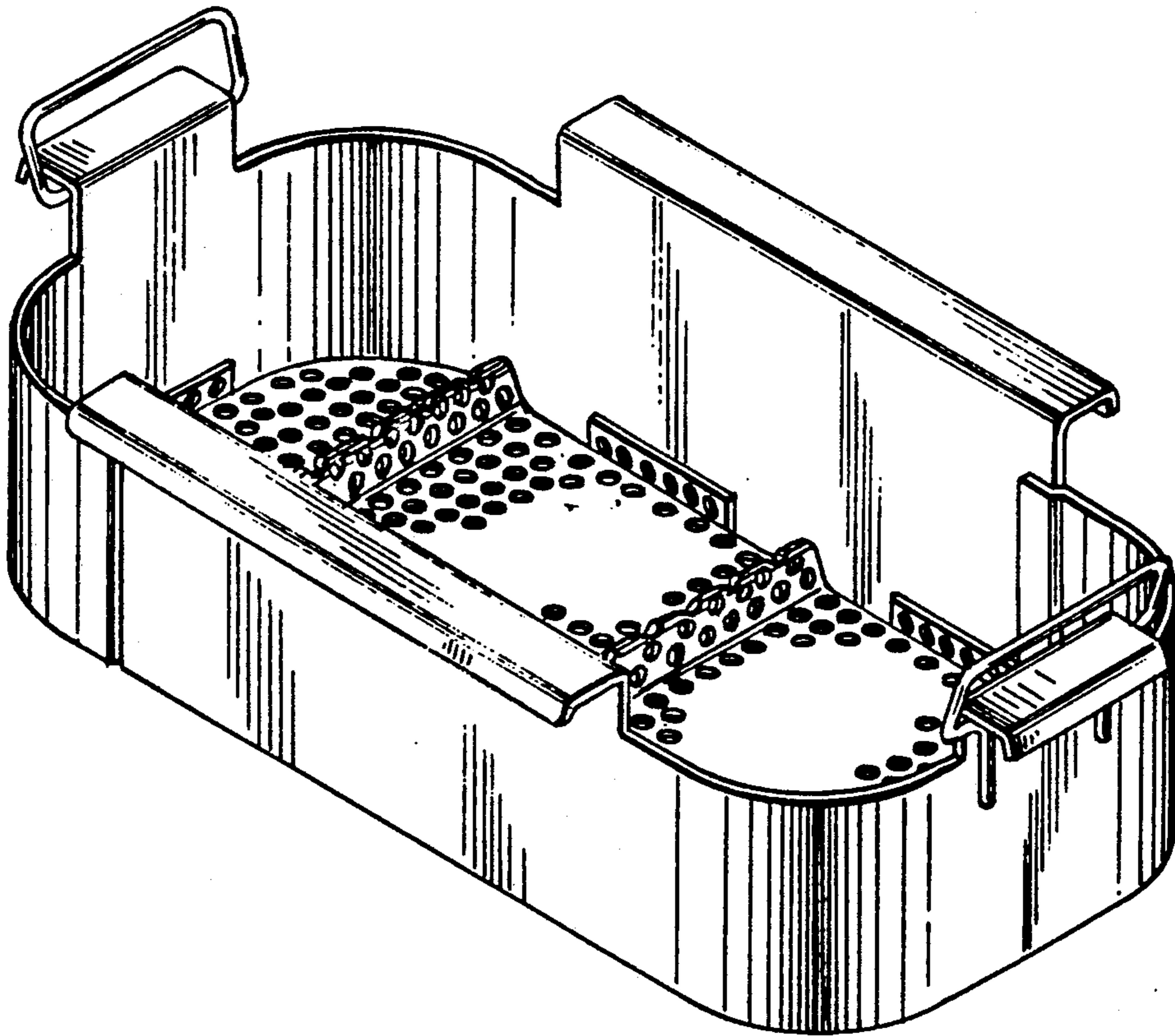
Primary Examiner—A. Hugo Word
Assistant Examiner—Paula Allen
Attorney, Agent, or Firm—Helfgott & Karas

[57] CLAIM

The ornamental design for a tray unit for an ultrasonic cleaning machine, as shown and described.

DESCRIPTION

FIG. 1 is a front perspective view of a tray unit for an ultrasonic cleaning machine showing my new design; FIG. 2 is a top plan view thereof; FIG. 3 is a front elevational view thereof; the rear view being the same; FIG. 4 is a right side elevational view thereof, the left side being the same; FIG. 5 is a bottom plan view thereof; and FIG. 6 is a perspective view of an alternate embodiment thereof.



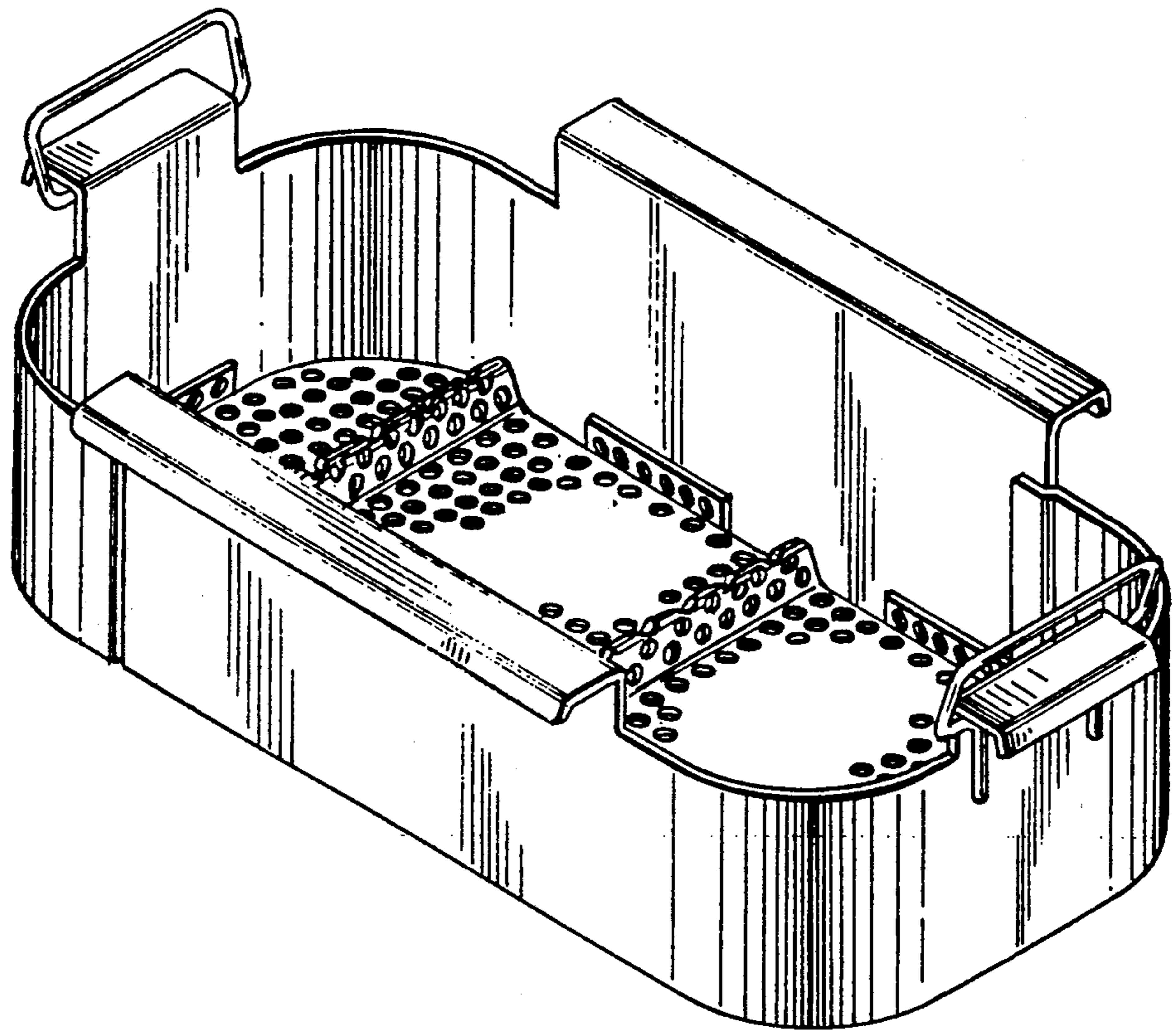


FIG. 1

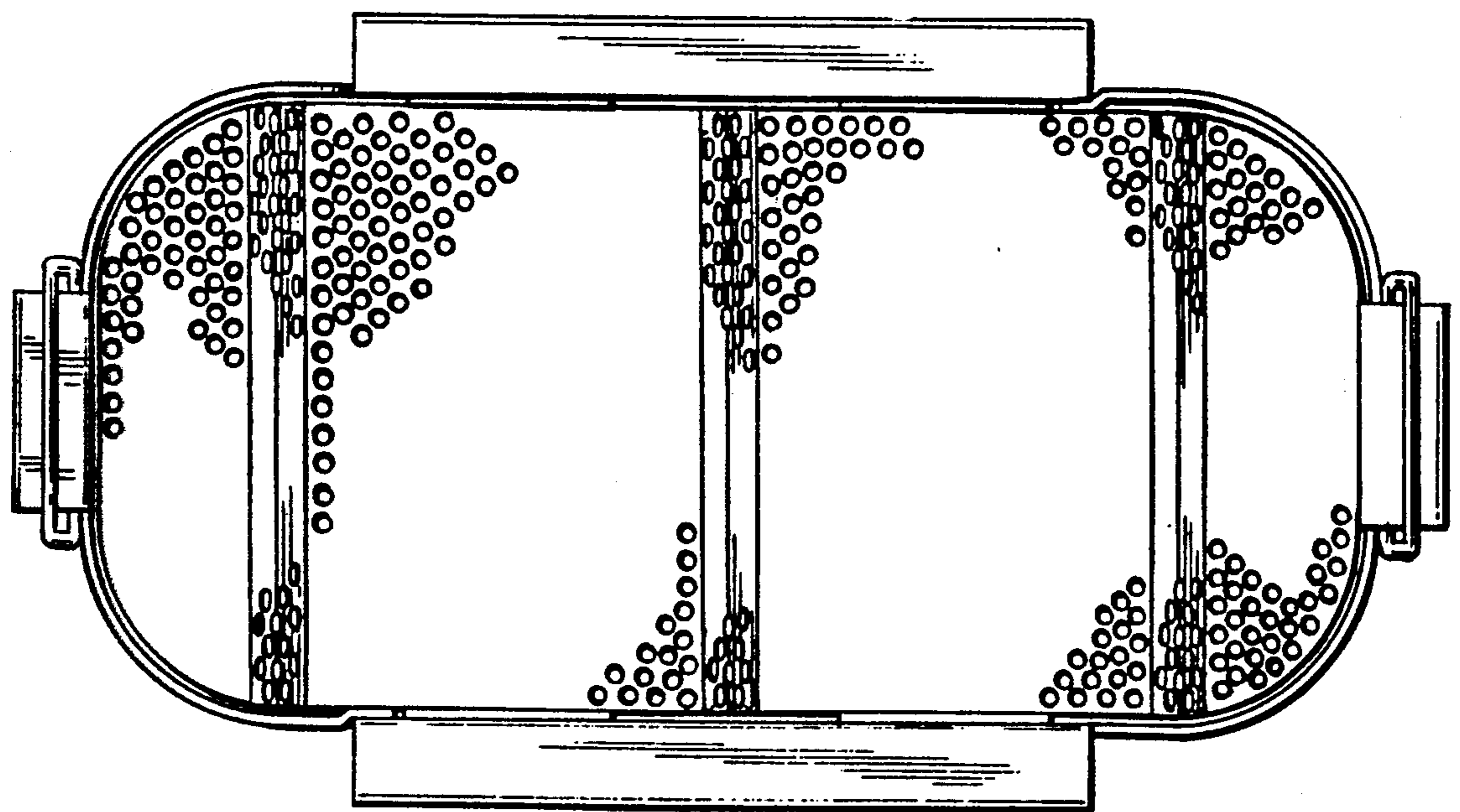


FIG. 2

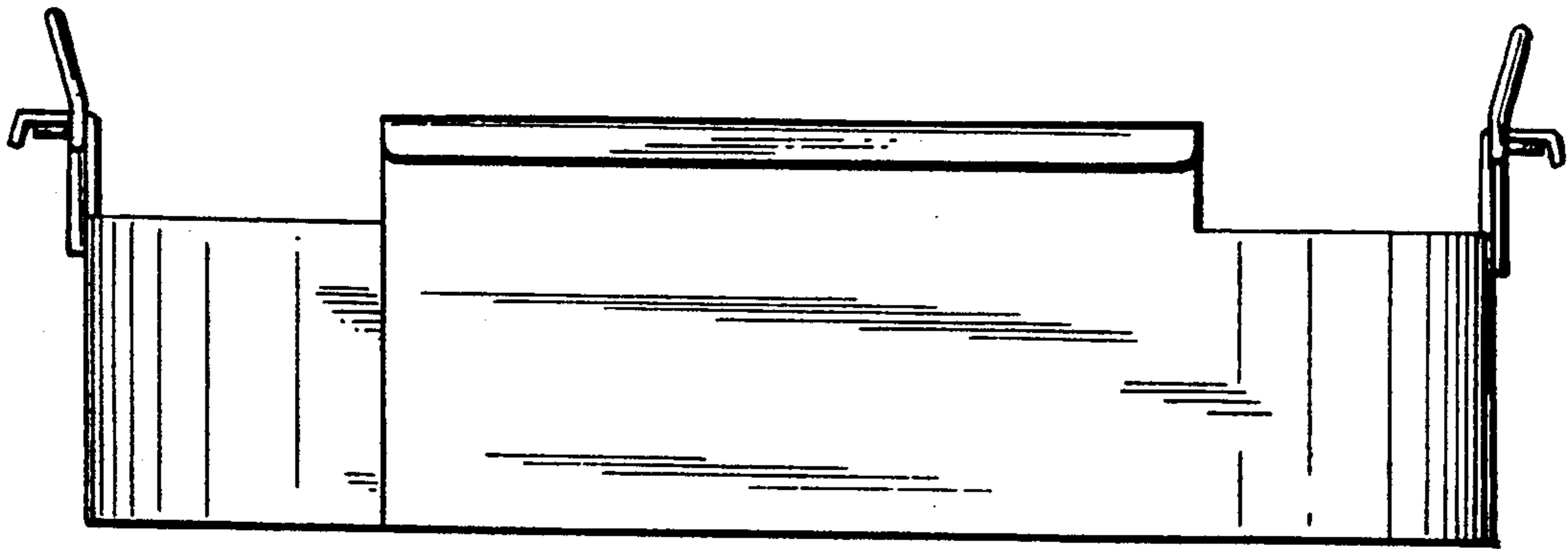


FIG. 3

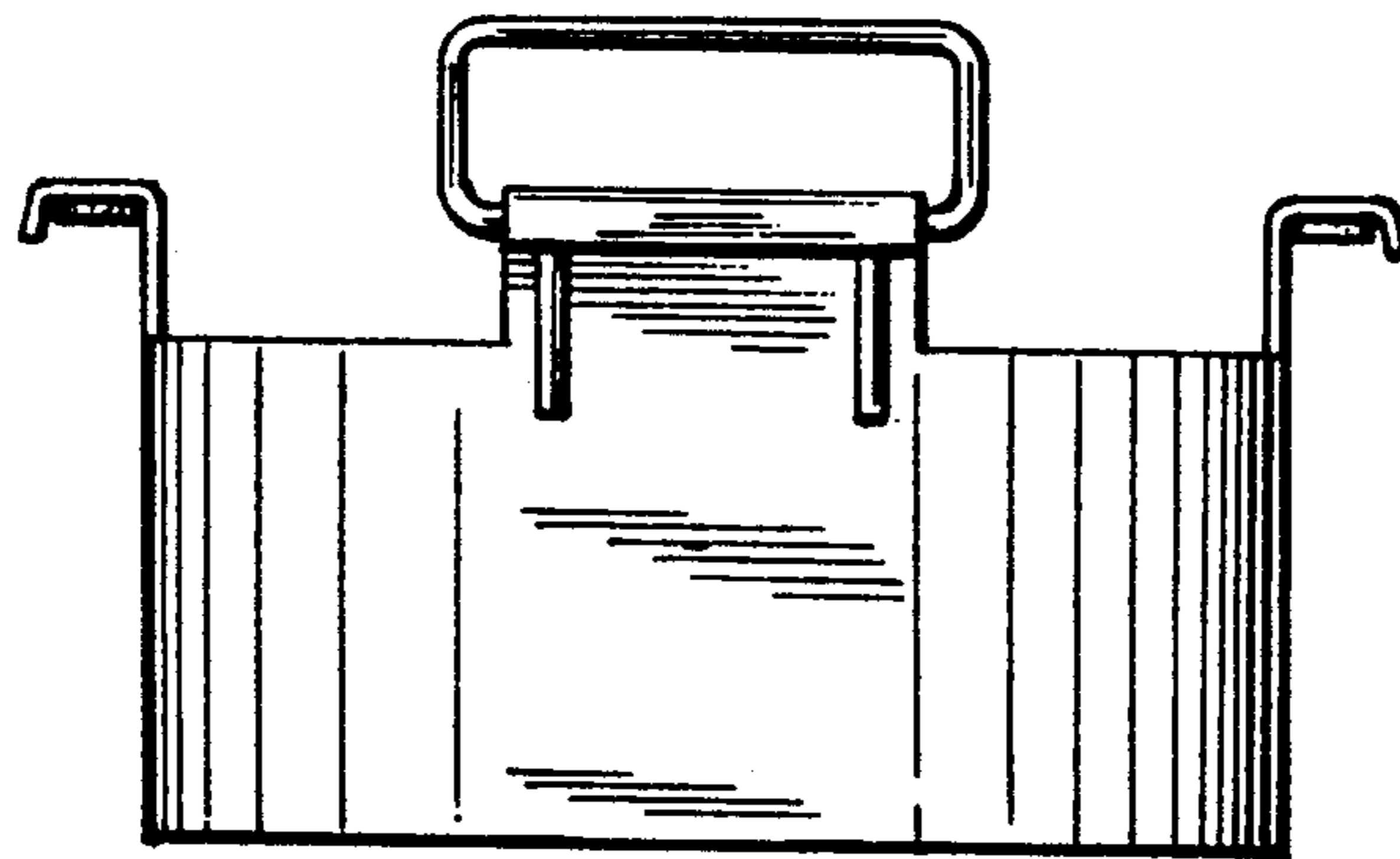


FIG. 4

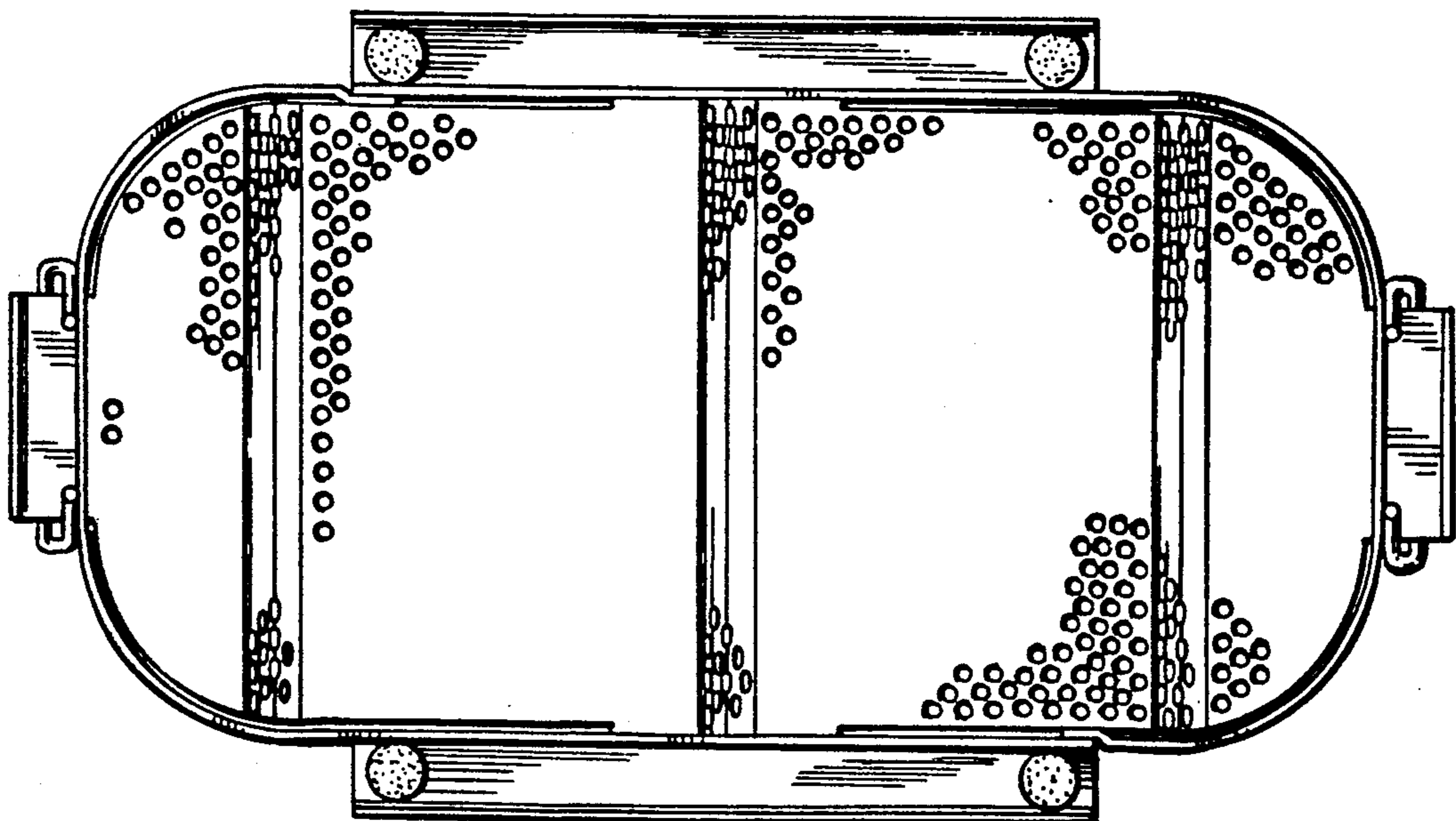


FIG. 5

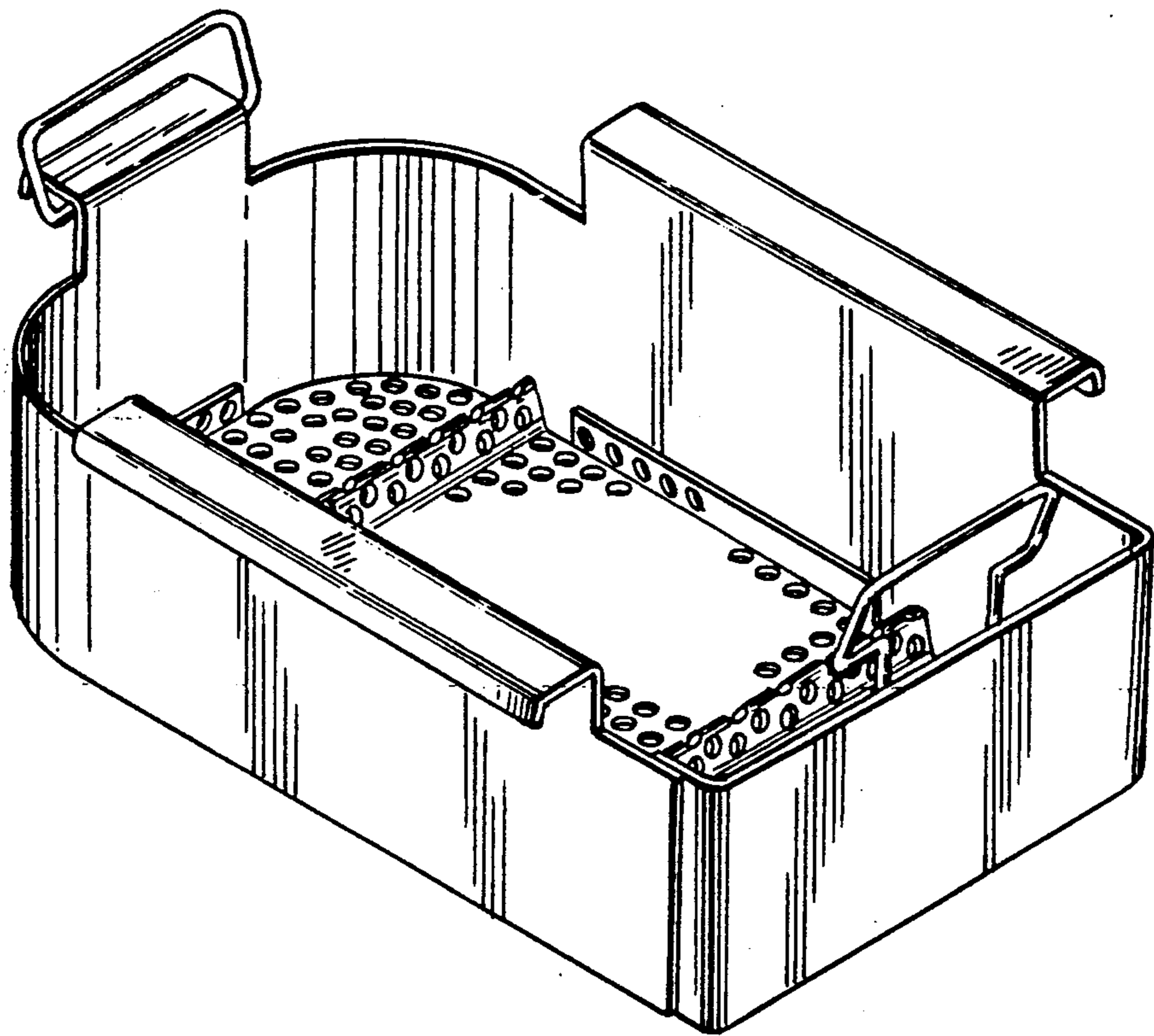


FIG. 6