

[54] SUPPORT BASE FOR BOAT LIGHT POLE

[75] Inventor: Warwick M. Whitley, II, Panama City, Fla.

[73] Assignee: Attwood Corporation, Lowell, Mich.

[**] Term: 14 Years

[21] Appl. No.: 275,542

[22] Filed: Nov. 23, 1988

[52] U.S. Cl. D26/142; D26/28; D26/138

[58] Field of Search D26/28-35, D26/138, 140, 142; 362/61, 80, 80.1, 82, 81, 83, 83.2, 83.3, 267; 114/364

[56] References Cited

U.S. PATENT DOCUMENTS

D. 184,988	4/1959	De Hart et al.	D26/36
3,517,184	6/1970	Norton et al.	362/61
3,833,800	9/1974	Stewart et al.	362/61
4,856,452	8/1989	Pingel et al.	362/61 X

OTHER PUBLICATIONS

Pages 16 and 17 of Attwood Catalog, 1983/1984.
Pages 36 and 37 of Attwood Catalog 1987/1988.

Primary Examiner—Susan J. Lucas
Attorney, Agent, or Firm—Price, Heneveld, Cooper, DeWitt & Litton

[57] CLAIM

The ornamental design for a support base for a boat light pole, as shown and described.

DESCRIPTION

FIG. 1 is a top, perspective view of a support base for a boat light pole showing my new design with the cover closed and the broken lines showing the electrical element being for illustrative purposes only and forming no part of the claimed design;

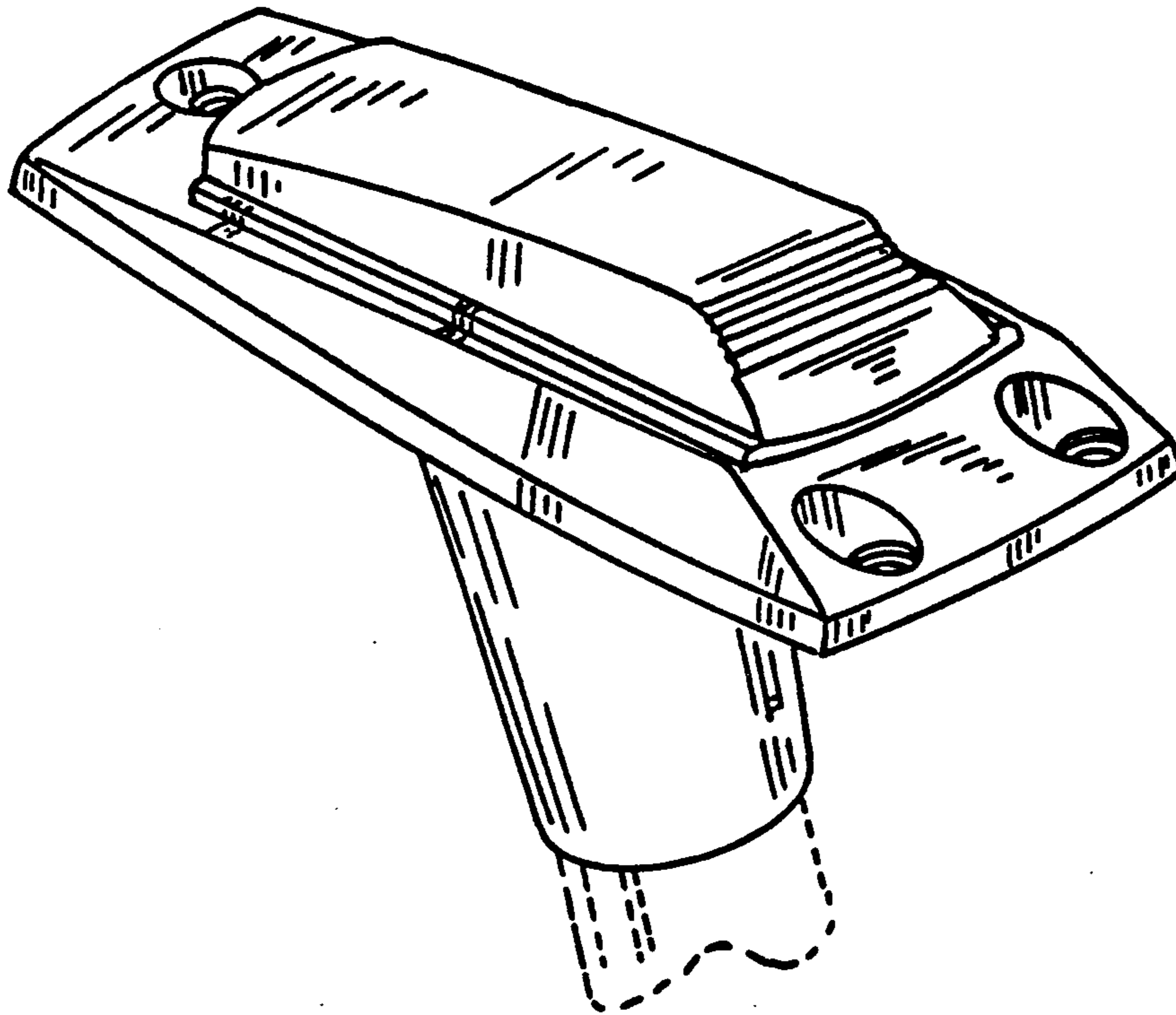
FIG. 2 is a top, plan view thereof with the cover closed; FIG. 3 is a top, plan view thereof with the cover open in the position wherein the light pole (not shown) is mounted;

FIG. 4 is a right side, elevational view thereof with the cover closed, the left side being a mirror image and the broken lines showing the electrical element being for illustrative purposes only and forming no part of the claimed design;

FIG. 5 is a front, elevational view thereof with the cover closed and the broken lines showing the electrical element being for illustrative purposes only and forming no part of the claimed design;

FIG. 6 is a rear, elevational view thereof with the cover closed and the broken lines showing the electrical element being for illustrative purposes only and forming no part of the claimed design; and

FIG. 7 is a bottom, plan view thereof, the broken lines showing the electrical plug being for illustrative purposes only and forming no part of the claimed design.



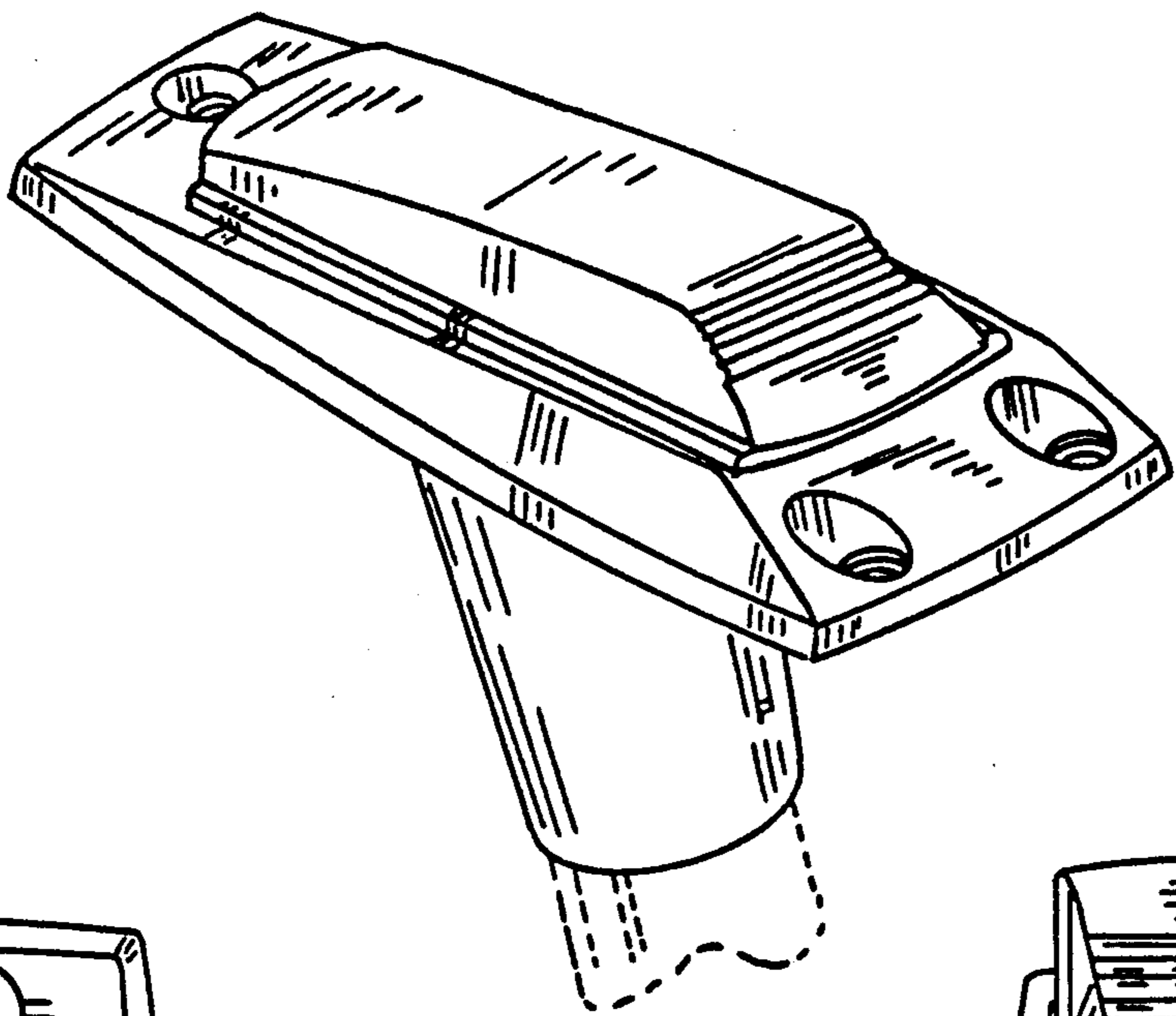


FIG. 1

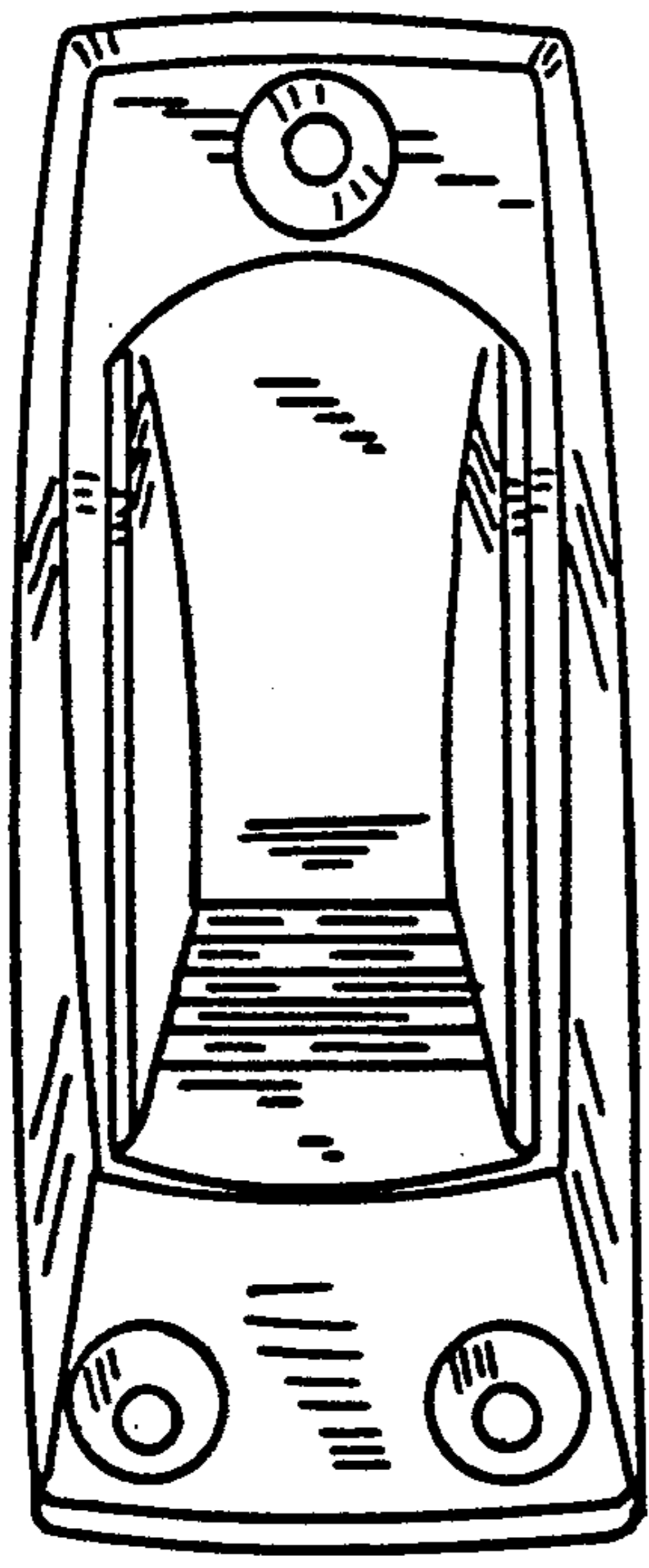


FIG. 2

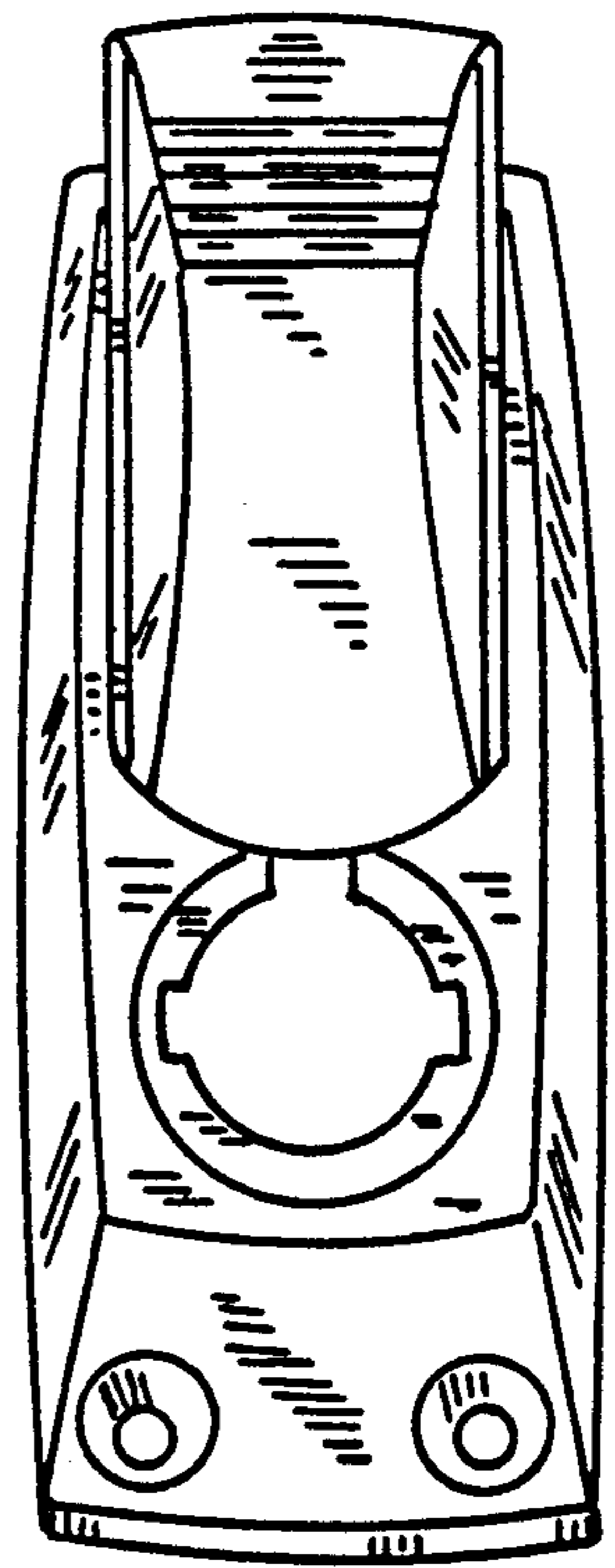


FIG. 3

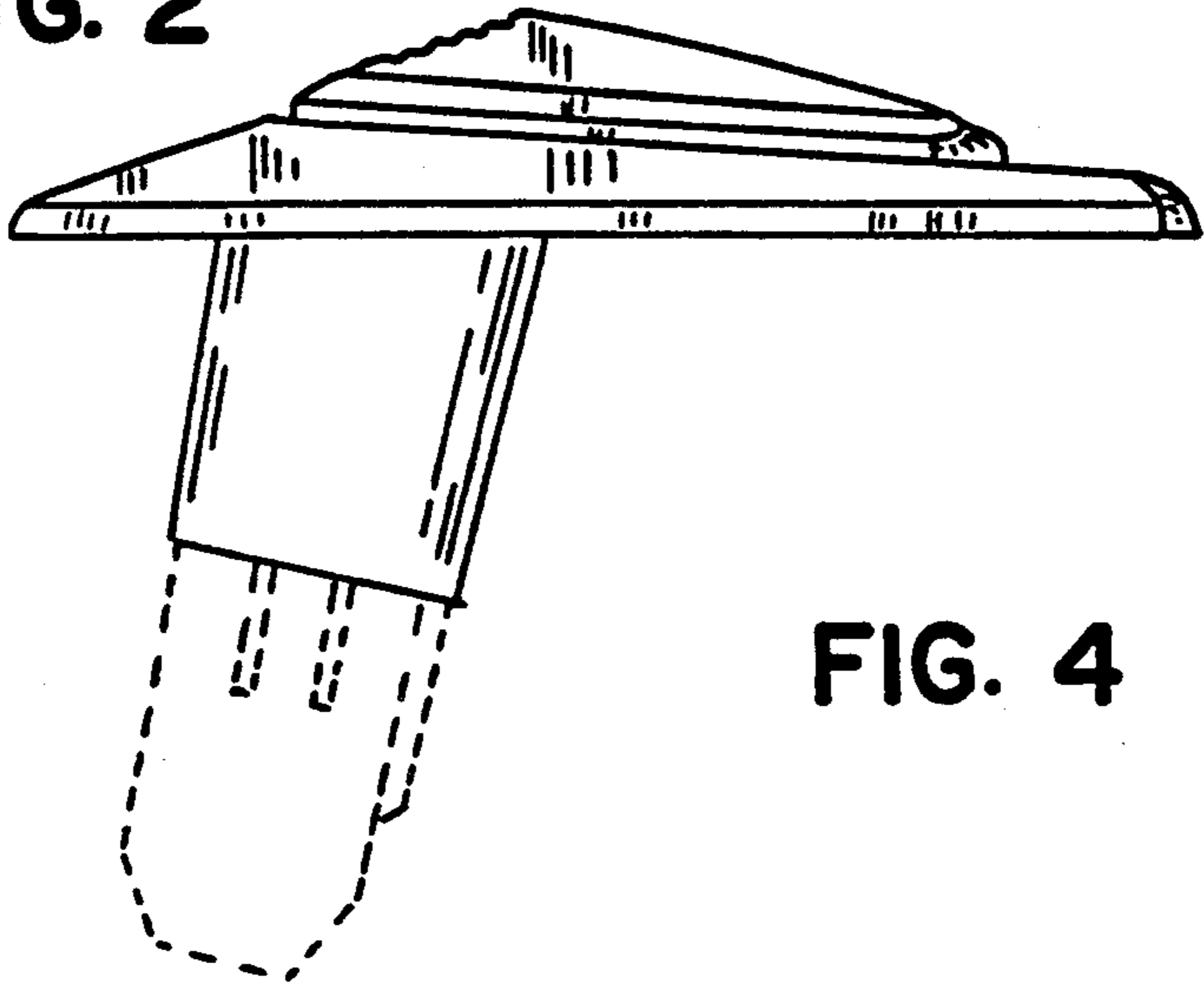


FIG. 4

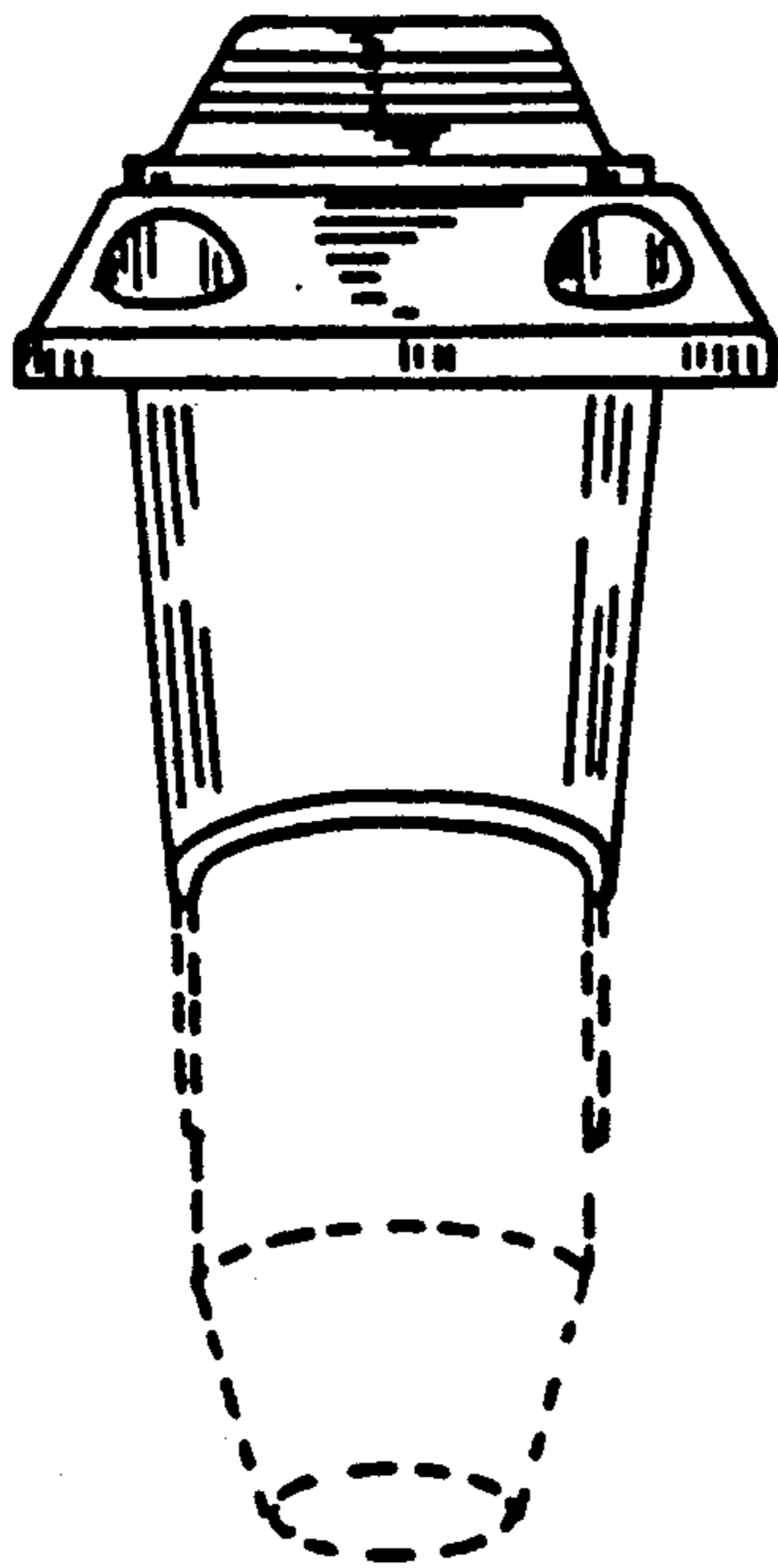


FIG. 5

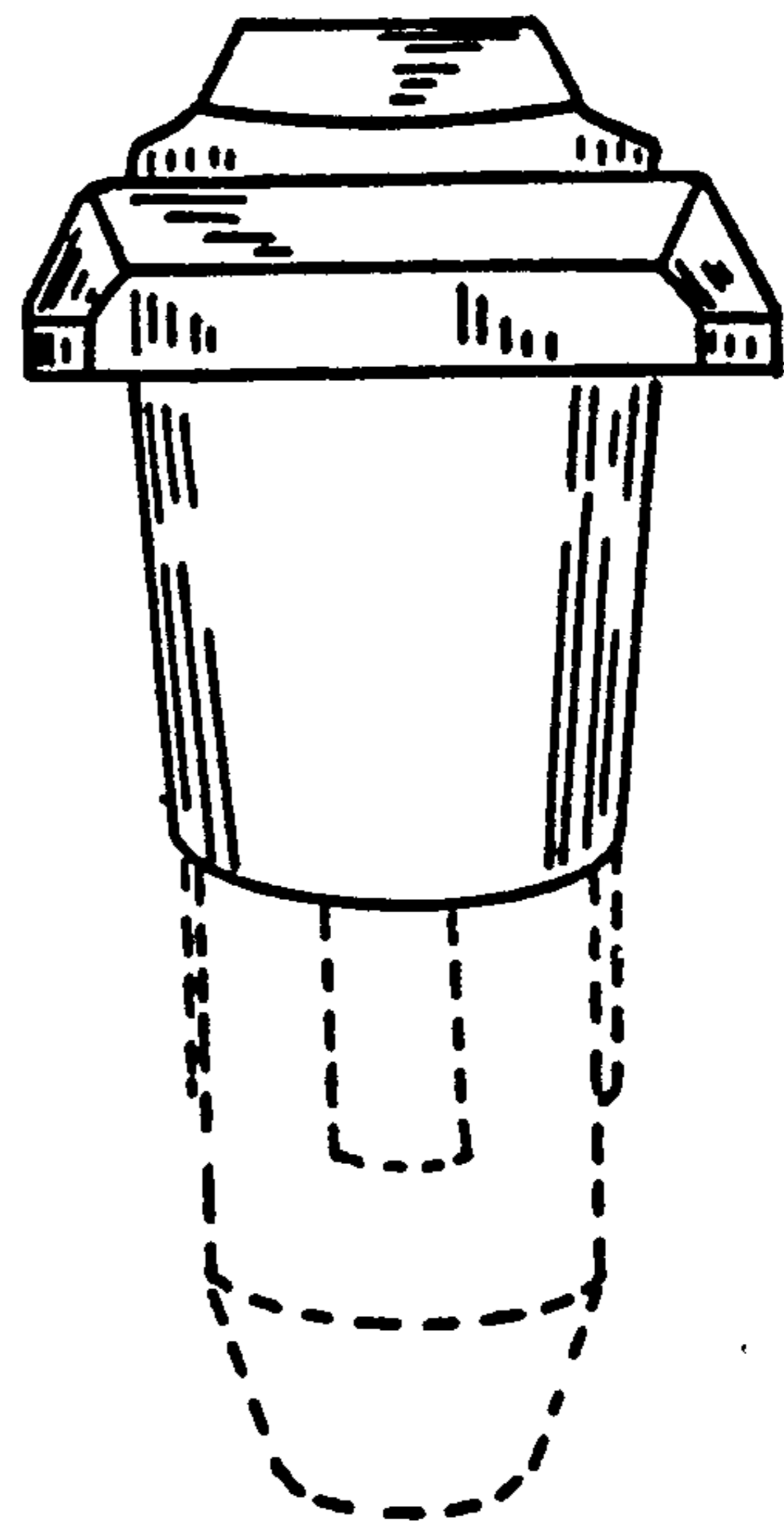


FIG. 6

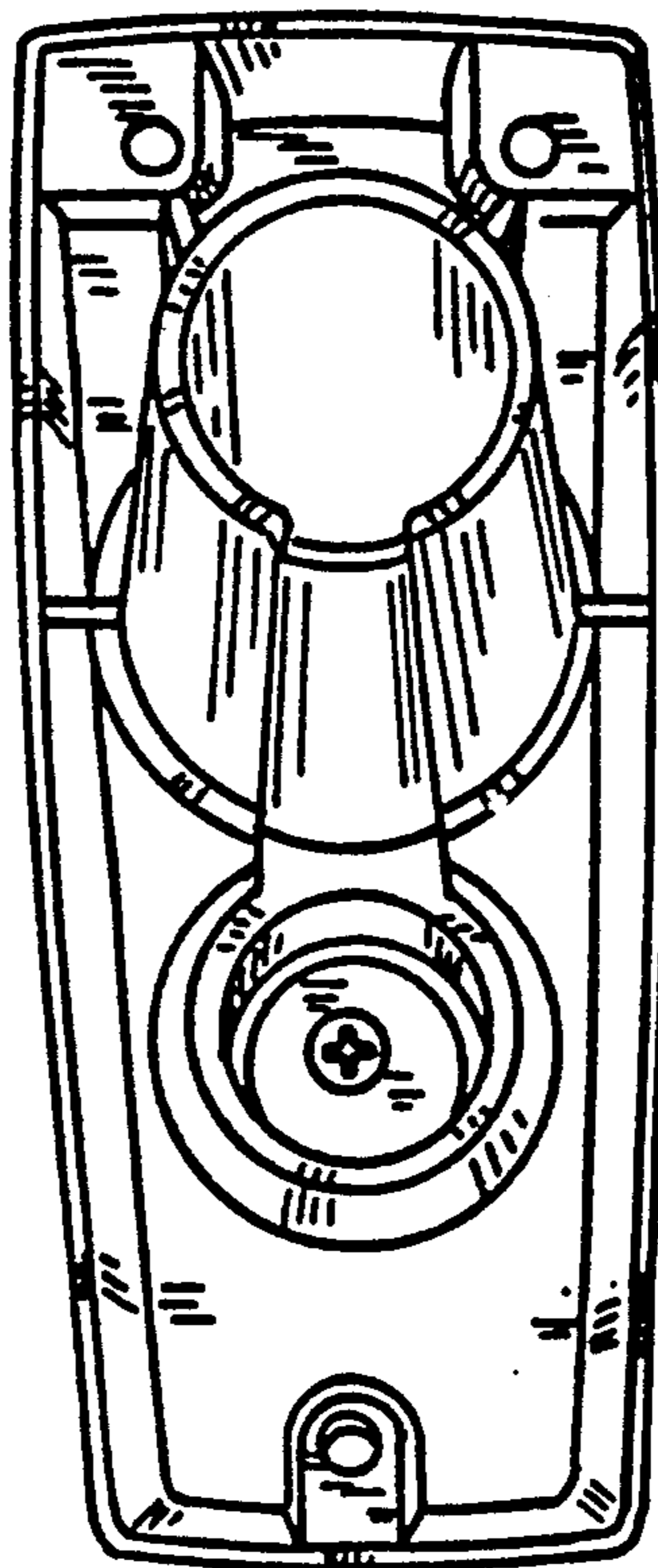


FIG. 7