

[54] ADJUSTABLE INTERIOR LIGHTING FIXTURE

[75] Inventor: Richard Sapper, Montagnola, Switzerland

[73] Assignee: Artemide Litech S.p.A., Pregnana Milanese, Italy

[**] Term: 14 Years

[21] Appl. No.: 188,511

[22] Filed: Apr. 29, 1988

[30] Foreign Application Priority Data

Oct. 30, 1987 [IT] Italy 53779/87[U]

[52] U.S. Cl. D26/63

[58] Field of Search D26/60-65; 362/33, 147, 269, 275, 287, 418, 419, 427, 428, 804

[56] References Cited

U.S. PATENT DOCUMENTS

- D. 295,223 4/1988 Meda D26/65
- 4,107,769 8/1978 Saluja 362/402
- 4,437,144 3/1984 Guenther 362/269 X

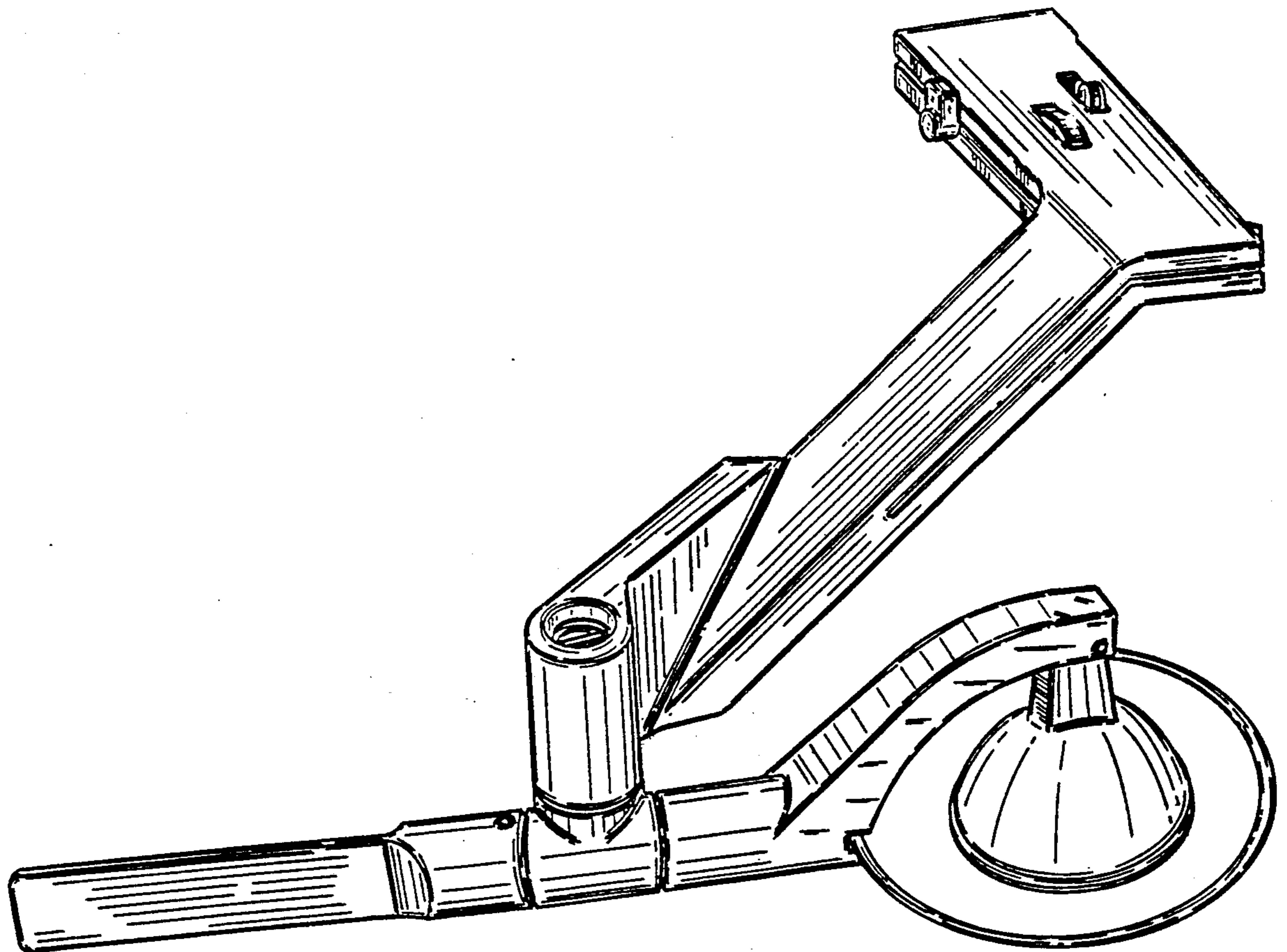
Primary Examiner—Susan J. Lucas
Attorney, Agent, or Firm—Shlesinger & Myers

[57] CLAIM

The ornamental design for an adjustable interior lighting fixture, as shown and described.

DESCRIPTION

FIG. 1 is a top, left side perspective view of an adjustable interior lighting fixture showing my new design; FIG. 2 is a top plan view thereof on a reduced scale; FIG. 3 is a bottom plan view thereof on a reduced scale; FIG. 4 is a front elevational view thereof on a reduced scale; FIG. 5 is a rear elevational view thereof on a reduced scale; FIG. 6 is a left side elevational view thereof on a reduced scale; FIG. 7 is a right side elevational view thereon on a reduced scale; FIG. 8 is a bottom, front perspective view thereof; FIG. 9 is a front elevational view of a second embodiment of my new design; FIG. 10 is a top plan view thereof; FIG. 11 is a bottom, front perspective view thereof. The adjustable support of the second embodiment is identical to that of the first.



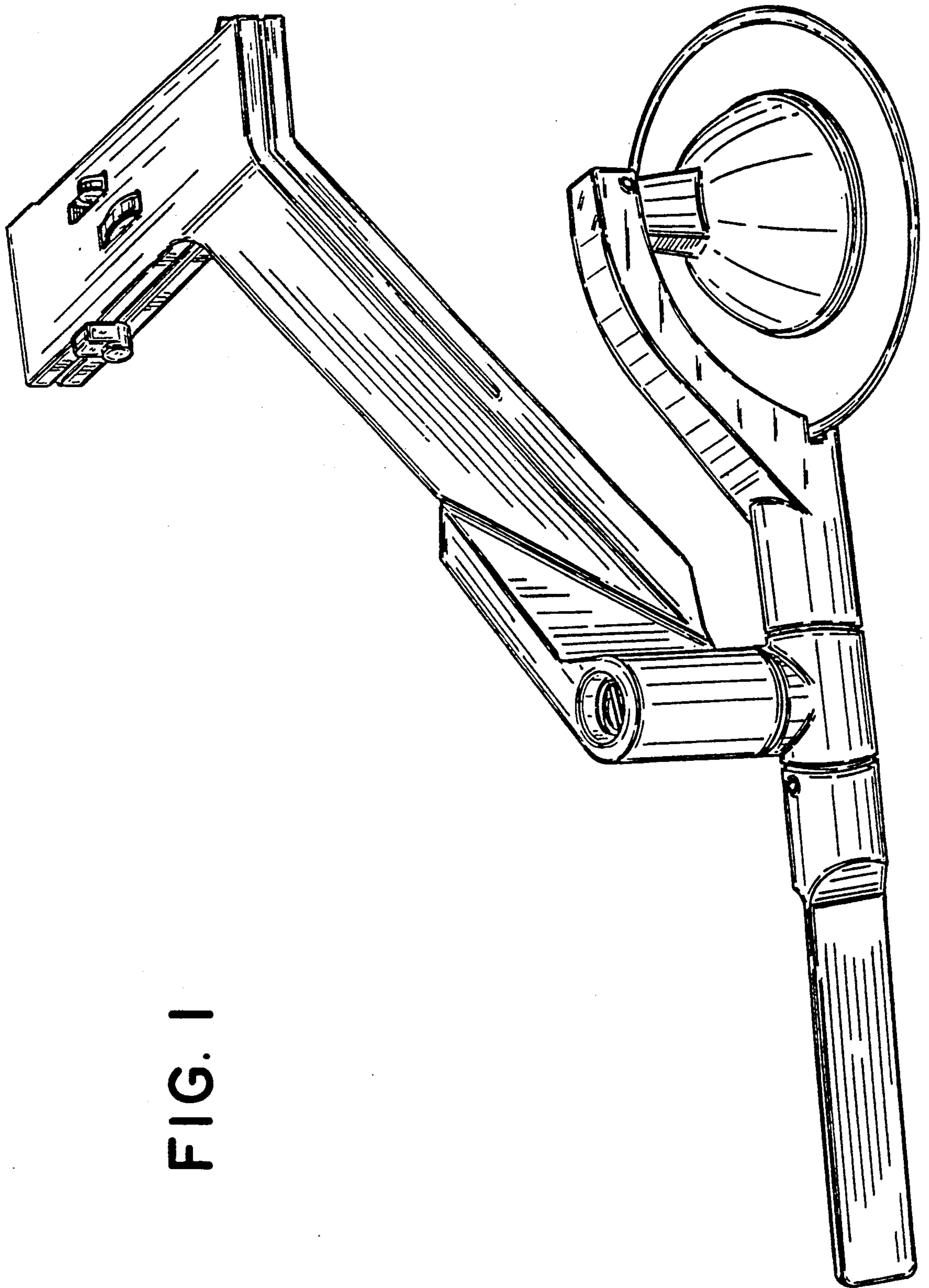


FIG. 1

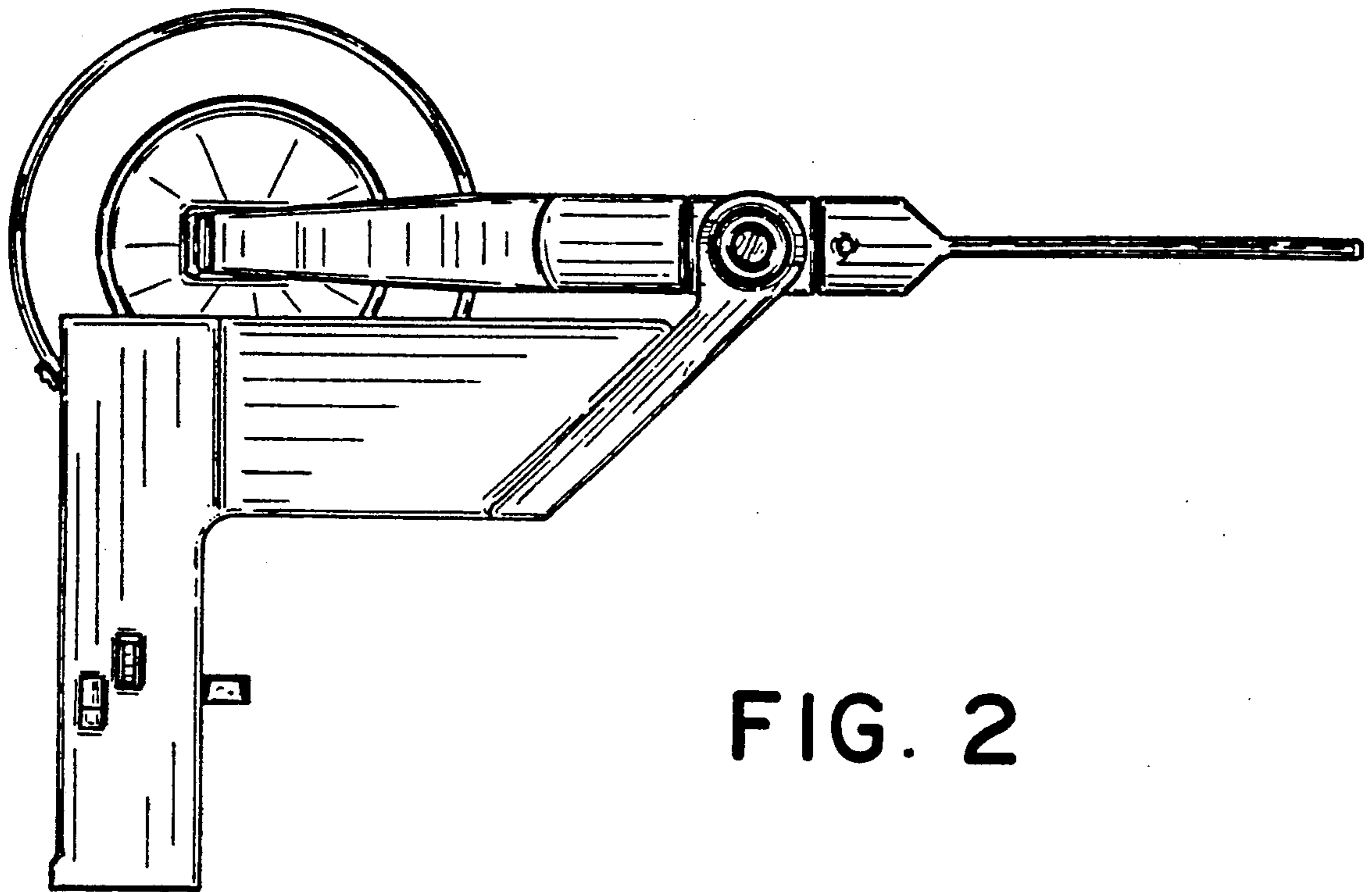


FIG. 2

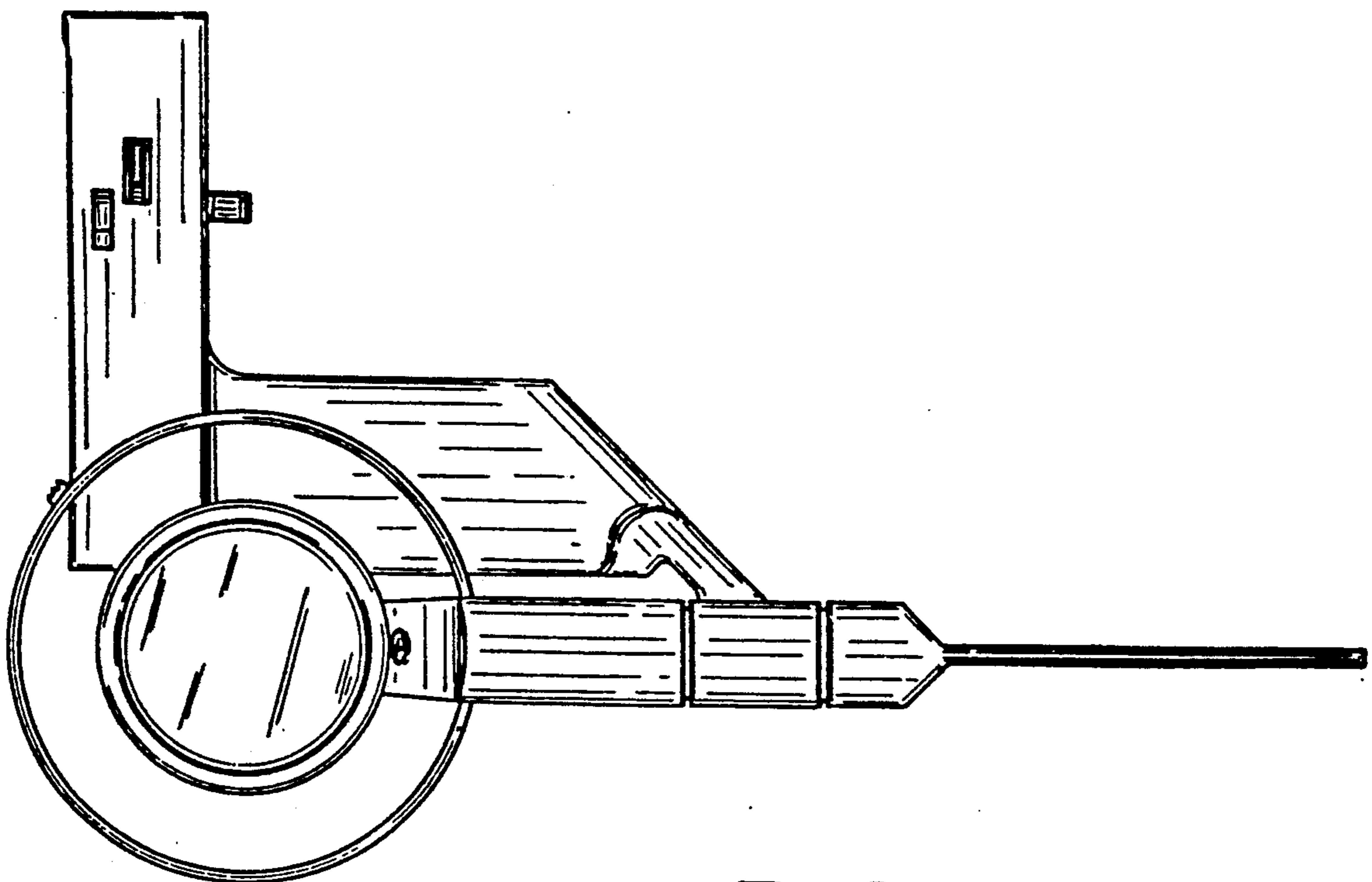


FIG. 3

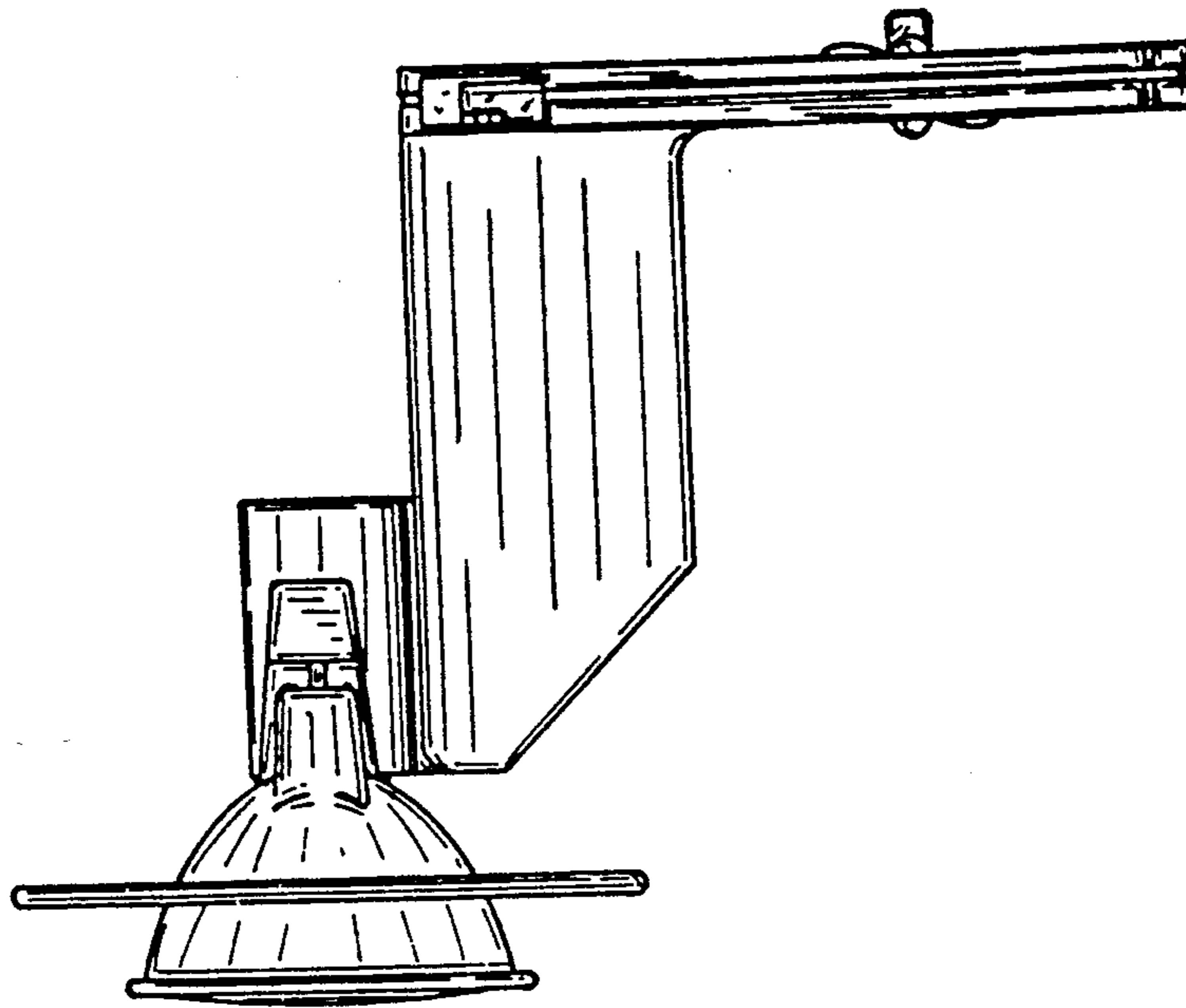


FIG. 4

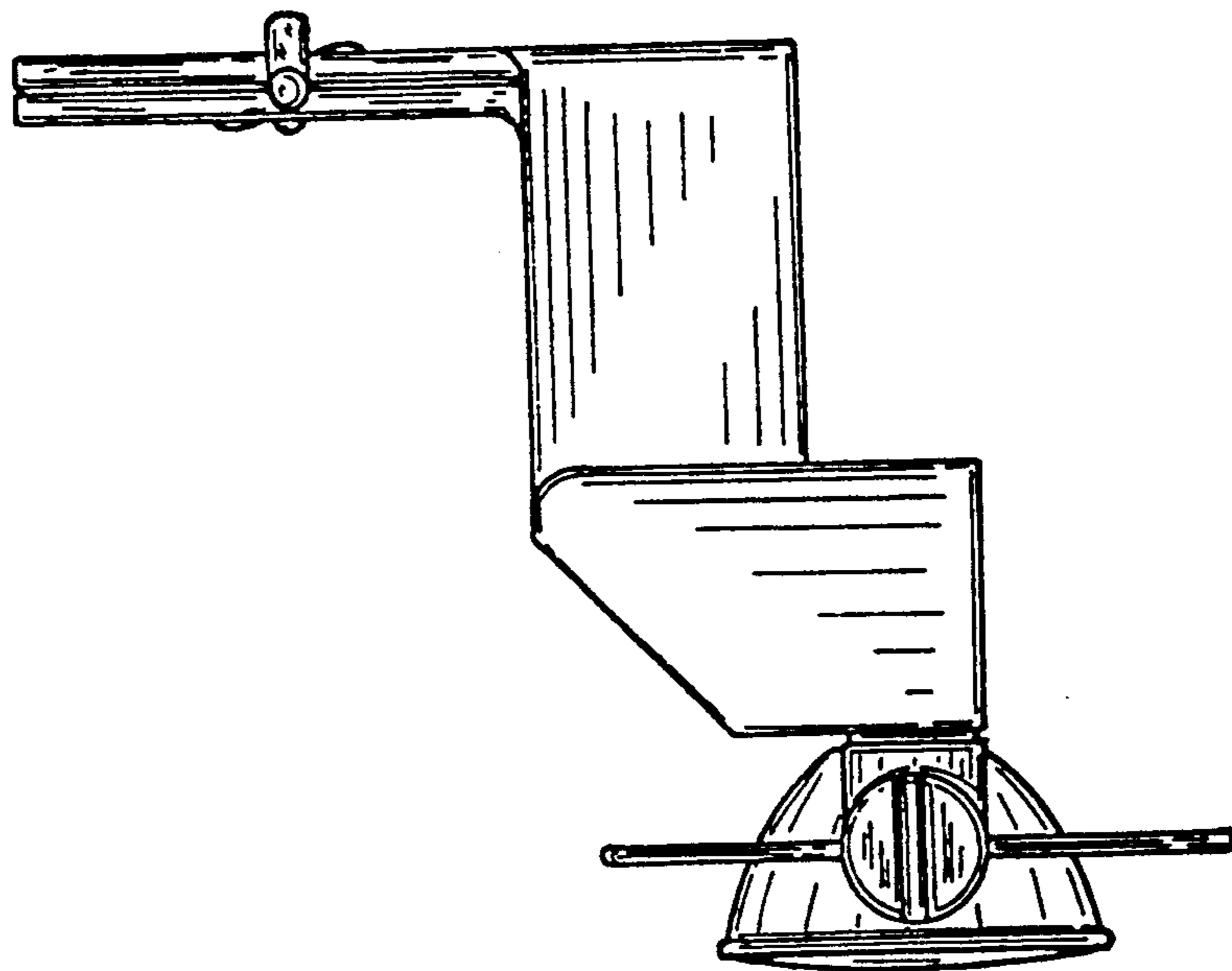


FIG. 5

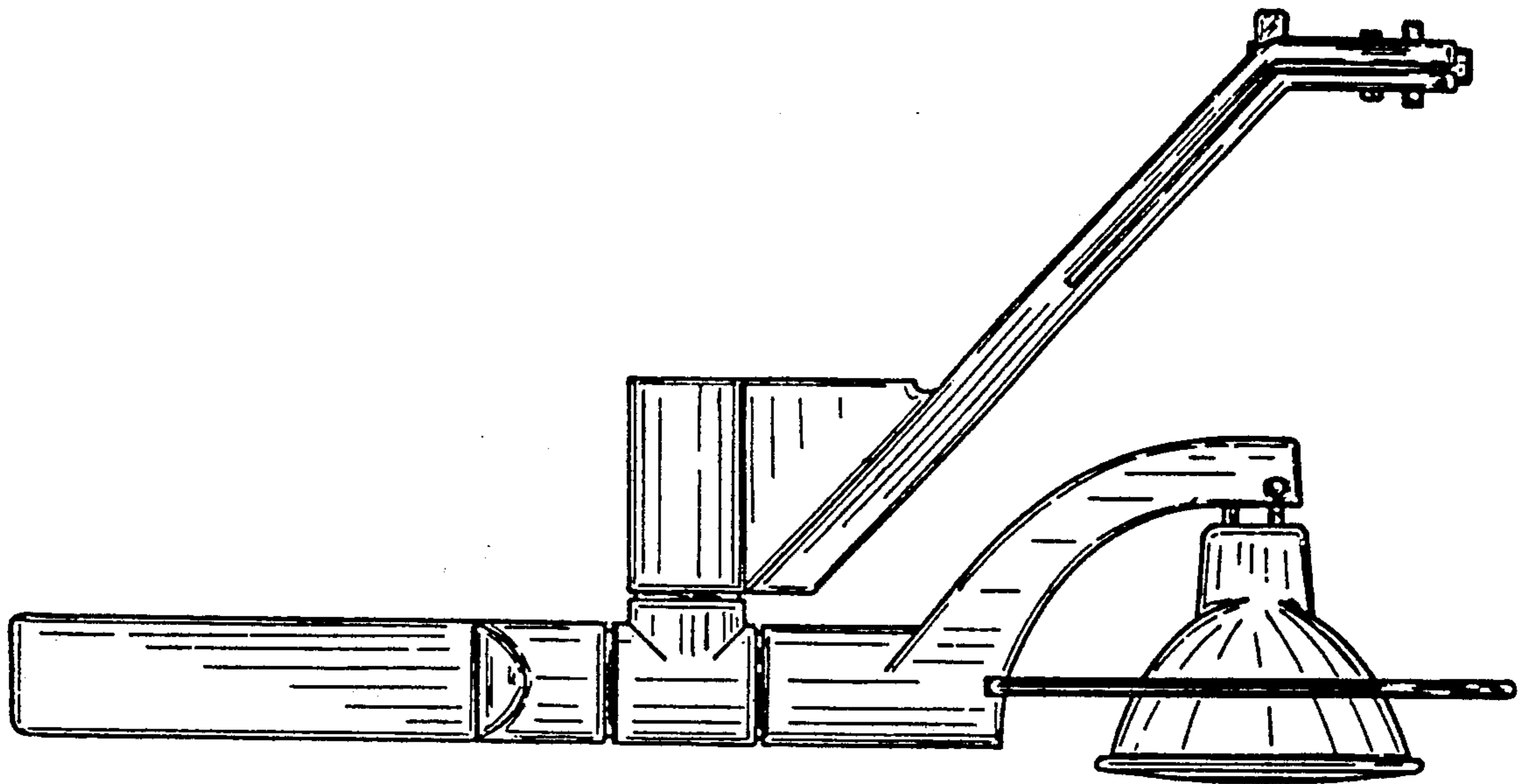


FIG. 6

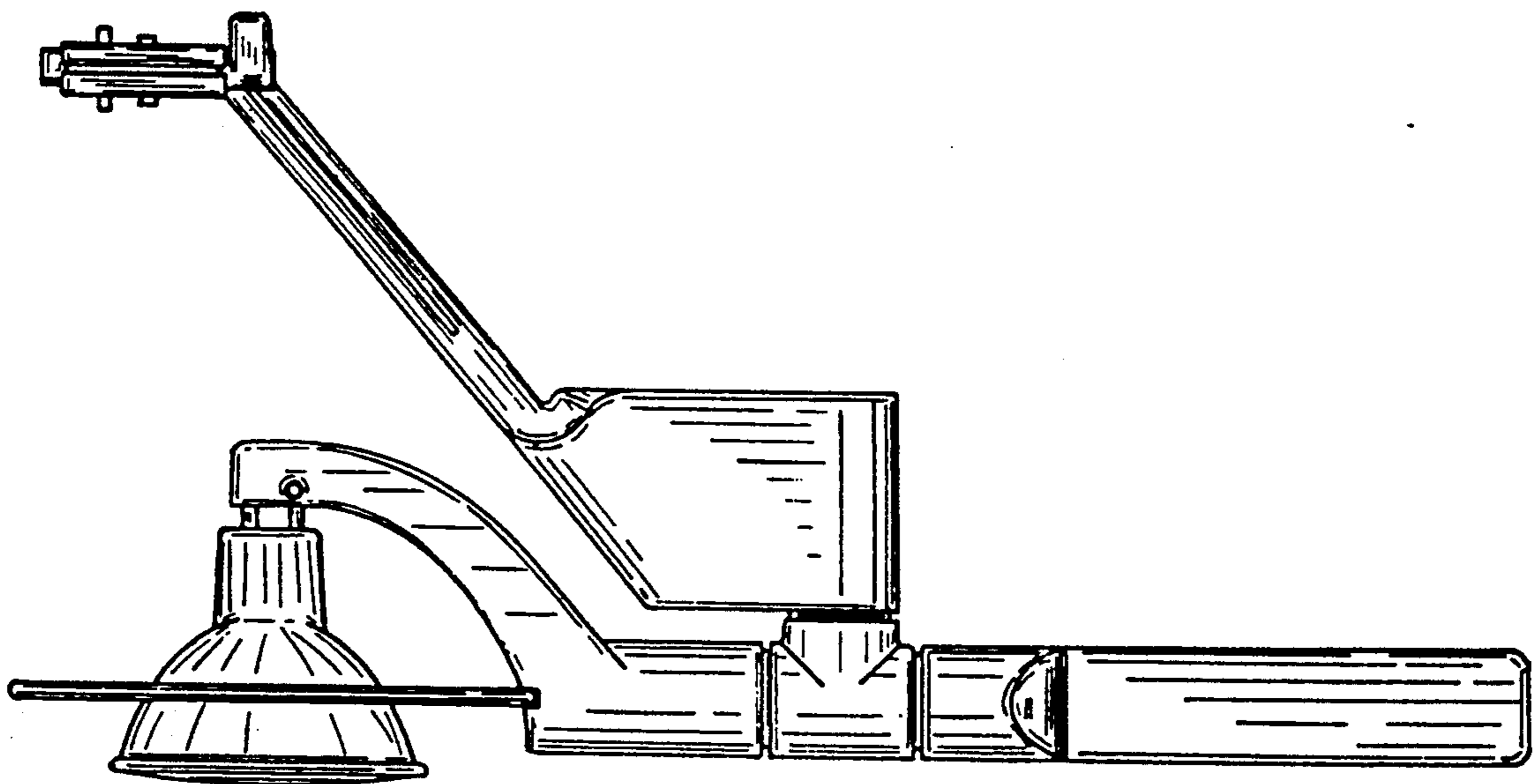


FIG. 7

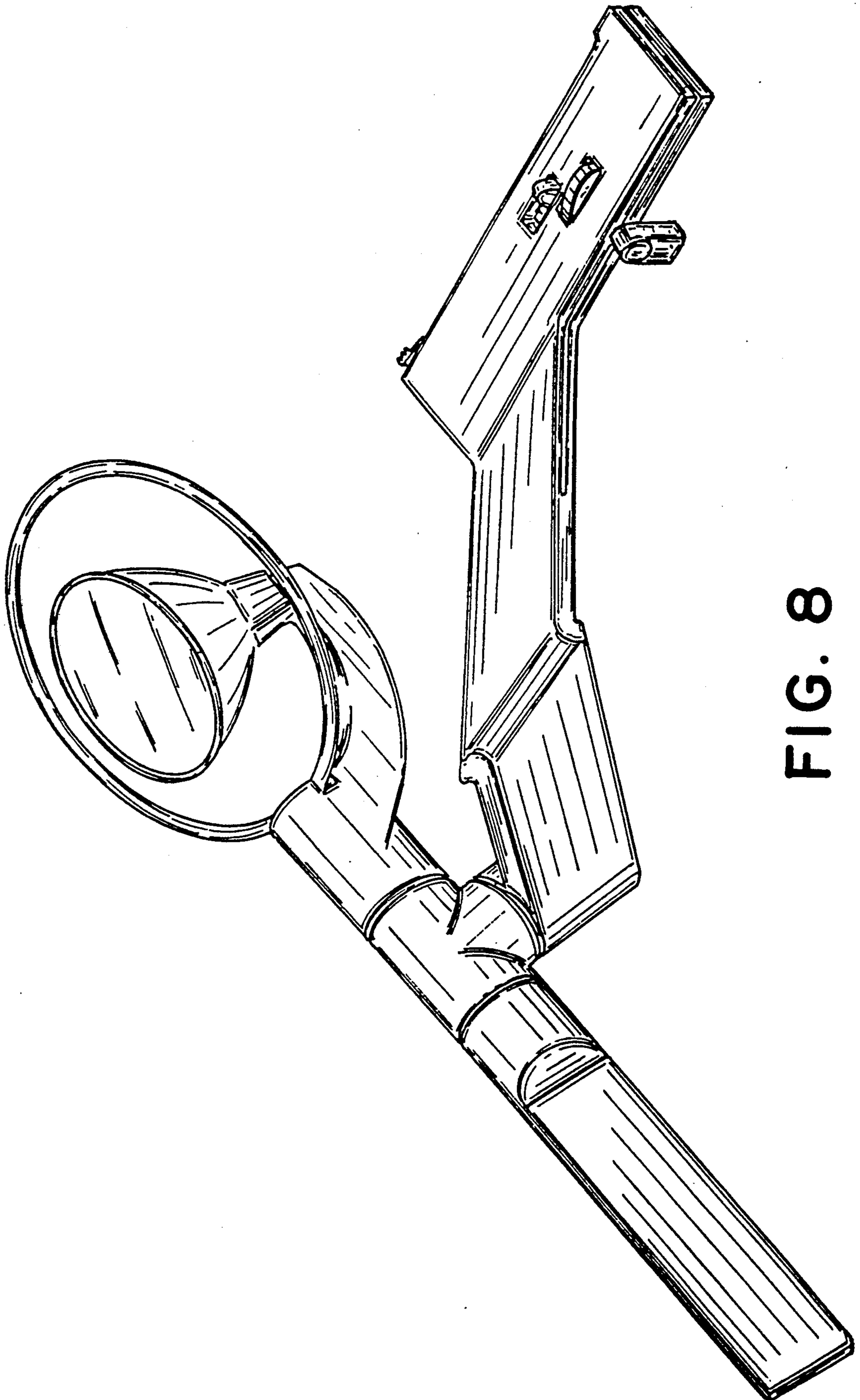


FIG. 8

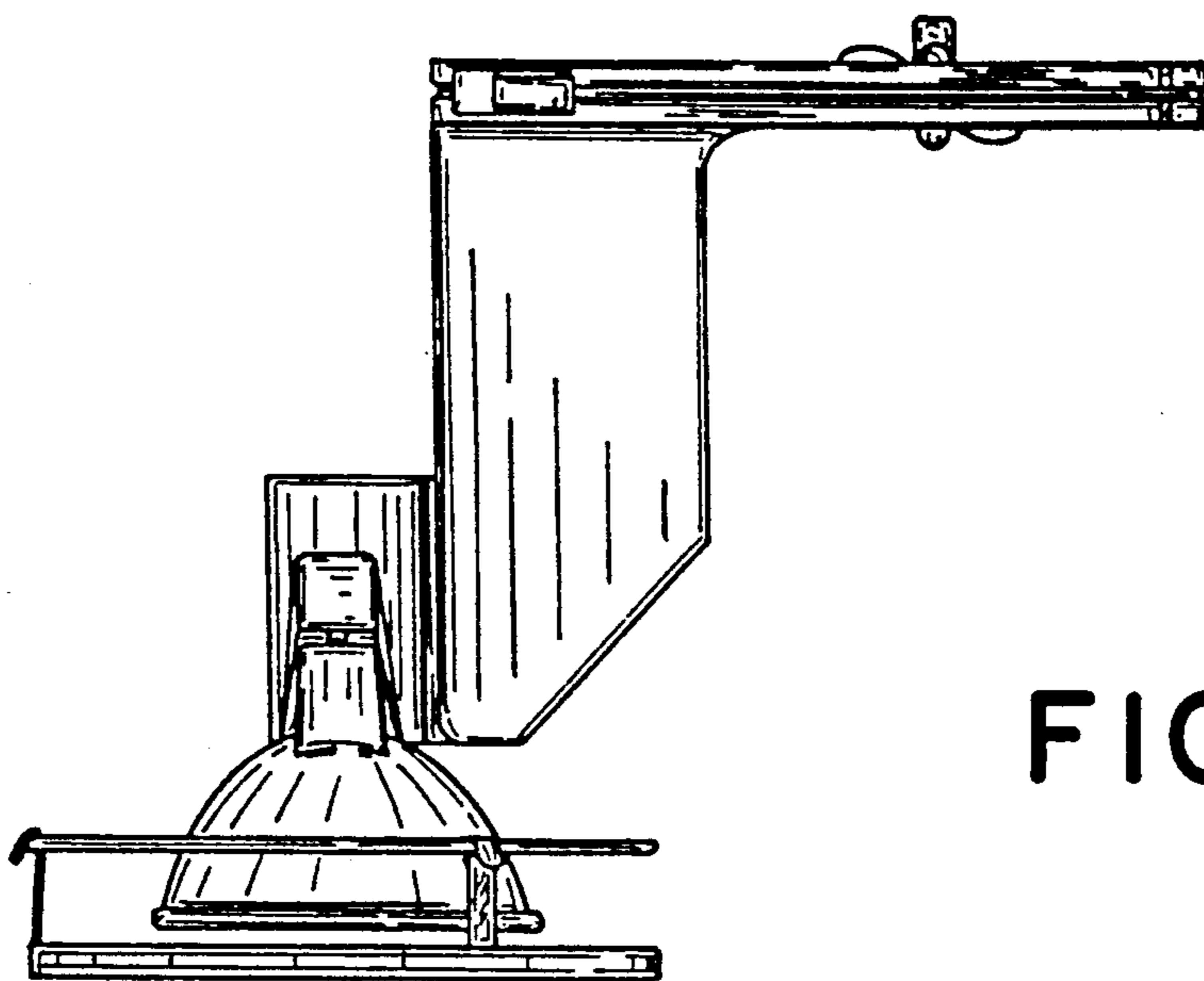


FIG. 9

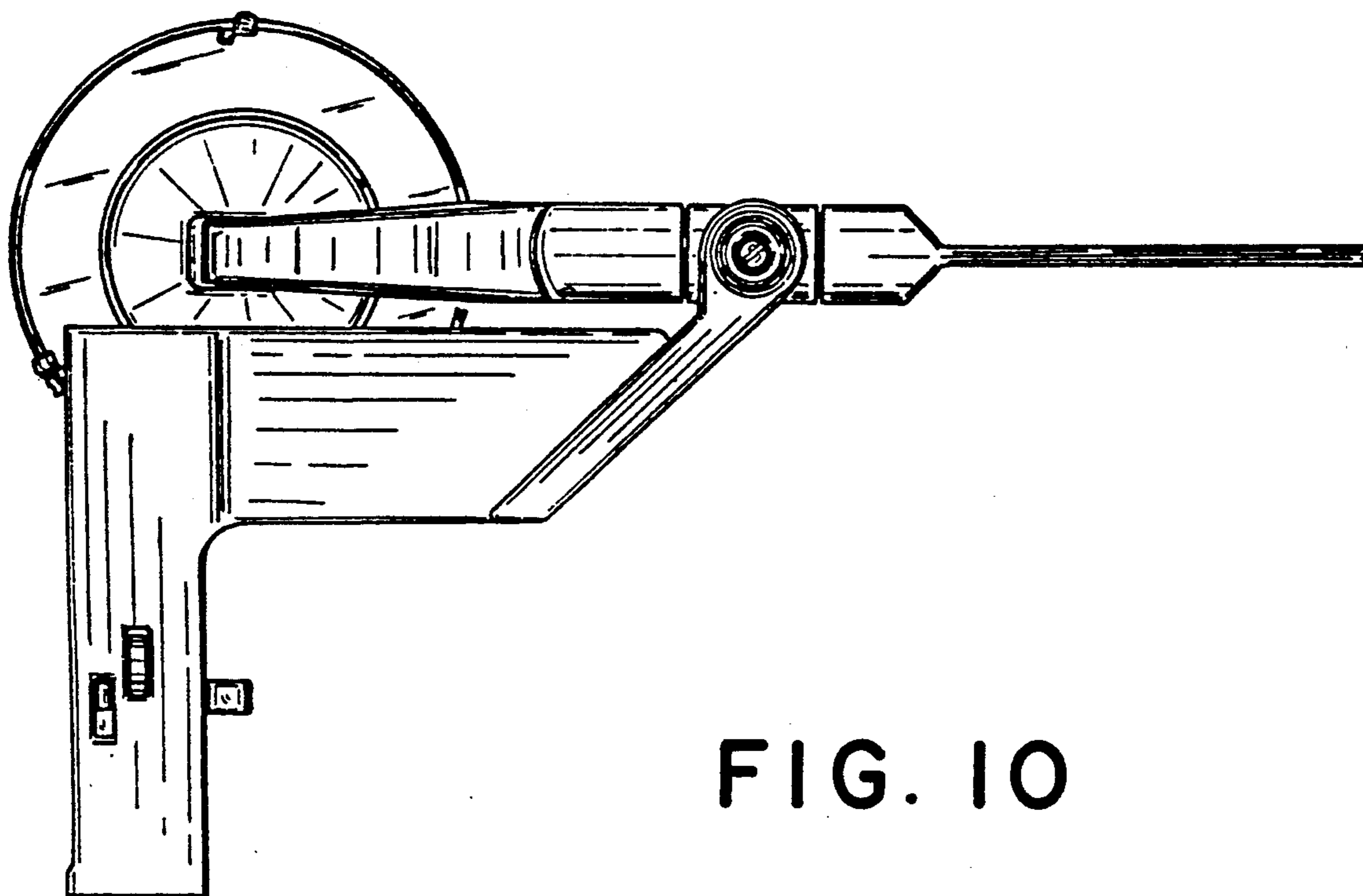


FIG. 10

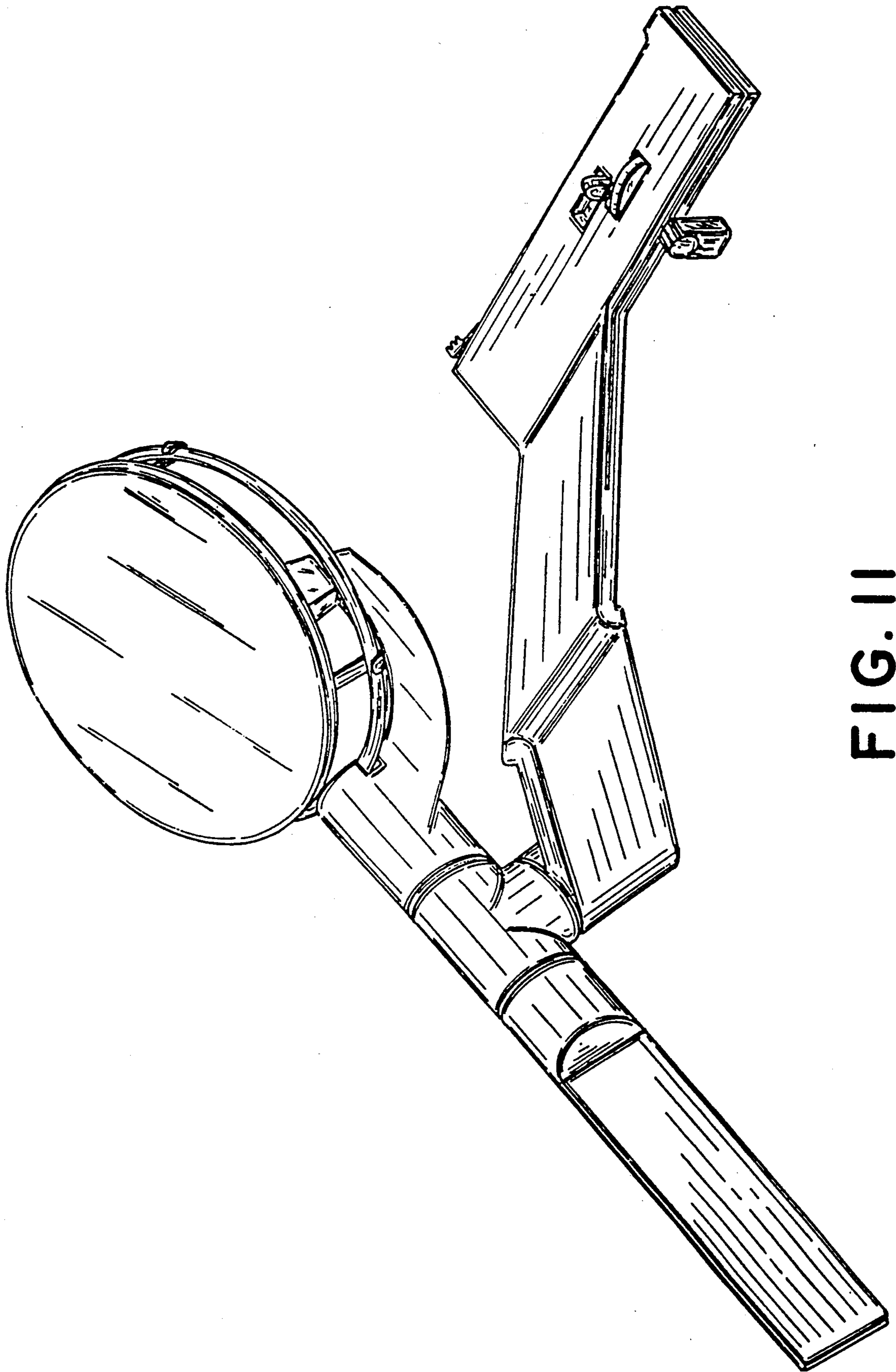


FIG. 11