

[54] **SPOTLIGHT**

4,727,460 2/1988 Payne 362/269

[75] **Inventor: Bruno Gecchelin, Milan, Italy**

OTHER PUBLICATIONS

[73] **Assignee: Iguzzini Illuminazione S.p.A., Recanati, Italy**

Home Lighting & Accessories, 1-1986, p. 29, Track Light.

[**] **Term: 14 Years**

Primary Examiner—Susan J. Lucas
Attorney, Agent, or Firm—Hedman, Gibson, Costigan & Hoare

[21] **Appl. No.: 164,981**

[22] **Filed: Mar. 7, 1988**

[57] **CLAIM**

[30] **Foreign Application Priority Data**

The ornamental design for a spotlight, as shown and described.

Sep. 15, 1987 [IT] Italy 22337/87[U]

[52] **U.S. Cl. D26/63**

DESCRIPTION

[58] **Field of Search D26/60-65; 362/33, 147, 269, 275, 287, 418, 419, 427, 428**

FIG. 1 is a top perspective view of a spotlight showing my new design;

[56] **References Cited**

FIG. 2 is a front elevational view thereof;

U.S. PATENT DOCUMENTS

D. 287,413 12/1986 Kusmer et al. D26/65

FIG. 3 is a rear elevational view thereof;

D. 299,552 1/1989 Donato D26/63

FIG. 4 is a first side elevational view thereof;

4,414,617 11/1983 Galindo D26/61 X

FIG. 5 is a second side elevational view thereof;

FIG. 6 is a bottom plan view thereof; and

FIG. 7 is a top plan view thereof.

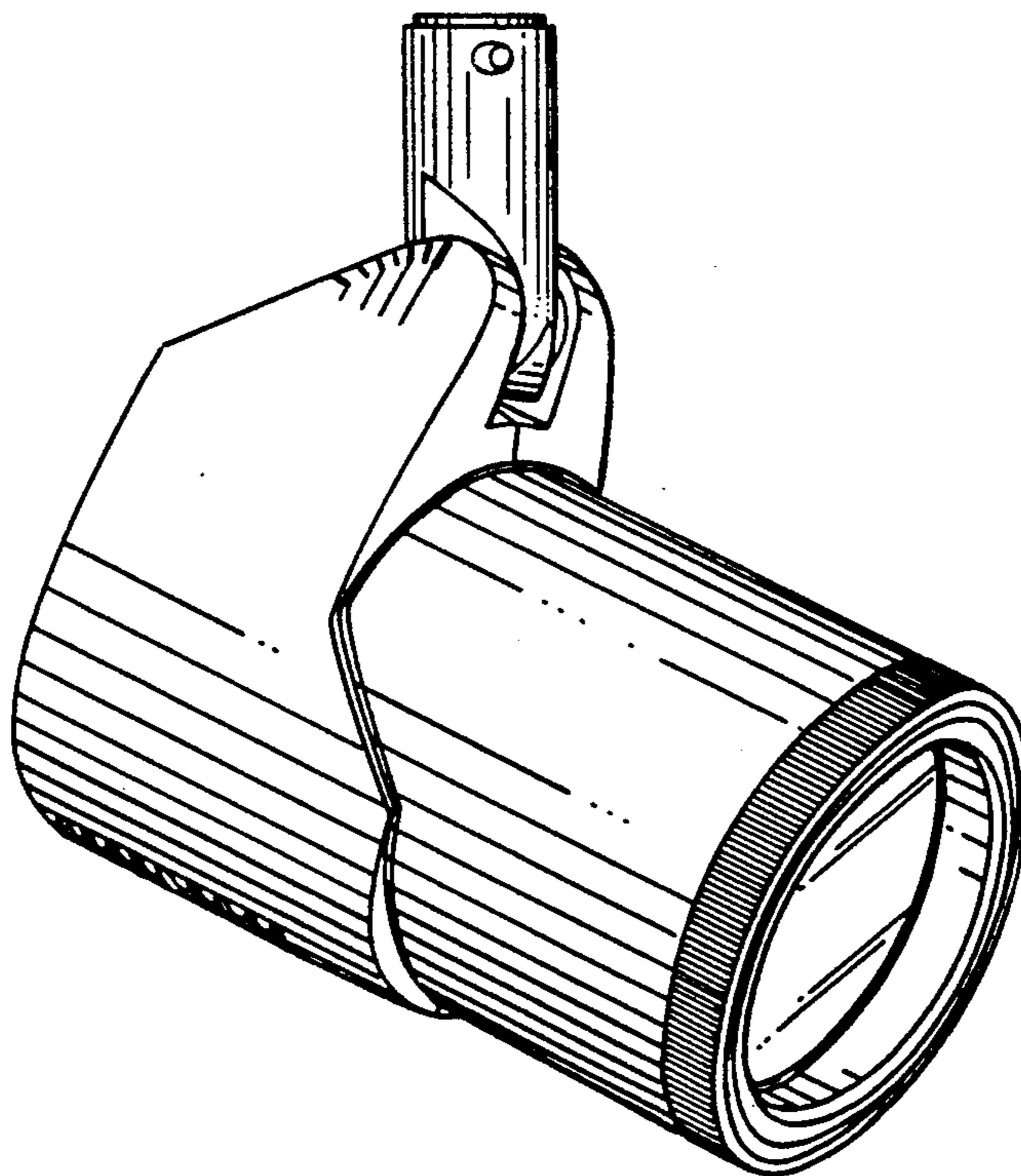


Fig.1

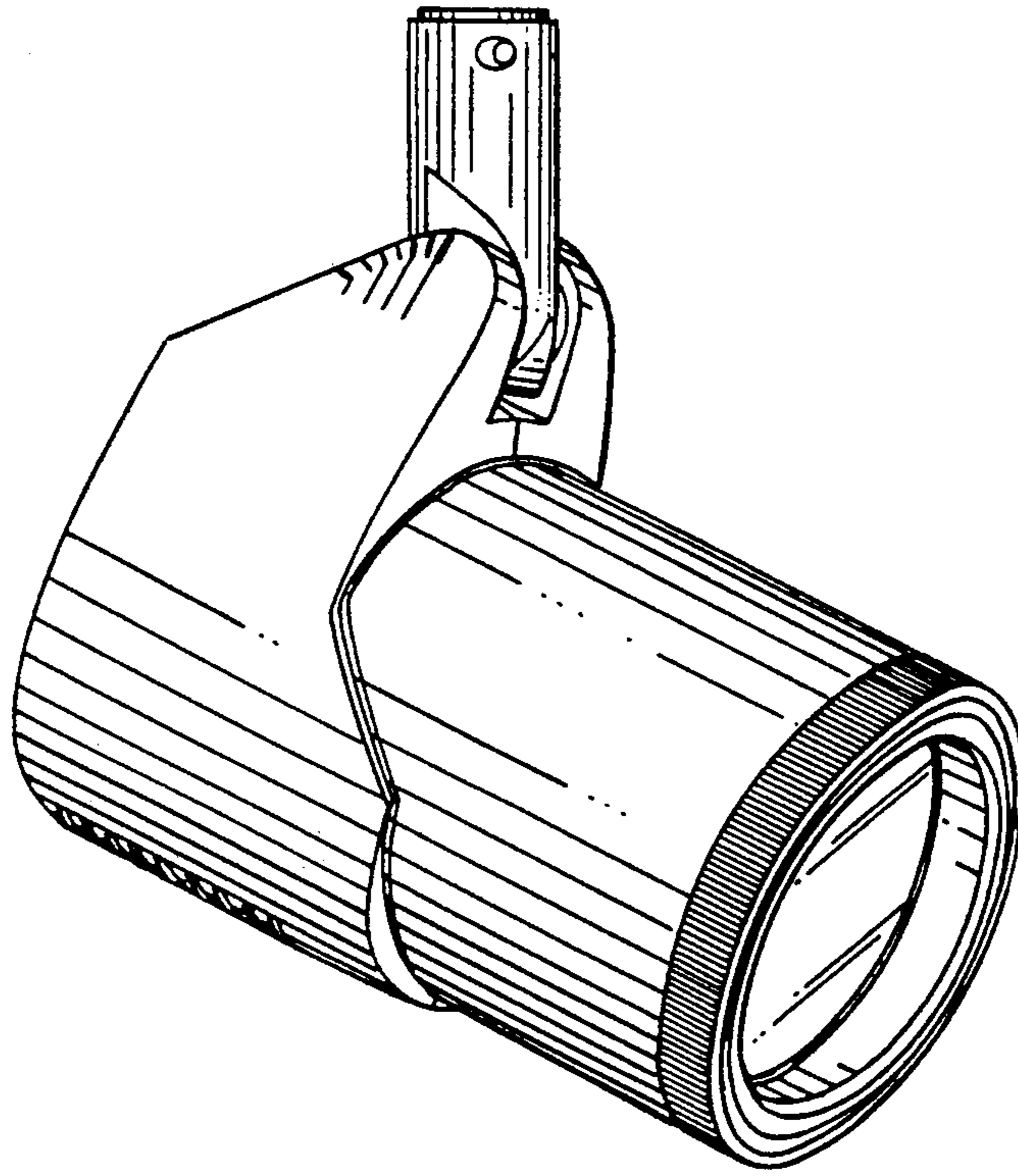


Fig.2

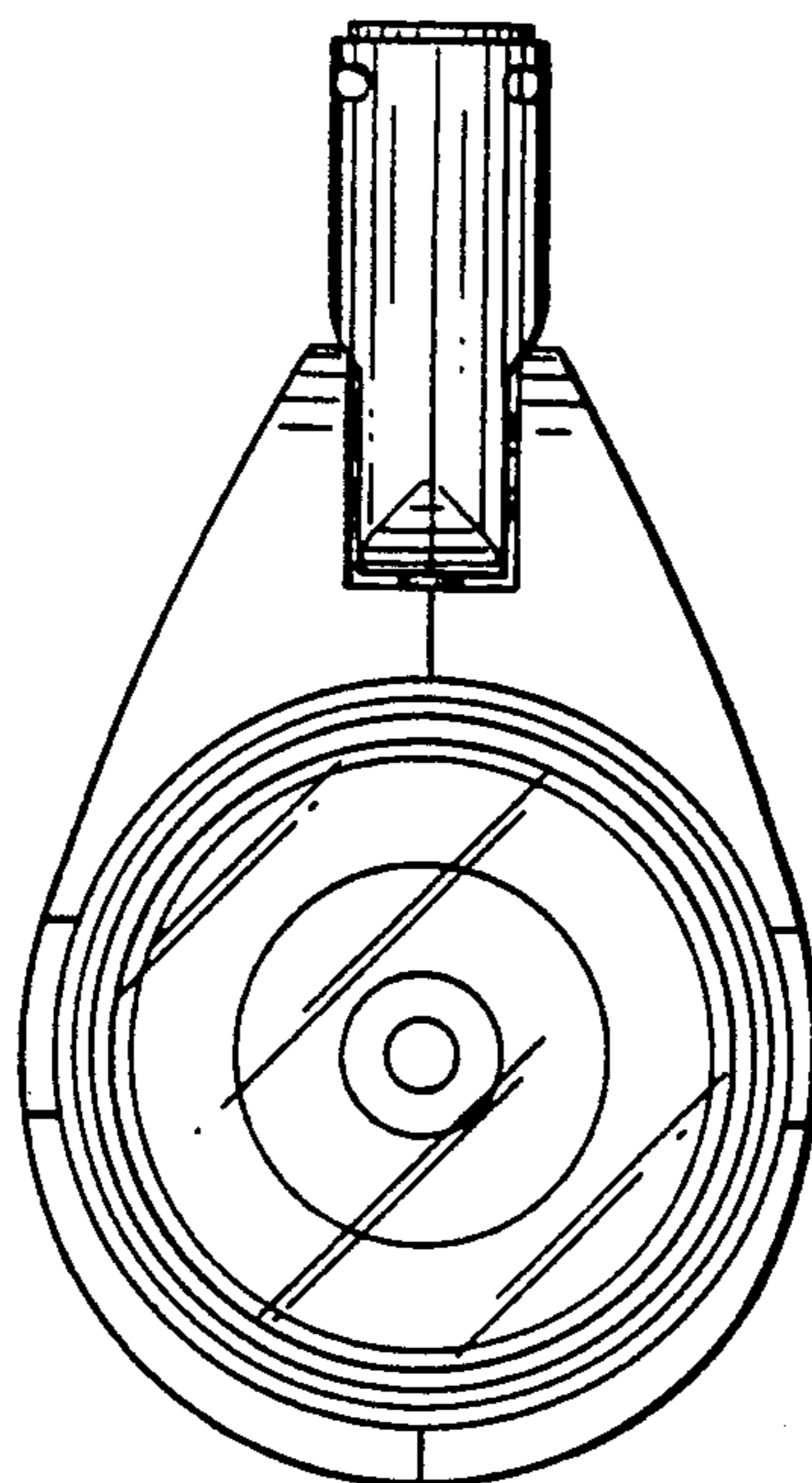


Fig. 3

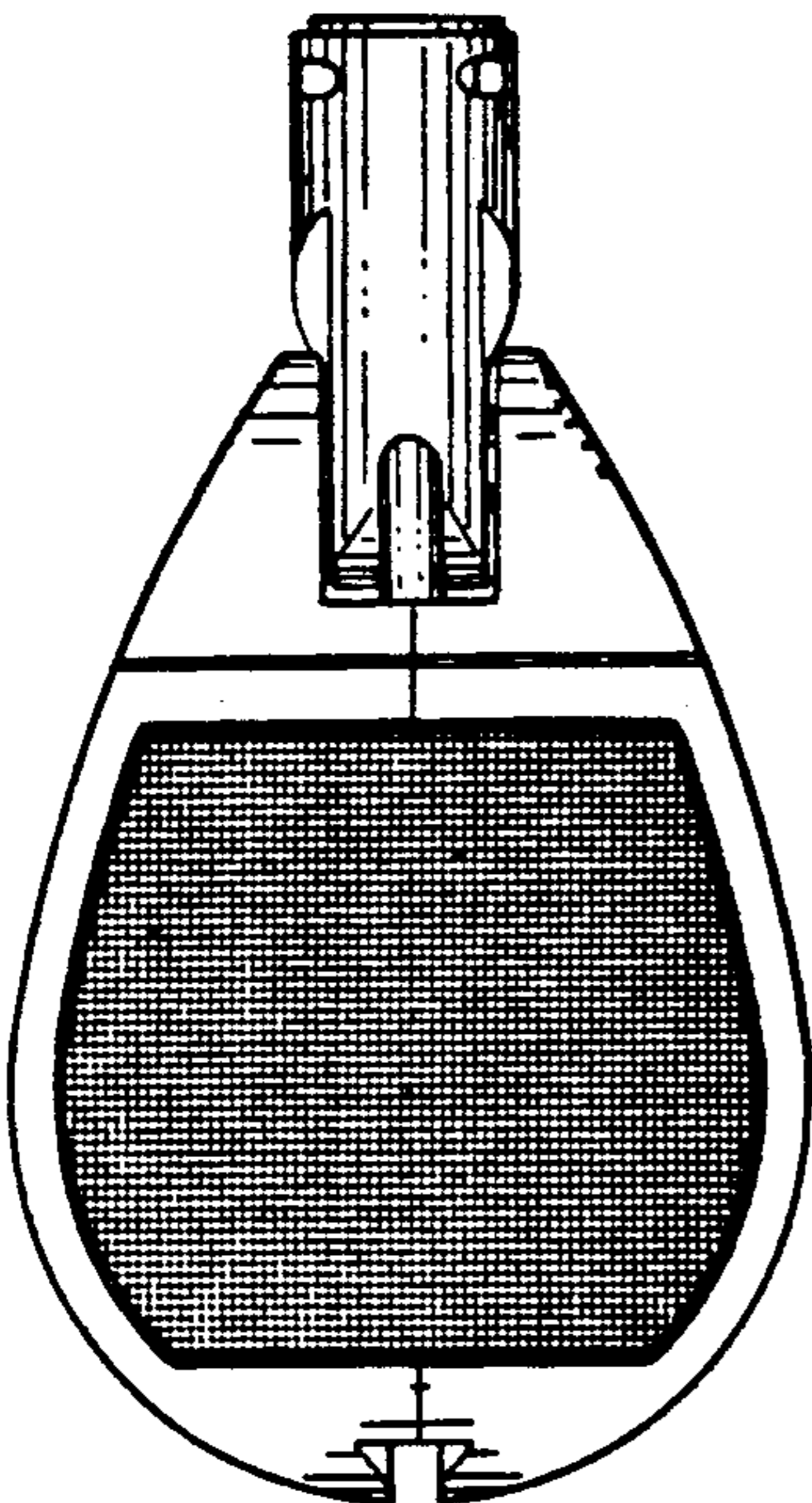


Fig. 4

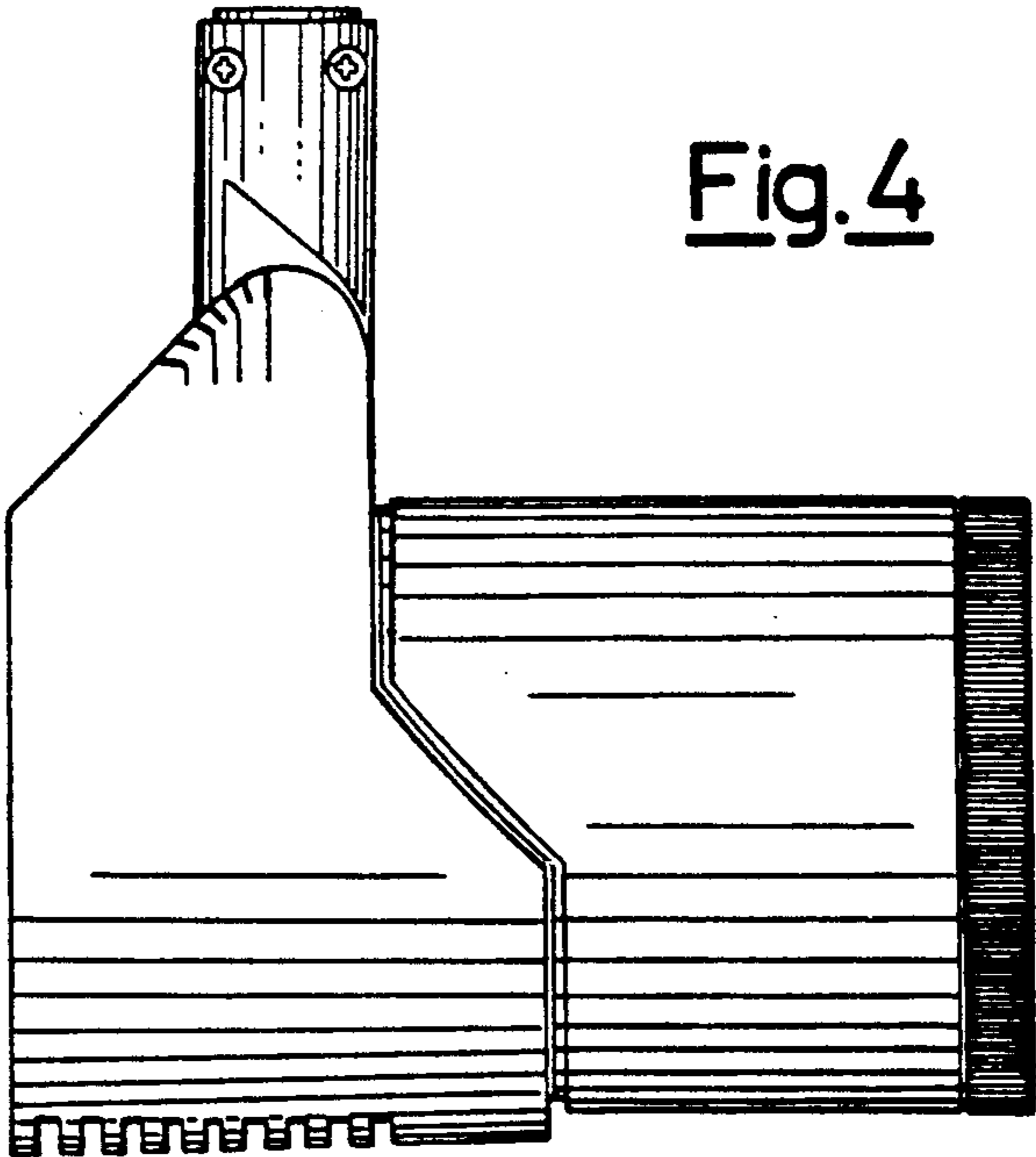


Fig. 5

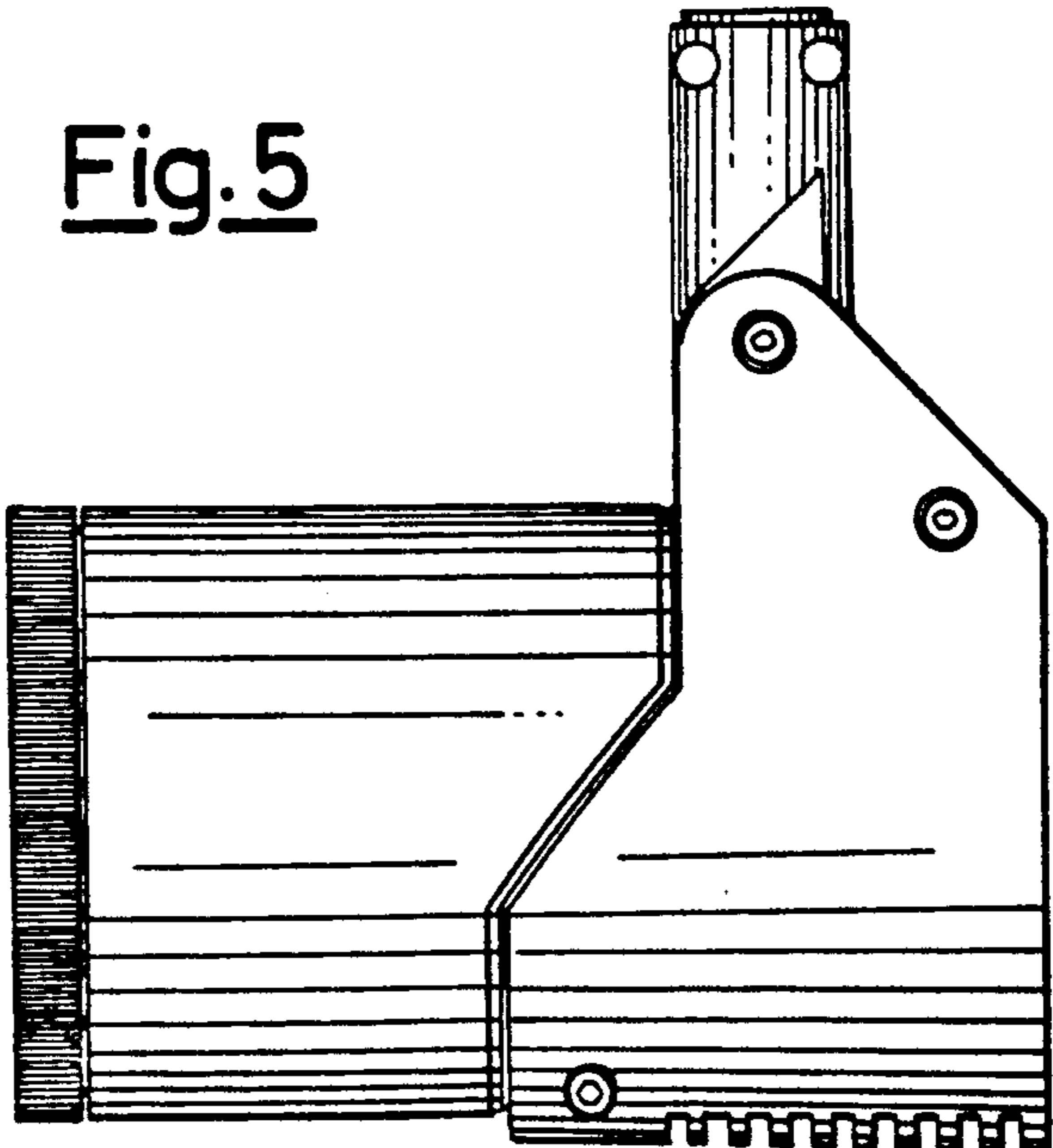


Fig. 6

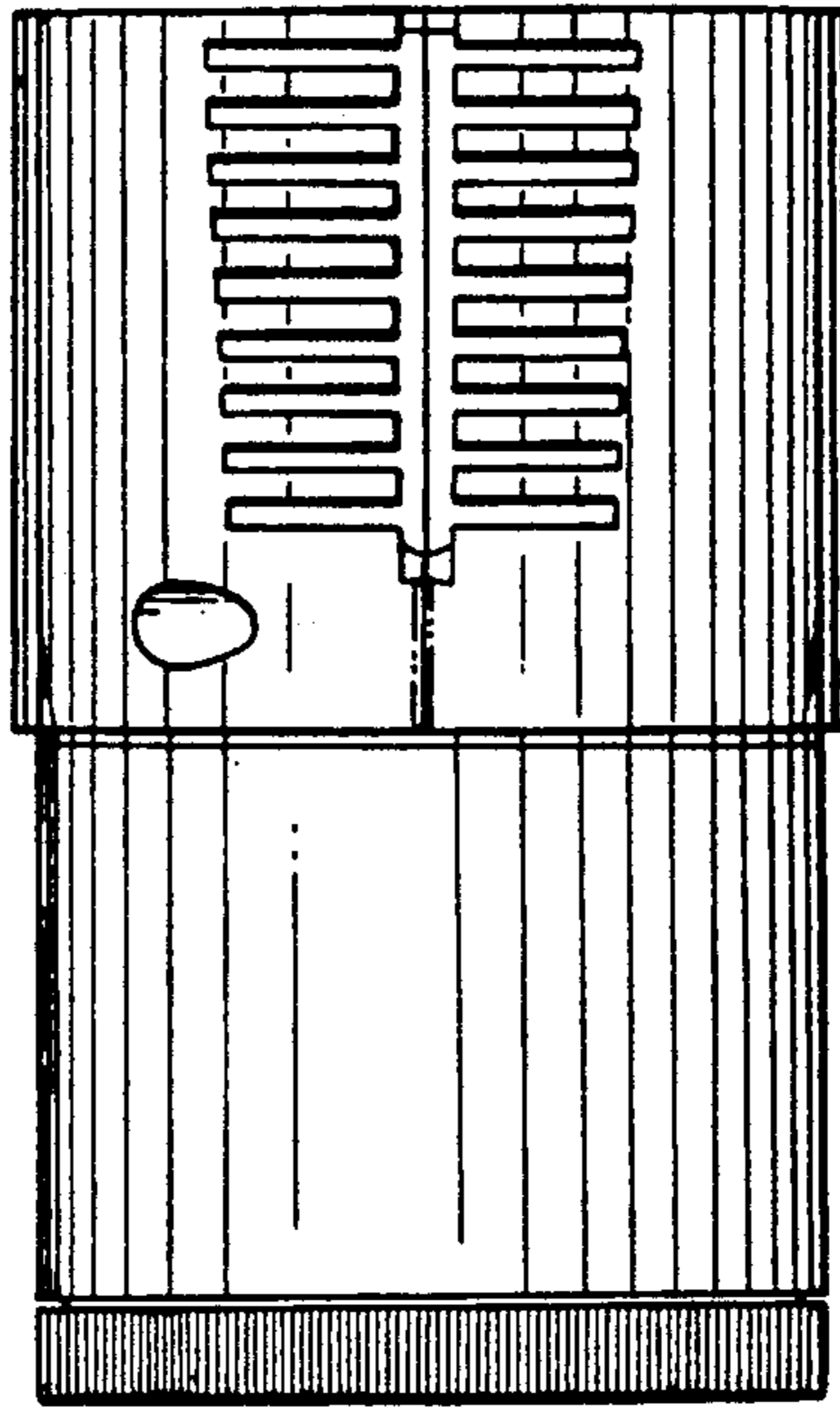


Fig. 7

