

United States Patent [19]

Heidmann

[11] Patent Number: **Des. 316,151**

[45] Date of Patent: **** Apr. 9, 1991**

[54] **EXTENSION PANEL**

[75] Inventor: **Charles Heidmann, Strasbourg, France**

[73] Assignee: **Steelcase Strafor, Strasbourg, France**

[**] Term: **14 Years**

[21] Appl. No.: **314,421**

[22] Filed: **Feb. 22, 1989**

[30] **Foreign Application Priority Data**

Aug. 30, 1988 [FR] France 885 495

[52] U.S. Cl. **D25/138**

[58] Field of Search D25/58, 138, 139;
D26/1-7, 24, 42, 51, 71, 72, 75, 76, 87; 52/262,
241, 242, 290; 350/642; 362/147, 432, 2, 135,
217, 232, 234, 253, 279; 181/30, 295

[56] **References Cited**

U.S. PATENT DOCUMENTS

1,938,237 12/1933 Wagenhorst 362/147

2,759,093 8/1956 Ferar et al. 181/295

3,389,246 6/1968 Shemitz 362/147
3,592,289 7/1971 Agsta et al. 181/30
3,998,027 12/1976 Wendt et al. 52/242

Primary Examiner—A. Hugo Word

Assistant Examiner—Doris Clark

Attorney, Agent, or Firm—Morgan & Finnegan

[57] **CLAIM**

The ornamental design for an extension panel, as shown.

DESCRIPTION

FIG. 1 is a perspective view of an extension panel showing my new design;

FIG. 2 is a front elevational view thereof;

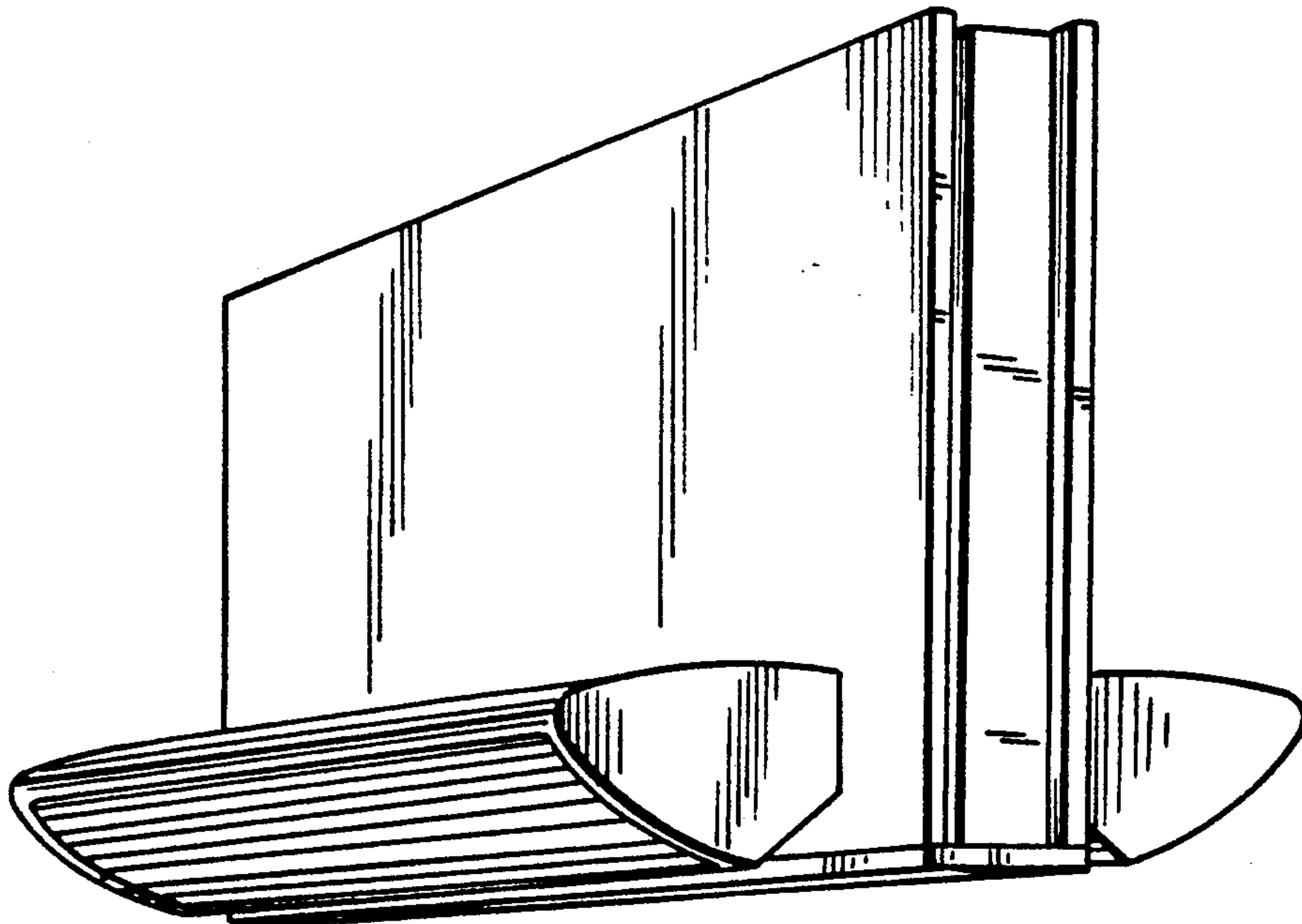
FIG. 3 is an end elevational view thereof;

FIG. 4 is a top plan view thereof;

FIG. 5 is a front elevational view of the extension panel mounted on a wall, the broken line showing of a wall is for illustrative purposes only and forms no part of the claimed design;

FIG. 6 is an end elevational view thereof; and

FIG. 7 is a perspective view of thereof.



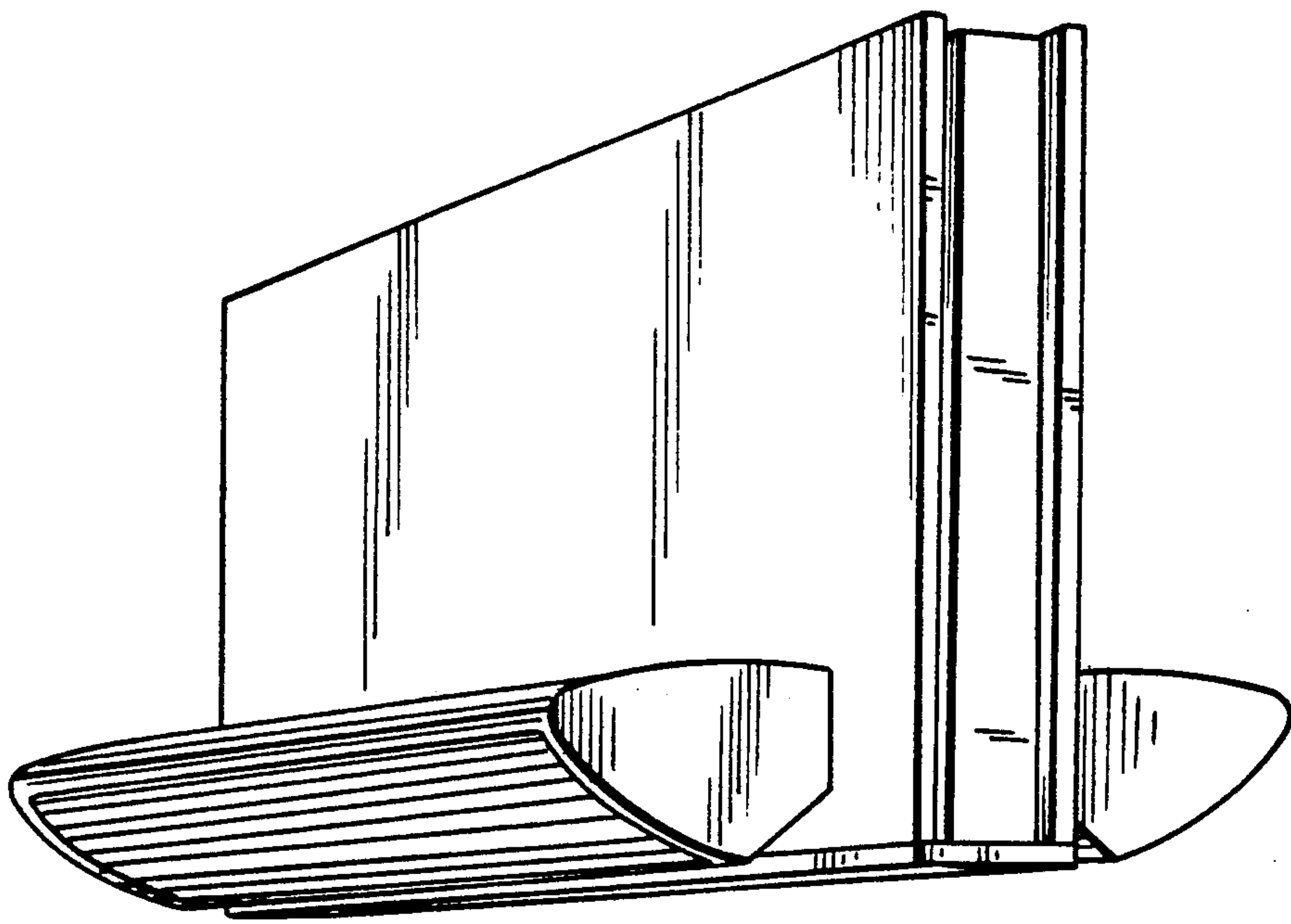


FIG. 1

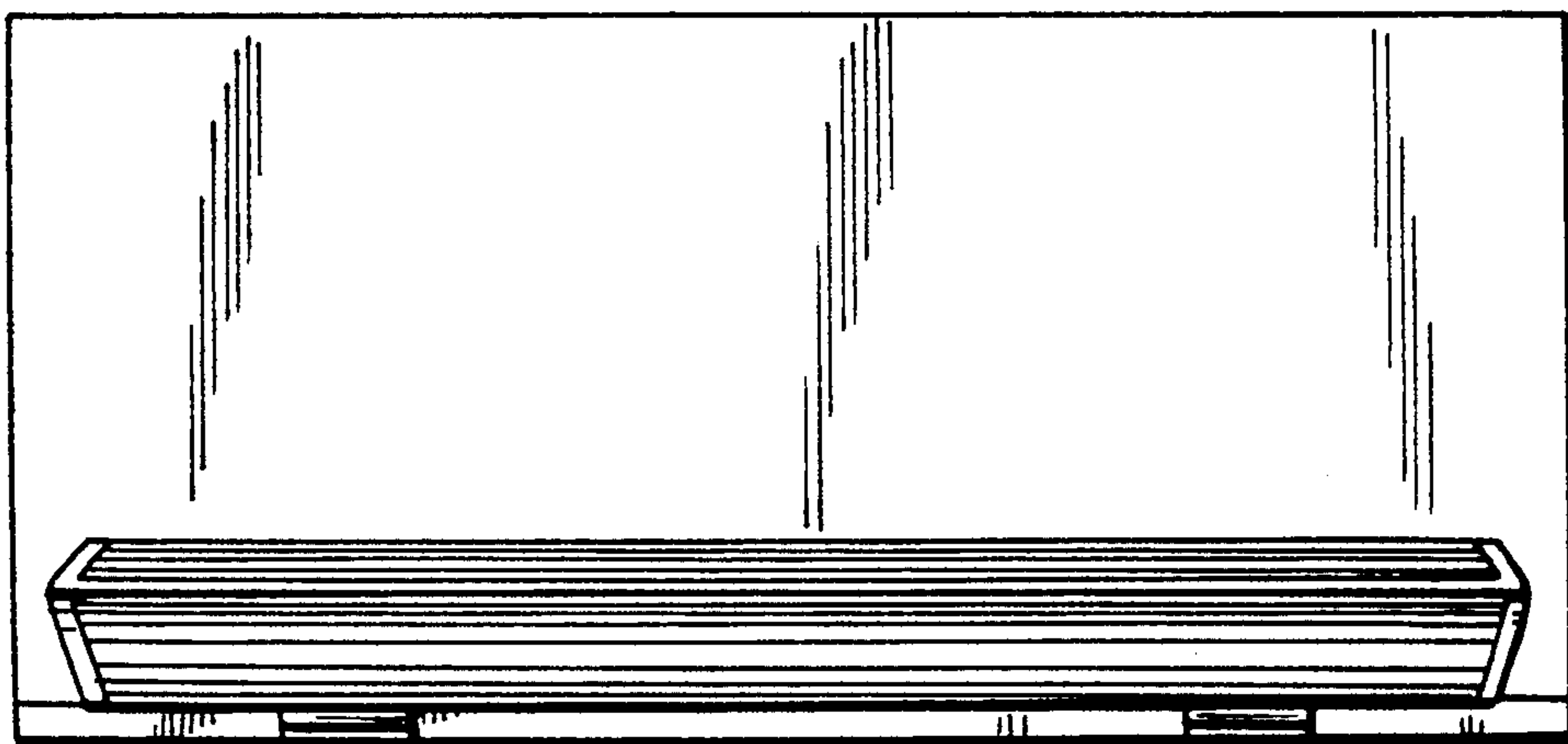


FIG.2

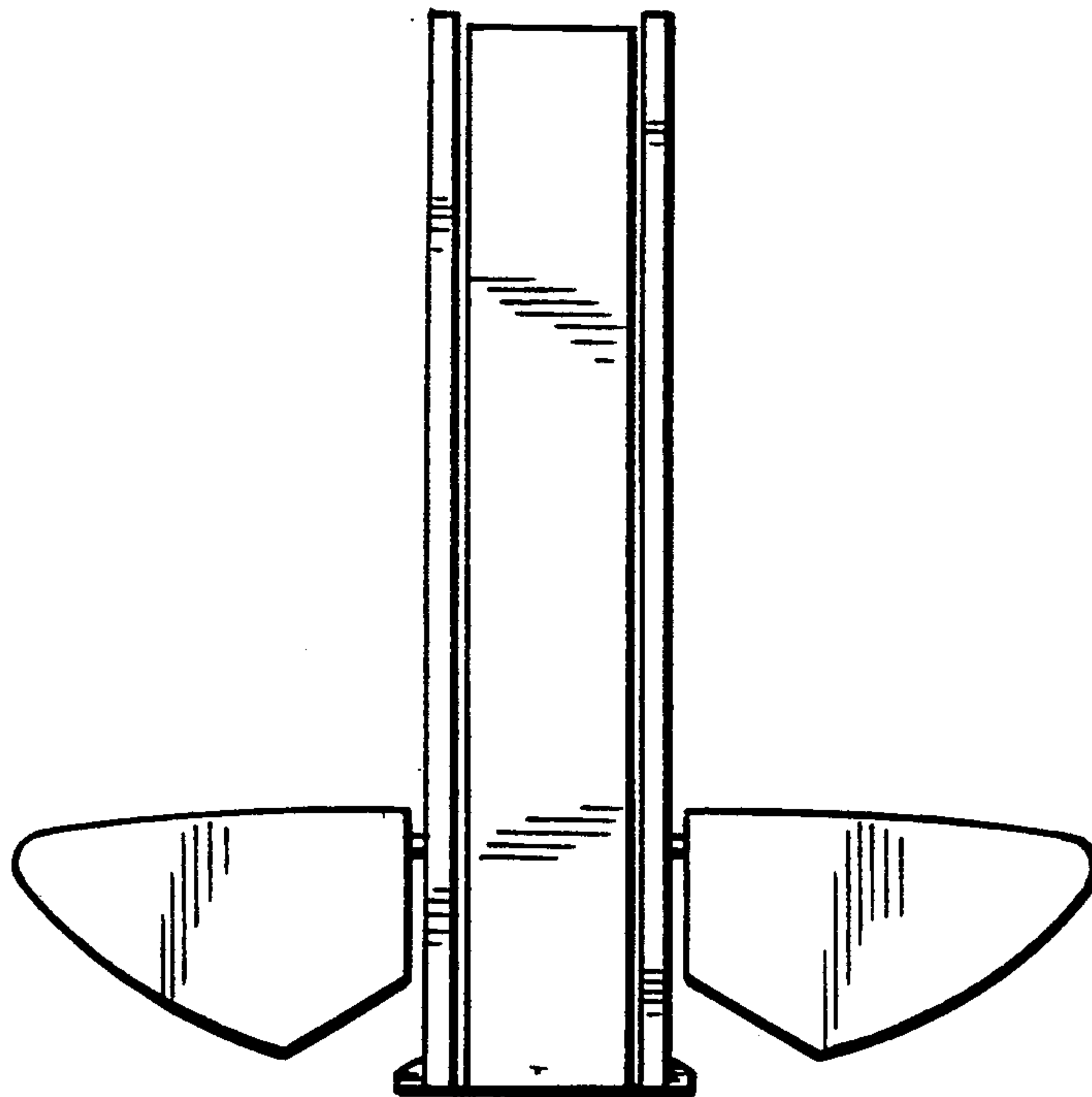


FIG. 3

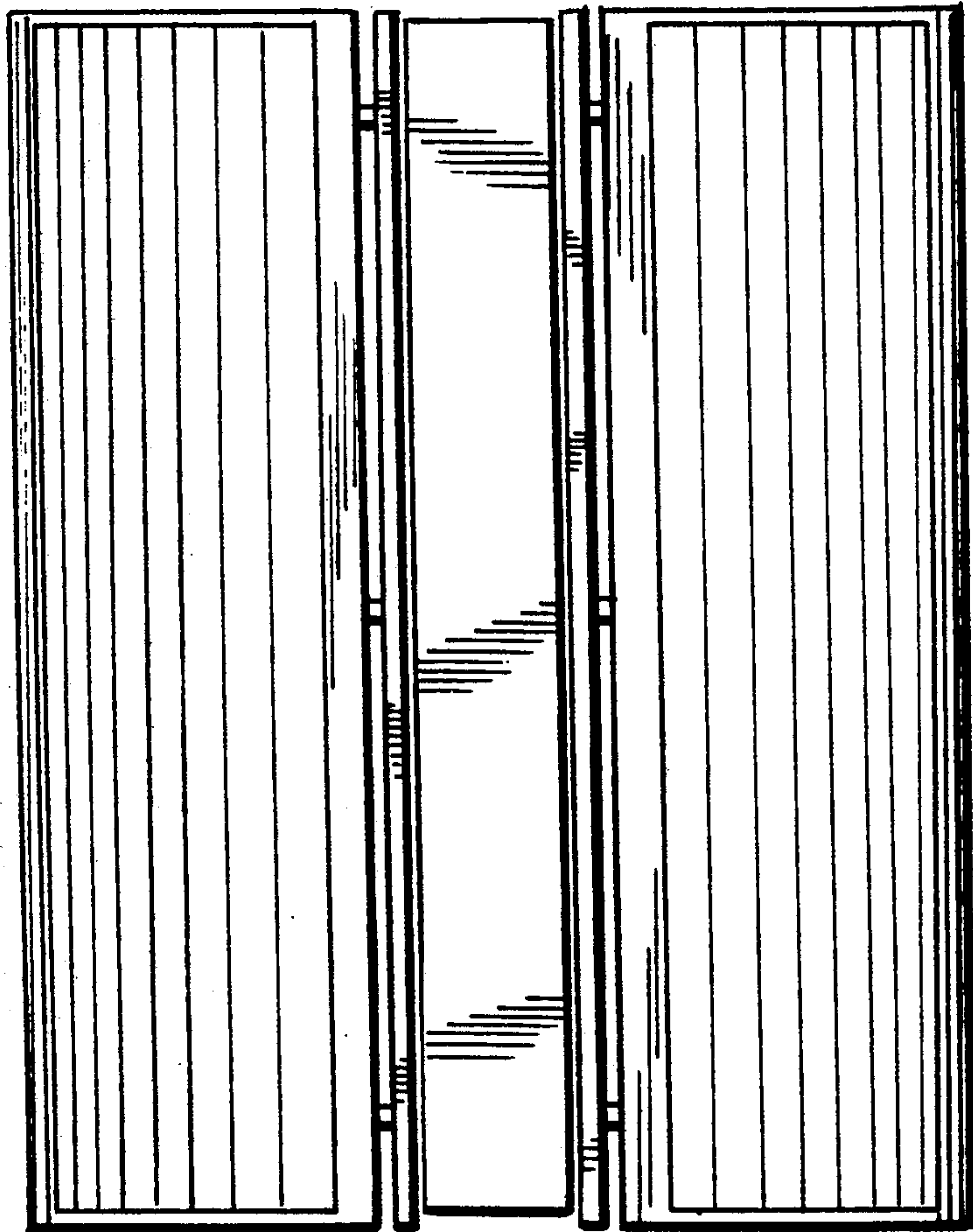


FIG.4

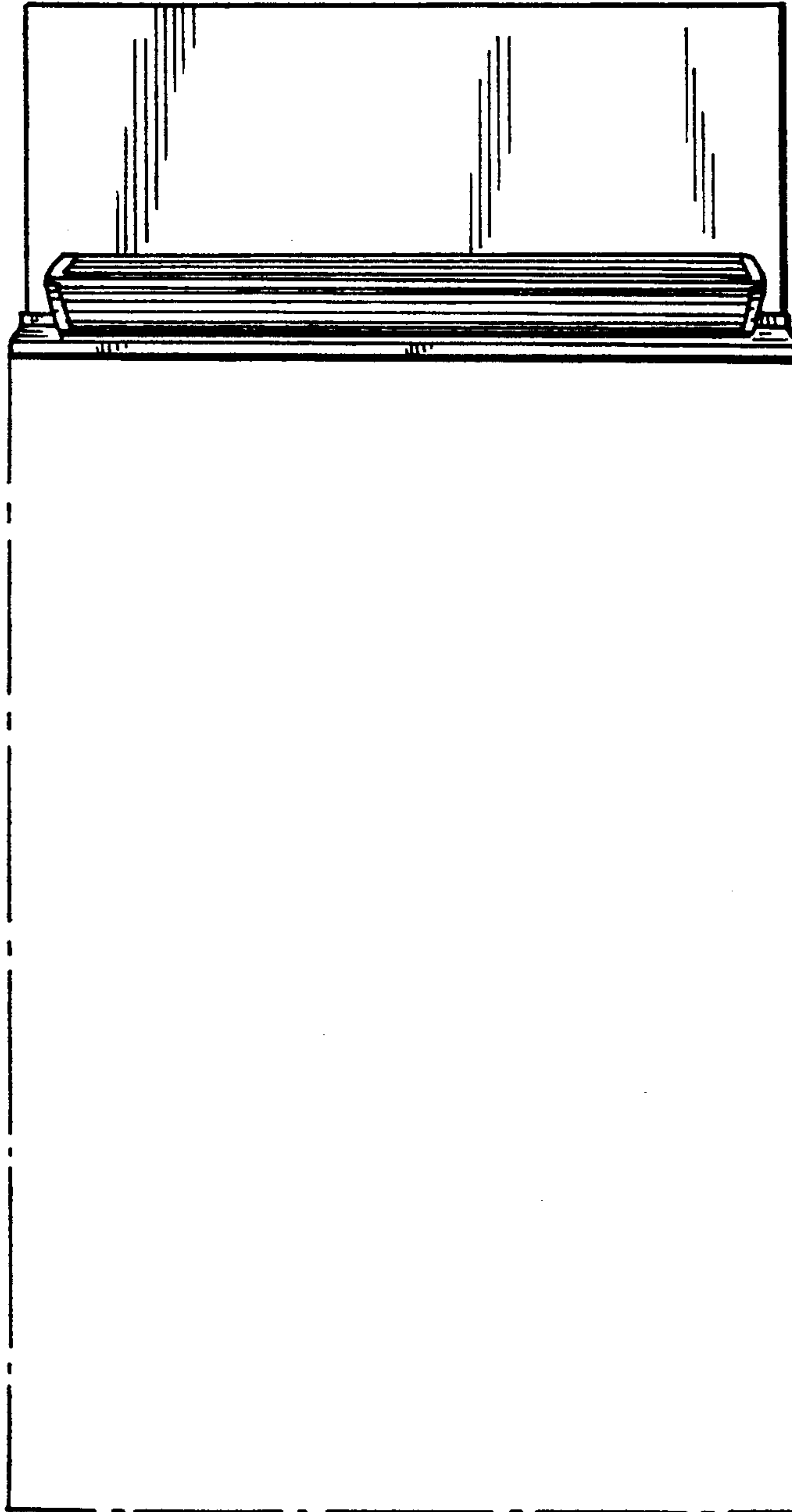


FIG.5

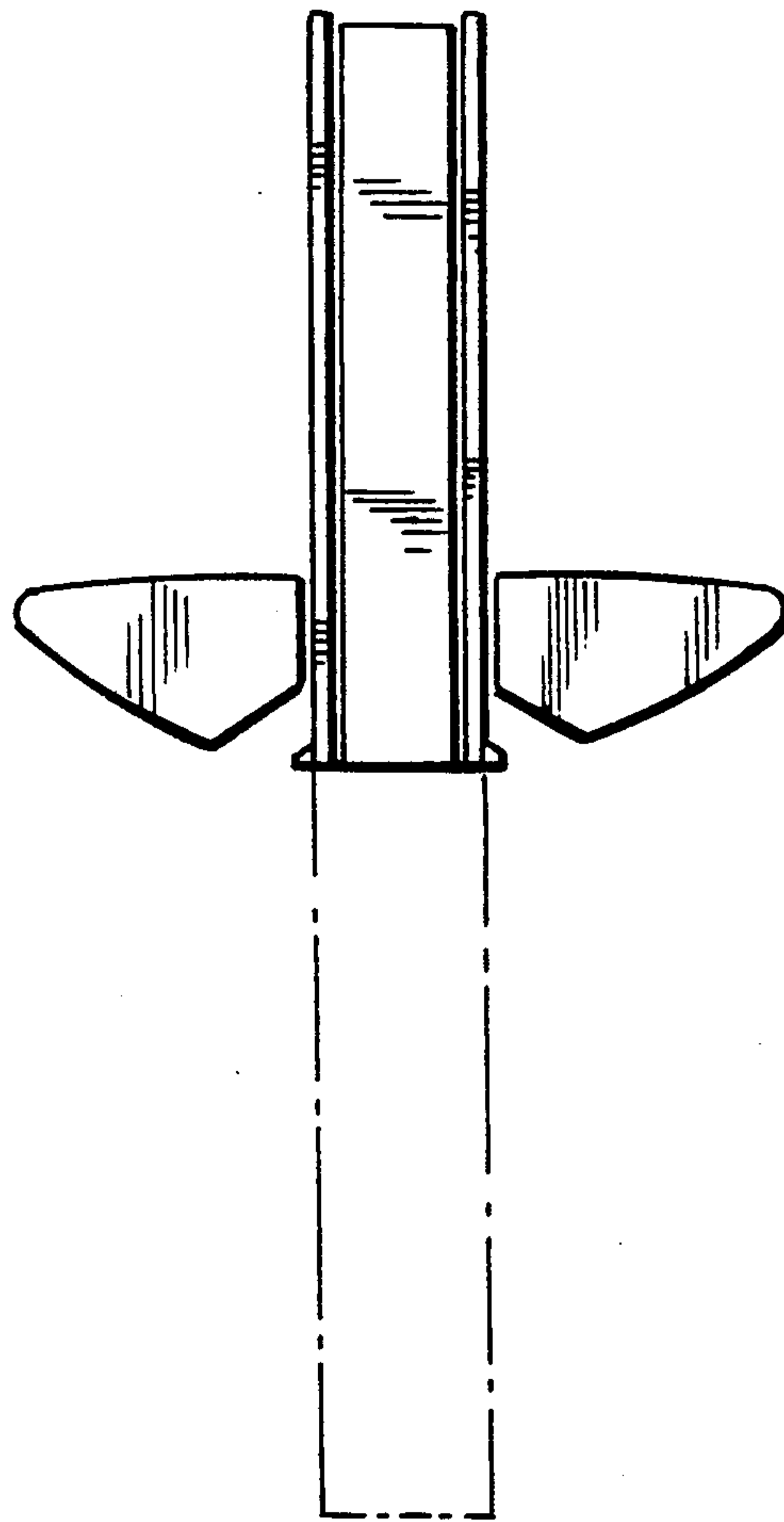


FIG.6

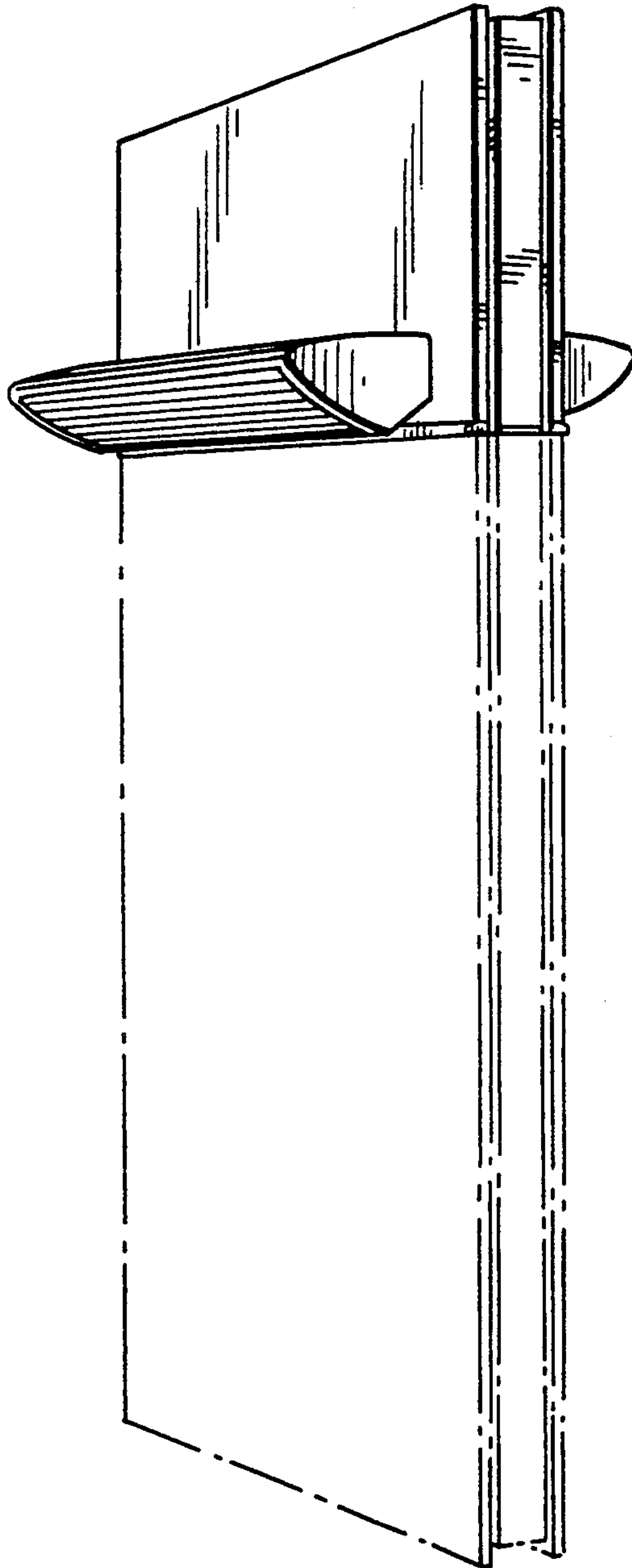


FIG. 7