

[54] NOZZLE FOR COMMODOE DEODERIZER  
 [76] Inventor: Jan D. Lipps, P.O. Box 94, Stinnett, Tex. 79083  
 [\*\*] Term: 14 Years  
 [21] Appl. No.: 186,221  
 [22] Filed: Apr. 26, 1988  
 [52] U.S. Cl. .... D23/371; D23/311; D32/32  
 [58] Field of Search ..... D32/25, 31-34; 15/415 R, 415 A, 418, 419, 420, 421, 422; D23/371, 309, 368, 366, 311, 312; 4/213, 217

[56] **References Cited**  
**U.S. PATENT DOCUMENTS**

D. 184,467	2/1959	Wistrand .	
D. 239,243	3/1976	Hachtmann et al. ....	D32/32
D. 245,620	8/1977	Berry .....	D23/371
D. 257,661	12/1980	Gantz .....	D32/18
D. 259,618	6/1981	Tack .	
D. 261,473	10/1981	Hug .....	D32/18
D. 264,139	4/1982	Pearman, Jr. ....	D32/33
D. 266,962	11/1982	Hachtmann et al. ....	D32/33
D. 275,427	9/1984	Kishi .....	D32/18
D. 288,015	1/1987	Verdier .....	D32/18
1,774,156	8/1930	Root .....	4/213
1,916,006	6/1933	Leathers .	
2,846,696	8/1958	Herriott .....	4/213
3,059,244	10/1962	Jarrett .....	4/213
3,066,317	12/1962	Cawiezel .....	4/213
3,295,147	1/1967	Meyer .....	4/213
3,366,979	2/1968	Johnston .....	4/213
3,585,651	6/1971	Cox .....	4/213
3,751,755	8/1973	Smith .....	15/419
3,824,637	7/1974	Hunnicut, Jr. ....	4/213
3,849,808	11/1974	Olson .....	4/213
3,869,737	3/1975	Stevenson .....	4/213
3,887,948	6/1975	Stamper .....	4/213
3,900,908	8/1975	Stump .....	4/213
3,902,203	9/1975	Poister .....	4/213
3,913,150	10/1975	Poister .....	4/213
3,916,459	11/1975	Ivancevic .....	4/213
3,927,429	12/1975	Pearson .....	4/213
3,938,201	2/1976	McGrew .....	4/213
3,939,506	2/1976	Pearson .....	4/213
3,942,200	3/1976	Pearson .....	4/213
3,953,901	5/1976	Poister et al. ....	4/213

3,999,225	12/1976	Ables .....	4/213
4,007,498	2/1977	Pearson .....	4/213
4,011,608	3/1977	Pearson .....	4/213
4,011,624	3/1977	Proett .....	15/344
4,014,065	3/1977	Hudson .....	15/418
4,017,916	4/1977	Pearson .....	4/213
4,031,574	6/1977	Werner .....	4/213
4,044,408	8/1977	Perason .....	4/213
4,059,857	11/1977	Poister .....	4/213
4,085,470	4/1978	Roberts .....	4/213
4,094,023	6/1978	Smith .....	4/213
4,103,370	8/1978	Arnold .....	4/213
4,153,956	5/1979	Fischer, Sr. ....	4/213
4,165,544	8/1979	Barry .....	4/213
4,166,298	9/1979	Pearson .....	4/213
4,168,553	9/1979	Studer .....	4/348
4,174,545	11/1979	Smith, Jr. ....	4/217
4,175,293	11/1979	Stephens .....	4/209
4,209,875	7/1980	Pugh .....	15/344
4,222,129	9/1980	Baker .....	4/213
4,232,406	11/1980	Beeghly et al. ....	4/213
4,251,888	2/1981	Turner .....	4/213
4,301,555	11/1981	Poister .....	4/217
4,317,242	3/1982	Stamper .....	4/213
4,318,192	3/1982	Williams .....	4/213
4,380,845	4/1983	Miller .....	15/344
4,472,841	9/1984	Faulkner .....	4/213
4,493,117	1/1985	Sguazzin .....	4/213

**FOREIGN PATENT DOCUMENTS**

009923	4/1980	European Pat. Off. ....	4/213
--------	--------	-------------------------	-------

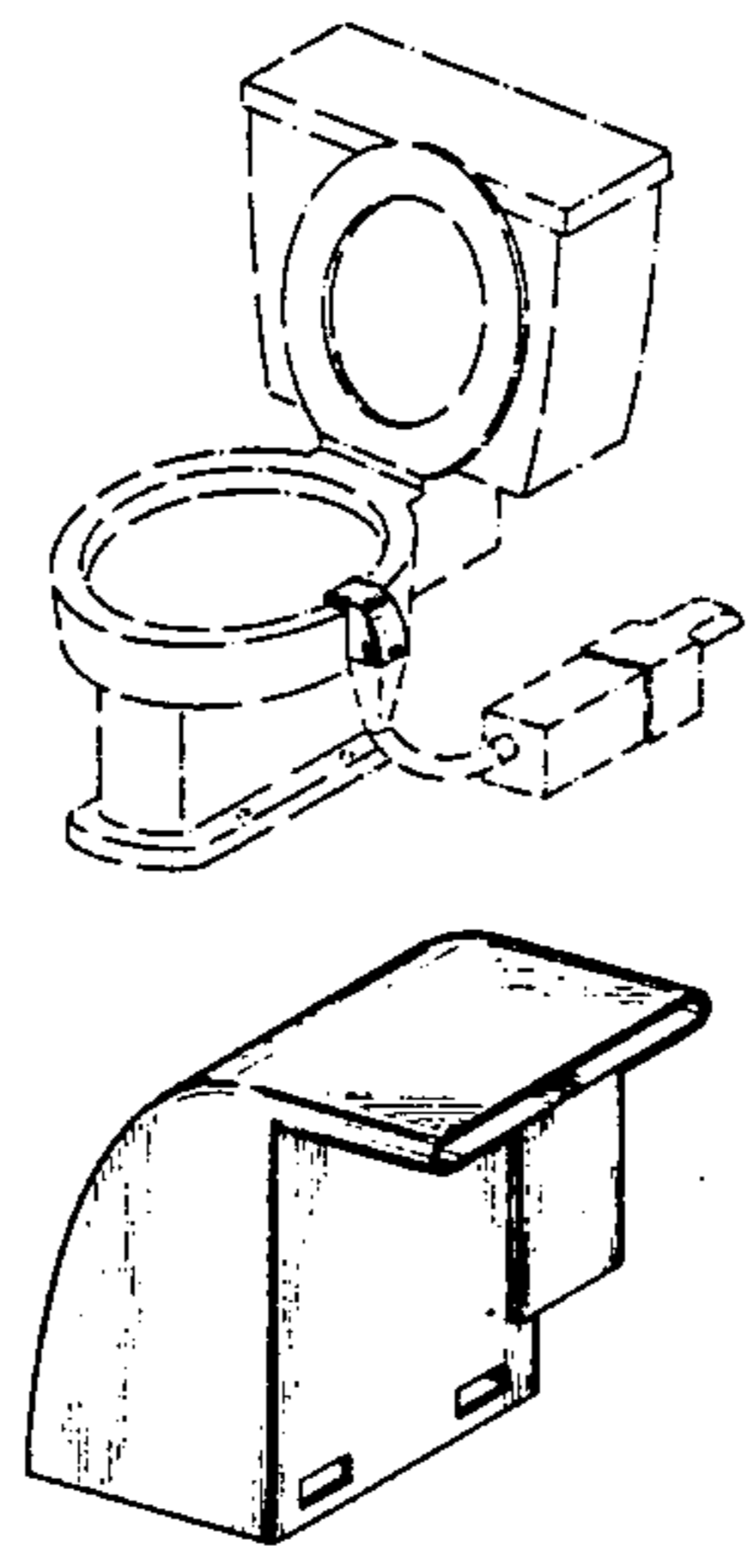
*Primary Examiner*—A. Hugo Word  
*Assistant Examiner*—Doris V. Coley  
*Attorney, Agent, or Firm*—Vaden, Eickenroht, Thompson & Boulware

[57] **CLAIM**

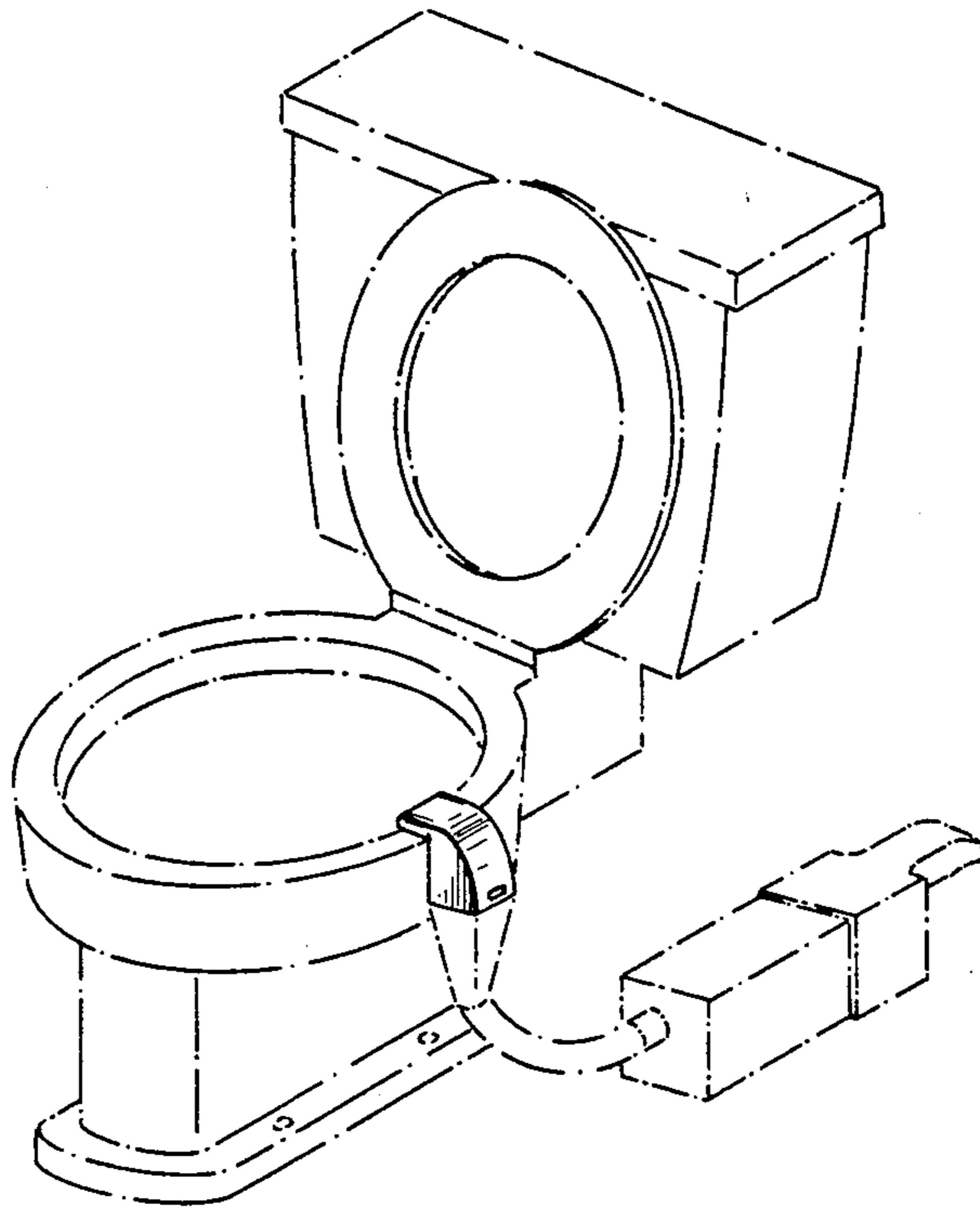
The ornamental design for a nozzle for commode deoderizer, as shown and described.

**DESCRIPTION**

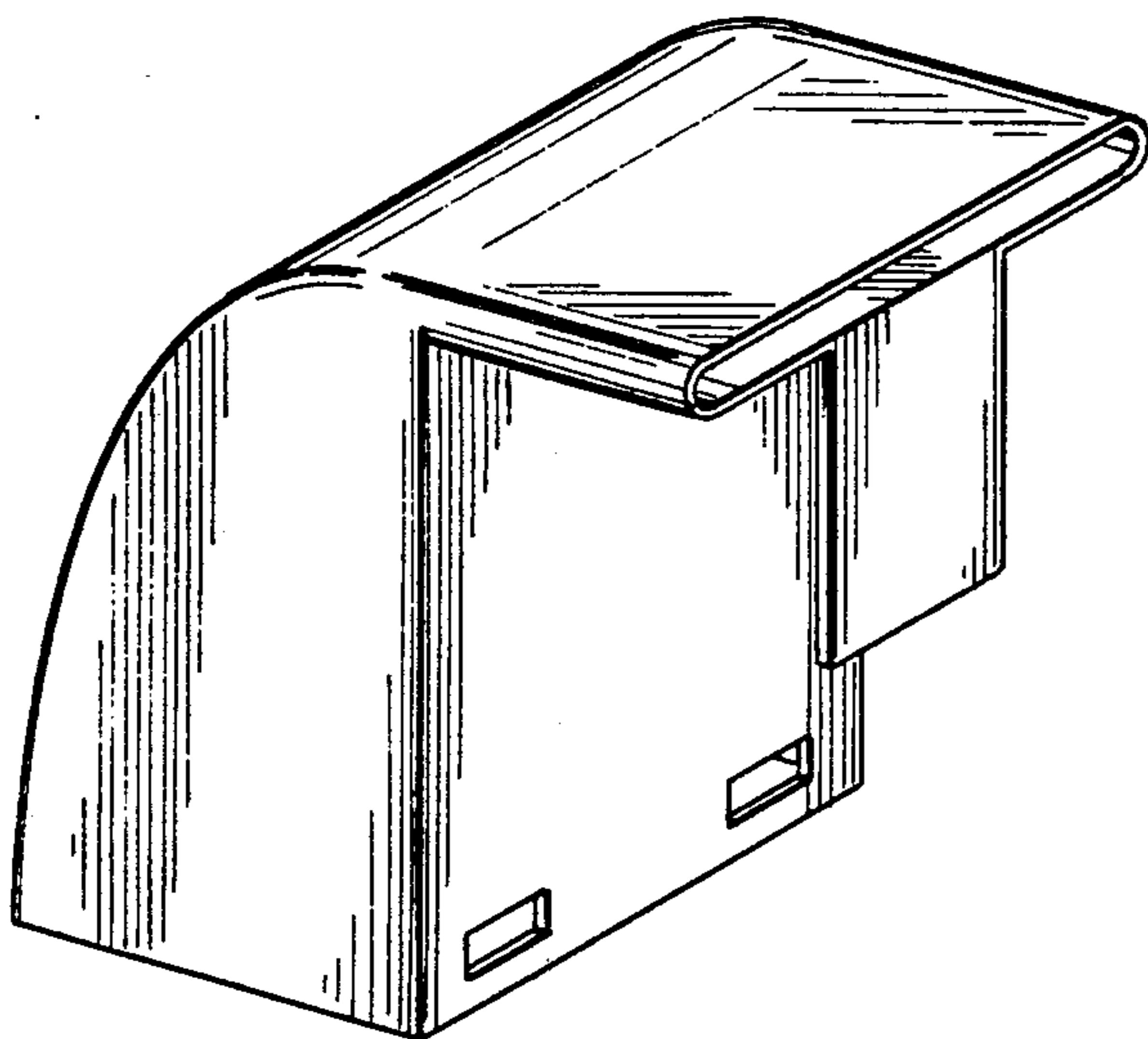
FIG. 1 is a perspective view of a nozzle for commode deoderizer, showing my new design;  
 FIG. 2 is a front side perspective view thereof;  
 FIG. 3 is a front elevational view thereof;  
 FIG. 4 is a side elevational view thereof;  
 FIG. 5 is a rear elevational view thereof;  
 FIG. 6 is a top plan view thereof; and  
 FIG. 7 is a bottom plan view thereof.



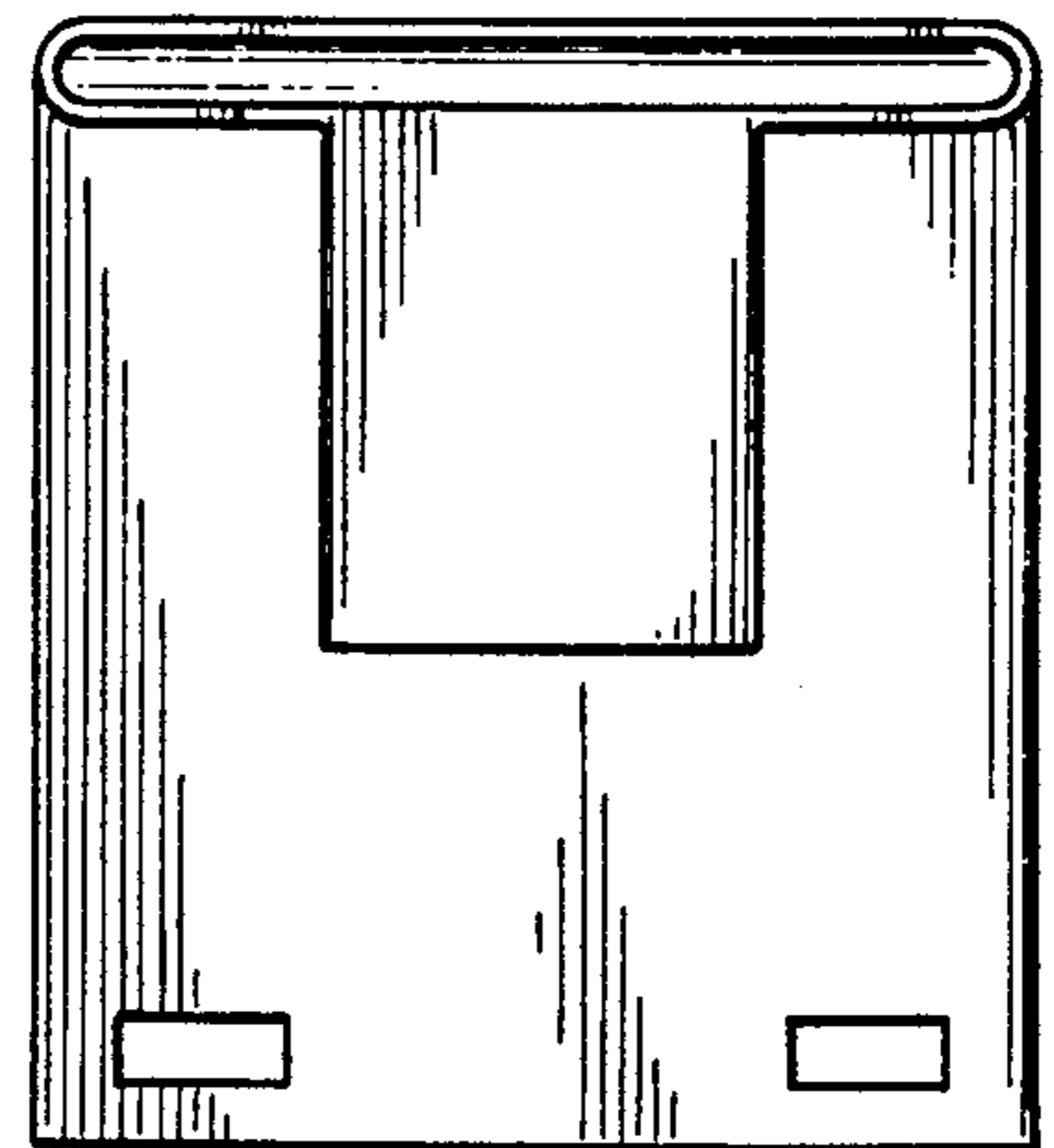
*FIG. 1*



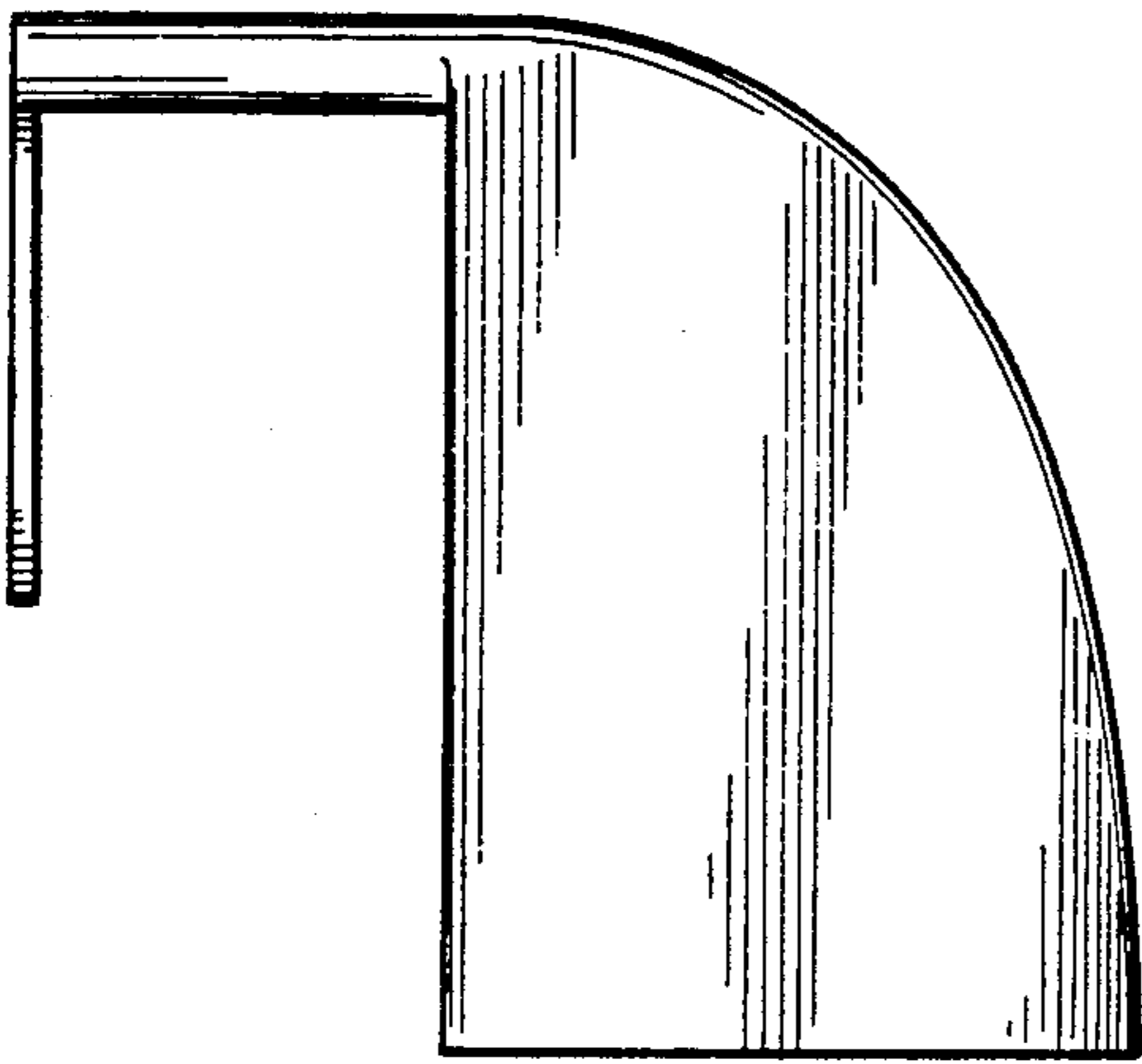
*FIG. 2*



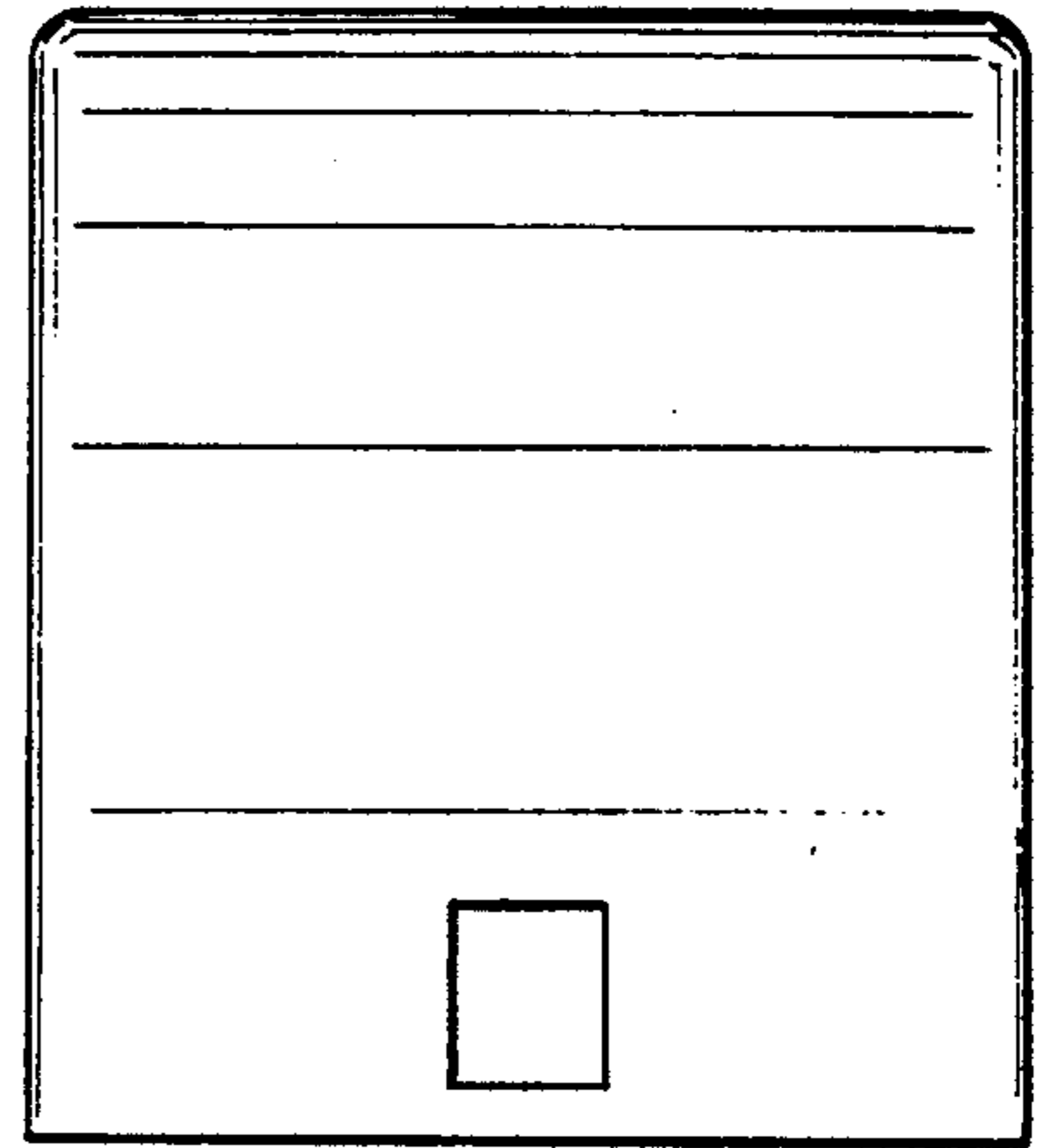
*FIG. 3*



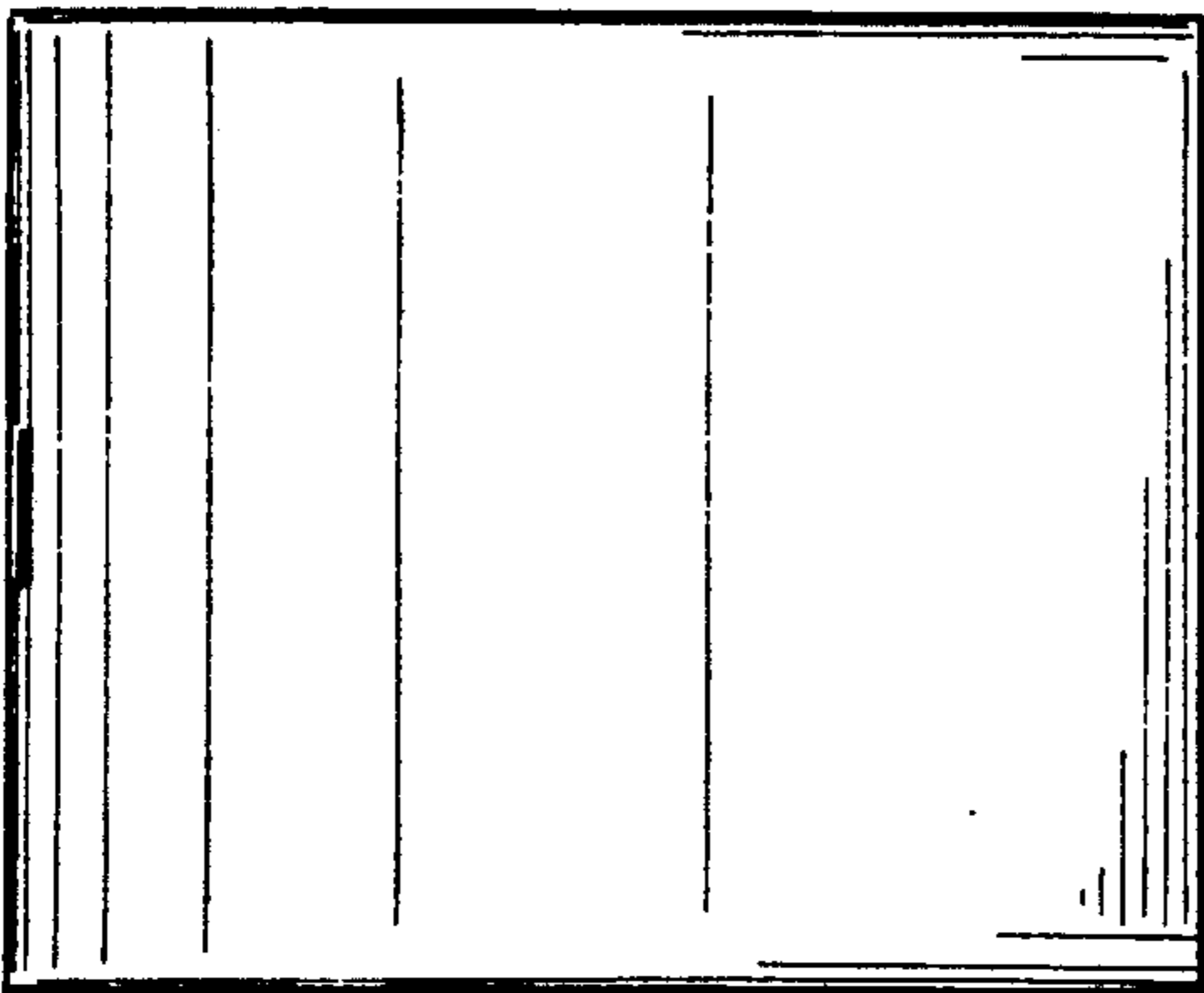
*FIG. 4*



*FIG. 5*



*FIG. 6*



*FIG. 7*

