

[54] AIR PURIFICATION UNIT

[56] References Cited

U.S. PATENT DOCUMENTS

[75] Inventors: Rickey S. Lutterbach; Jeffrey A. Granacki, both of Michigan City, Ind.

4,604,111 8/1986 Natale 55/467

Primary Examiner—James M. Gandy
Assistant Examiner—Lisa Lichtenstein
Attorney, Agent, or Firm—Wood, Phillips, Mason,
Recktenwald & VanSanten

[73] Assignee: Control Resource Systems, Inc., Michigan City, Ind.

[57] CLAIM

The ornamental design for an air purification unit, as shown and described.

[**] Term: 14 Years

DESCRIPTION

[21] Appl. No.: 310,712

FIG. 1 is a front perspective view of an air purification unit showing our new design;

FIG. 2 is a front elevation view thereof;

FIG. 3 is a rear elevation view thereof;

FIG. 4 is a top plan view thereof;

FIG. 5 is a bottom plan view thereof; and

FIG. 6 is a right side elevation view thereof, the left side being a mirror image of that shown.

[22] Filed: Feb. 15, 1989

[52] U.S. Cl. D23/364

[58] Field of Search D23/364, 365, 355;
55/467, 473; 422/120

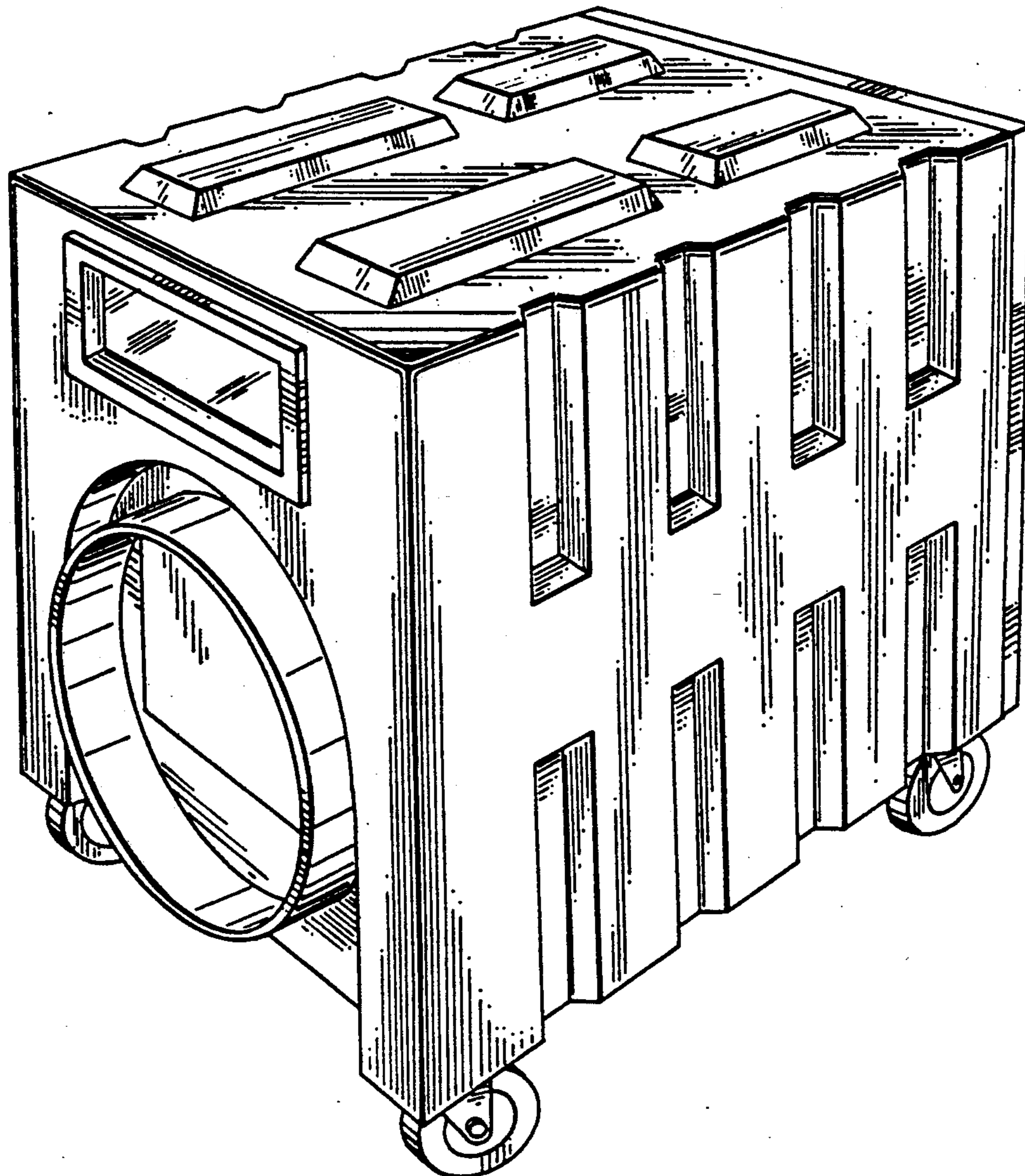


FIG. 1

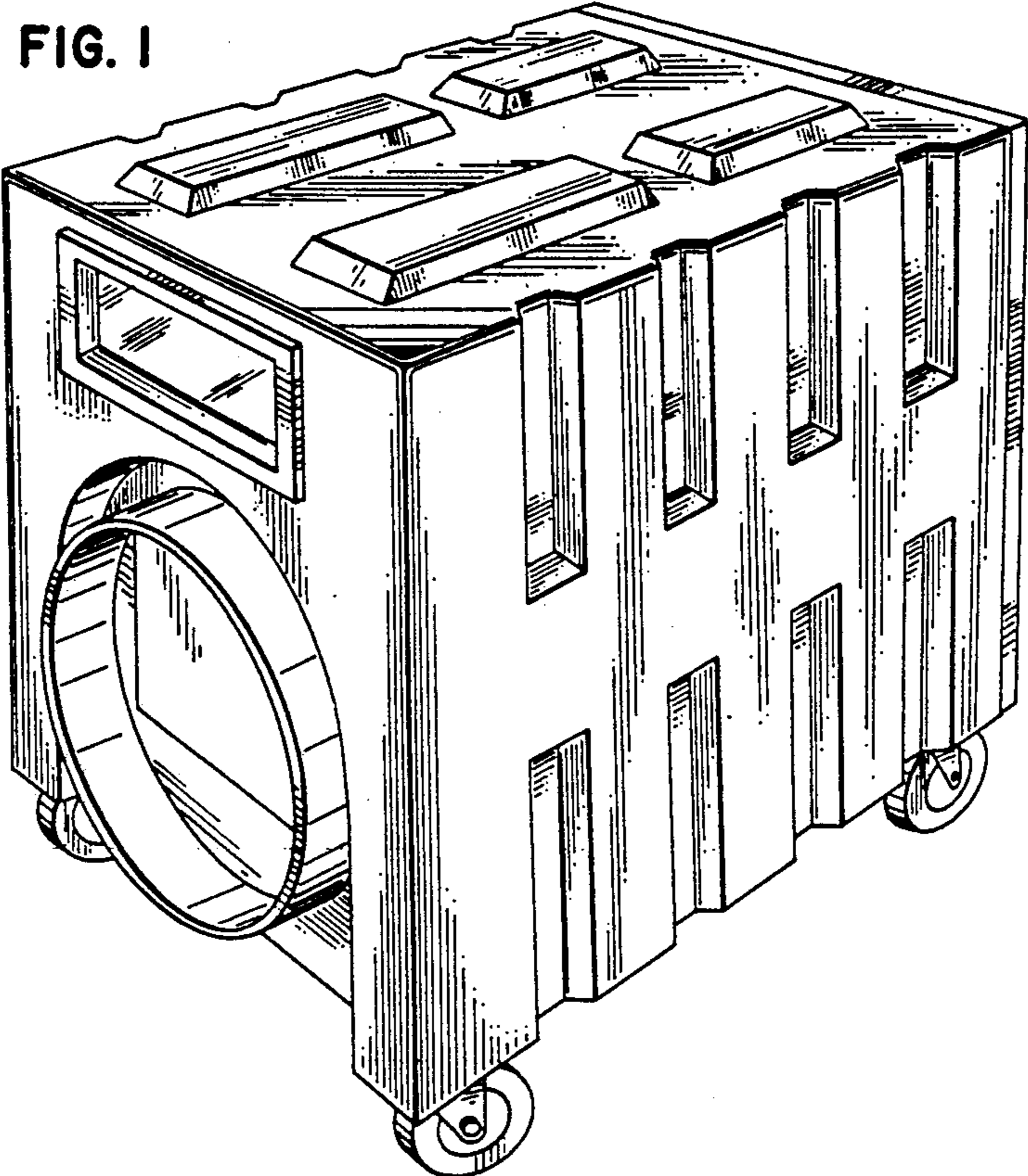


FIG. 2

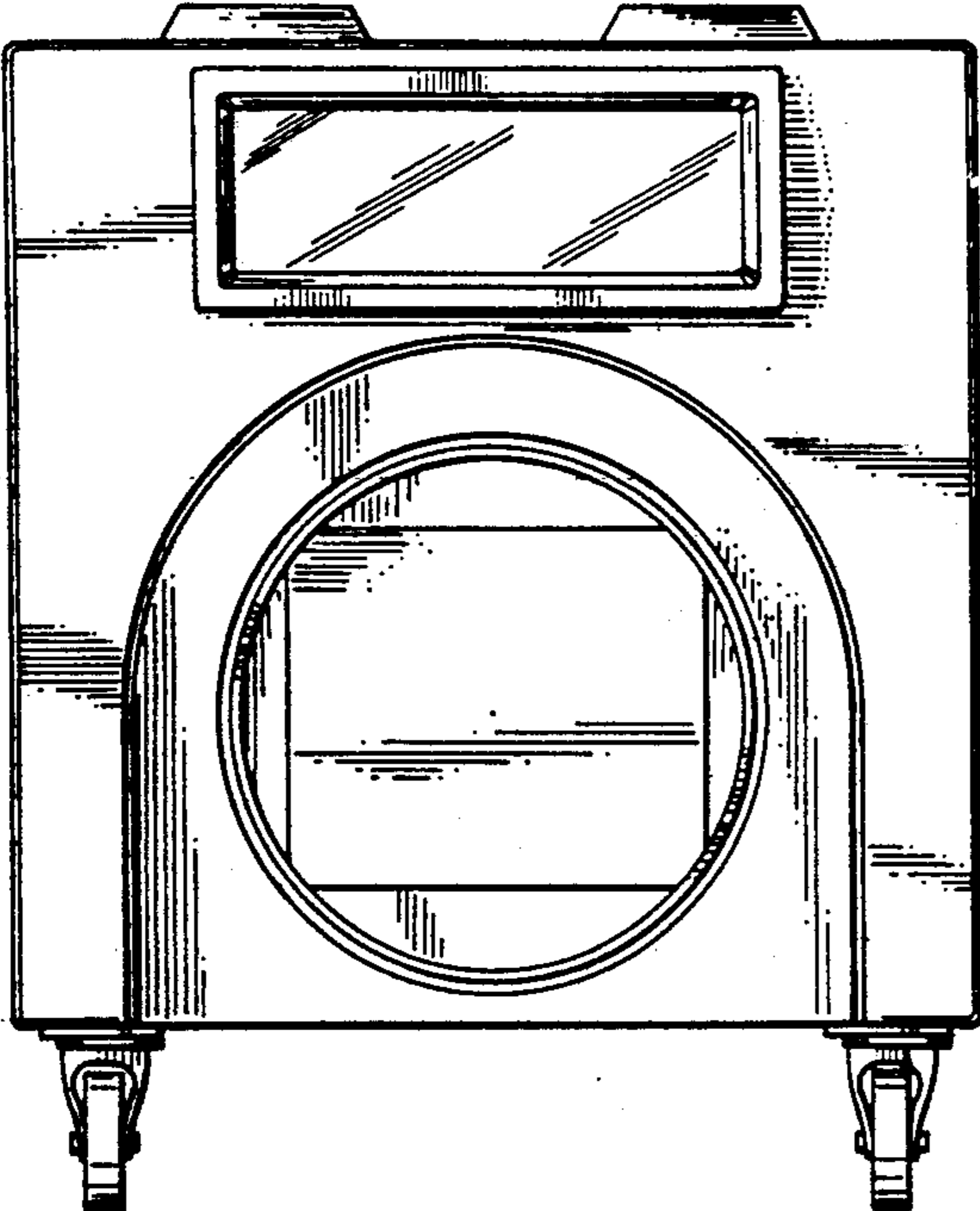


FIG. 3

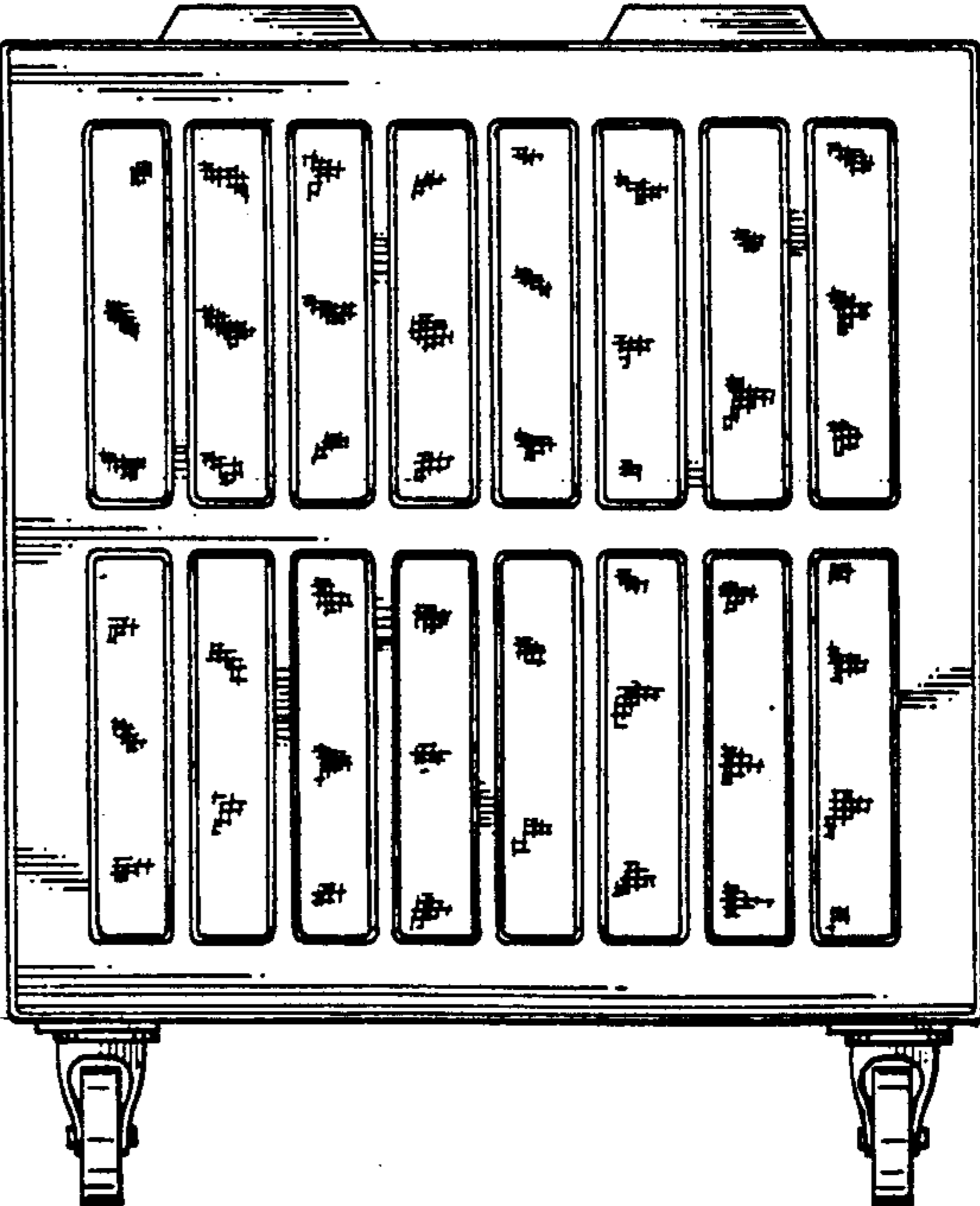


FIG. 4

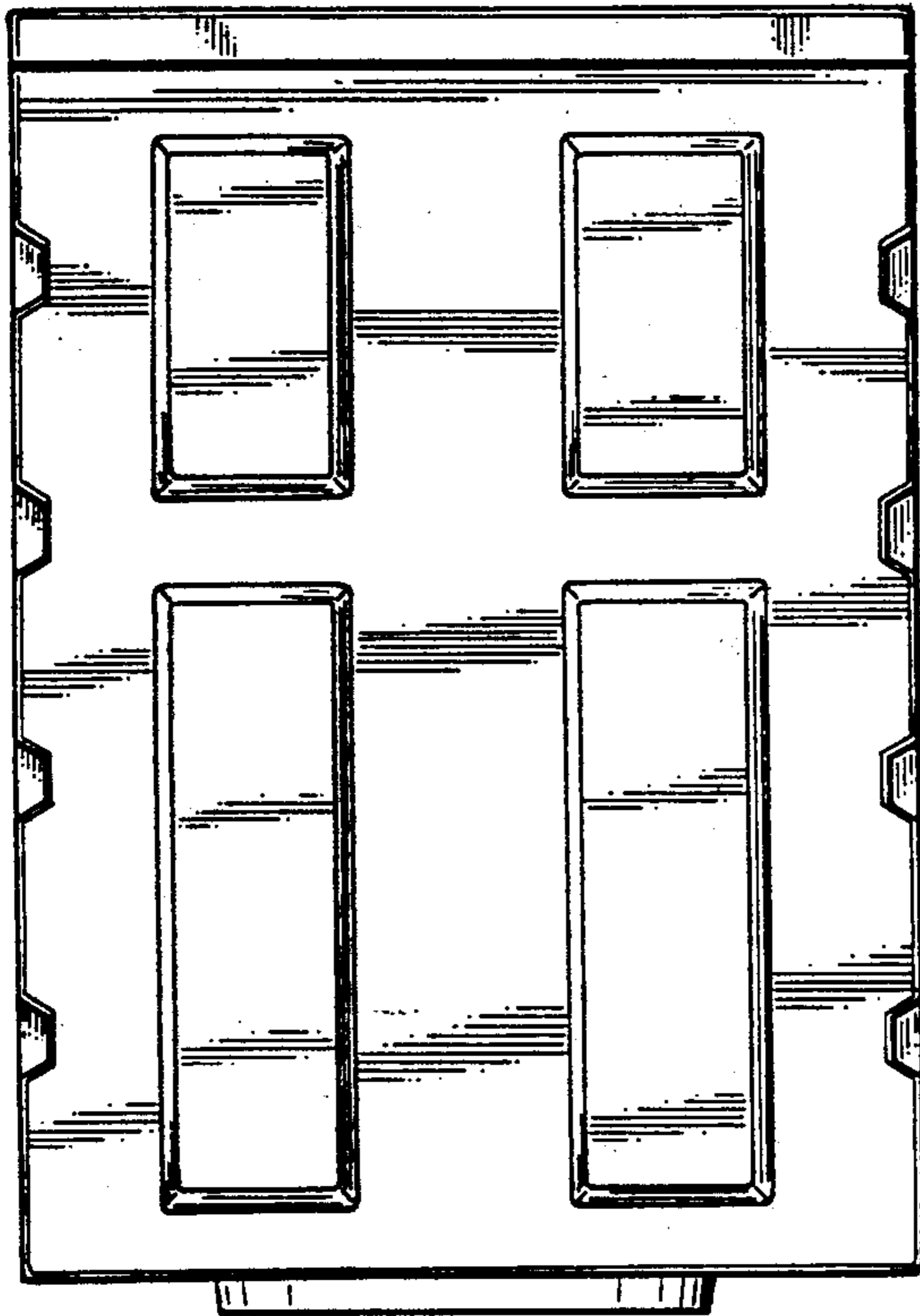


FIG. 5

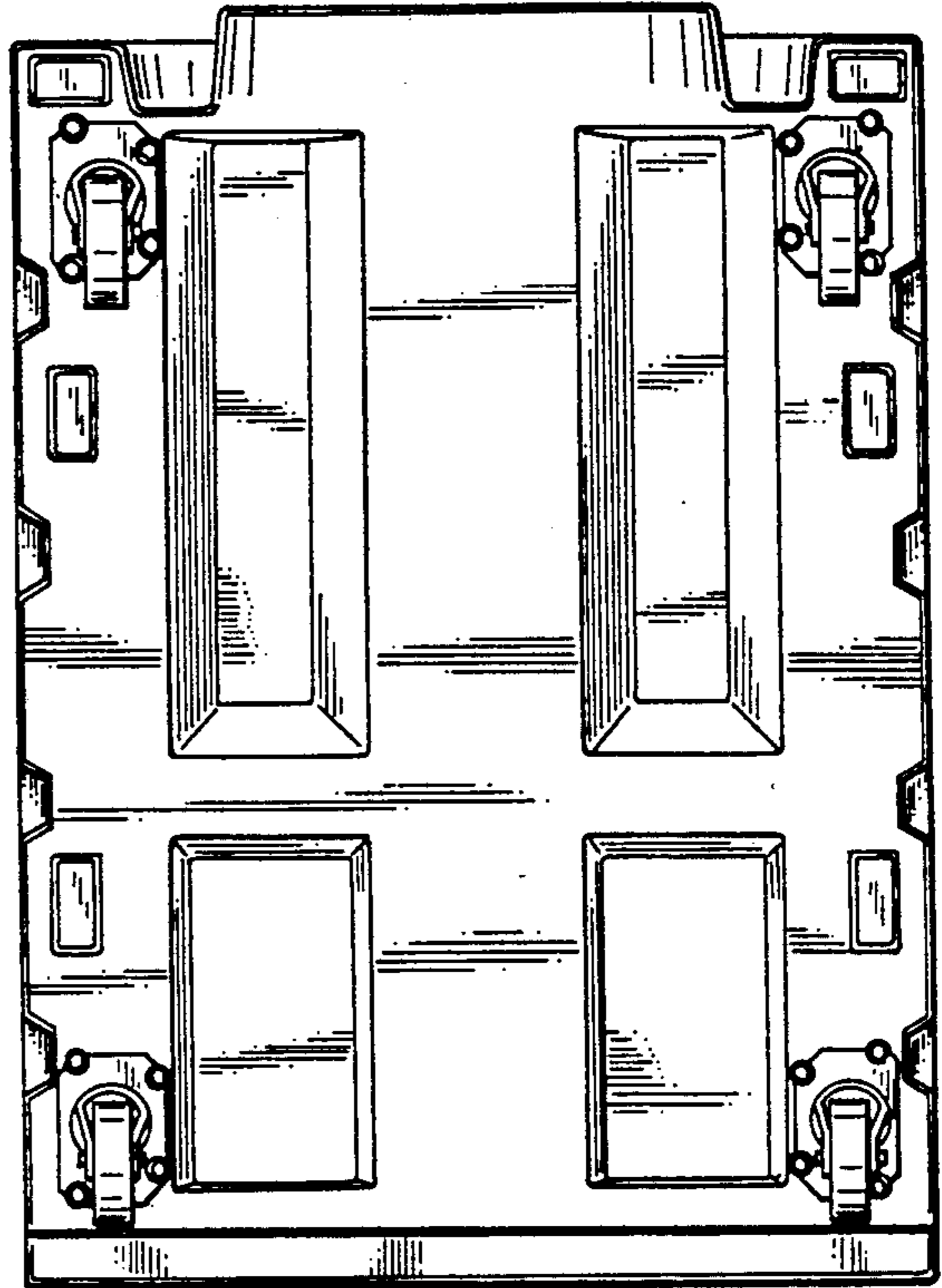


FIG. 6

