

# United States Patent [19]

Paul

[11] Patent Number: **Des. 316,138**

[45] Date of Patent: **\*\* Apr. 9, 1991**

[54] **LAVATORY SPOUT**

[75] Inventor: **Stanley M. Paul, Rye, N.Y.**

[73] Assignee: **Paul Associates, Inc., Long Island City, N.Y.**

[\*\*] Term: **14 Years**

[21] Appl. No.: **190,937**

[22] Filed: **May 6, 1988**

[52] U.S. Cl. .... **D23/257**

[58] Field of Search ..... **D23/238-243, D23/8, 255-257; 4/191, 192; 137/801**

[56] **References Cited**

**U.S. PATENT DOCUMENTS**

D. 278,458	4/1985	Paul	.....	D23/242
D. 280,232	8/1985	Paul	.....	D23/242
D. 290,869	7/1987	Paul	.....	D23/242
D. 290,871	7/1987	Paul	.....	D23/242
D. 301,055	5/1989	Paul	.....	D23/242

D. 301,275	5/1989	Paul	.....	D23/242
D. 301,920	6/1989	Paul	.....	D23/255
D. 301,921	6/1989	Paul	.....	D23/257
D. 310,258	8/1990	Strignano	.....	D23/242
D. 310,864	9/1990	Strignano	.....	D23/241
D. 310,867	9/1990	Strignano	.....	D23/242

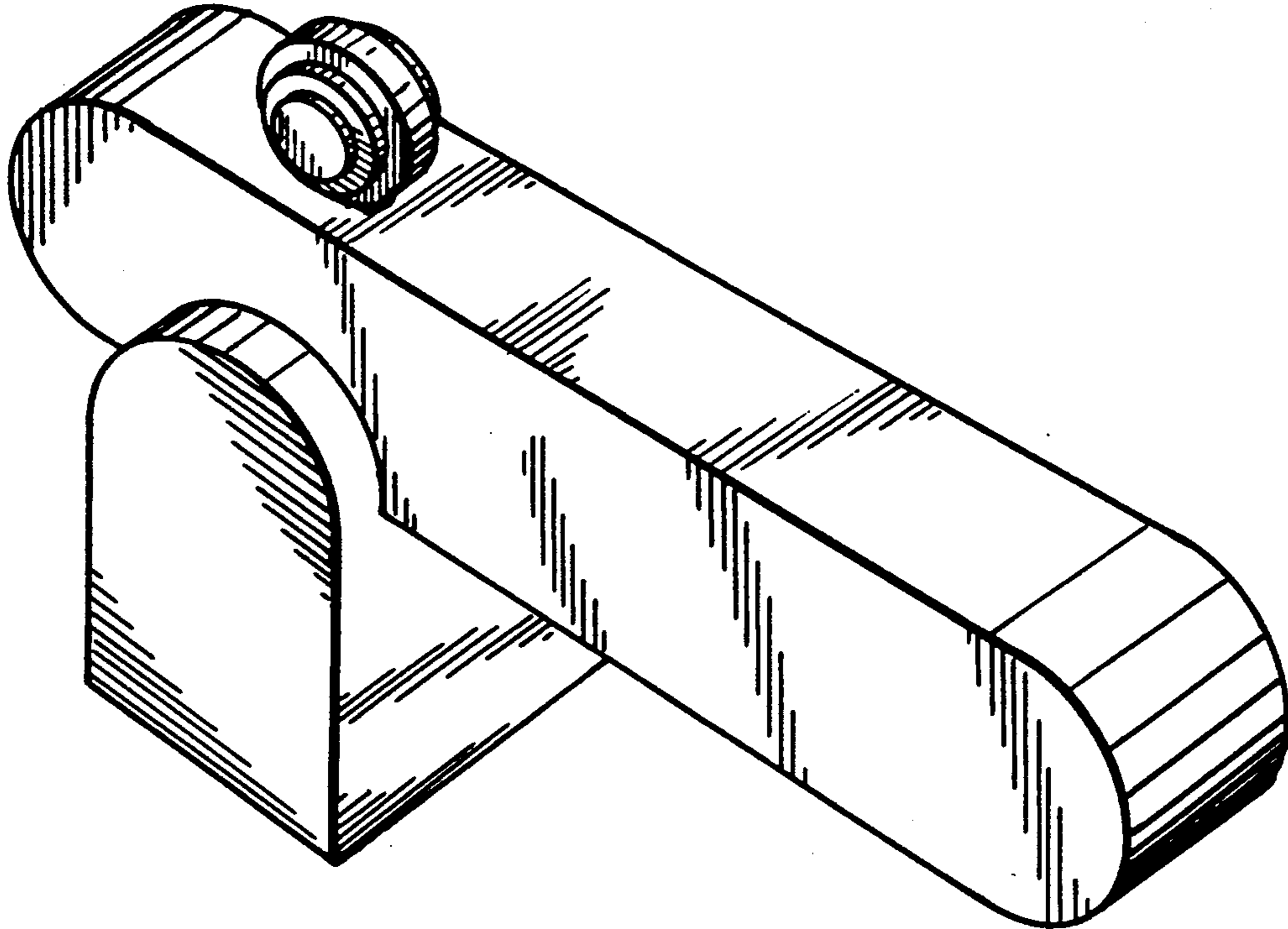
*Primary Examiner*—James R. Largen  
*Attorney, Agent, or Firm*—Darby & Darby

[57] **CLAIM**

The ornamental design for a lavatory spout, as shown and described.

**DESCRIPTION**

FIG. 1 is a top perspective view of a lavatory spout showing my new design;  
FIG. 2 is a front elevational view thereof;  
FIG. 3 is a rear elevational view thereof;  
FIG. 4 is a left side elevational view thereof, the right side being a mirror image of the left side shown;  
FIG. 5 is a top plan view thereof; and  
FIG. 6 is a bottom plan view thereof.



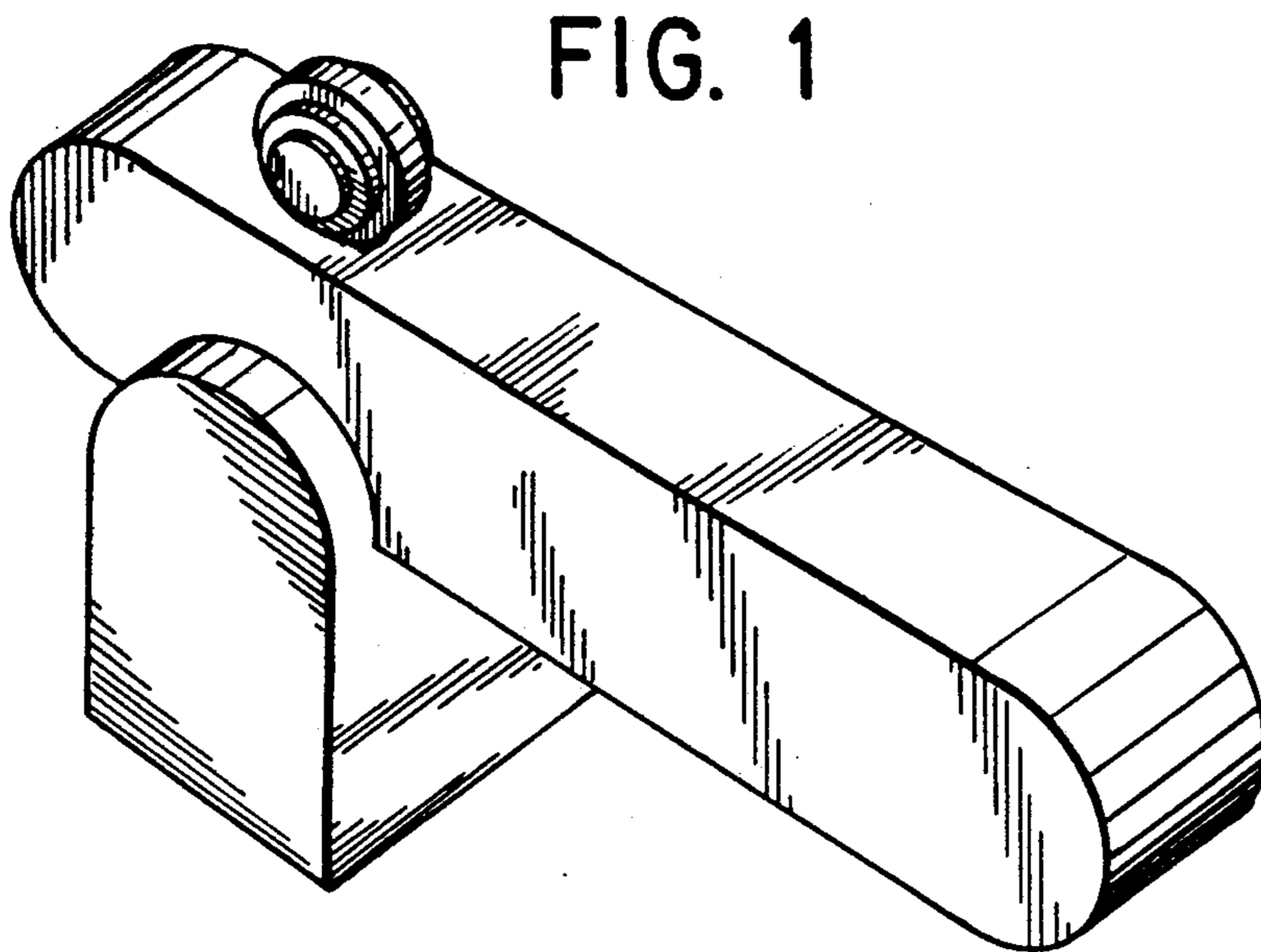


FIG. 1

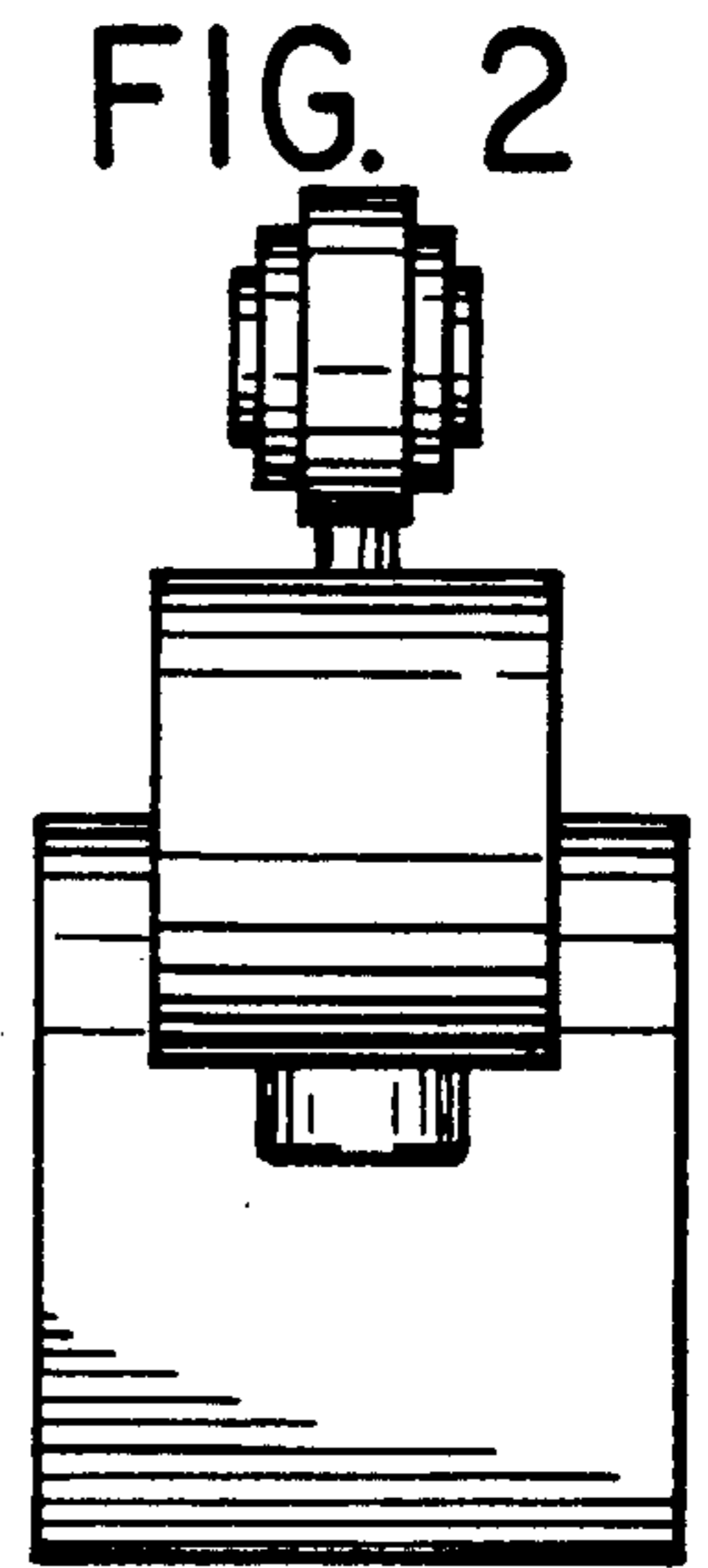


FIG. 2

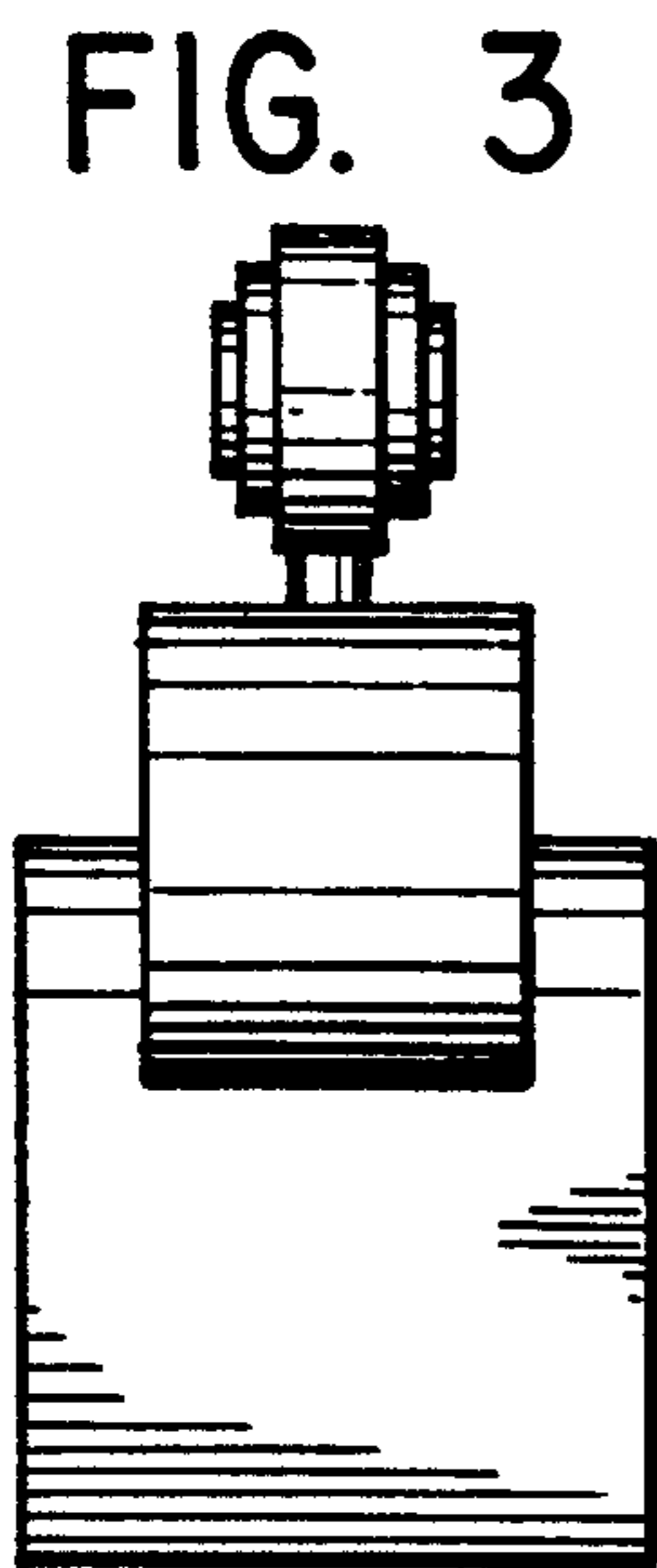


FIG. 3

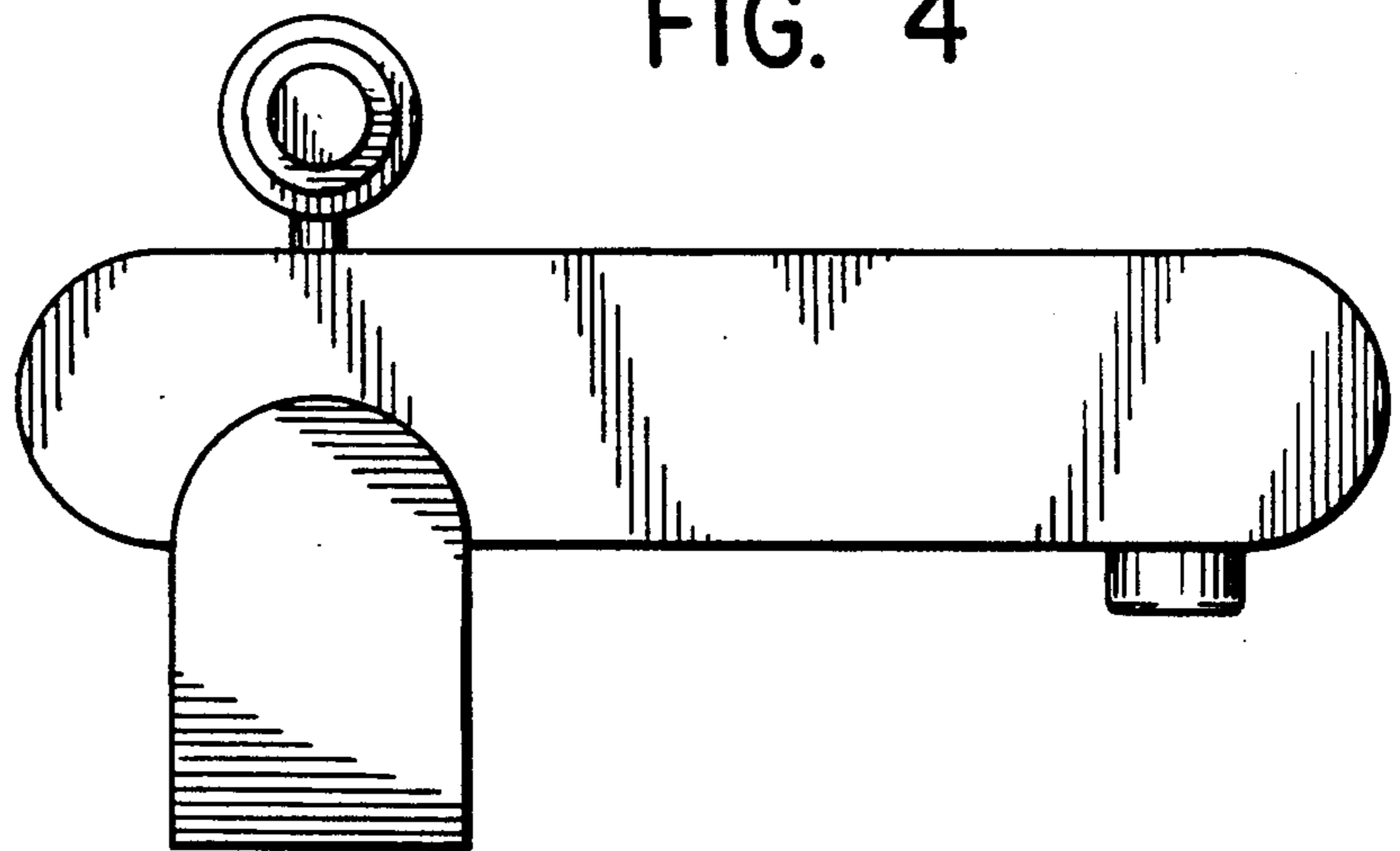


FIG. 4

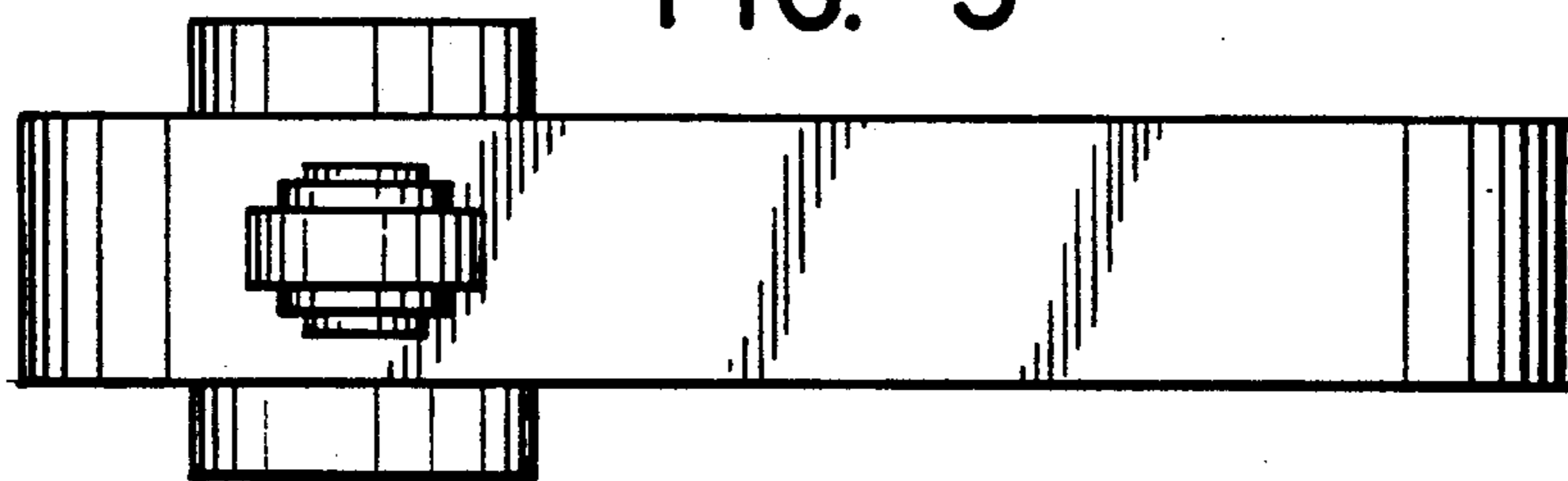


FIG. 5

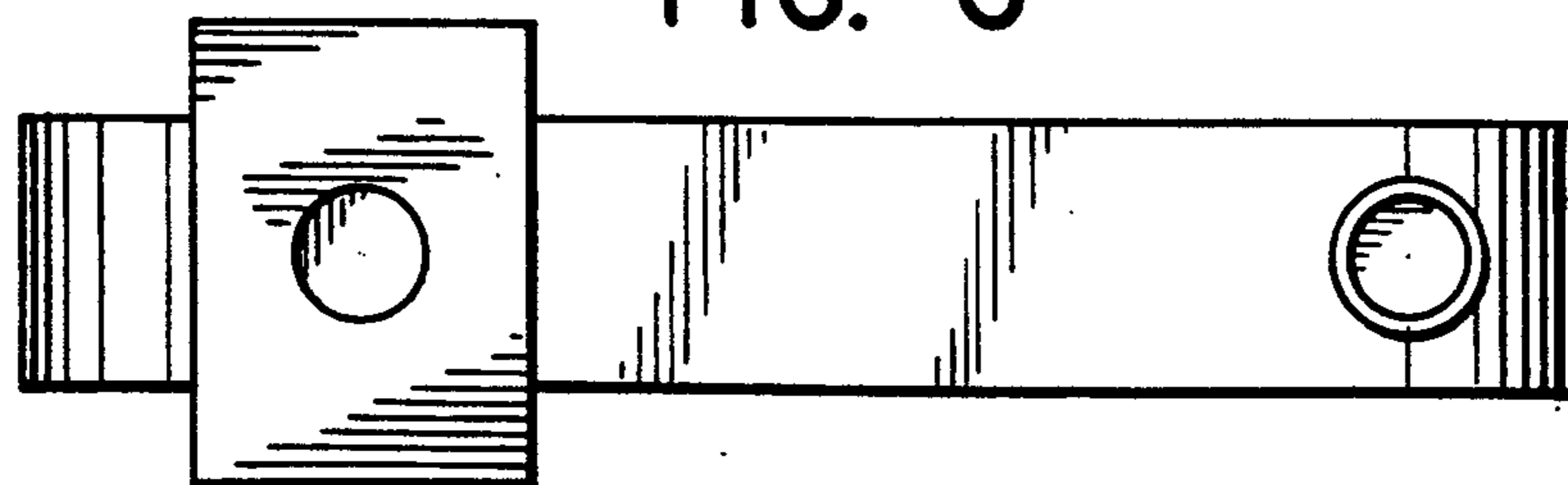


FIG. 6