

United States Patent [19]

Underwood

[11] Patent Number: Des. 316,136

[45] Date of Patent: ** Apr. 9, 1991

[54] COMBINED SHOWER HEAD AND FILTER

[76] Inventor: David Underwood, 7713 Sagebrush Ct. South, N. Richland Hills, Tex. 76180

[**] Term: 14 Years

[21] Appl. No.: 402,247

[22] Filed: Sep. 5, 1989

[52] U.S. Cl. D23/228; D23/209

[58] Field of Search D23/213, 223-229, D23/200, 207-210; 4/191-192, 567-570, 599-603, 596, 615; 239/276, 280, 281, 282-283, 288.5, 310, 443-449, 456-460, 550-552, 556-559, 562-565, 567, 581-583, 586-588; 210/136, 198.1, 205-206, 231, 241, 244-245

[56] References Cited

U.S. PATENT DOCUMENTS

D. 263,867	4/1982	Thompson	D23/213
D. 274,168	6/1984	Whedon et al.	D23/213
3,370,711	2/1968	Hetzlberger et al.	210/448
3,760,951	9/1973	Mansfield	210/449
3,998,390	12/1976	Peterson et al.	239/443 X

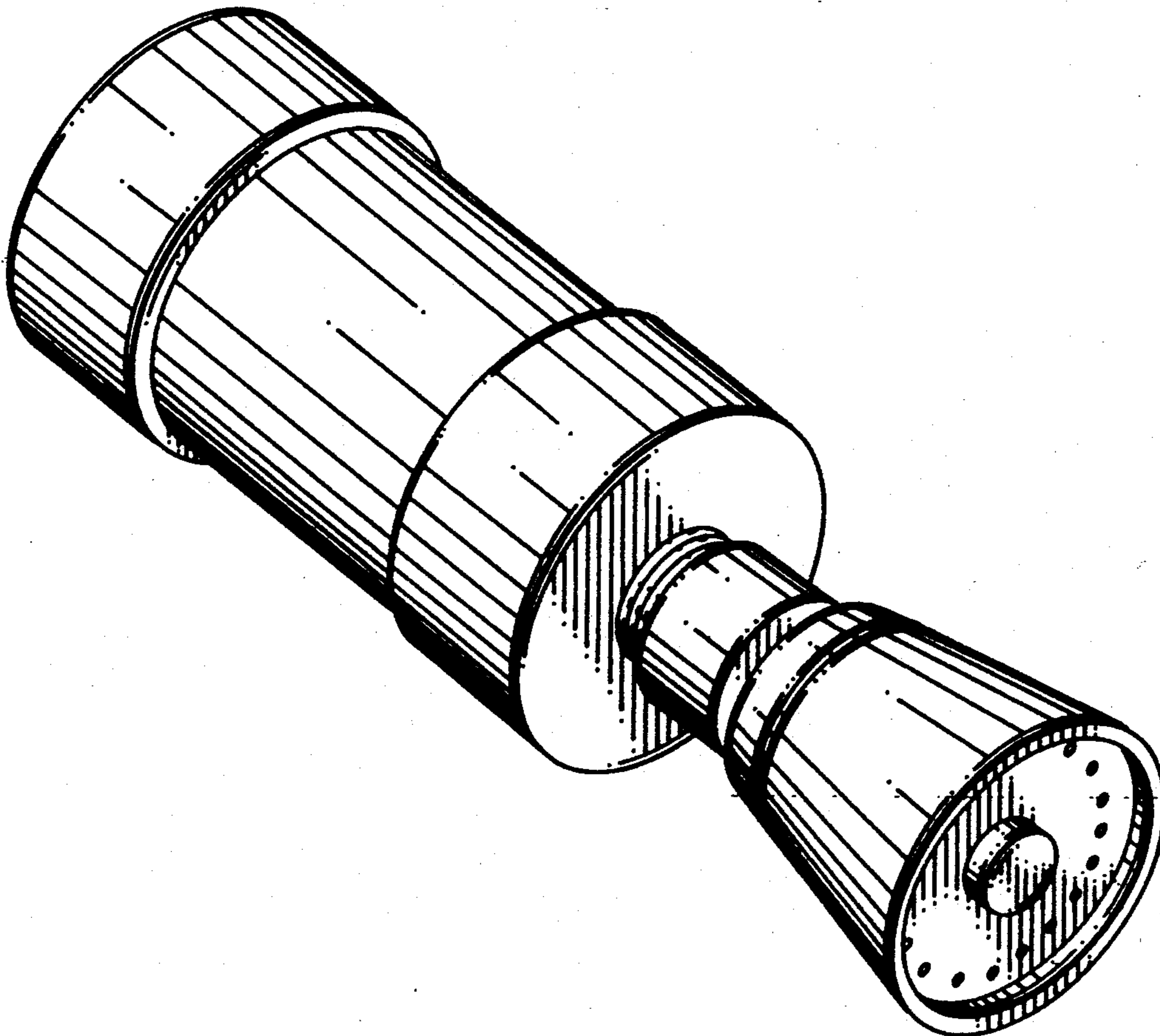
Primary Examiner—Susan J. Lucas
Assistant Examiner—M. H. Tung
Attorney, Agent, or Firm—LaValle D. Ptak

[57] CLAIM

The ornamental design for a combined shower head and filter, as shown and described.

DESCRIPTION

FIG. 1 is a front perspective view of a combined shower head and filter showing my new design;
FIG. 2 is a front elevational view thereof;
FIG. 3 is a rear elevational view thereof;
FIG. 4 is a side elevational view thereof, all sides being identical.



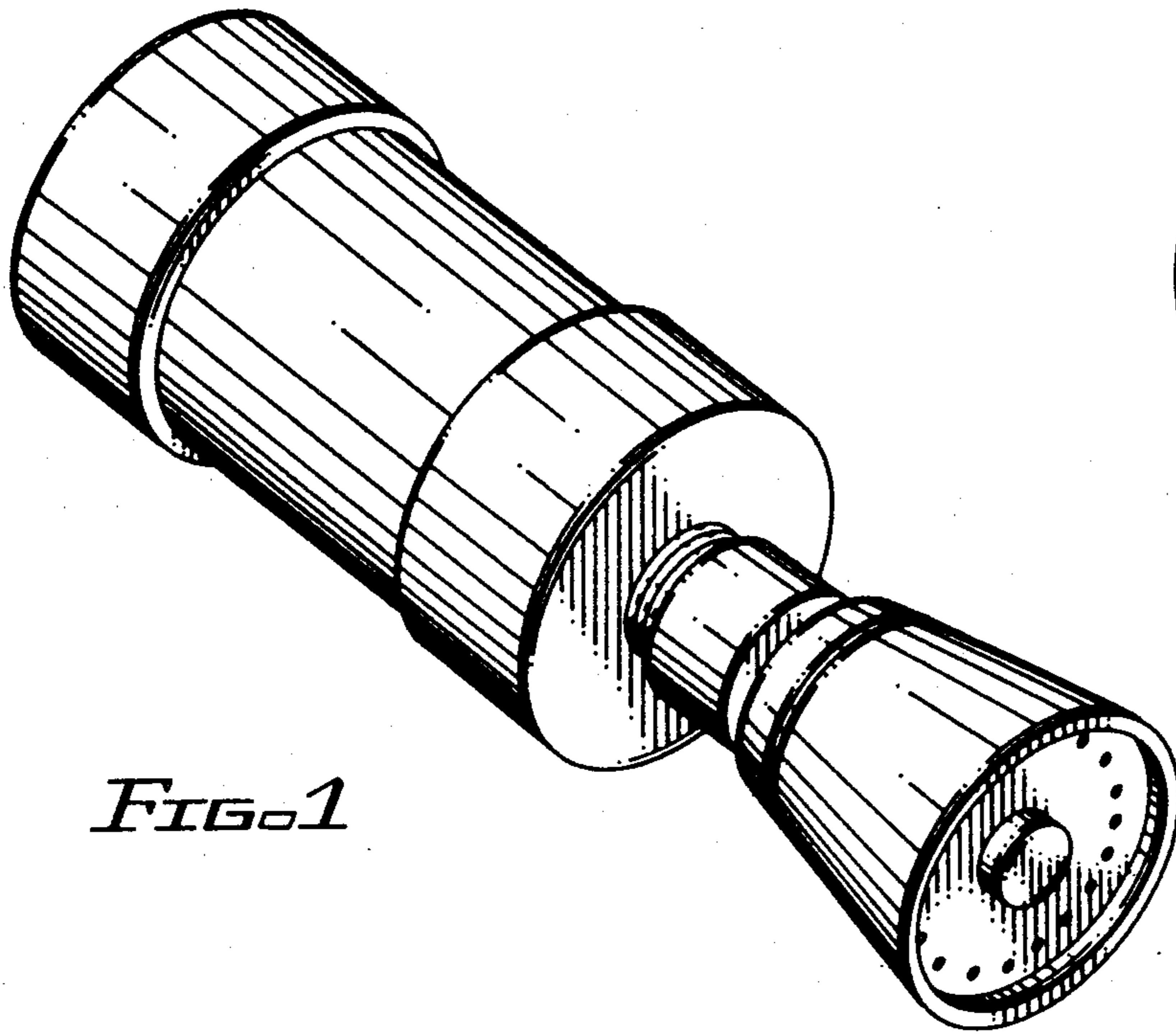


FIG. 1

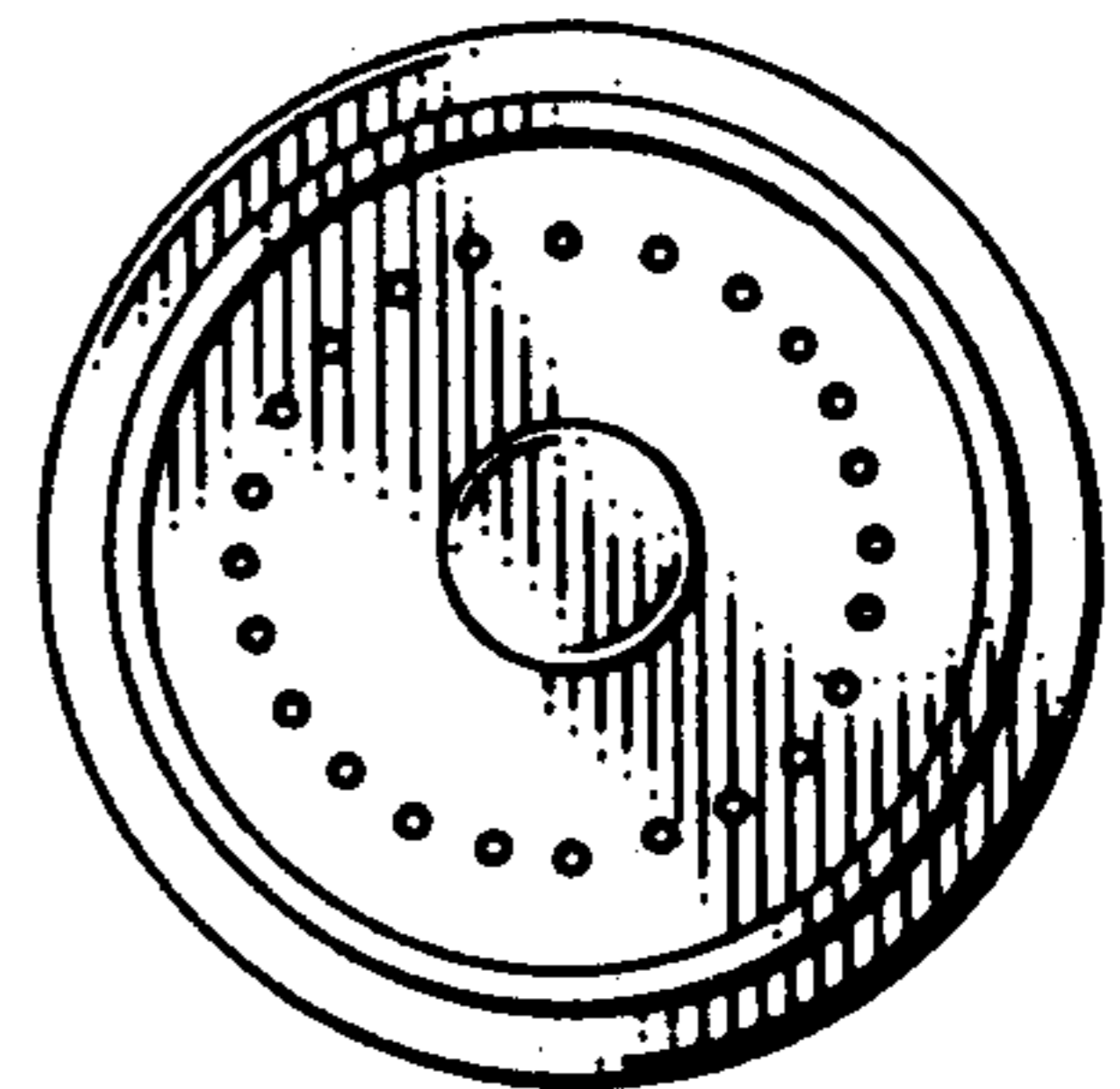


FIG. 2

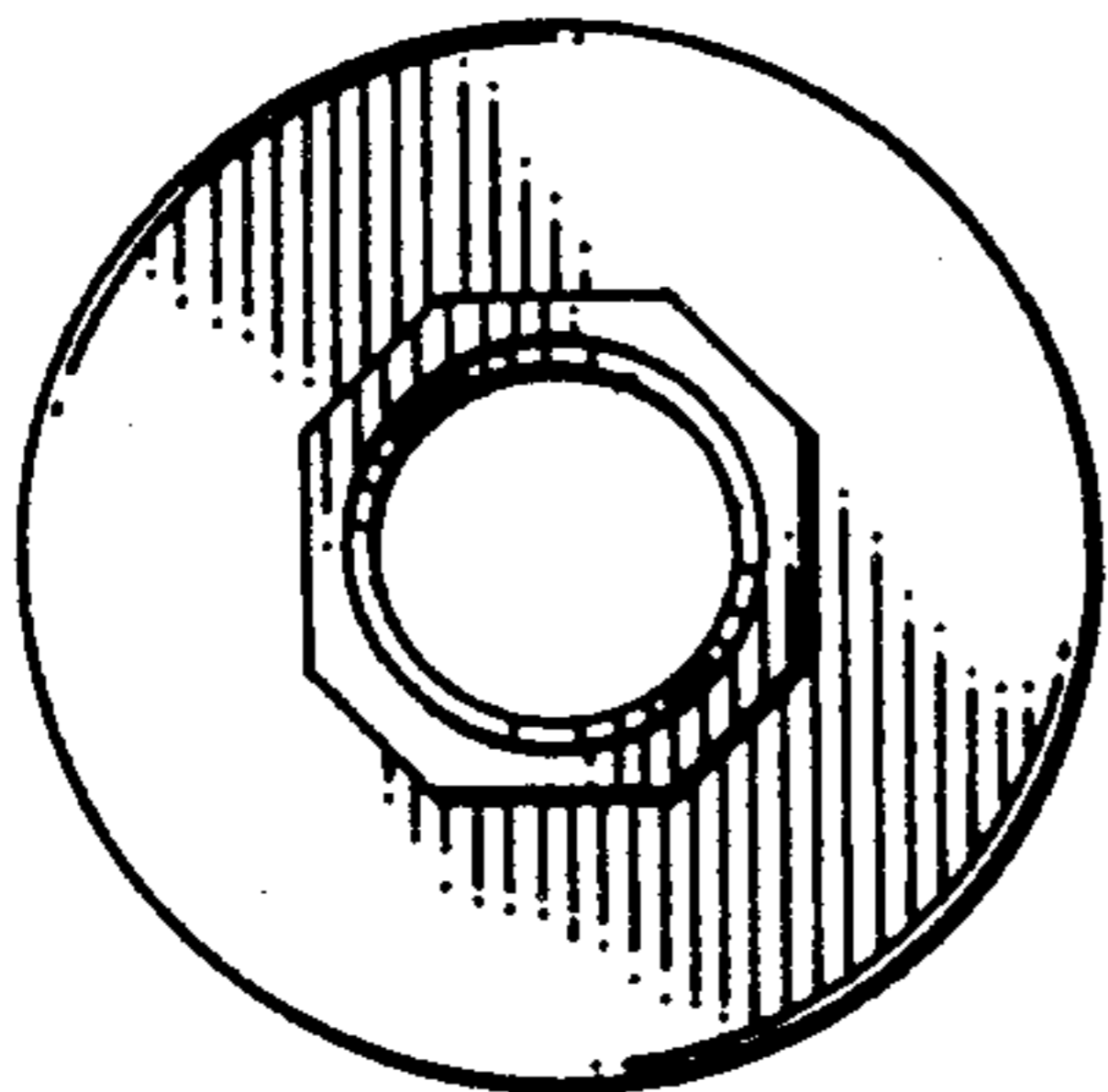


FIG. 3

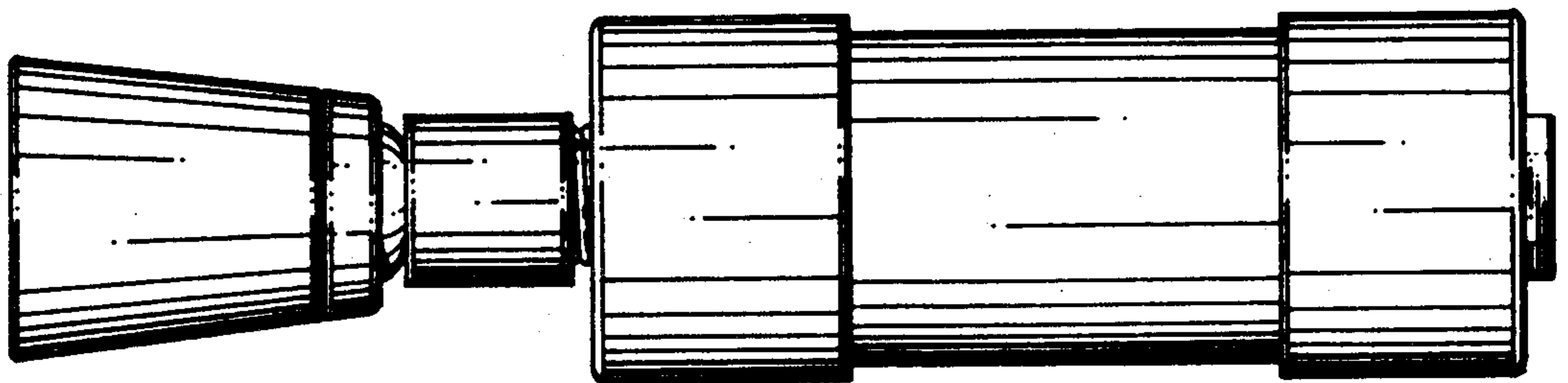


FIG. 4