

[54] **PUTTER HEAD**

[76] **Inventor: Leonard Urban, 39 Birch Dr., Swoyersville, Pa. 18704**

[**] **Term: 14 Years**

[21] **Appl. No.: 233,112**

[22] **Filed: Aug. 15, 1988**

[52] **U.S. Cl. D21/218**

[58] **Field of Search D21/214-220;
273/167-175, 163 R, 164**

[56] **References Cited**

U.S. PATENT DOCUMENTS

- D. 179,002 10/1956 Hoffmeister D21/219
- D. 246,865 1/1978 Krysakowski D21/218
- D. 255,477 6/1980 Gida D21/218

D. 264,367 5/1982 Gida D21/218

Primary Examiner—Melvin B. Feifer
Attorney, Agent, or Firm—Cushman, Darby & Cushman

[57] **CLAIM**

The ornamental design for a putter head, as shown and described.

DESCRIPTION

FIG. 1 is a side view in elevation, the opposite side being identical of a putter head showing my new design; FIG. 2 is a top plan view; FIG. 3 is a bottom plan view; FIG. 4 is an end view in elevation; and FIG. 5 is an end view in elevation of the end opposite that of FIG. 4. The broken line showing of a shaft portion in FIG. 1 is for illustrative purposes only.

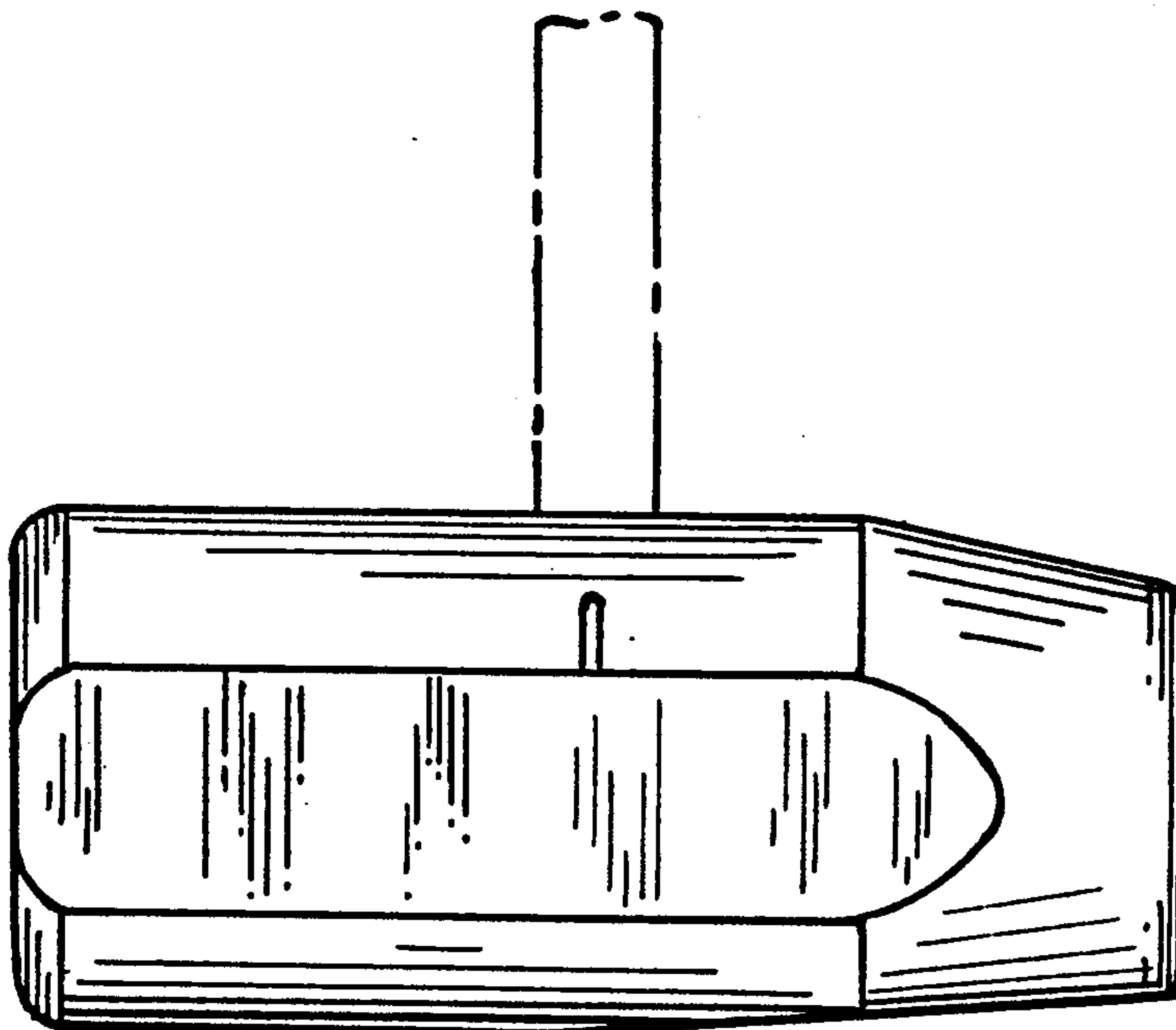


Fig. 1.

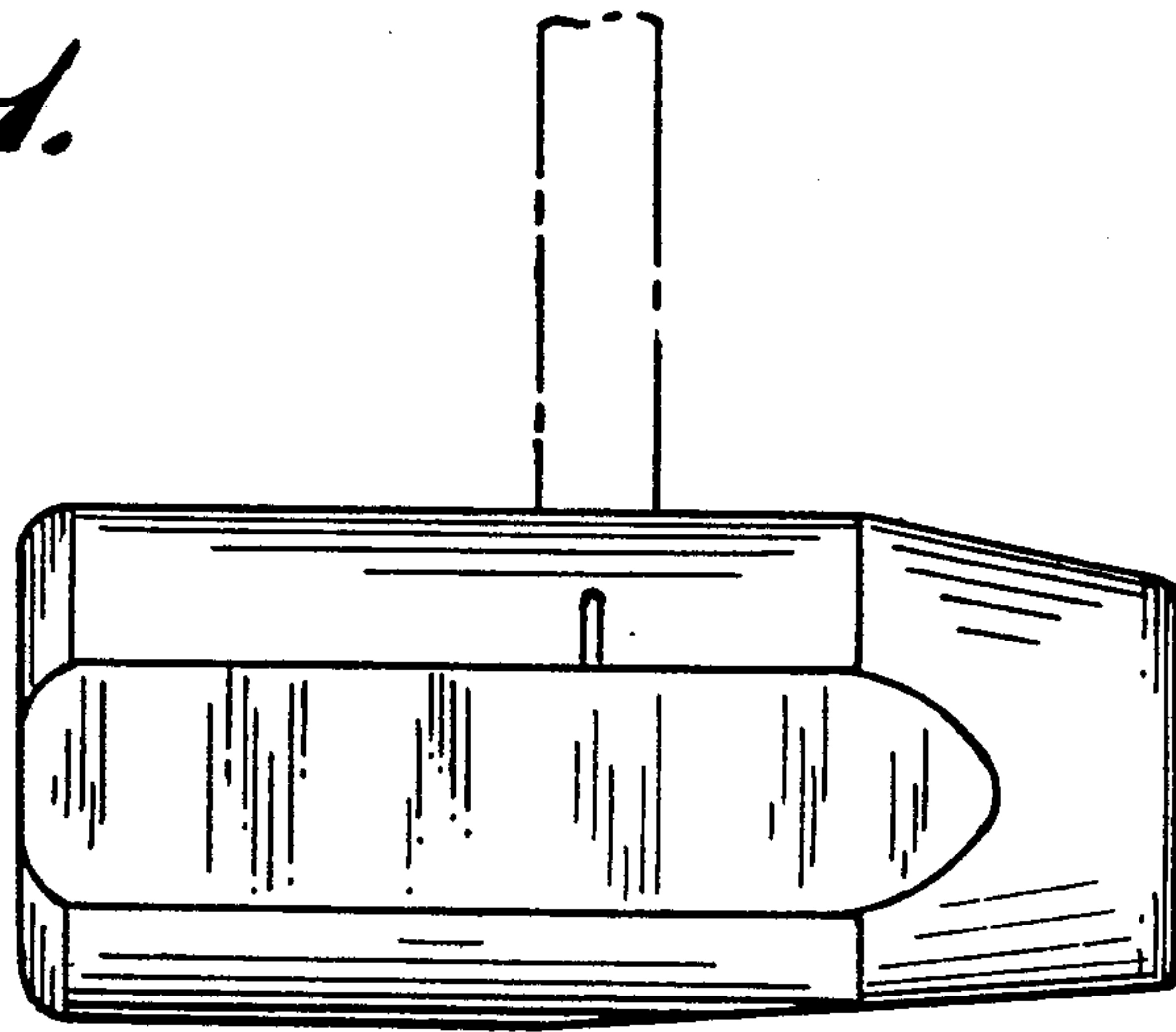


Fig. 2.

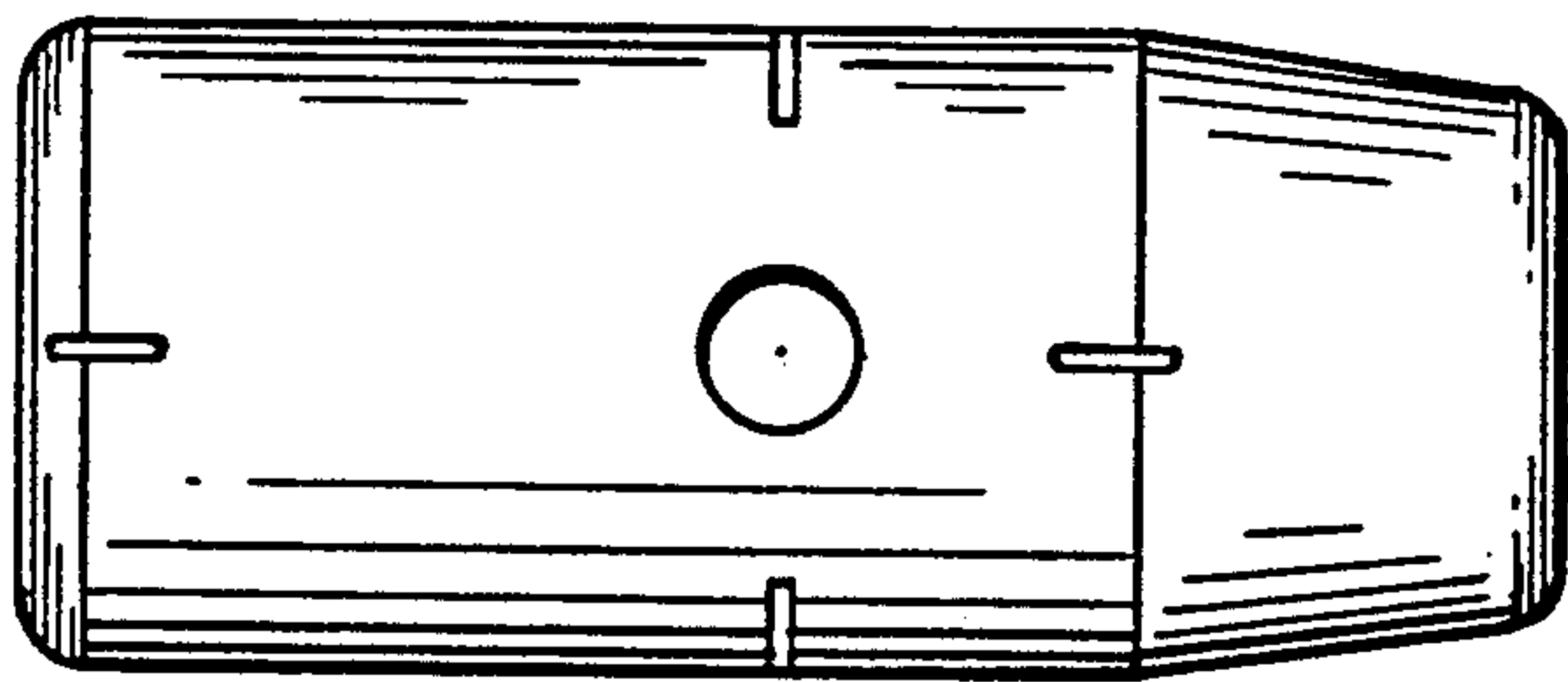


Fig. 3.

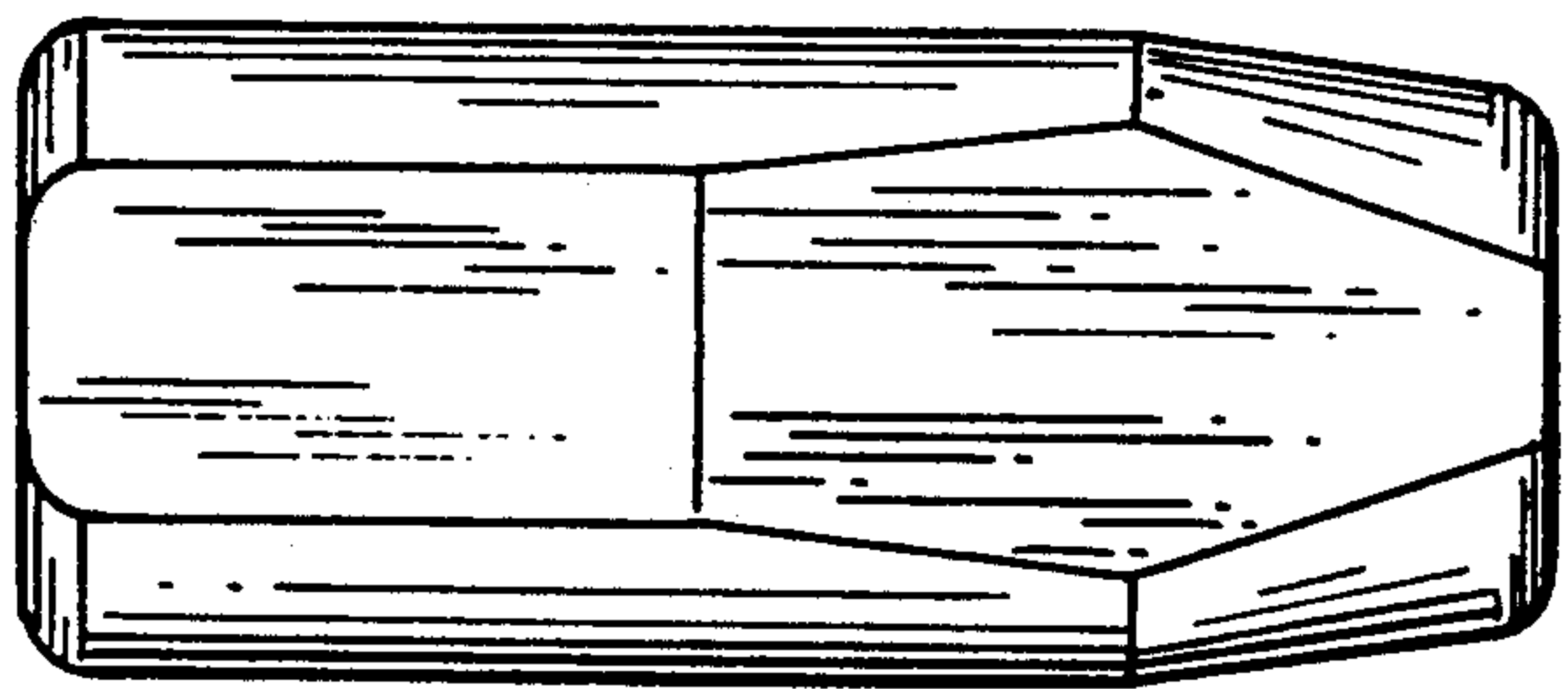


Fig. 4.

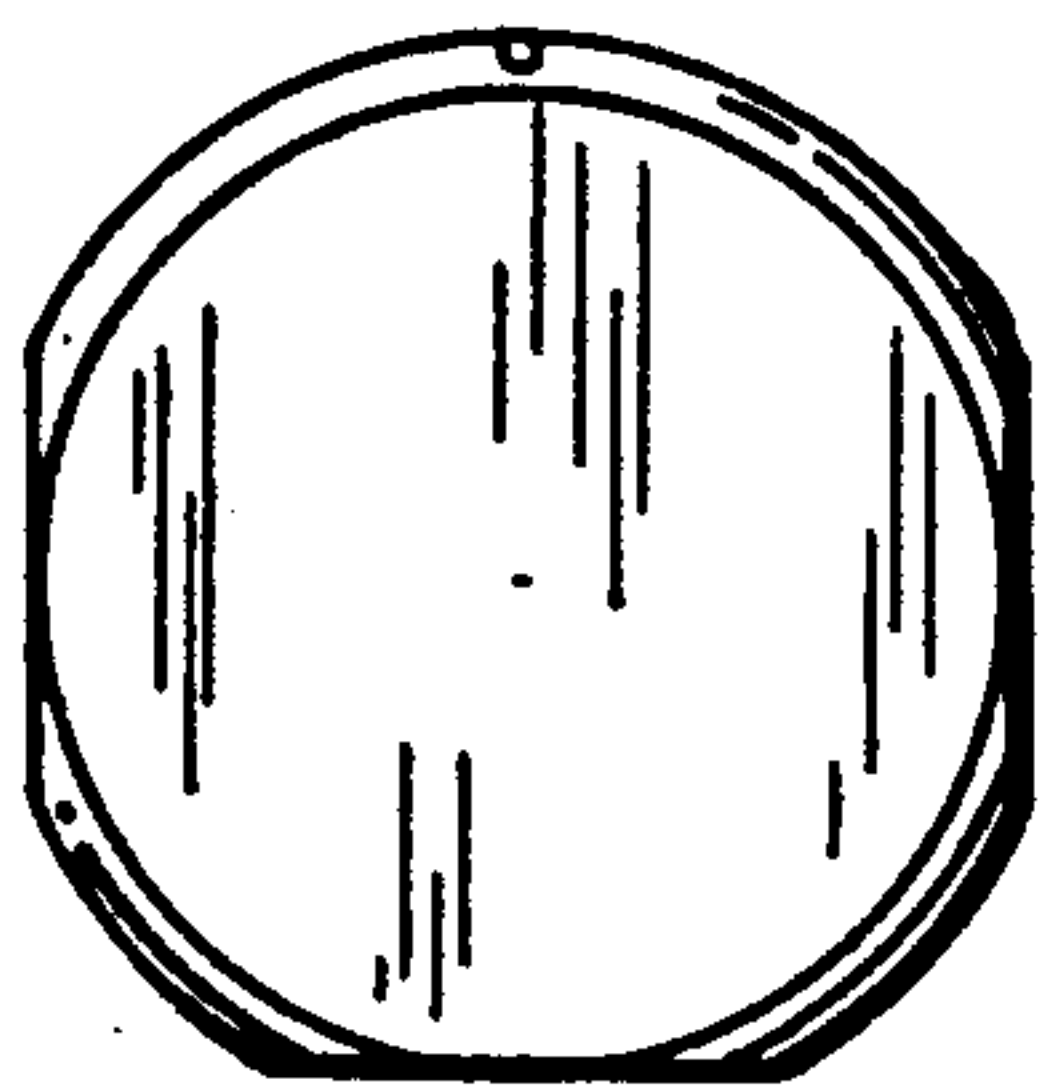


Fig. 5.

