

United States Patent [19]

Dalebout et al.

[11] Patent Number: Des. 316,124

[45] Date of Patent: ** Apr. 9, 1991

[54] TREADMILL WITH SIDERAIL

4,792,134 12/1988 Chen .

[75] Inventors: William T. Dalebout; Ty Measom,
both of Logan, Utah

FOREIGN PATENT DOCUMENTS

1395344 5/1988 U.S.S.R. 272/69

[73] Assignee: Weslo, Inc., Logan, Utah

OTHER PUBLICATIONS

[**] Term: 14 Years

The Fitness Store Catalog, 12-1988, p. 5, Treadmill #PR920.

[21] Appl. No.: 299,746

Precor USA Flier, 3-1987, #910EI Treadmill.

[22] Filed: Jan. 19, 1989

Primary Examiner—Charles A. Rademaker

[52] U.S. Cl. D21/192

Attorney, Agent, or Firm—Trask, Britt & Rossa

[58] Field of Search D21/191-199;
272/69, DIG. 6; 119/29

[57] CLAIM

[56] References Cited

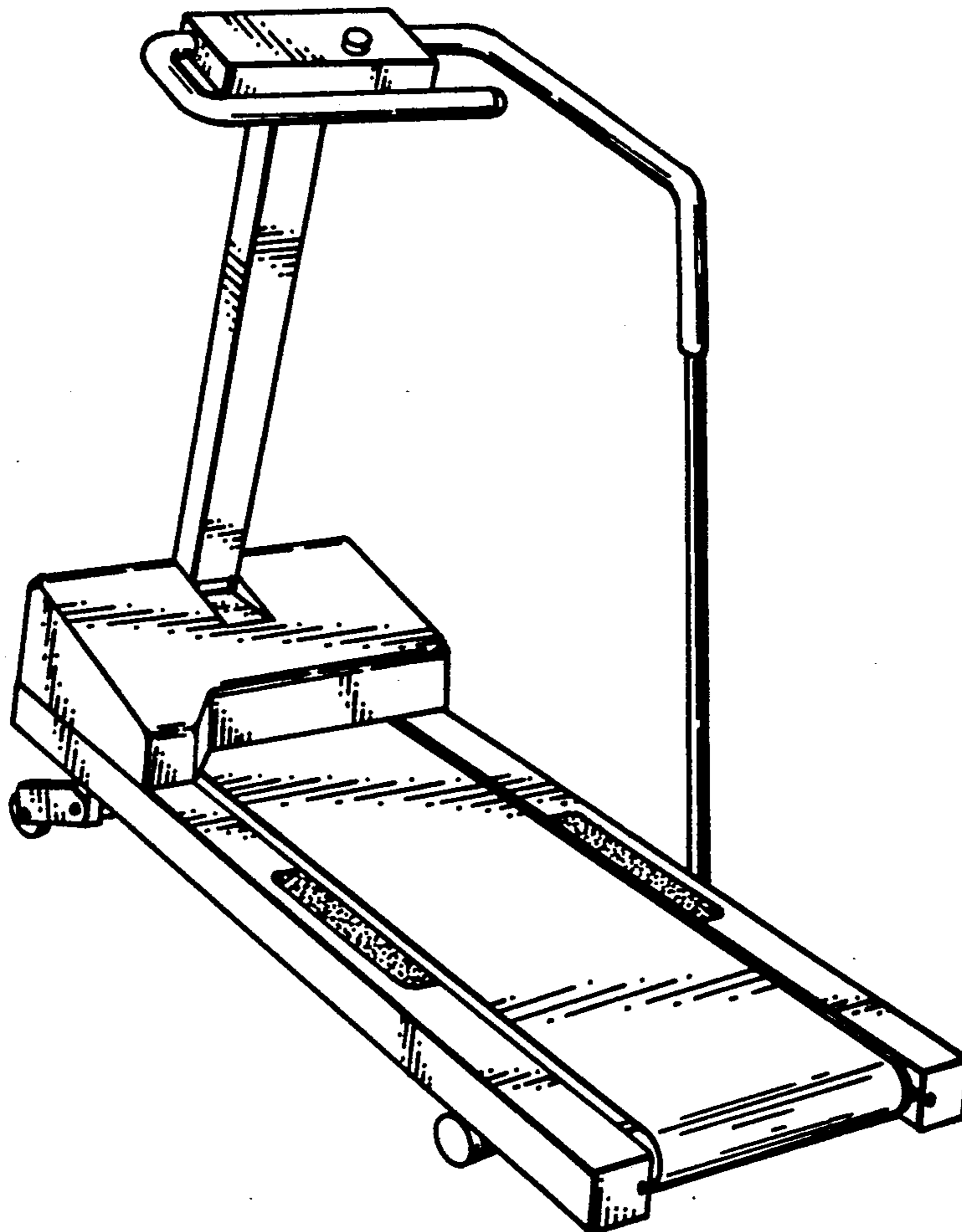
The ornamental design for a treadmill with siderail, as shown and described.

U.S. PATENT DOCUMENTS

DESCRIPTION

- D. 270,555 9/1983 Ogden .
- D. 280,002 8/1985 Smith .
- D. 283,239 4/1986 Smith et al. D21/192
- 4,502,679 3/1985 DeLorenzo .
- 4,591,147 5/1986 Smith et al. .
- 4,635,928 1/1987 Odgen et al. .
- 4,643,418 2/1987 Bart .
- 4,759,540 7/1988 Yu et al. 272/69

FIG. 1 is a perspective view of a treadmill with siderail showing our new design thereof;
 FIG. 2 is a left side elevational view thereof;
 FIG. 3 is a right side elevational view thereof;
 FIG. 4 is a top plan view thereof;
 FIG. 5 is a rear elevational view thereof; and
 FIG. 6 is a front elevational view thereof.



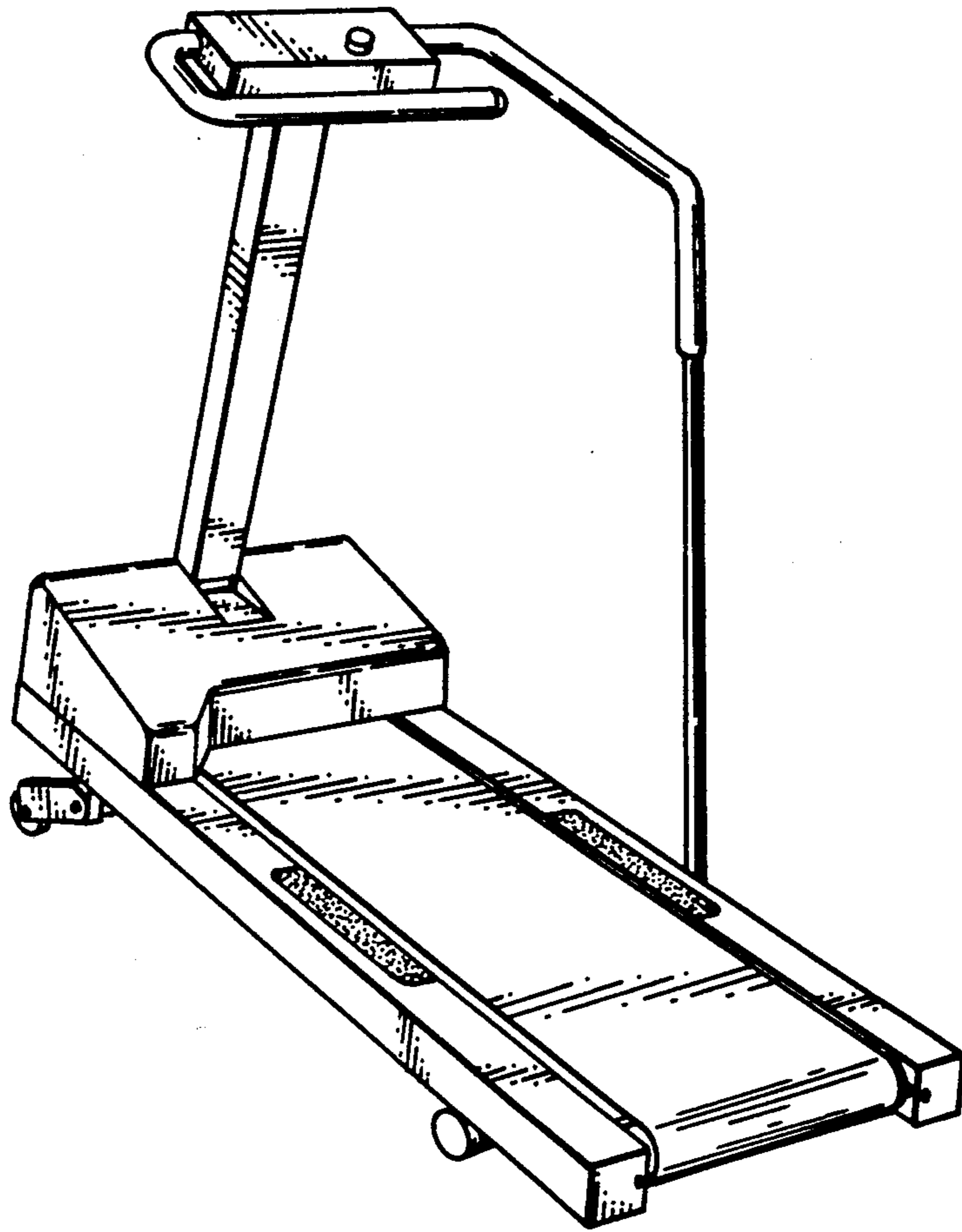


Fig. 1

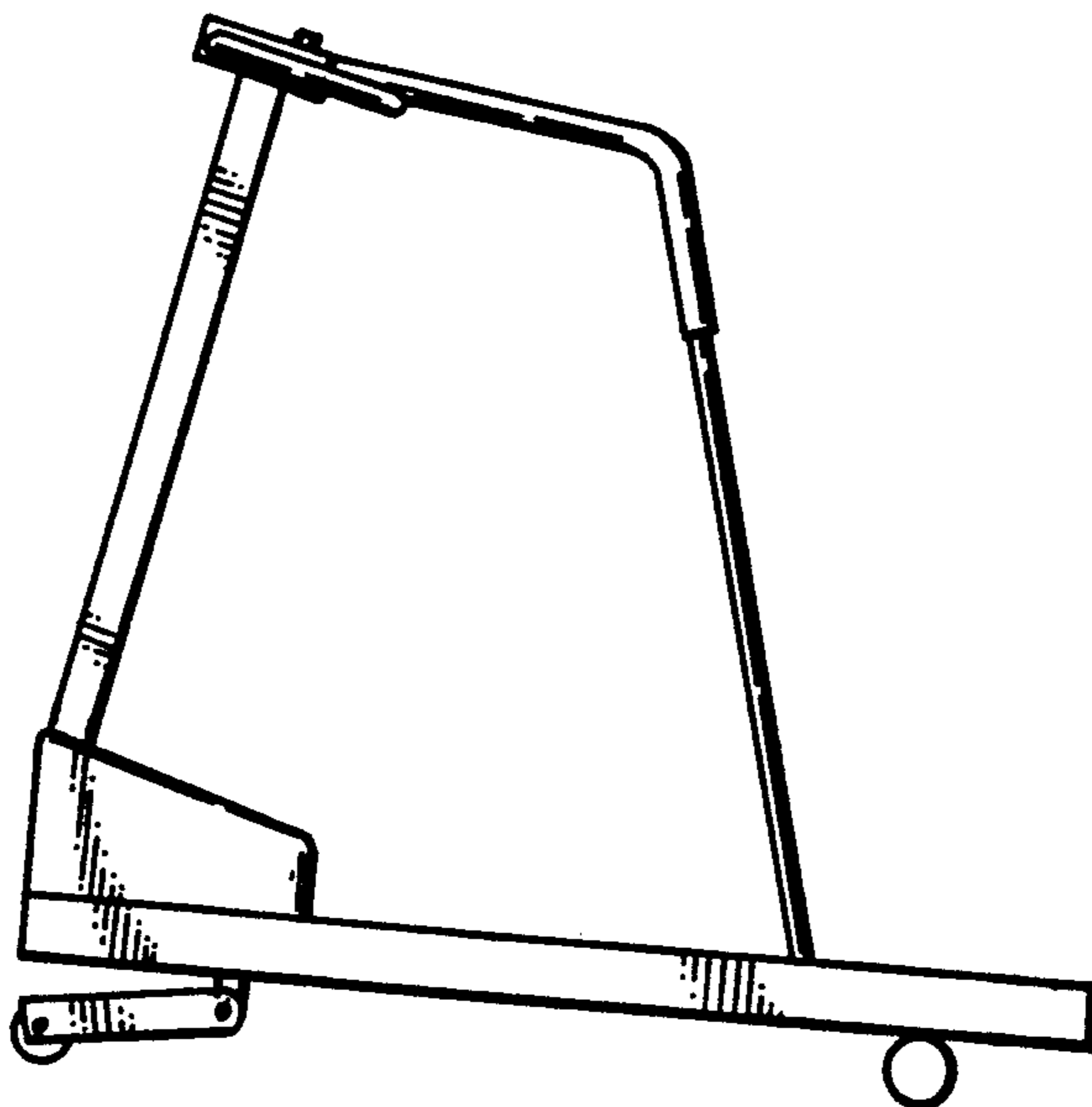


Fig. 2

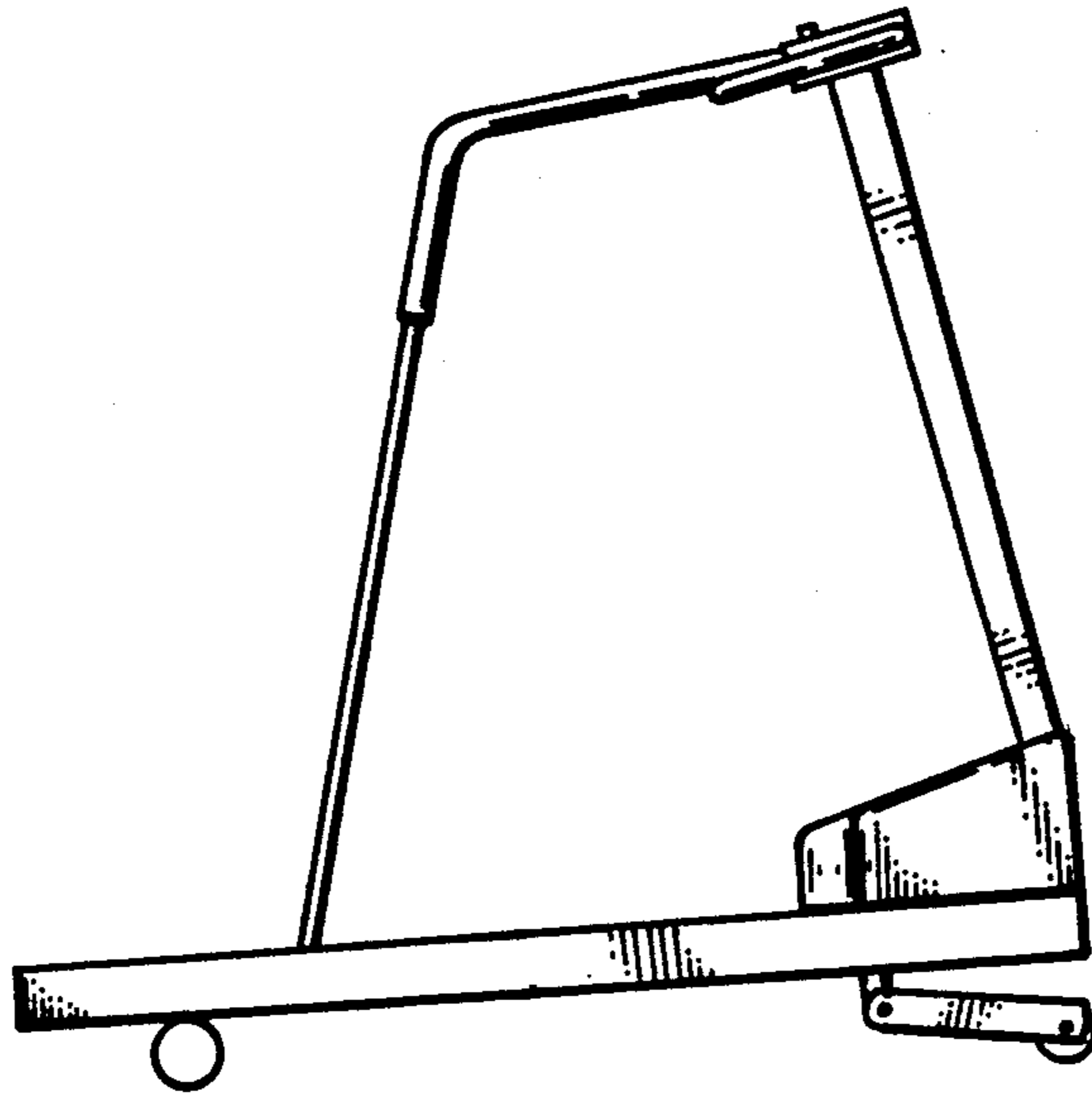


Fig. 3

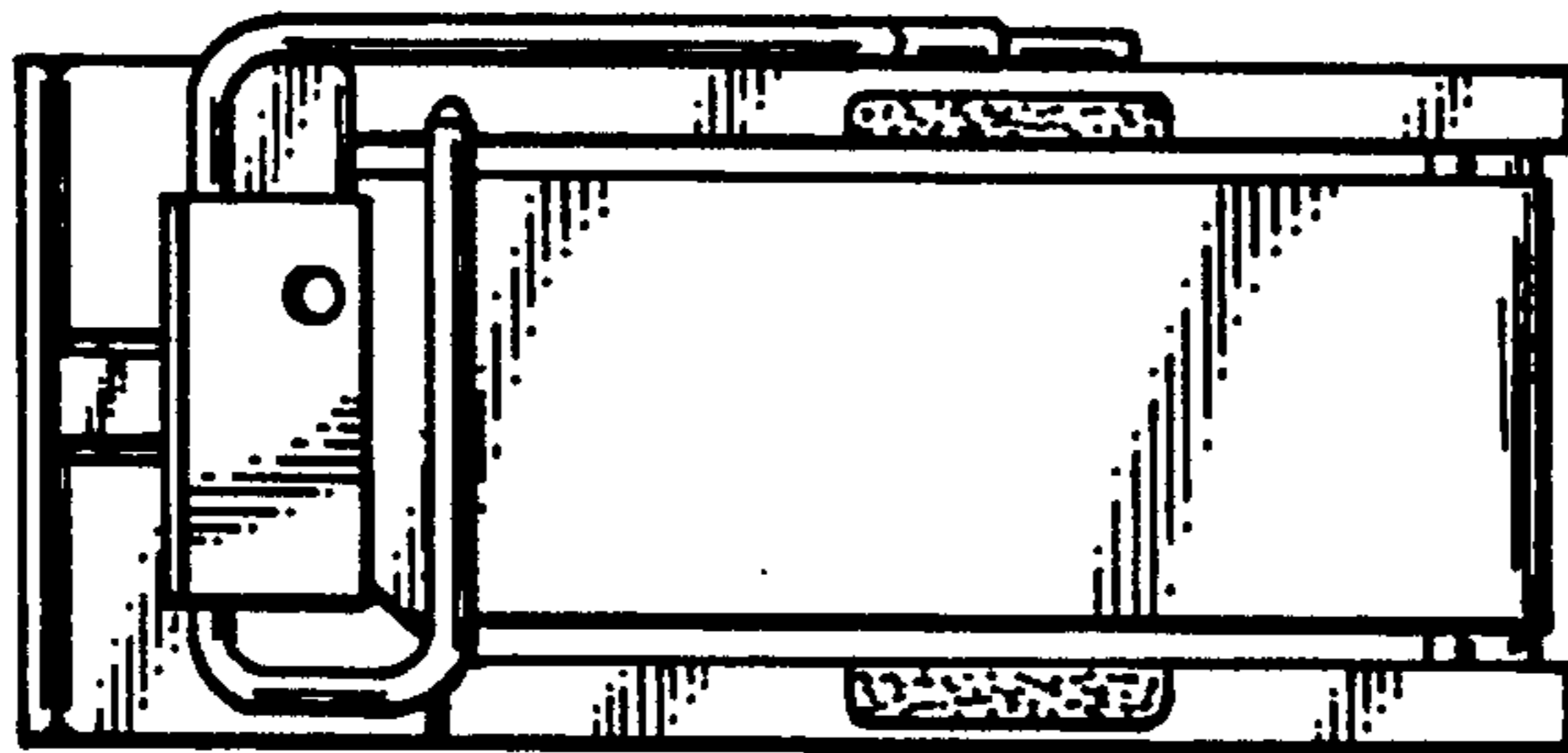


Fig. 4

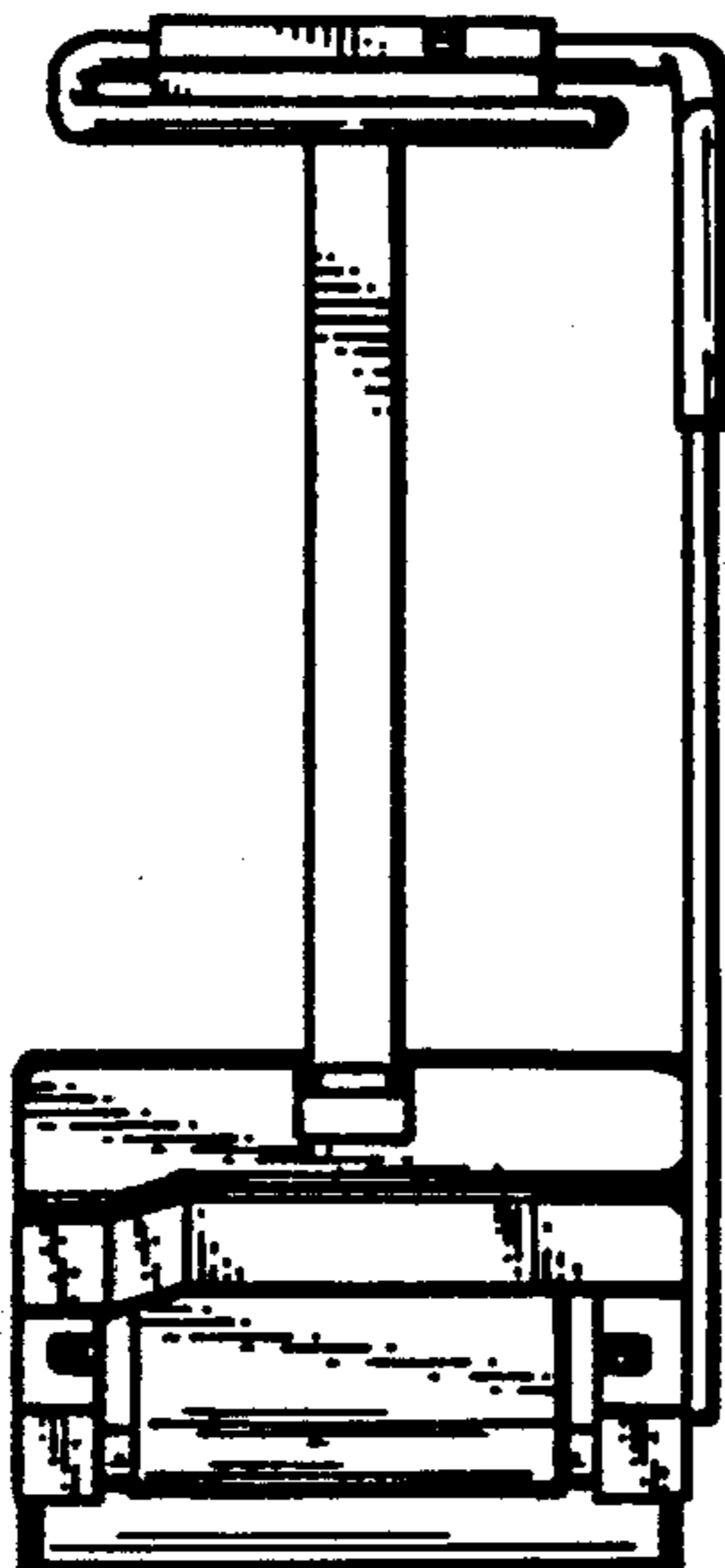


Fig. 5

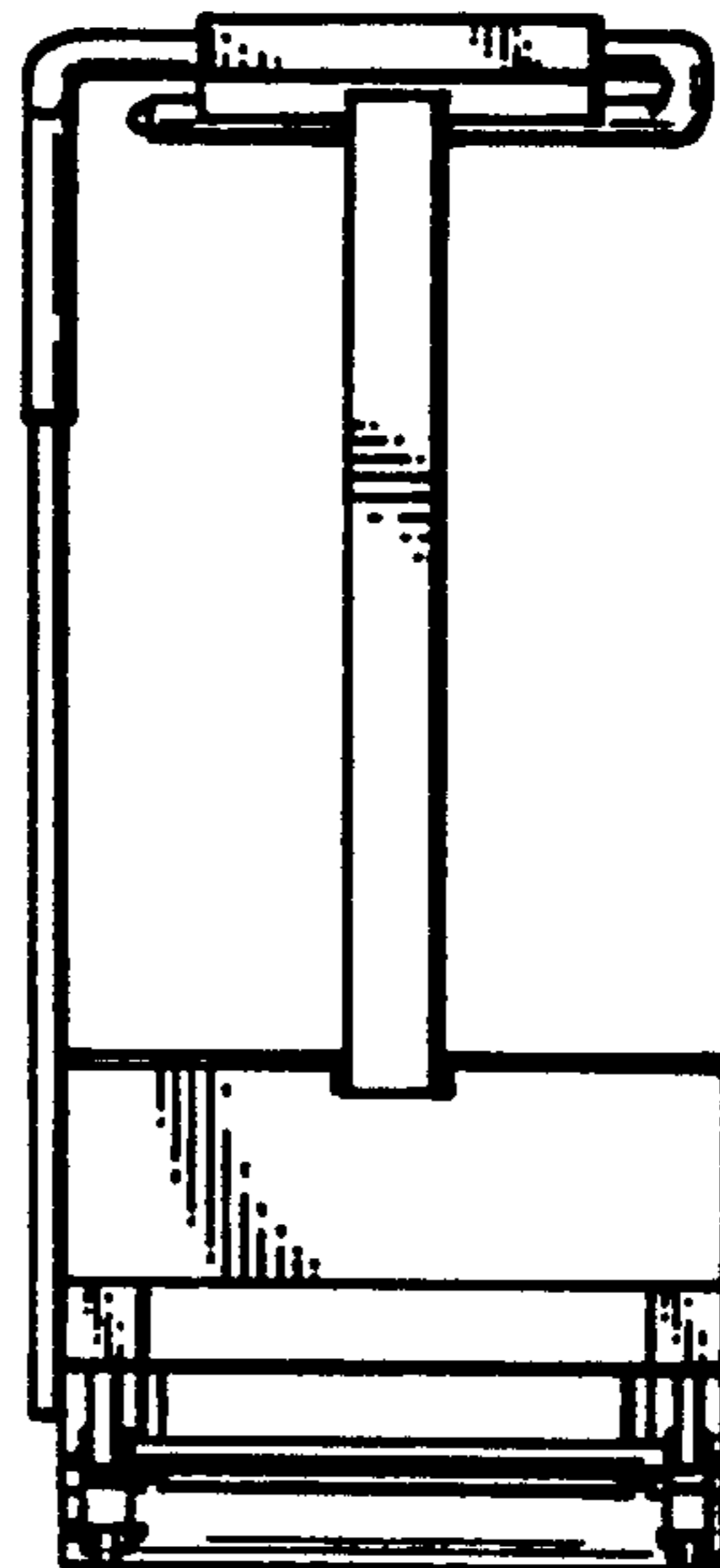


Fig. 6