

[54] TOY GUN

[75] Inventor: Joseph J. C. Shiung-Fei, Kowloon, Hong Kong

[73] Assignee: Tiger Electronics, Inc., Vernon Hills, Ill.

[**] Term: 14 Years

[21] Appl. No.: 243,050

[22] Filed: Sep. 9, 1988

[52] U.S. Cl. D21/146

[58] Field of Search D21/145, 146; D22/103; 446/401, 405-407, 473; 42/54

[56] References Cited

U.S. PATENT DOCUMENTS

- D. 286,308 10/1986 Mayer et al. D21/146
- D. 303,130 8/1989 Noble D21/146

- D. 308,400 6/1990 Ferri D21/146
- 4,808,143 2/1989 Kuo 446/473 X

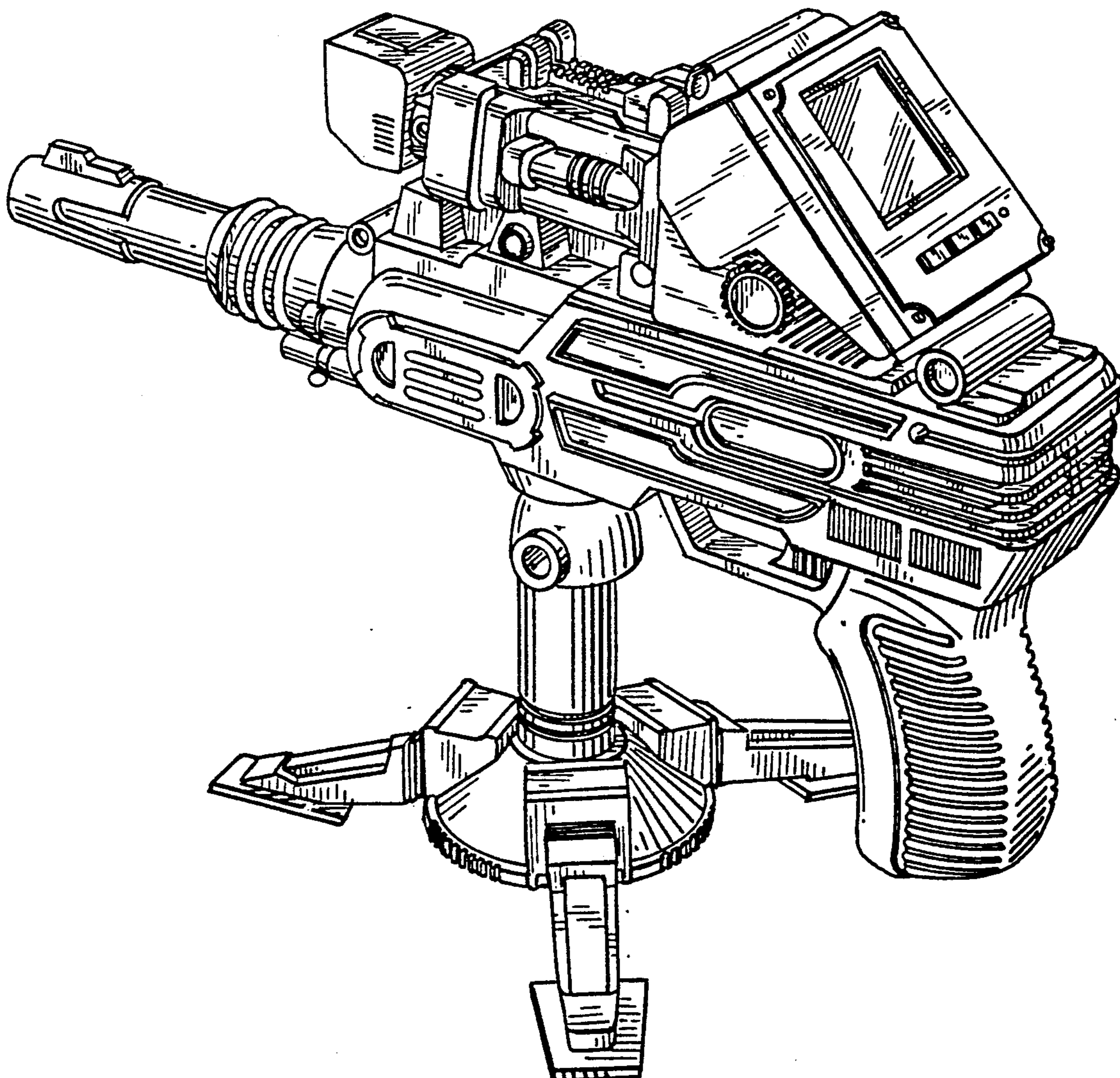
Primary Examiner—Bernard Ansher
Assistant Examiner—Terry A. Pfeffer
Attorney, Agent, or Firm—Dressler, Goldsmith, Shore, Sutker & Milnamow, Ltd.

[57] CLAIM

The ornamental design for a toy gun, as shown and described.

DESCRIPTION

FIG. 1 is a perspective view of a toy gun showing my new design;
FIG. 2 is a left side elevational view thereof;
FIG. 3 is a top plan view thereof;
FIG. 4 is a front elevational view thereof;
FIG. 5 is a rear elevational view thereof; and
FIG. 6 is a right side elevational view thereof.
The undisclosed bottom view is unornamented.



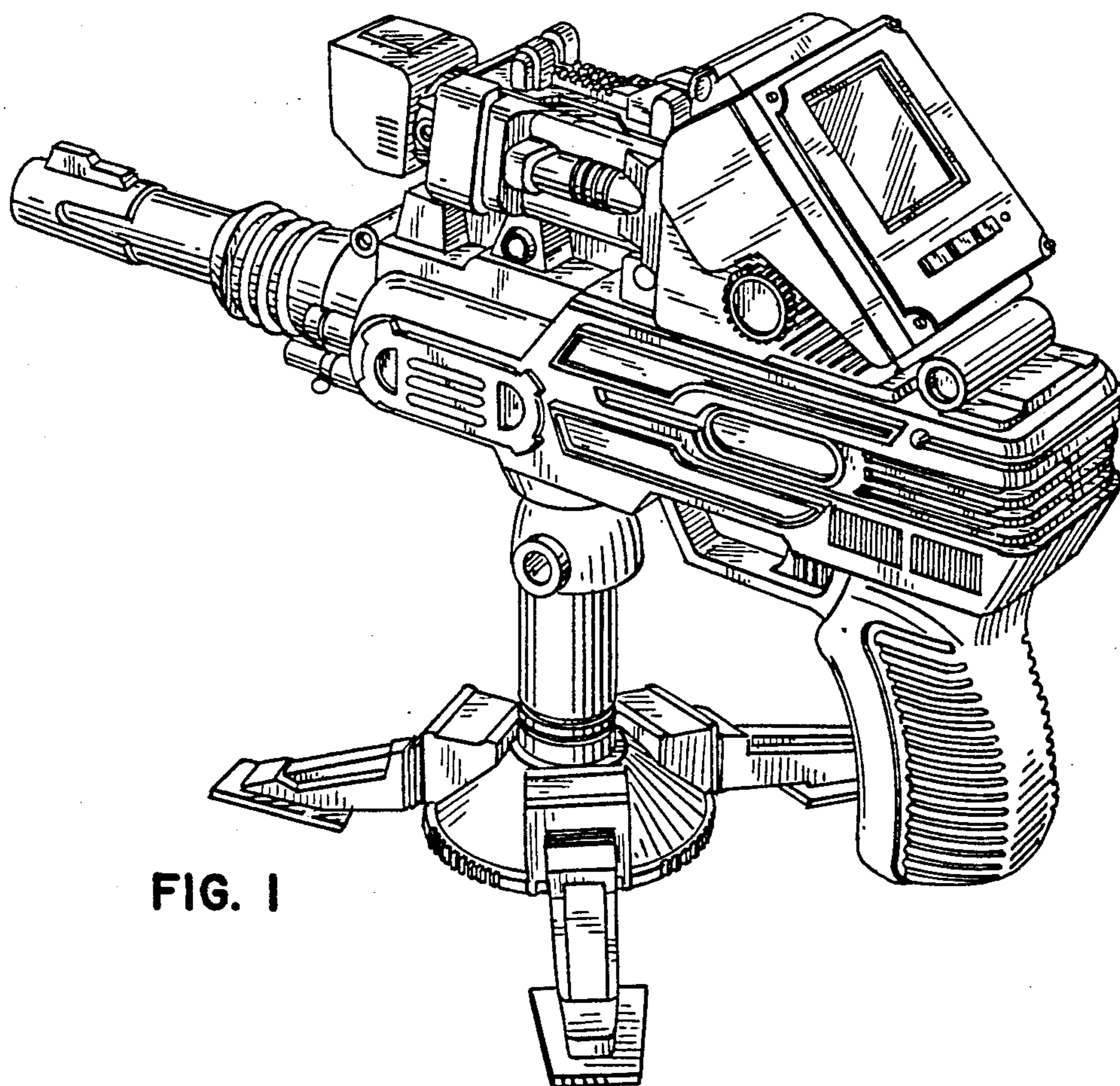


FIG. 1

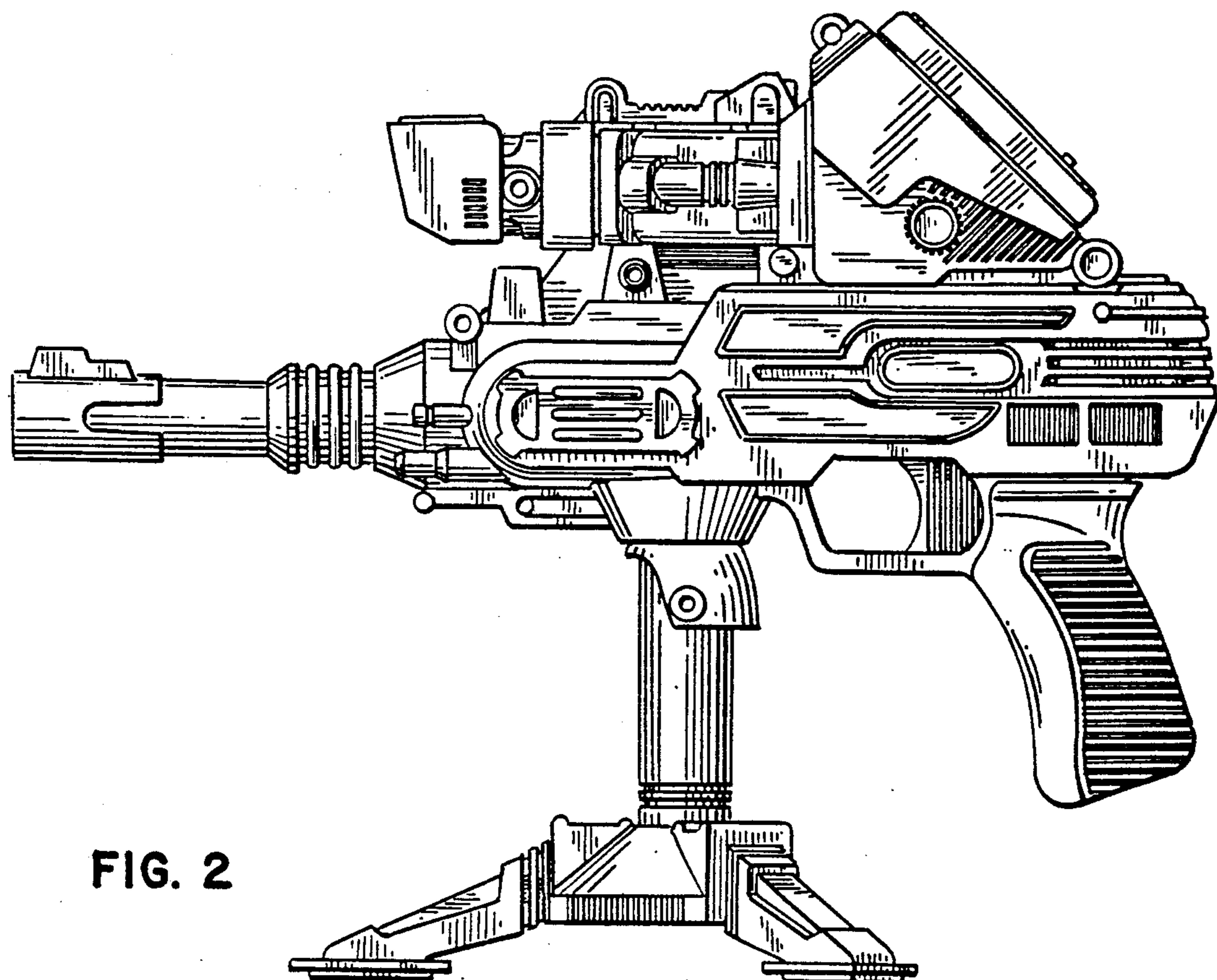


FIG. 2

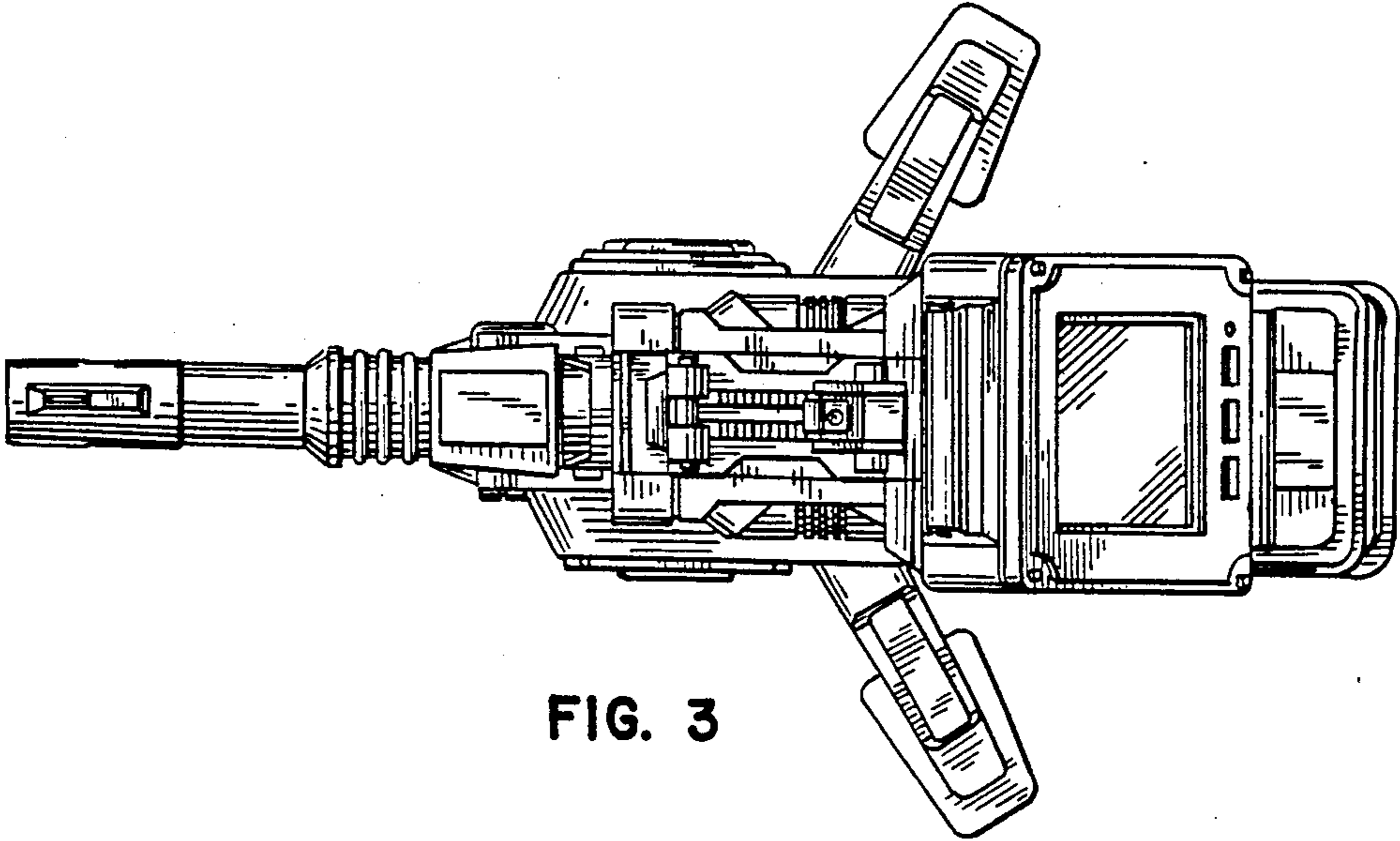


FIG. 3

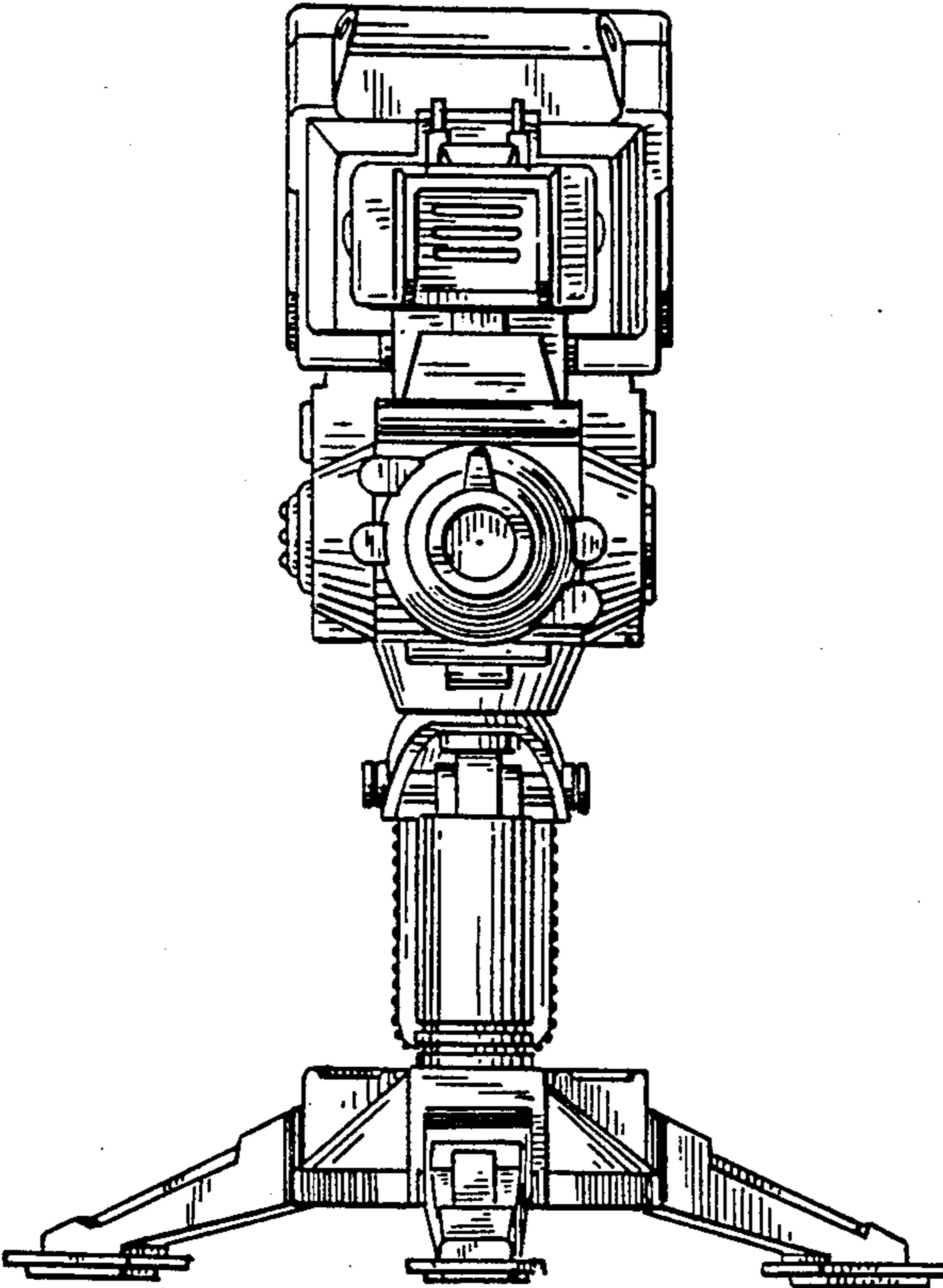


FIG. 4

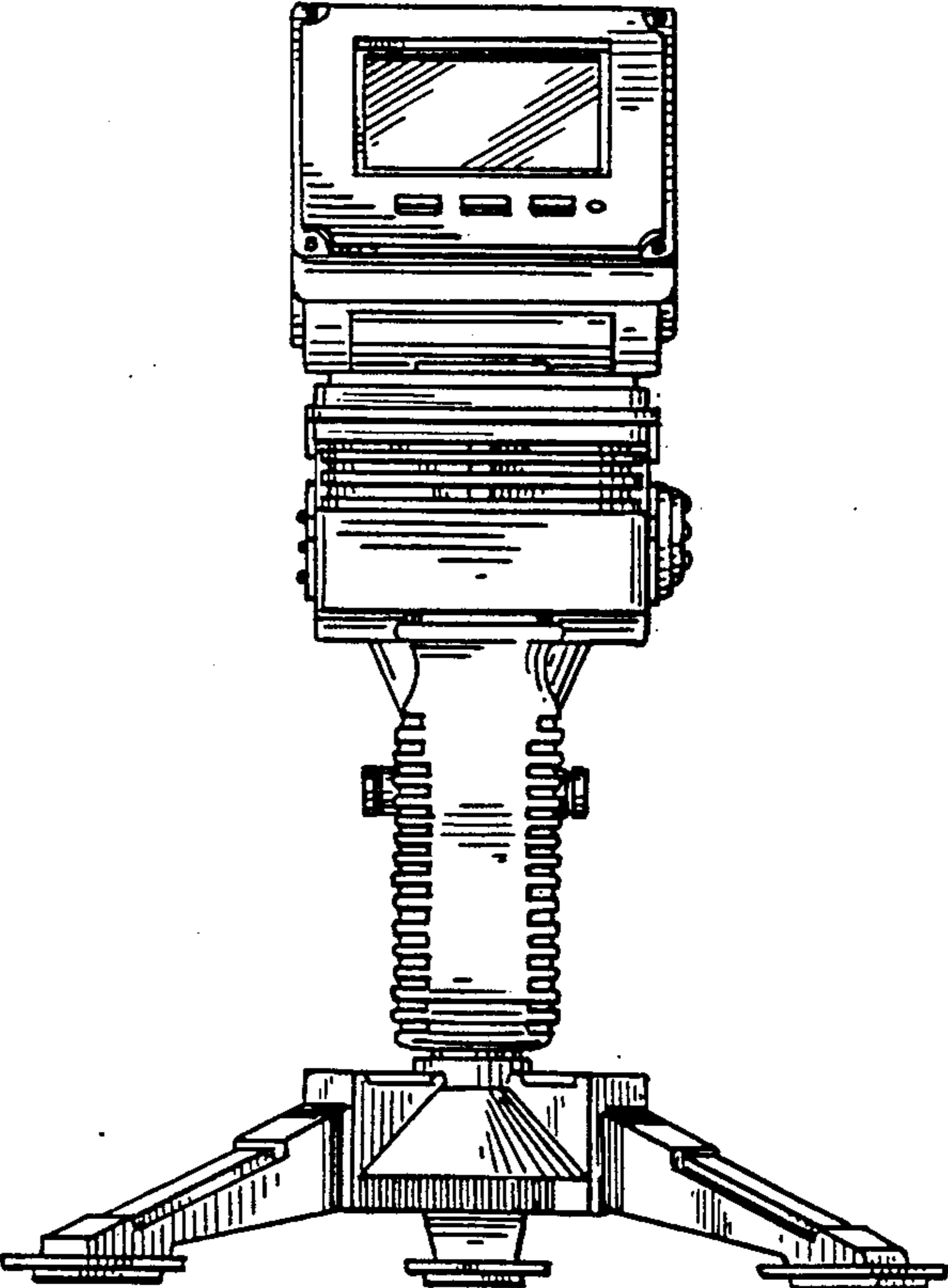


FIG. 5

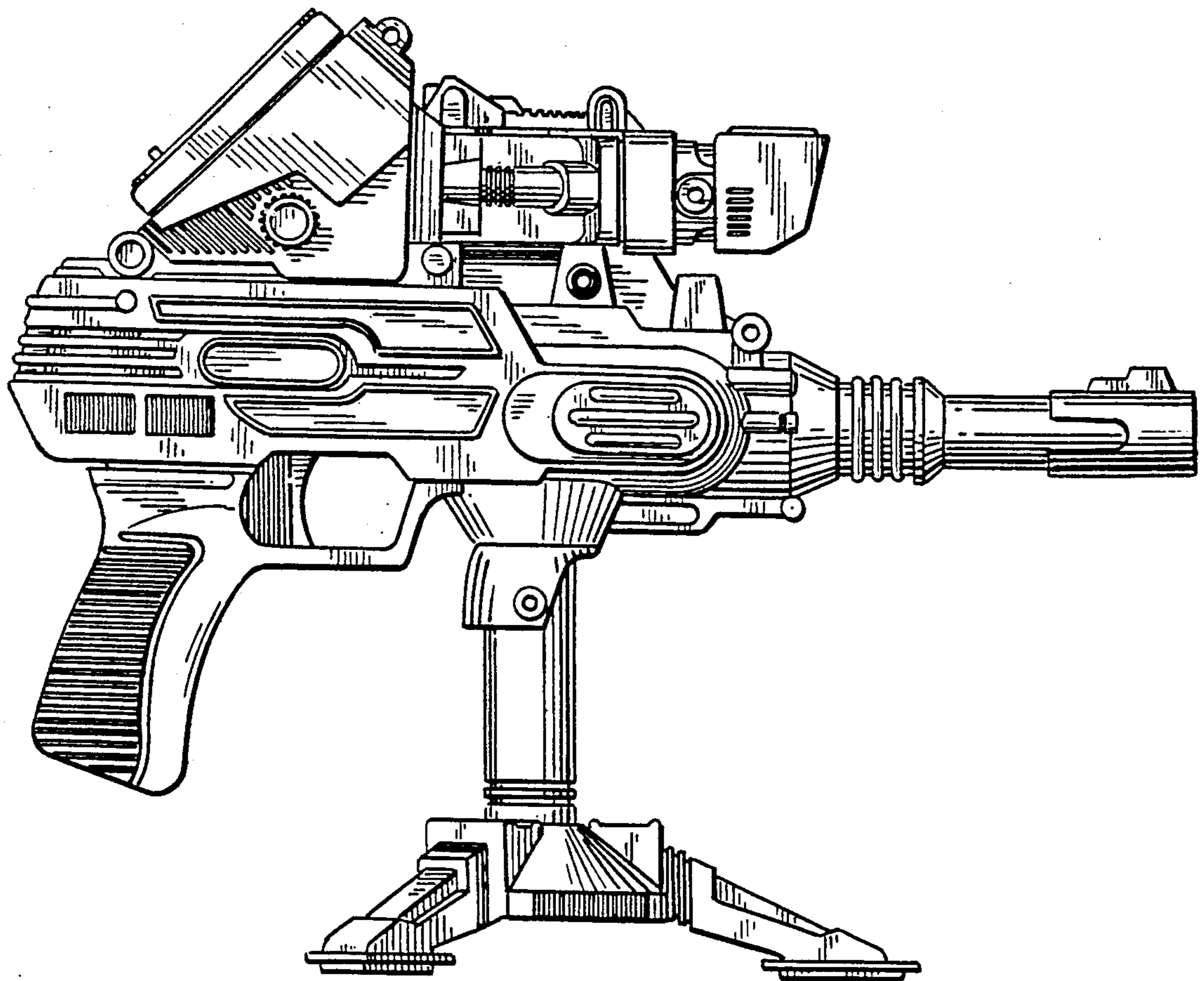


FIG. 6