

[54] **GOLF PUTTING DEVICE**

[75] **Inventors: Saul Morris; David J. Morris, both of Chattanooga, Tenn.; Michael R. Bays, Marietta, Ga.**

[73] **Assignee: Habitat International, Inc., Rossville, Ga.**

[**] **Term: 14 Years**

[21] **Appl. No.: 105,321**

[22] **Filed: Oct. 7, 1987**

[52] **U.S. Cl. D21/8**

[58] **Field of Search D21/8, 7, 11, 5, 1; 273/176, 176 B, 176 FA, 176 FB, 176 H, 176 F, 178 D, 178 R, 179 R, 179 A-179 C, 180, 177 R, 34 R**

[56] **References Cited**

U.S. PATENT DOCUMENTS

D. 161,248	12/1950	Darr	D21/8
D. 234,526	3/1975	Zawacki	D21/8
D. 245,931	9/1977	Alter et al.	D21/5
D. 271,647	12/1983	McLeod	D21/8
1,558,766	1/1922	Smith	273/179
1,558,767	10/1925	Smith	273/179
1,637,407	8/1927	Brumder	
1,667,481	4/1928	Lange et al.	273/179
1,676,804	7/1928	Scheck	273/179
1,689,475	10/1928	Brumder	273/179
1,689,476	10/1928	Brumder	273/129
1,784,863	12/1930	Busse	273/179
1,798,140	3/1931	Byers	273/179
1,911,402	5/1933	Scurlock	273/179
2,110,925	3/1936	Trangmar	273/179

2,232,569	2/1941	Johnson	273/179
2,379,663	7/1945	Smith	273/179
2,609,199	9/1952	Koener	273/179
3,264,000	8/1966	Brown	273/179
3,275,325	9/1966	MacKenzie	273/179
3,411,788	11/1968	Blanding	273/182
4,634,130	1/1987	Simjiam	273/176

OTHER PUBLICATIONS

Kuroco Industries Catalog.
 Miya Epoch, Inc. Catalog, prior to 7-2-87.
 Photographs of Kuroco Putting Practice Mat, prior to 7-2-87.

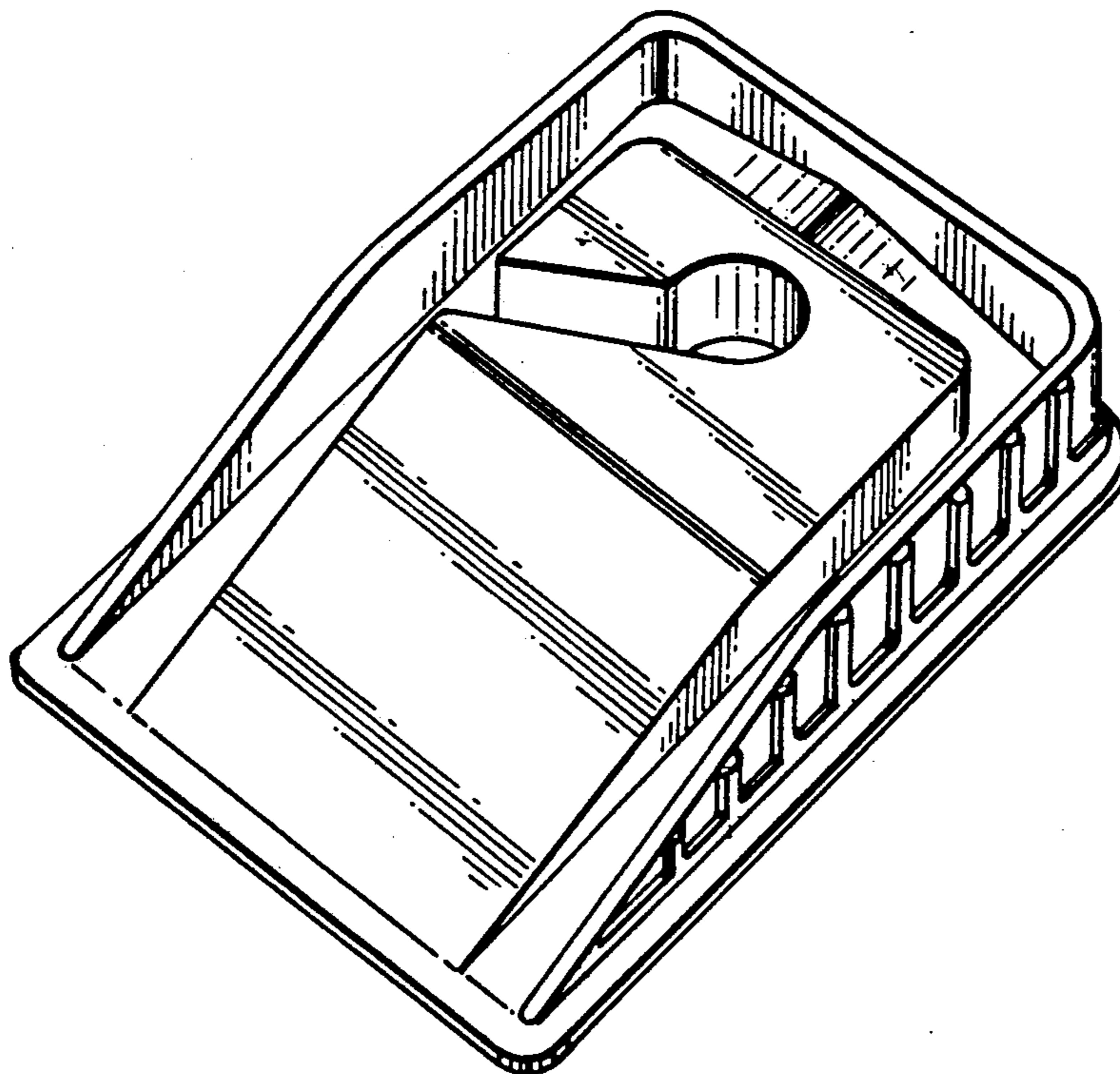
Primary Examiner—Louis S. Zarfes
Assistant Examiner—R. T. Seifert
Attorney, Agent, or Firm—Larson and Taylor

[57] **CLAIM**

The ornamental design for a golf putting device, as shown and described.

DESCRIPTION

FIG. 1 is a top plan view of a golf putting device showing my design, the broken line showing of an elongated carpet is for illustrative purposes only and forms no part of the claimed design;
 FIG. 2 is a top perspective view;
 FIG. 3 is a bottom perspective view;
 FIG. 4 is a cross-sectional view taken along the lines 4-4;
 FIG. 5 is a cross-sectional view taken along the lines 5-5;
 FIG. 6 is a side elevational view, the opposite side being a mirror image; and
 FIG. 7 is a rear elevational view.



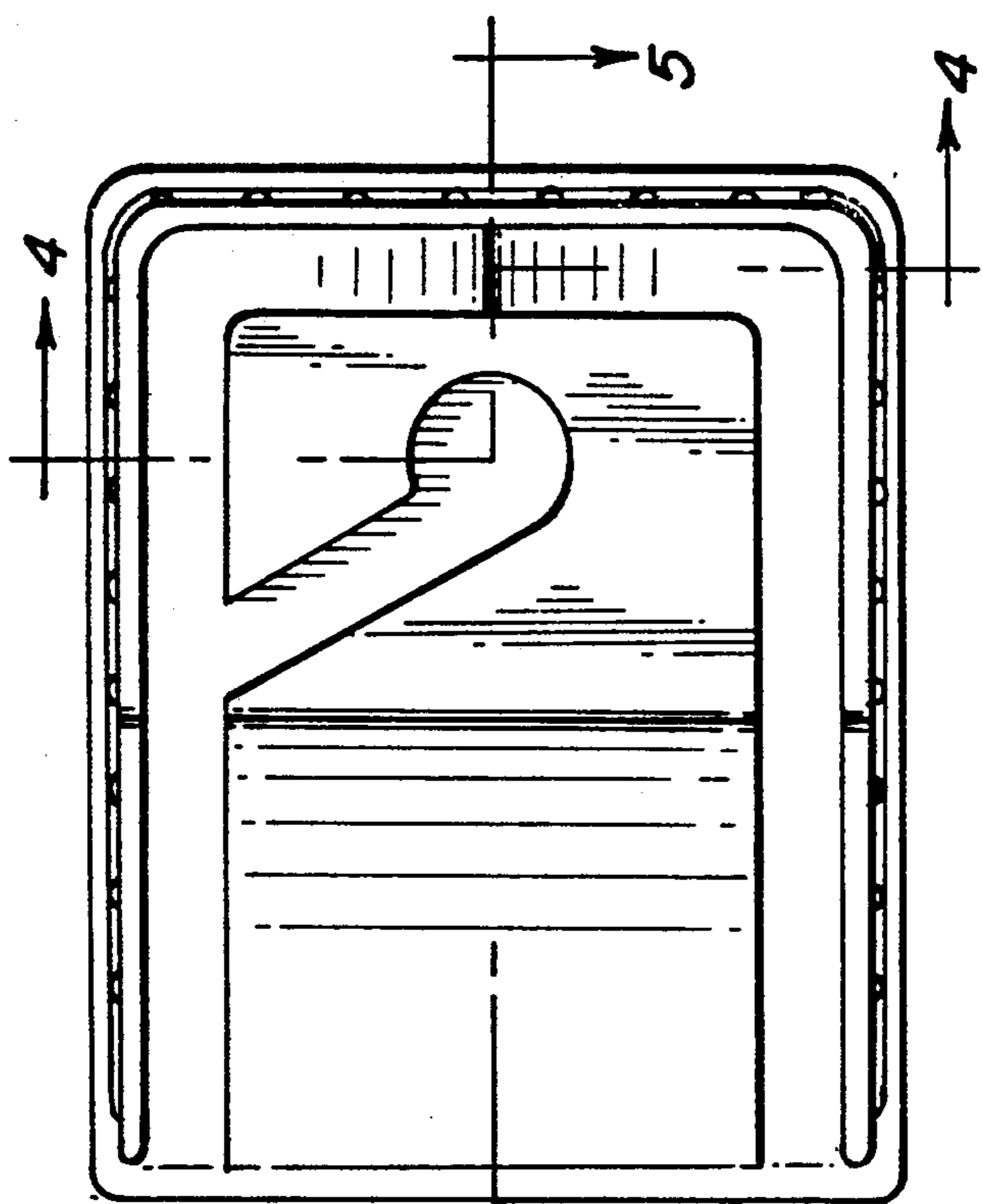


FIG. 1

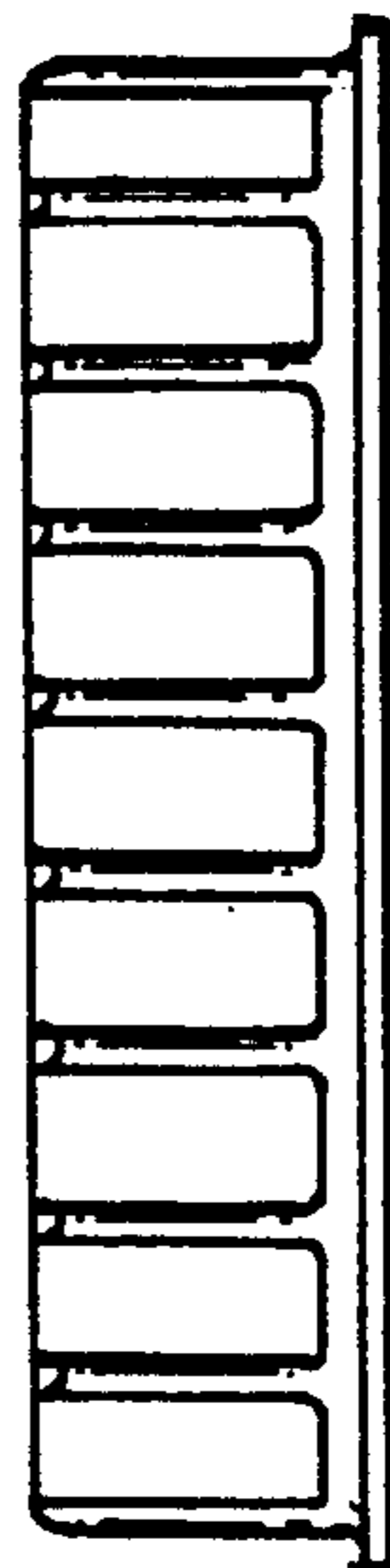
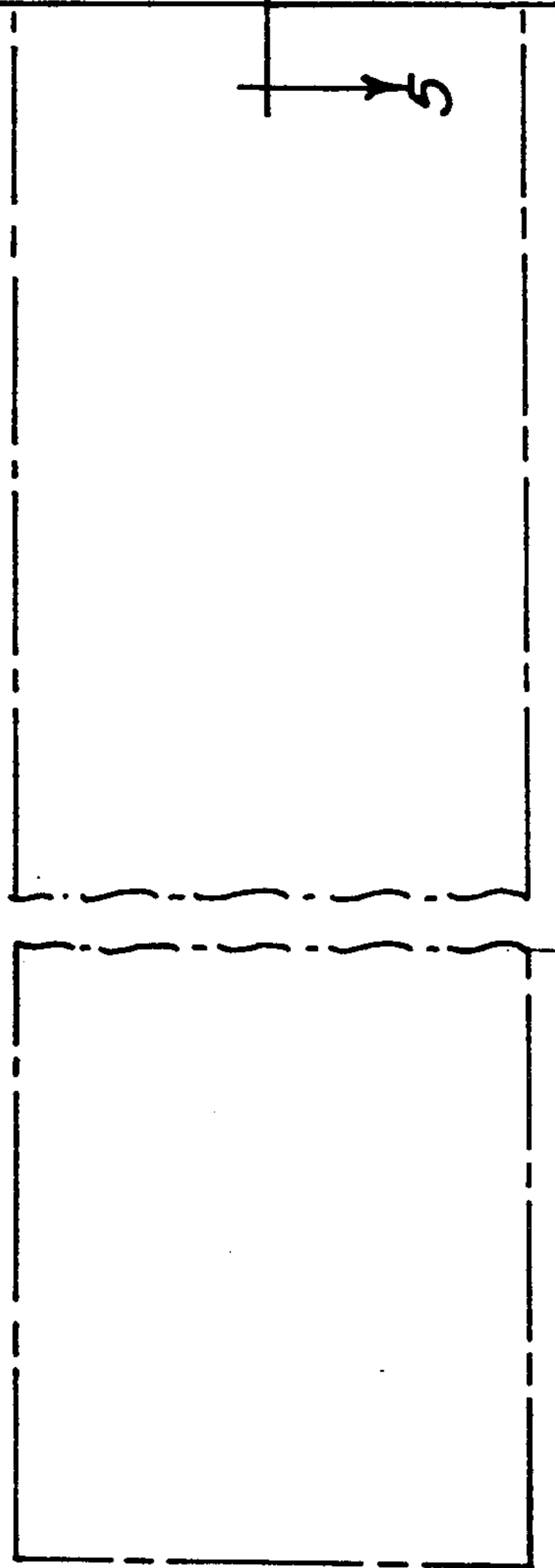


FIG. 7

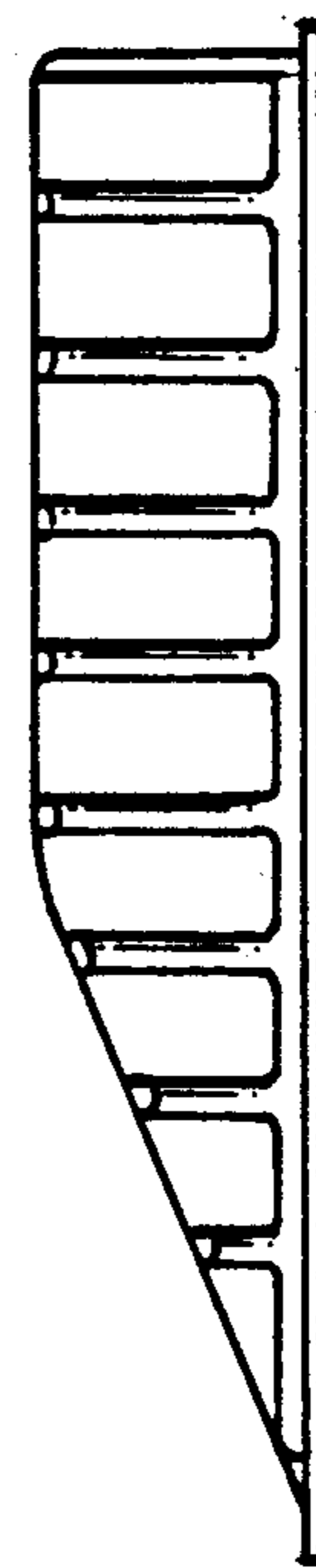


FIG. 6

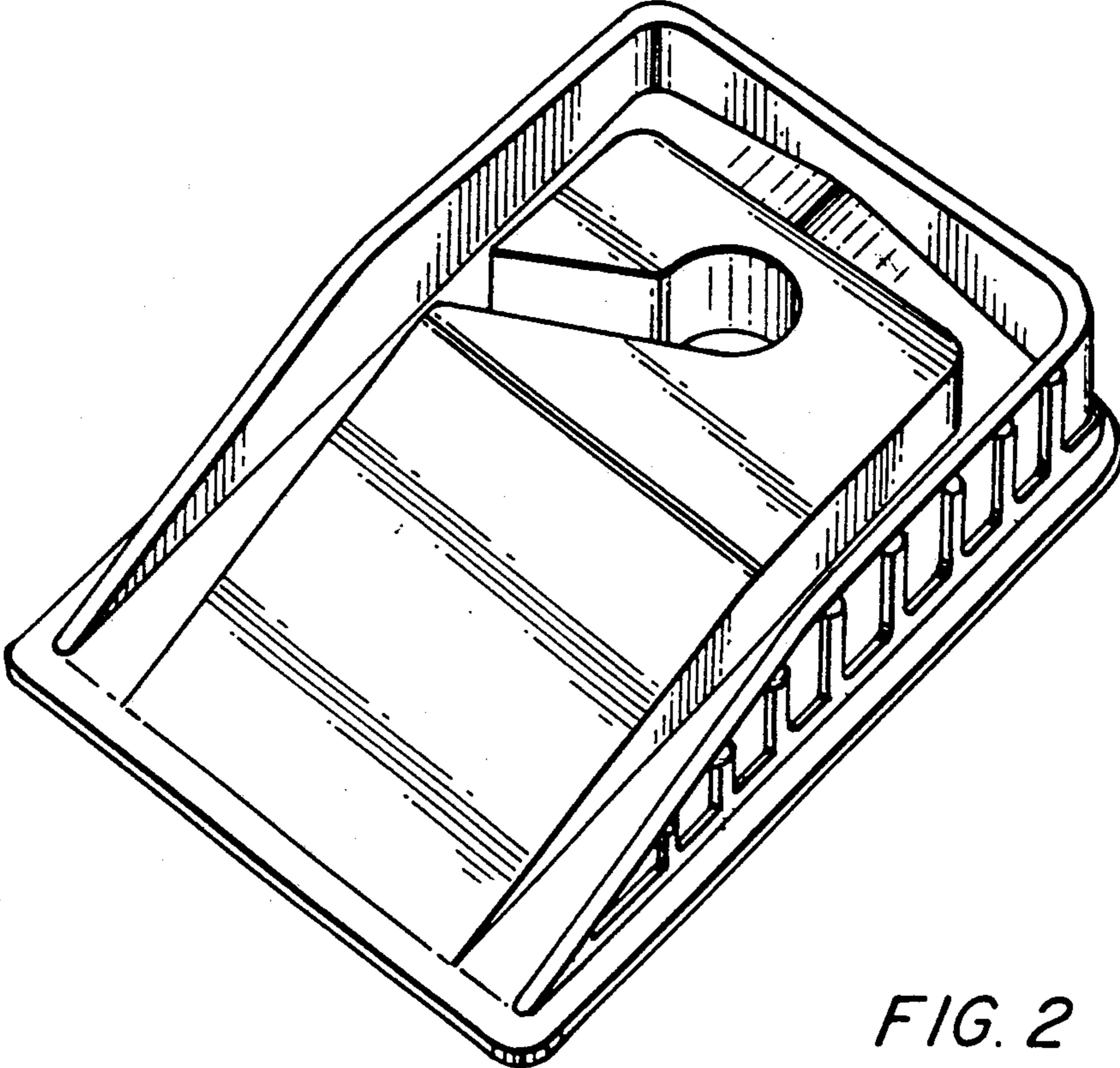


FIG. 2

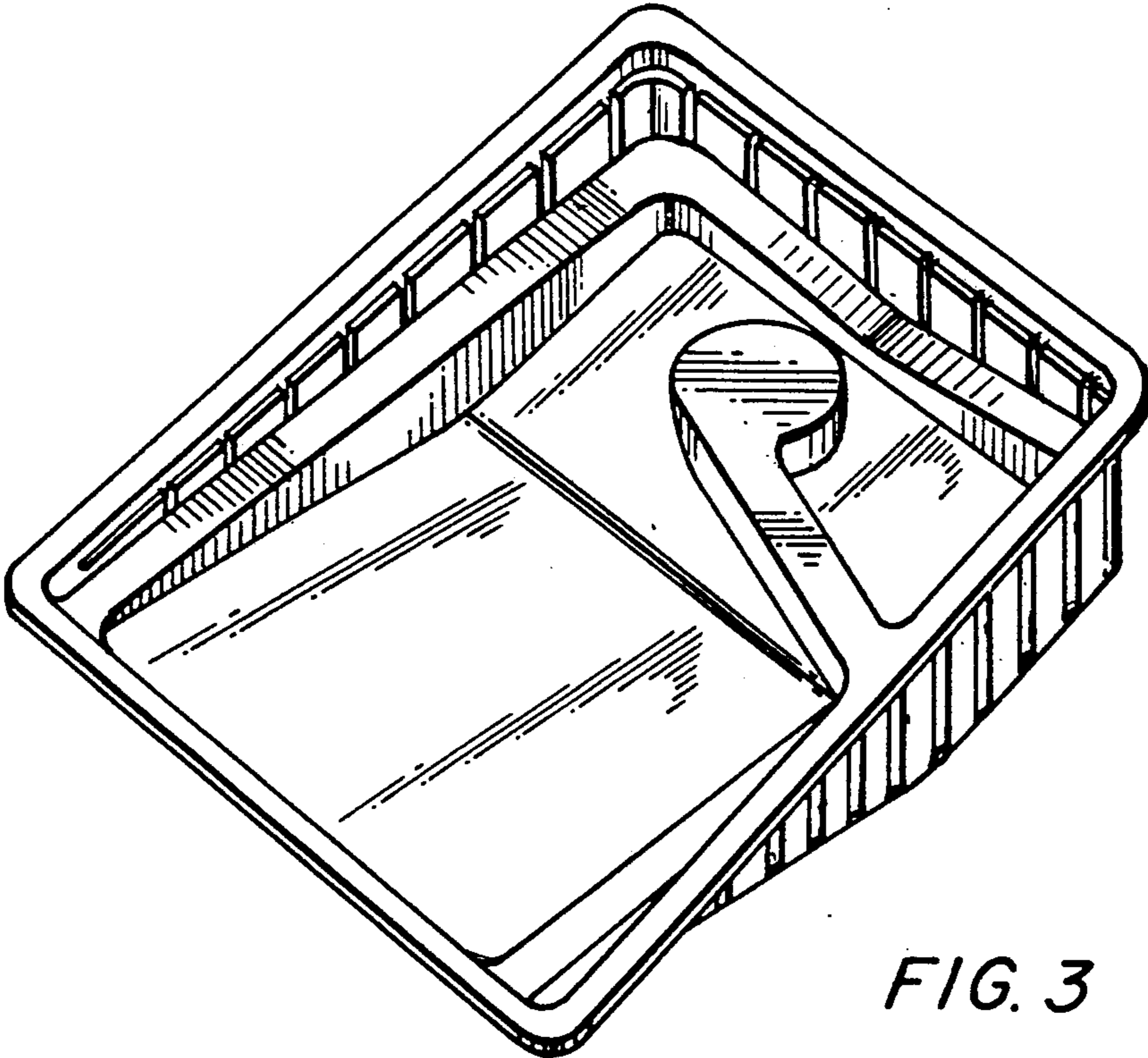


FIG. 3

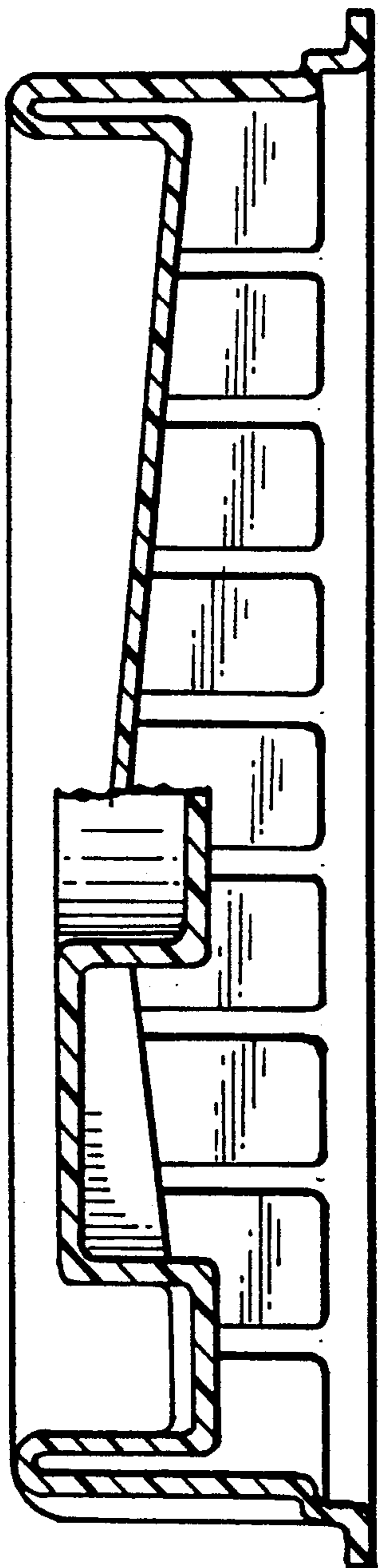


FIG. 4

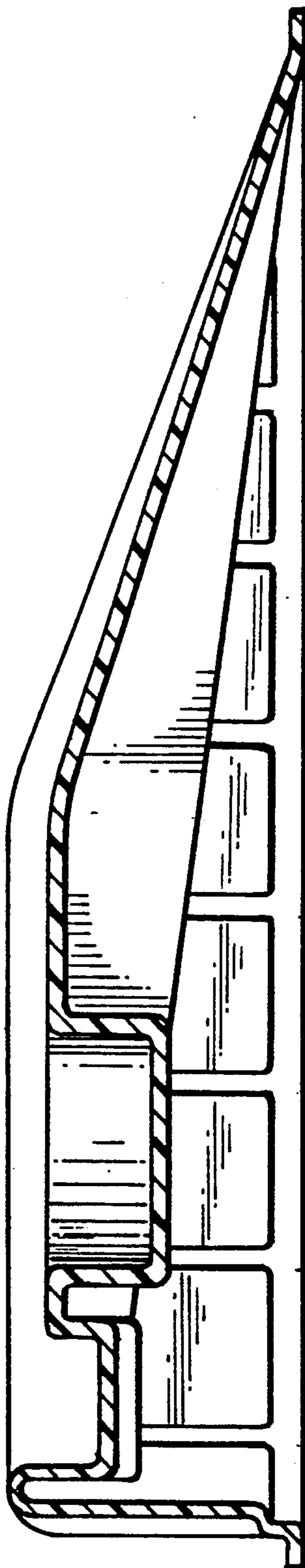


FIG. 5