

[54] DOCUMENT HOLDER FOR A COMPUTER TERMINAL

[75] Inventors: Dale G. Davis, Warren, Mich.; Shane E. Davis, 8228 Paige, Warren, Mich. 48089

[73] Assignee: Shane E. Davis, Warren, Mich.

[**] Term: 14 Years

[21] Appl. No.: 169,774

[22] Filed: Mar. 18, 1988

[52] U.S. Cl. D19/91; D14/114; D19/86; D19/88; D19/90

[58] Field of Search D14/114; D19/65, 75, D19/86, 88, 90, 91, 99, 100; D6/419; 248/441.1, 442.2, 444.1, 447.2; 40/341, 349, 350, 352

[56] References Cited

U.S. PATENT DOCUMENTS

- D. 169,906 6/1953 Lewis D19/91
- D. 230,376 2/1974 Andrew D19/91
- D. 234,172 1/1975 Ranney D19/91 X
- D. 242,808 12/1976 Moberg D19/91 X
- D. 242,918 1/1977 Rieu D19/91
- D. 249,953 10/1978 Drake D19/91
- D. 253,775 12/1979 Rieu D19/91
- D. 256,203 8/1980 Brothers D19/91 X

- D. 261,533 10/1981 Nagley D19/91
- D. 262,978 2/1982 Nagley D19/91
- D. 266,571 10/1982 Charbonneau D19/76
- D. 271,501 11/1983 Manning et al. D19/91
- D. 272,547 2/1984 Gordon D19/91
- D. 278,109 3/1985 Leeds D6/419
- D. 284,777 7/1986 Anthony D19/91
- D. 292,249 10/1987 Stade D19/91 X
- 2,528,990 11/1950 Atwood D19/91 X
- 4,243,335 1/1981 Singley 40/341

OTHER PUBLICATIONS

Global Computer Supplies, Oct. 1986, see p. 16, lower left.

Viking Discount Office Products ©1987, see p. 10, upper right.

Primary Examiner—Bruce W. Dunkins

Assistant Examiner—Martha Thompson

Attorney, Agent, or Firm—Krass & Young

[57] CLAIM

The ornamental design for a document holder for a computer terminal, as shown and described.

DESCRIPTION

FIG. 1 is a front perspective view of a document holder for a computer terminal showing our new design; FIG. 2 is a top plan view; FIG. 3 is a right side elevational view thereof; and FIG. 4 is a rear elevational view thereof.

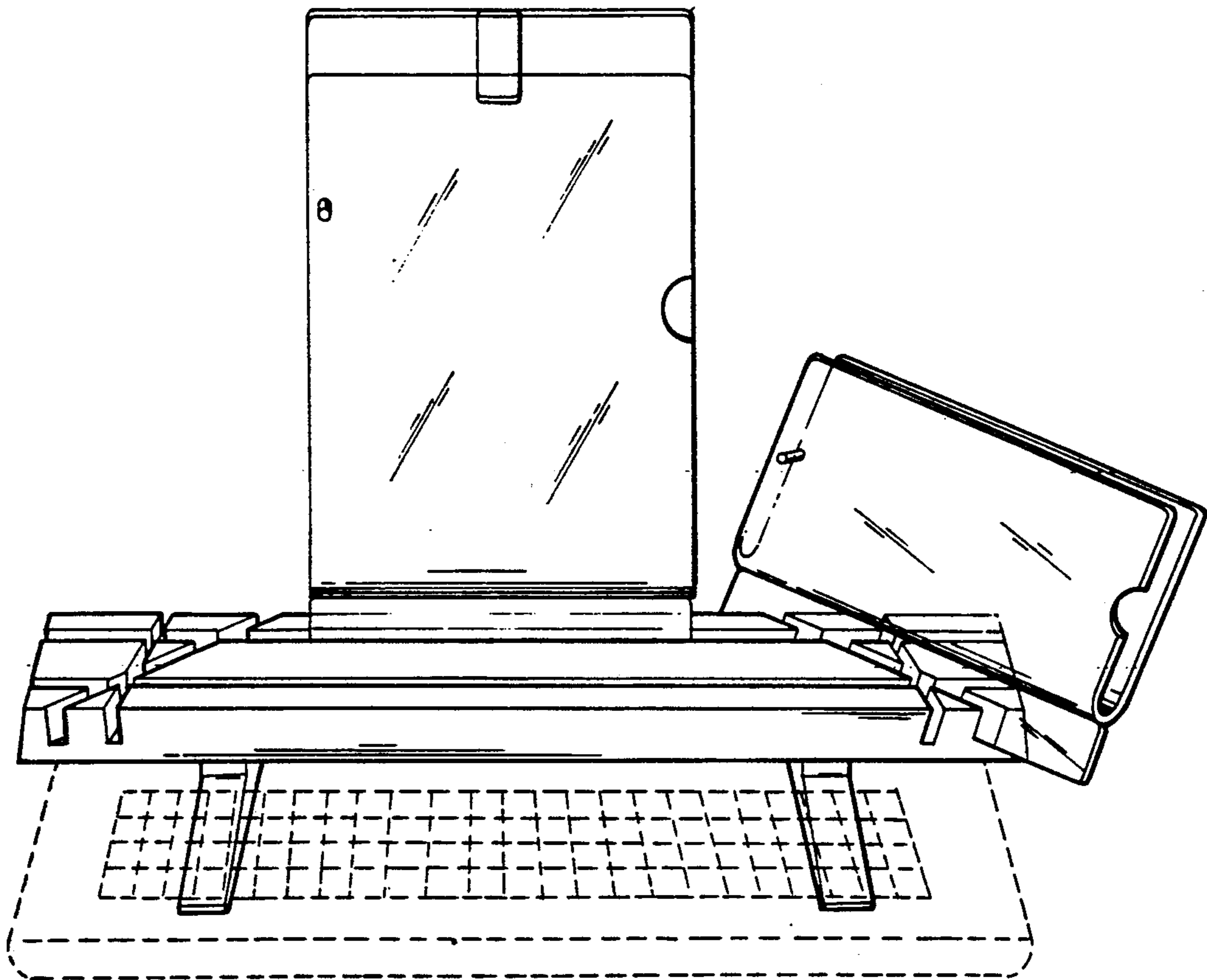


FIG - 1

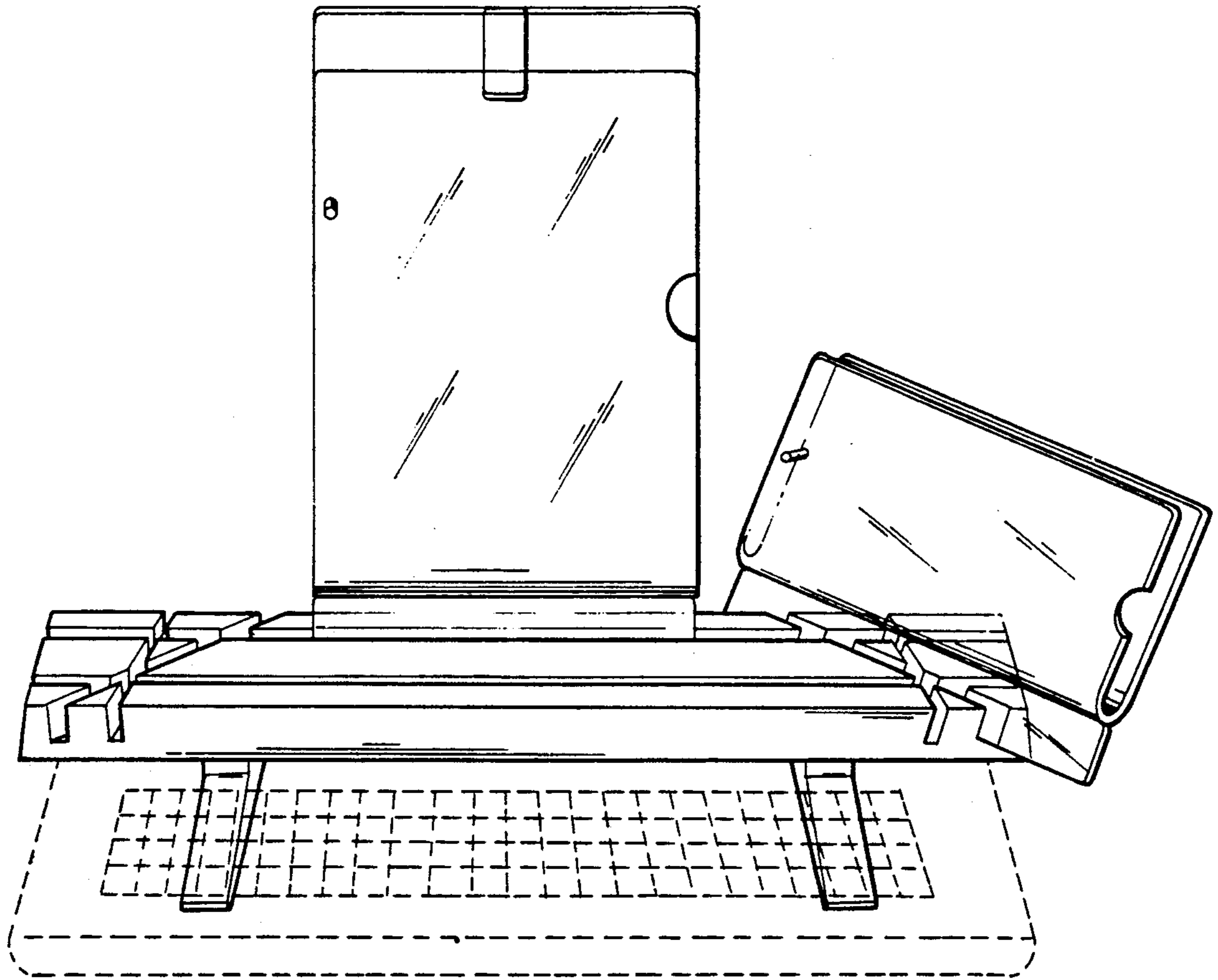
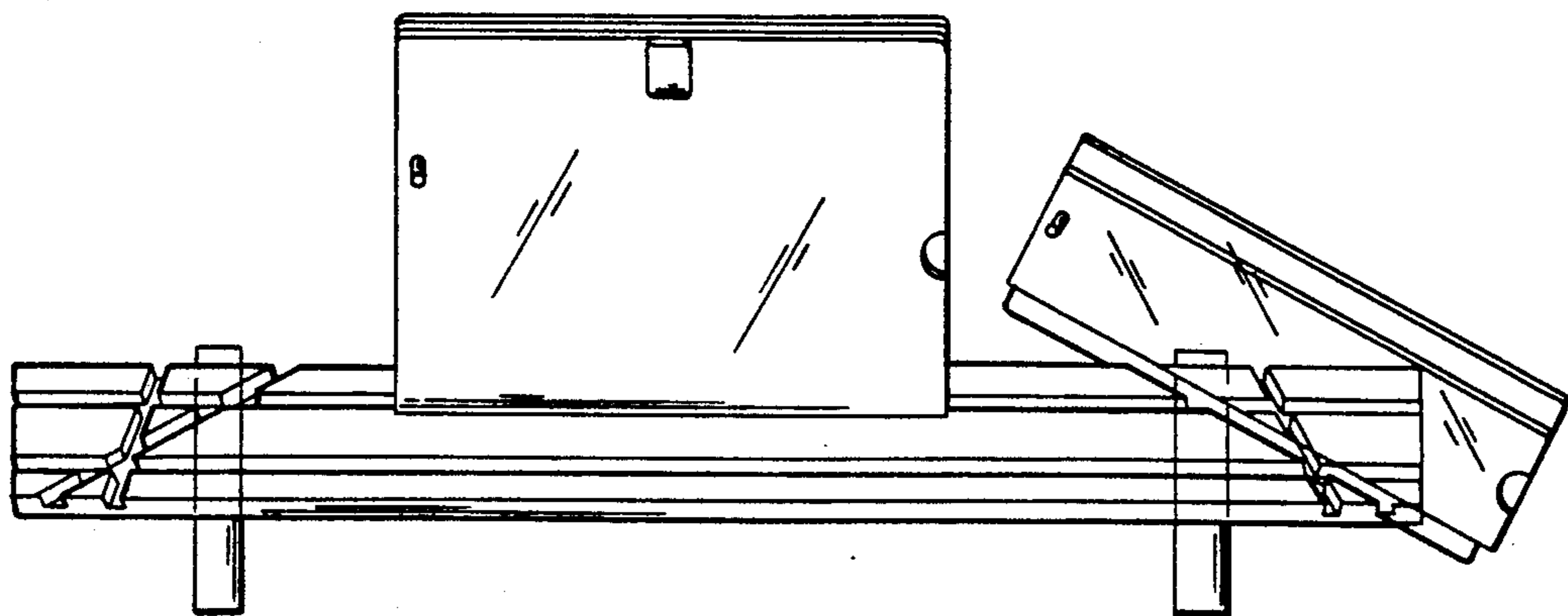


FIG - 2



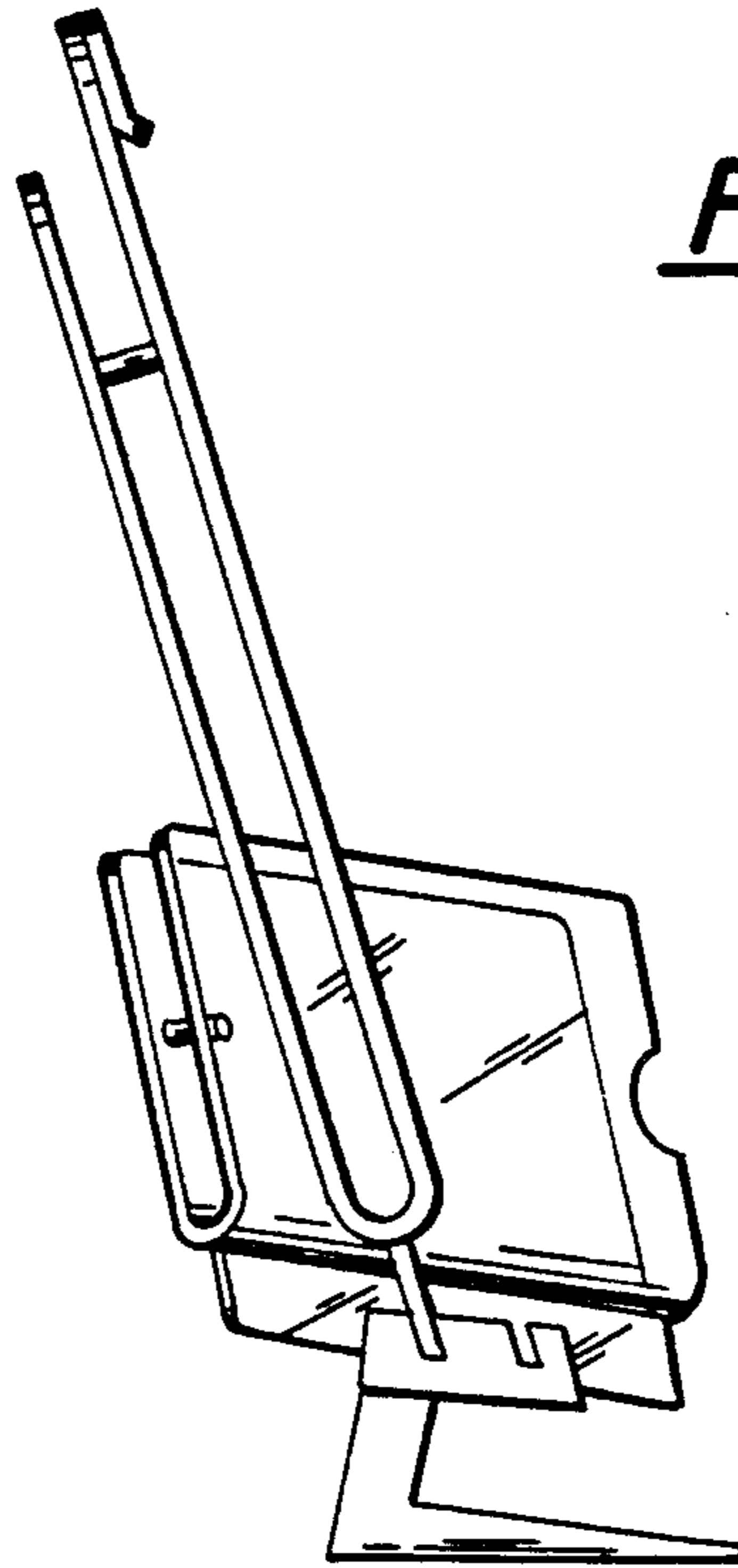


FIG - 3

FIG - 4

