

United States Patent [19]

Uchida

[11] Patent Number: **Des. 316,102**

[45] Date of Patent: **** Apr. 9, 1991**

[54] SEWING MACHINE

[75] Inventor: **Koji Uchida, Hachioji, Japan**

[73] Assignee: **Janome Sewing Machine Co., Ltd.,
Tokyo, Japan**

[**] Term: **14 Years**

[21] Appl. No.: **903,116**

[22] Filed: **Sep. 2, 1986**

[52] U.S. Cl. **D15/70**

[58] Field of Search **D15/66, 68-76;
112/63, 258-261**

[56] **References Cited**

U.S. PATENT DOCUMENTS

- D. 274,435 6/1984 Hanyu et al. D15/69
- D. 288,690 3/1987 Uchida et al. D15/70

- D. 289,052 3/1987 Kuroki D15/70
- D. 292,588 11/1987 Uchida D15/70

Primary Examiner—James R. Largen
Assistant Examiner—Doris V. Coles
Attorney, Agent, or Firm—Michael J. Striker

[57] **CLAIM**

The ornamental design for a sewing machine, as shown and described.

DESCRIPTION

FIG. 1 is a front elevational view of a sewing machine showing my new design;
FIG. 2 is a rear elevational view thereof;
FIG. 3 is a left side elevational view thereof;
FIG. 4 is a right side elevational view thereof;
FIG. 5 is a top plan view thereof;
FIG. 6 is a bottom plan view thereof; and
FIG. 7 is a perspective view thereof.

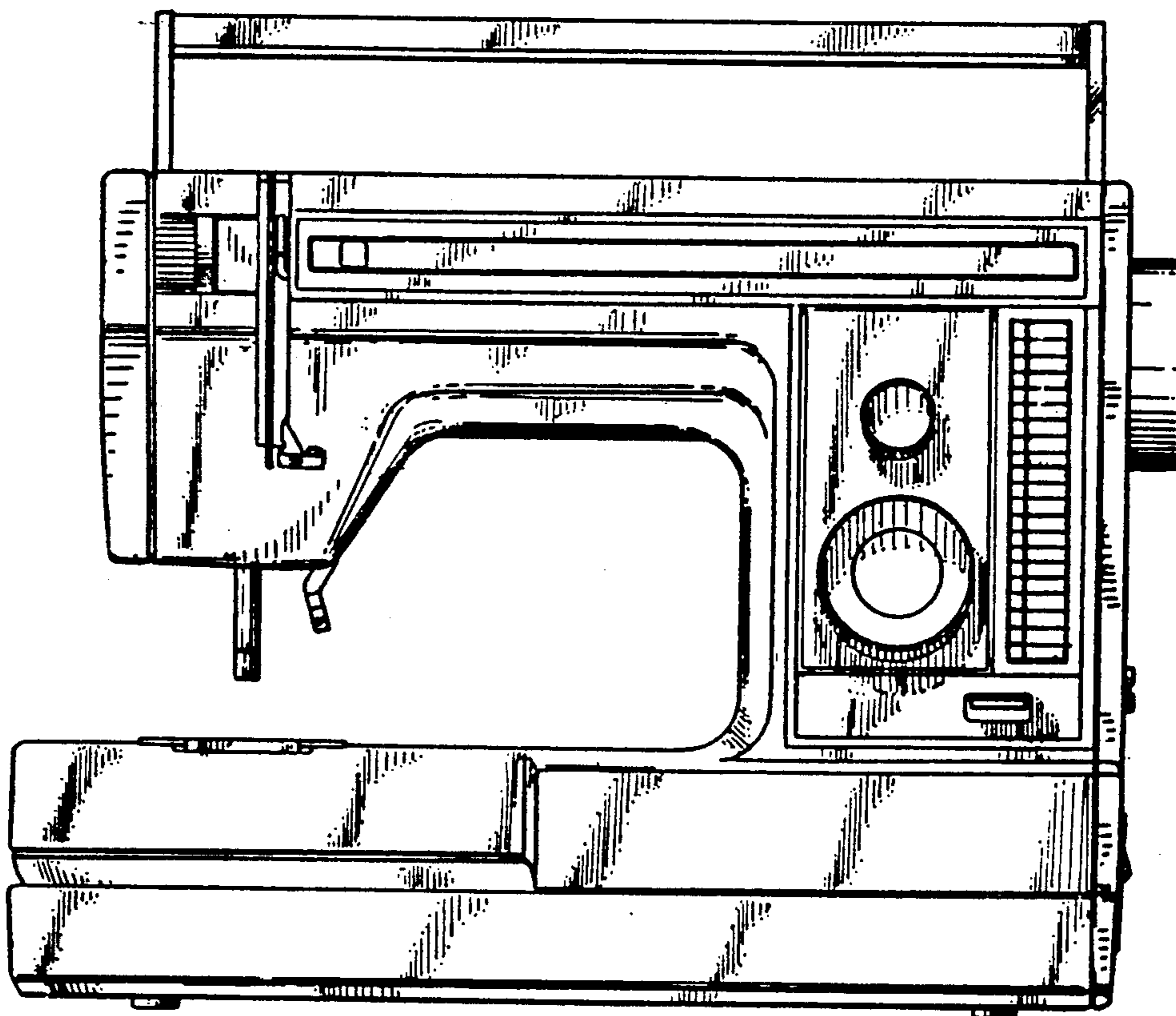


FIG. 1

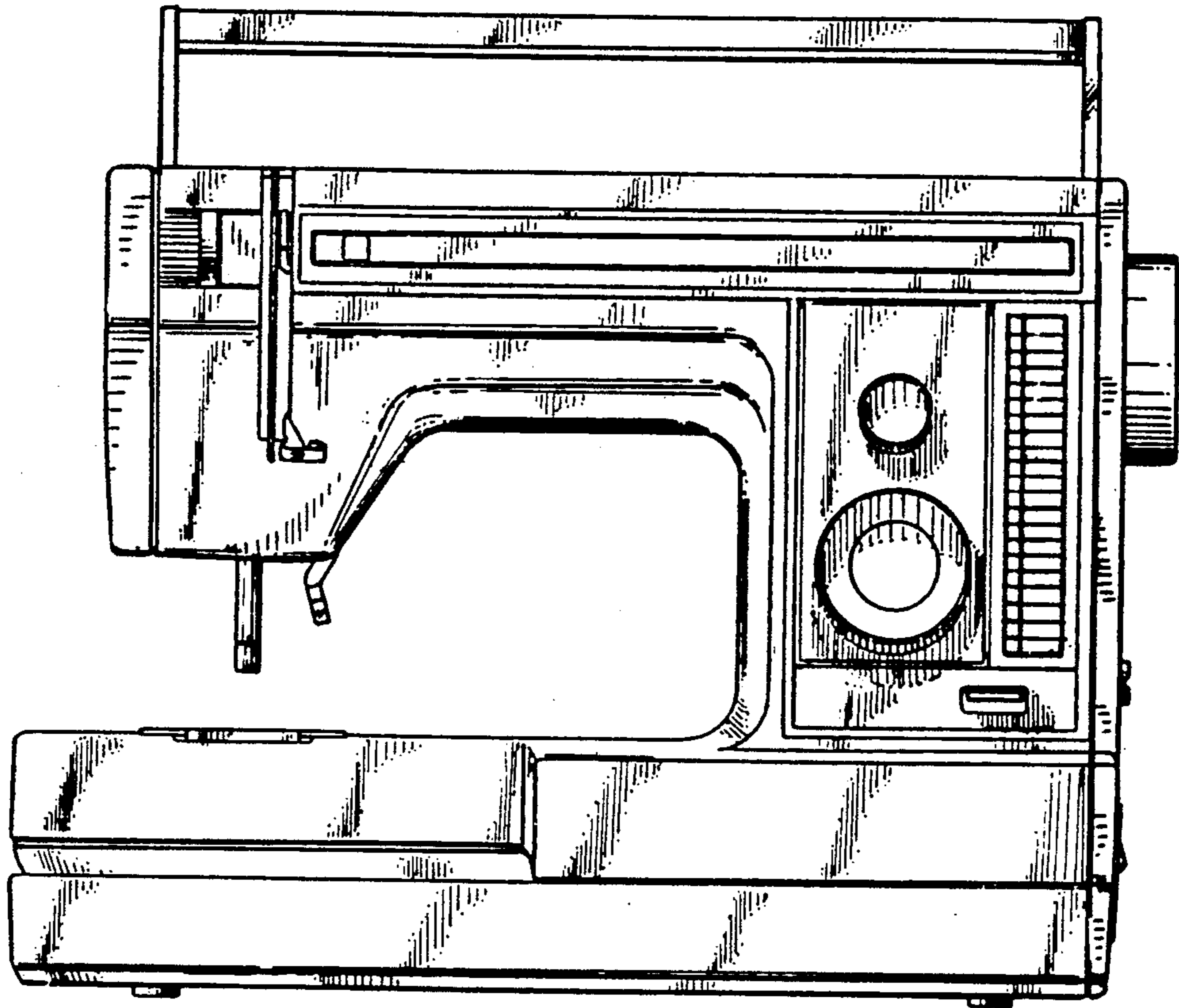
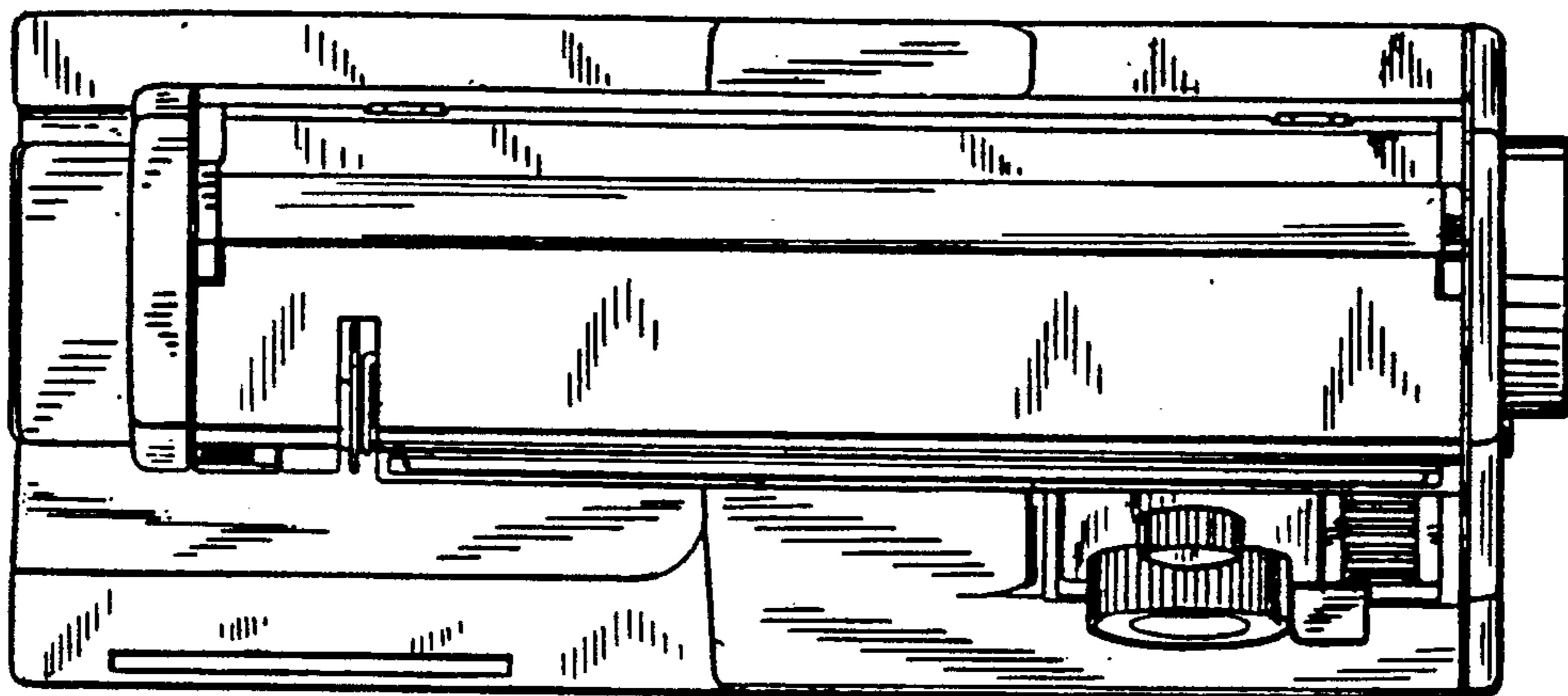
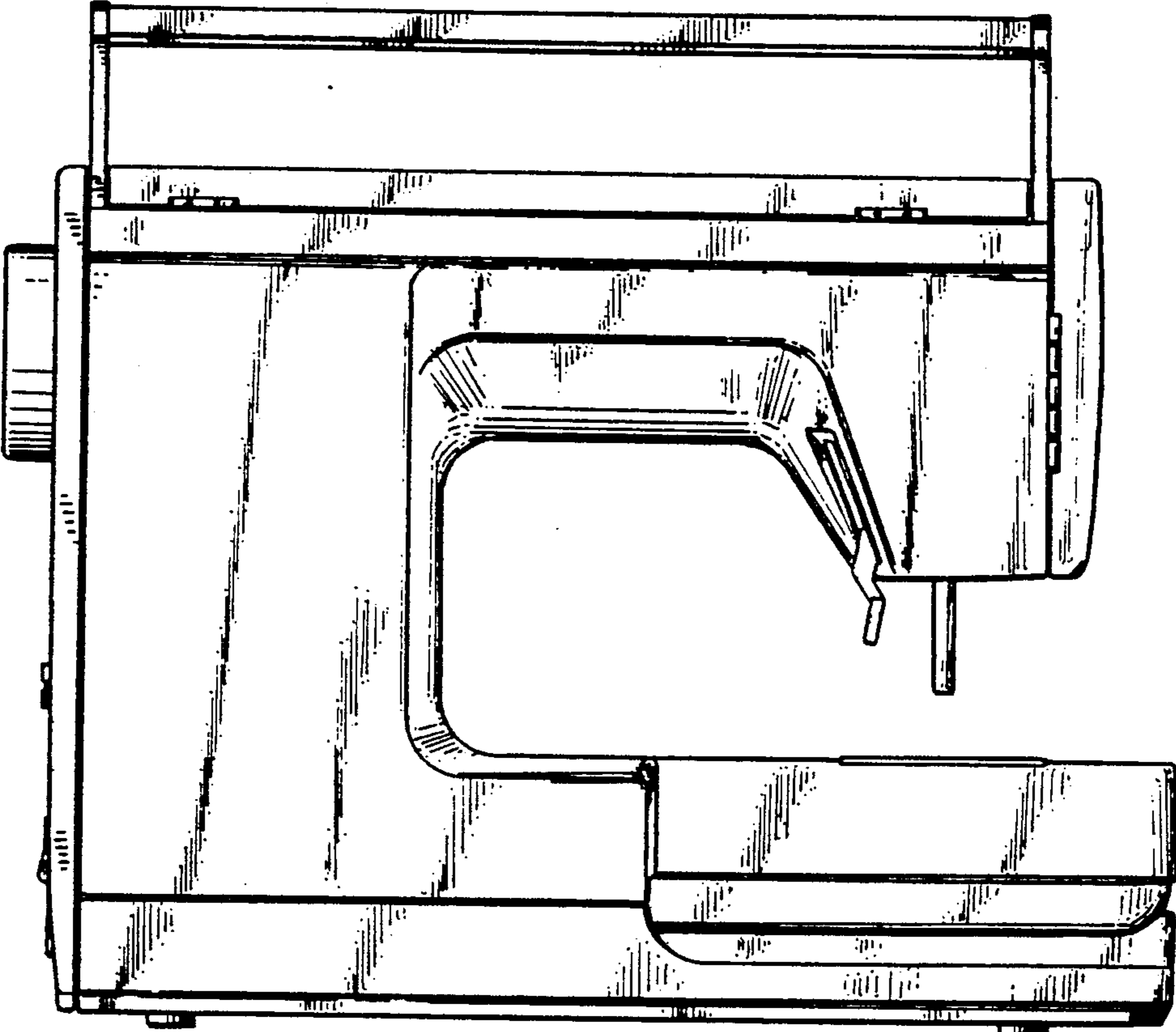


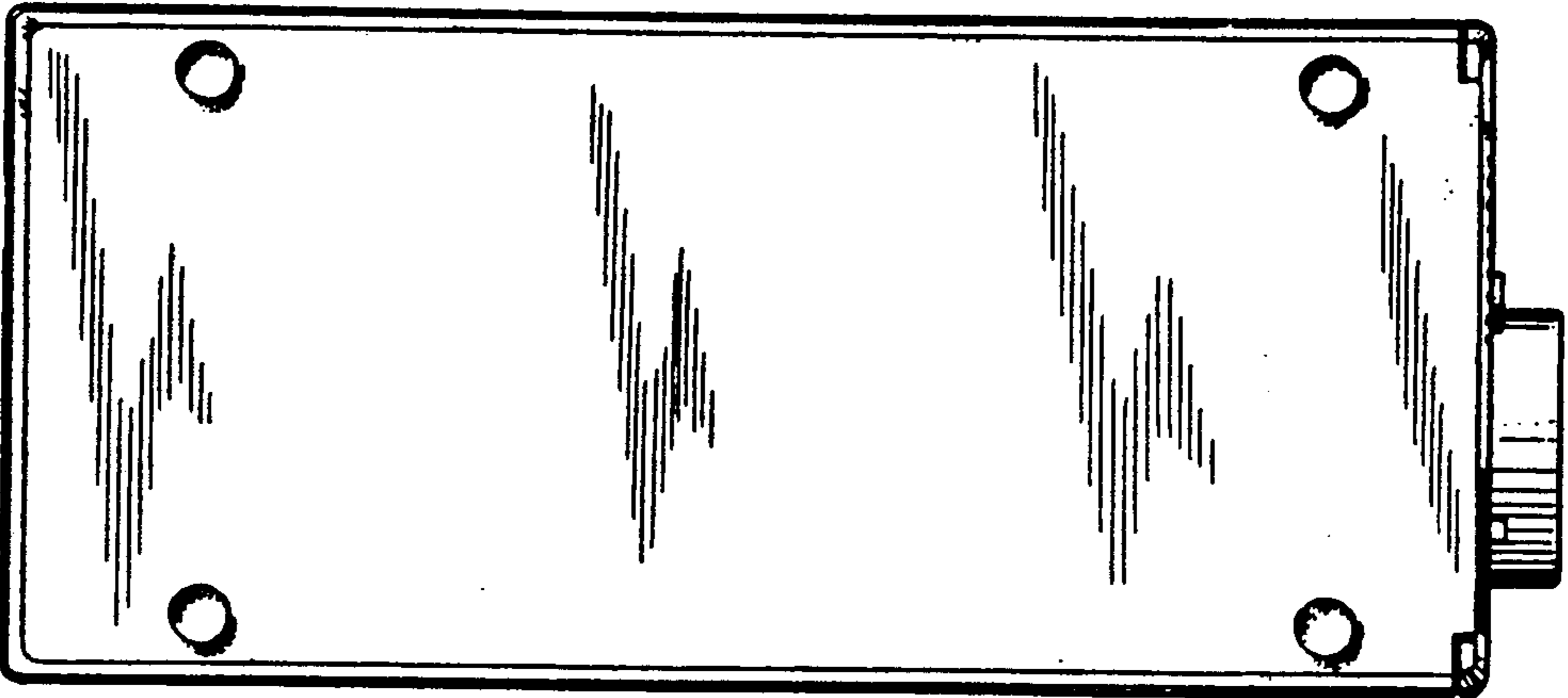
FIG. 5



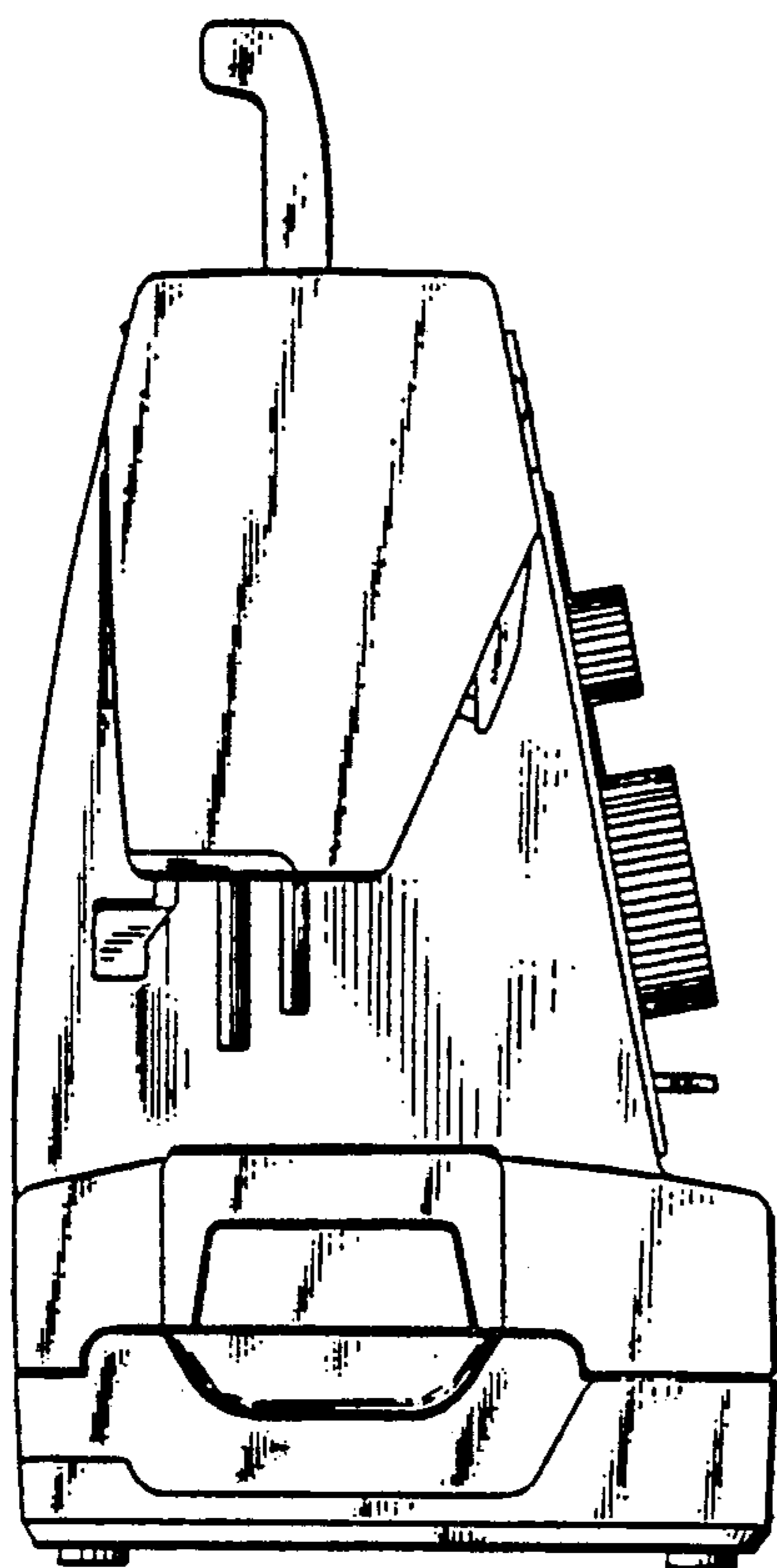
FIG_2



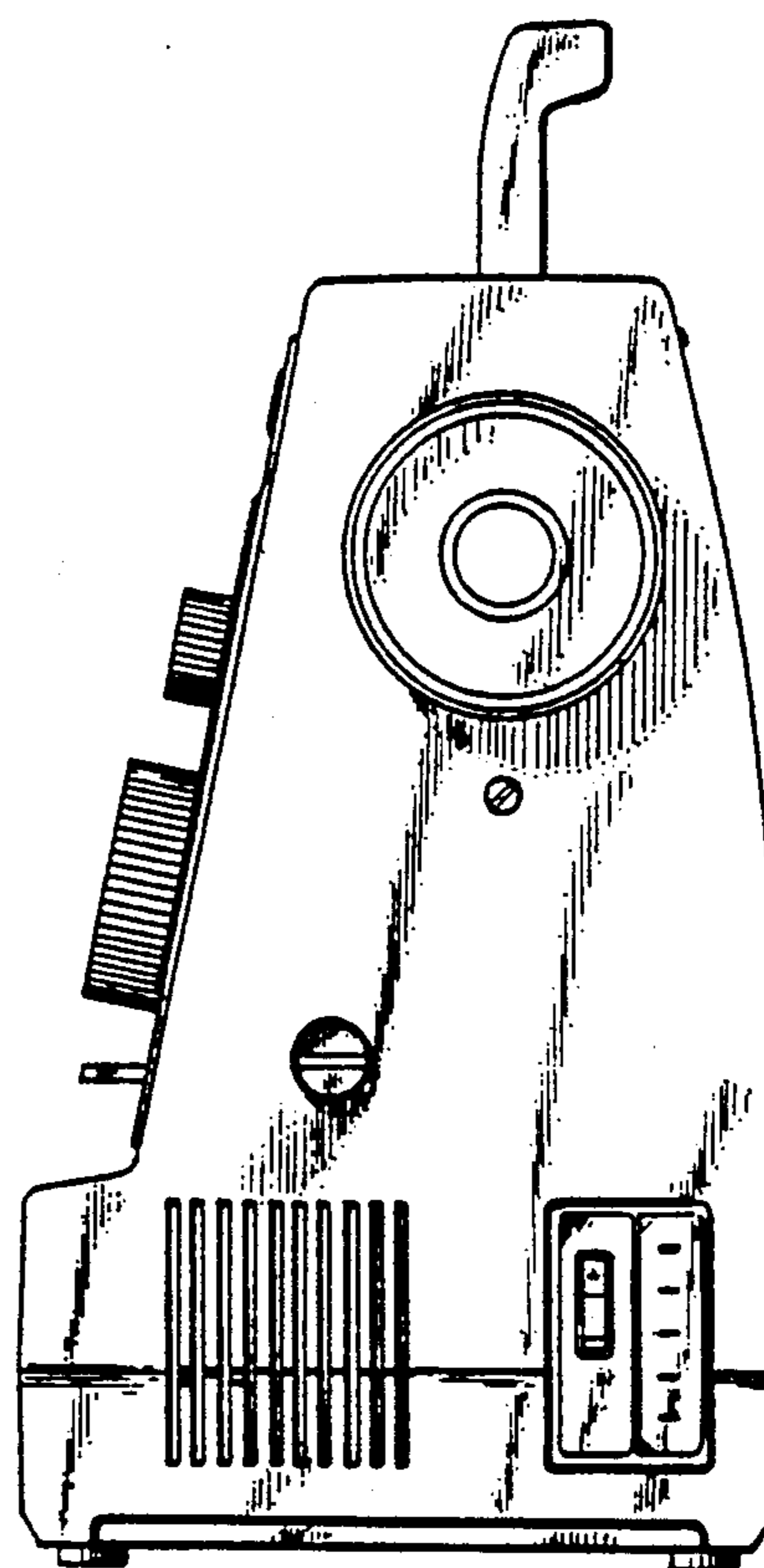
FIG_6



FIG_3



FIG_4



FIG_7

