

[54] ROTARY CUTTER HOUSING FOR MOWERS OR THE LIKE

[75] Inventors: James E. McCanse, Oregon, Ill.; Richard E. TenEyck, Wichita, Kans.

[73] Assignee: M&W Gear Company, Gibson City, Ill.

[**] Term: 14 Years

[21] Appl. No.: 246,527

[22] Filed: Sep. 19, 1988

[52] U.S. Cl. D15/27

[58] Field of Search D15/27, 28, 33; 56/6, 56/7, 503

[56] References Cited

U.S. PATENT DOCUMENTS

D. 208,364 8/1967 Coss D15/27
3,387,446 6/1968 Kasper 56/503

OTHER PUBLICATIONS

B.M.B. Rotary Mowers (2/14/67), p. 2, Hay Savor 7, middle right photo.

B.M.B. Rotary Mowers (8/27/66), p. 1, upper left photo.

Operators Manual, John Deere 1508 rotary cutter (no date).

Bush Hog Rotary Cutters brochure (no date).

Bush Hog Flex-Wing Rotary Cutter Brochure (no date).

Woods Operator's Manual, Model 215-1 and 215Q-1 rotary cutter (no date).

Woods Collection of Rotary Mowers Brochures (no date).

Southeast Manufacturing Co. Brochure (no date).

Primary Examiner—B. J. Bullock

Assistant Examiner—Sandra Morris

Attorney, Agent, or Firm—Allegretti & Witcoff, Ltd.

[57] CLAIM

The ornamental design for a rotary cutter housing for mowers or the like, as shown.

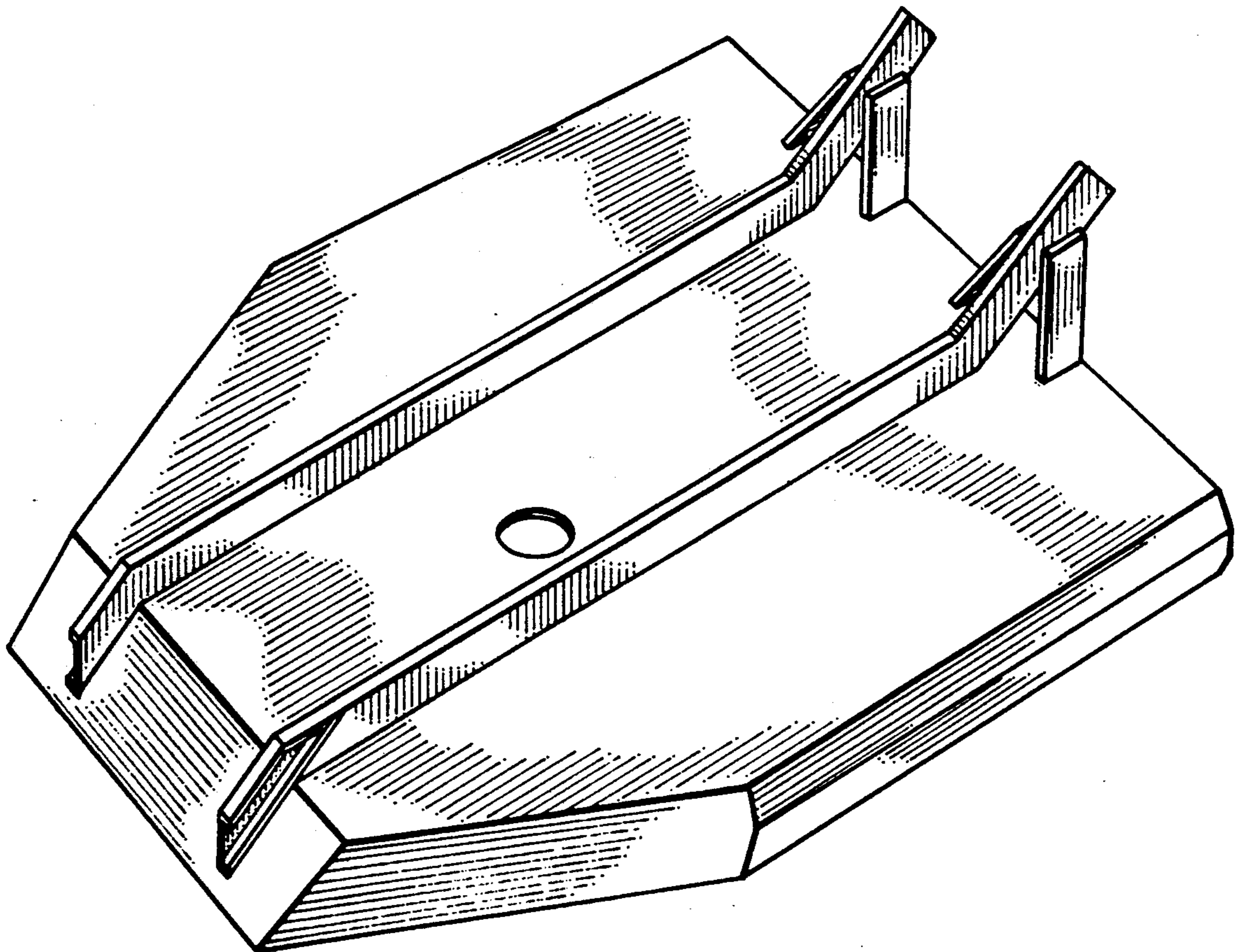
DESCRIPTION

FIG. 1 is a perspective view of the rotary cutter housing for mowers or the like, showing our new design;

FIG. 2 is a top plan view thereof;

FIG. 3 is a side elevational view thereof; and

FIG. 4 is a front elevational view thereof, the rear being unornamented.



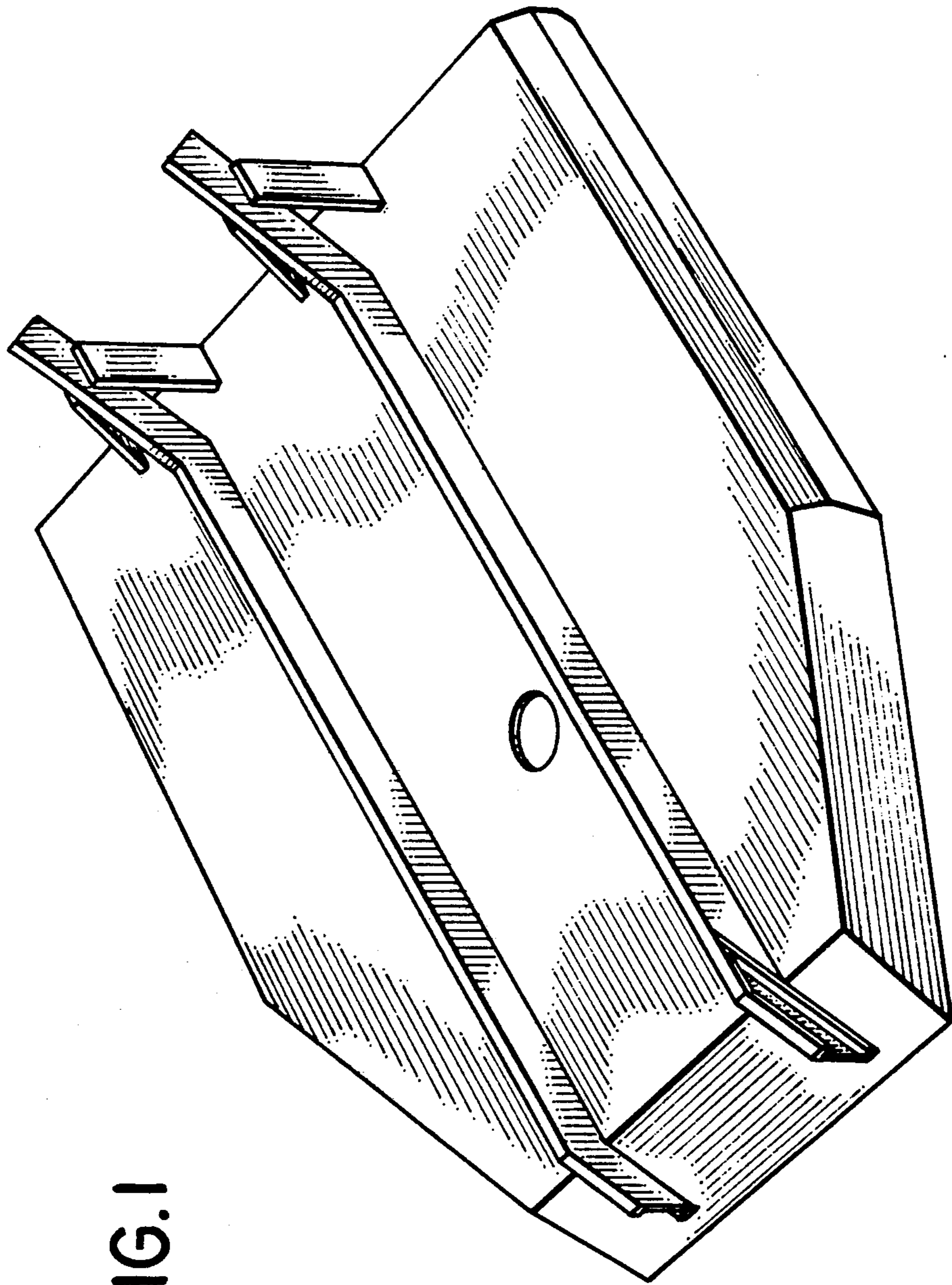


FIG. 1

FIG.2

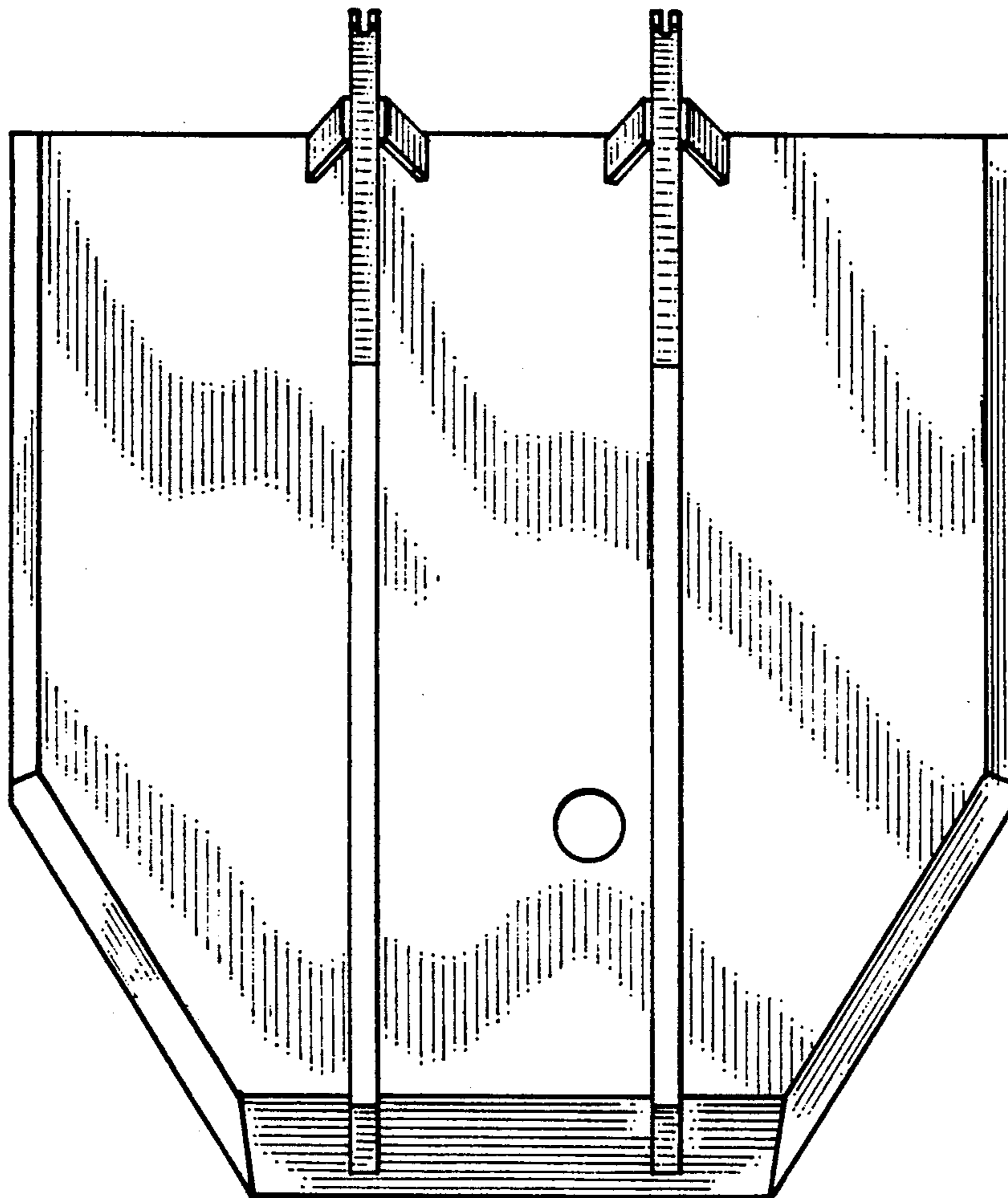


FIG.3

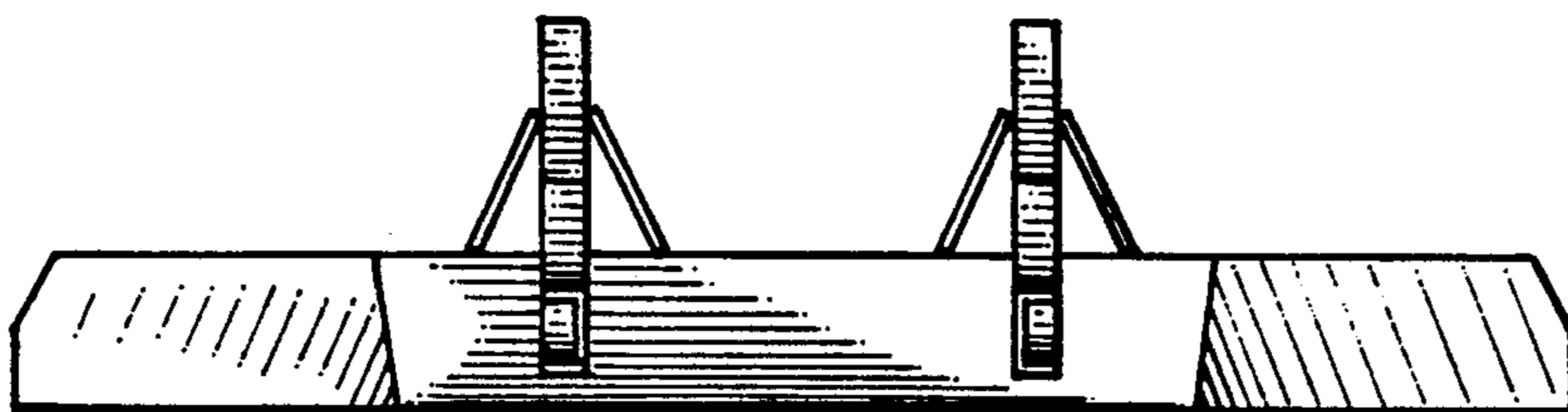
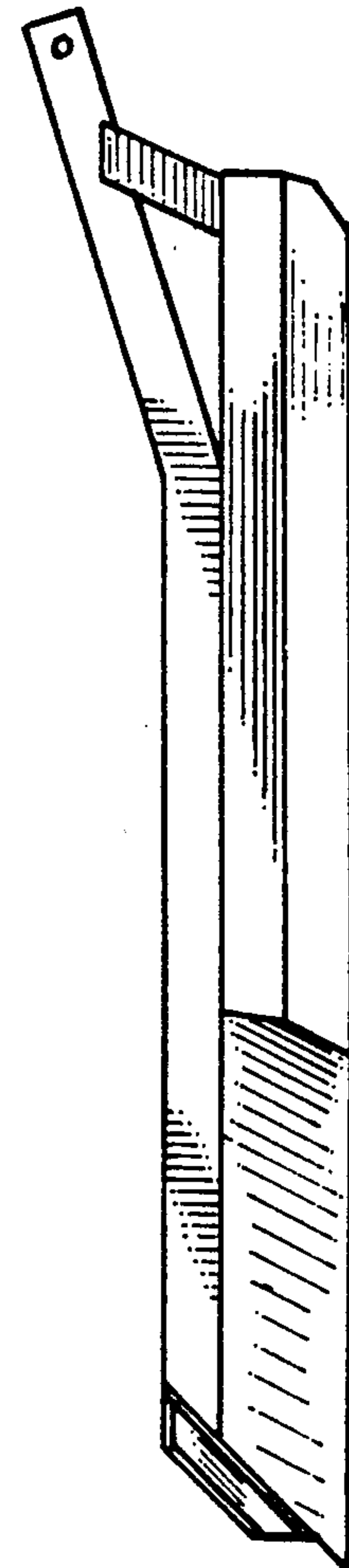


FIG.4