

[54] POWER-DRIVEN STIRRER FOR DRYWALL COMPOUND, PAINT, OR THE LIKE

Assistant Examiner—Sandra Morris
Attorney, Agent, or Firm—Leonard Bloom

[76] Inventor: Francis J. Kief, 1954 Church Rd.,
Baltimore, Md. 21222

[57] CLAIM

The ornamental design for a power-driven stirrer for drywall compound, paint, or the like, as shown and described.

[**] Term: 14 Years

[21] Appl. No.: 240,228

[22] Filed: Sep. 2, 1988

[52] U.S. Cl. D15/19; D15/28;
D7/376

[58] Field of Search D15/28, 19; D7/376;
366/47, 65, 245, 343, DIG. 605

DESCRIPTION

FIG. 1 is a front elevational view of a power-driven stirrer for drywall compound, paint, or the like, showing my new design, the broken lines showing a mixer and a container are for illustrative purposes only and form no part of the claimed design;

[56] References Cited

U.S. PATENT DOCUMENTS

3,630,495	12/1971	Carroll	366/343
4,054,272	10/1977	Cooke	366/343
4,202,256	5/1980	Brooks	366/343
4,779,990	10/1988	Hjort et al.	366/343

FIG. 2 is an enlarged fragmentary perspective view thereof;

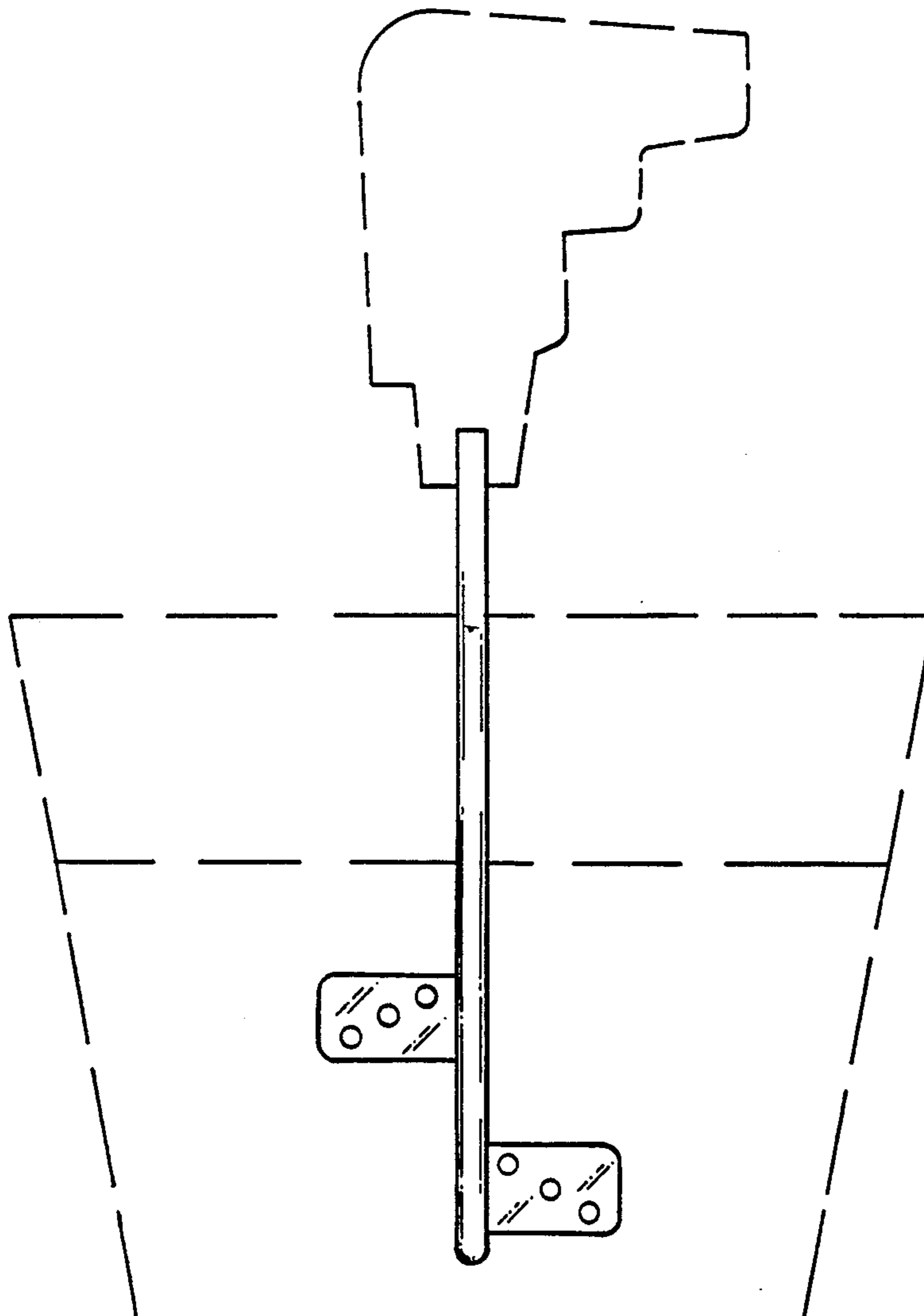
FIG. 3 is an enlarged fragmentary front view thereof;

FIG. 4 is an enlarged fragmentary right side view thereof;

FIG. 5 is an enlarged fragmentary left side view thereof;

FIG. 6 is an enlarged bottom plan view thereof.

Primary Examiner—B. J. Bullock



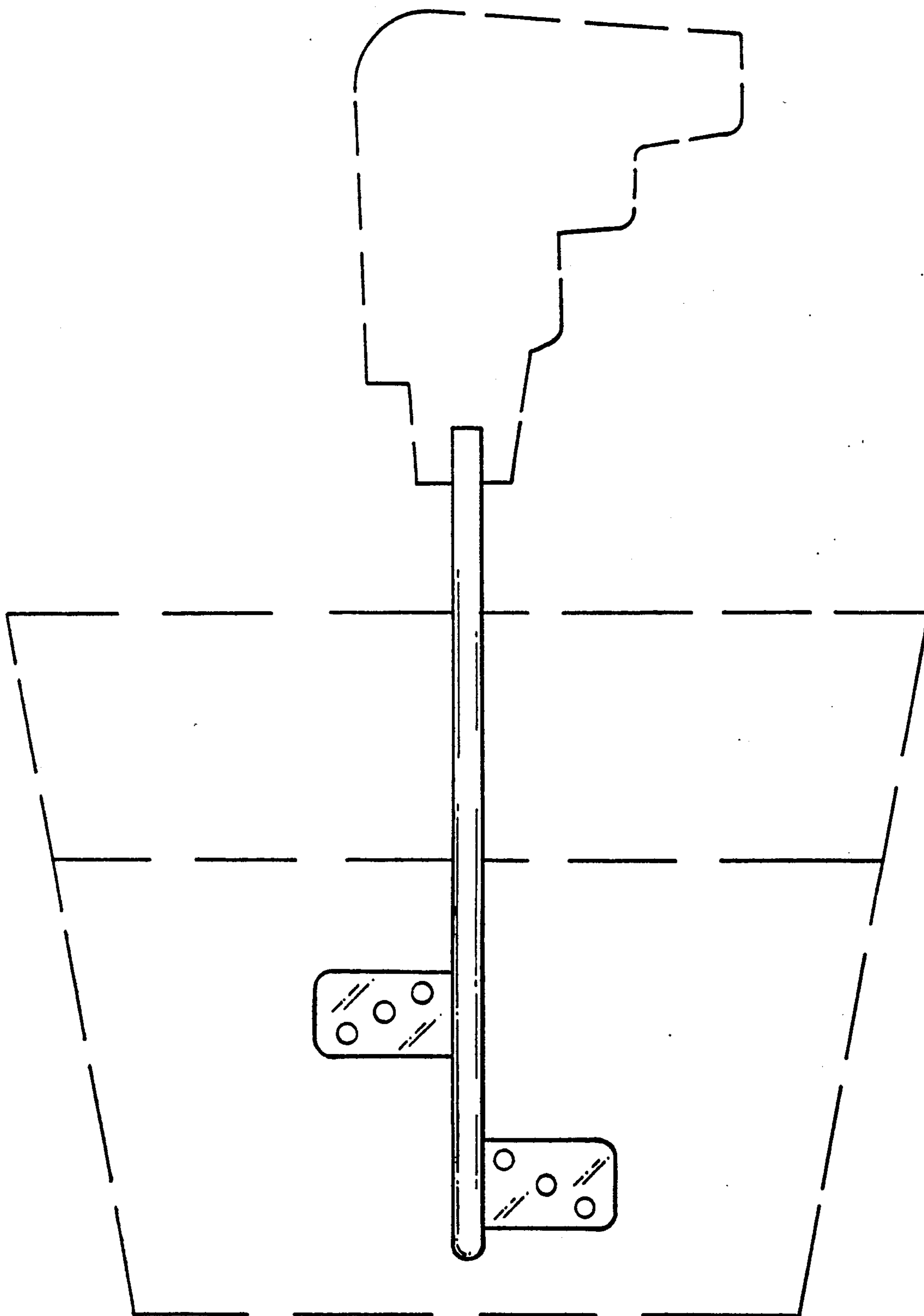


FIG. 1

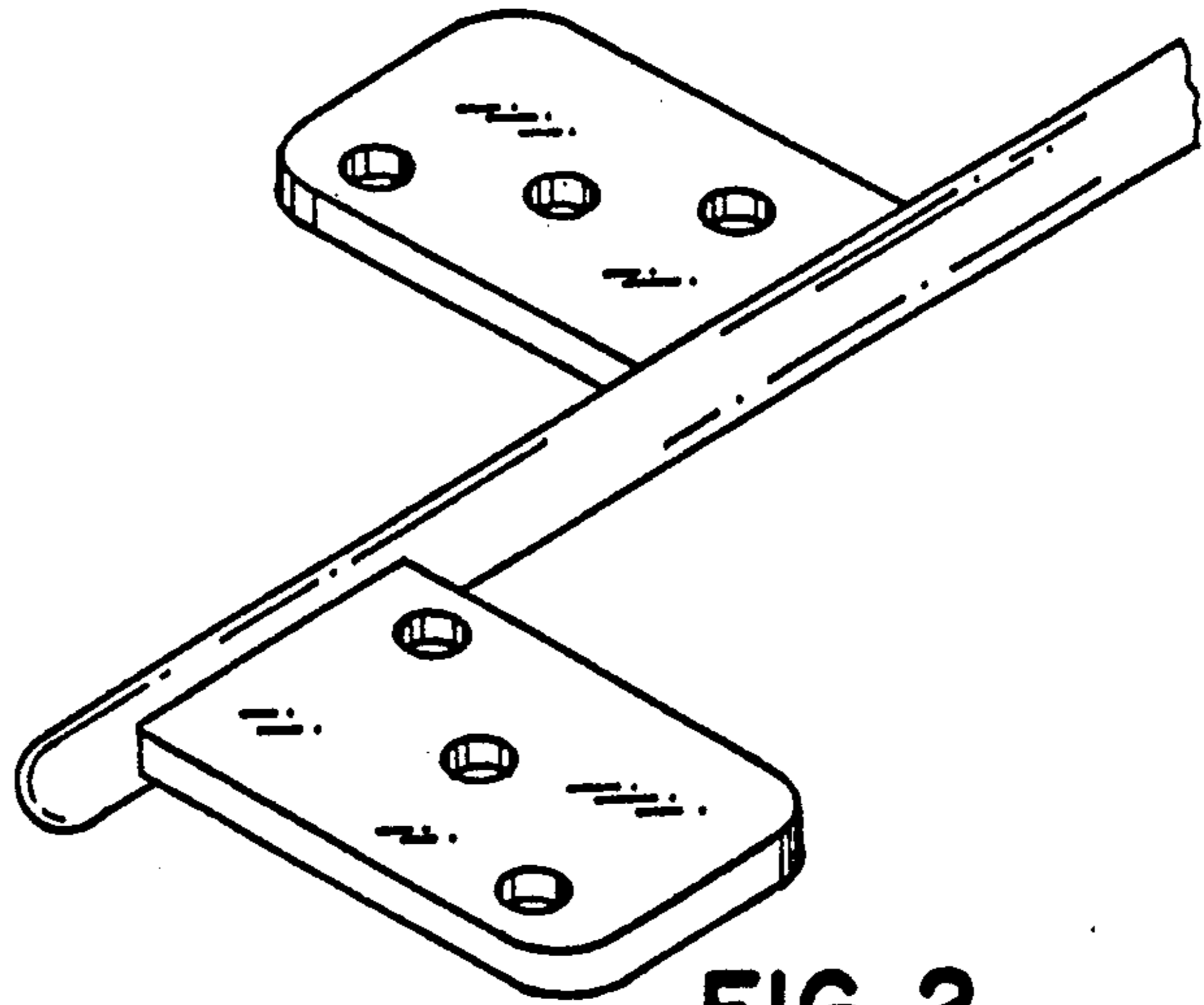


FIG. 2



FIG. 6

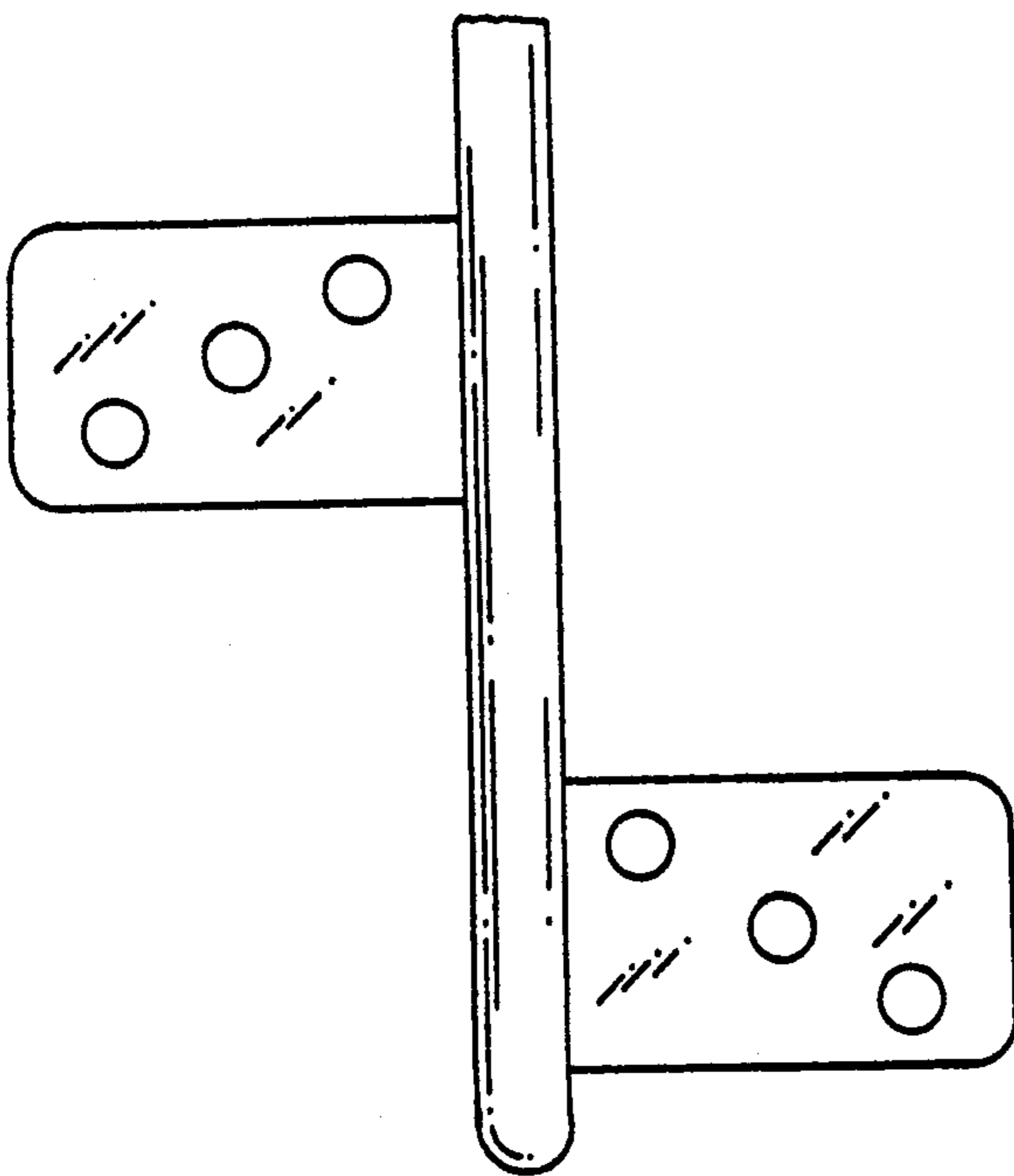


FIG. 3



FIG. 4

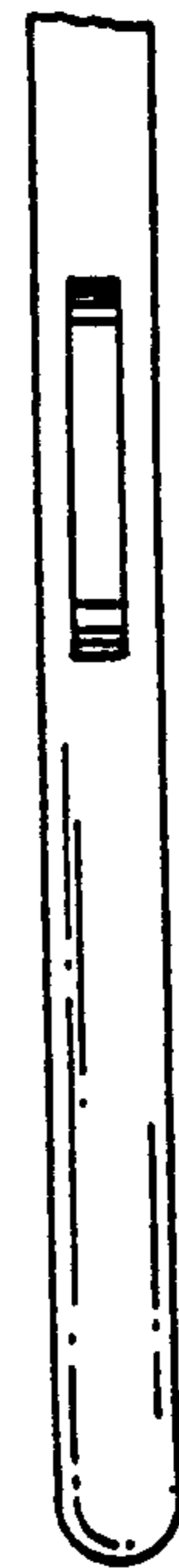


FIG. 5