

[54] SUBMERSIBLE PUMP

[75] Inventor: Niels H. Hartz, Huskvarna, Sweden

[73] Assignee: Aktiebolaget Electrolux, Stockholm, Sweden

[**] Term: 14 Years

[21] Appl. No.: 360,209

[22] Filed: Jun. 1, 1989

[30] Foreign Application Priority Data

Dec. 15, 1988 [SE] Sweden 88-2900

[52] U.S. Cl. D15/7

[58] Field of Search D15/5, 7-9.3; 417/398-404, 234, 424.1-424.2

[56] References Cited

U.S. PATENT DOCUMENTS

- D. 144,127 3/1946 Morgan D15/5
- D. 165,728 1/1952 Zimmer D15/7
- D. 220,552 4/1971 Davis 15/7
- D. 273,586 4/1984 Hodgson D15/5
- D. 273,587 4/1984 Hodgson 15/5

Primary Examiner—Louis S. Zarfes

Assistant Examiner—R. T. Seifert

Attorney, Agent, or Firm—Pearne, Gordon, McCoy & Granger

[57] CLAIM

The ornamental design for a submersible pump, as shown and described.

DESCRIPTION

FIG. 1 is a perspective view of a submersible pump showing my new design;

FIG. 2 is a perspective view of the end opposite that shown in FIG. 1;

FIG. 3 is a side elevational view;

FIG. 4 is an end elevational view;

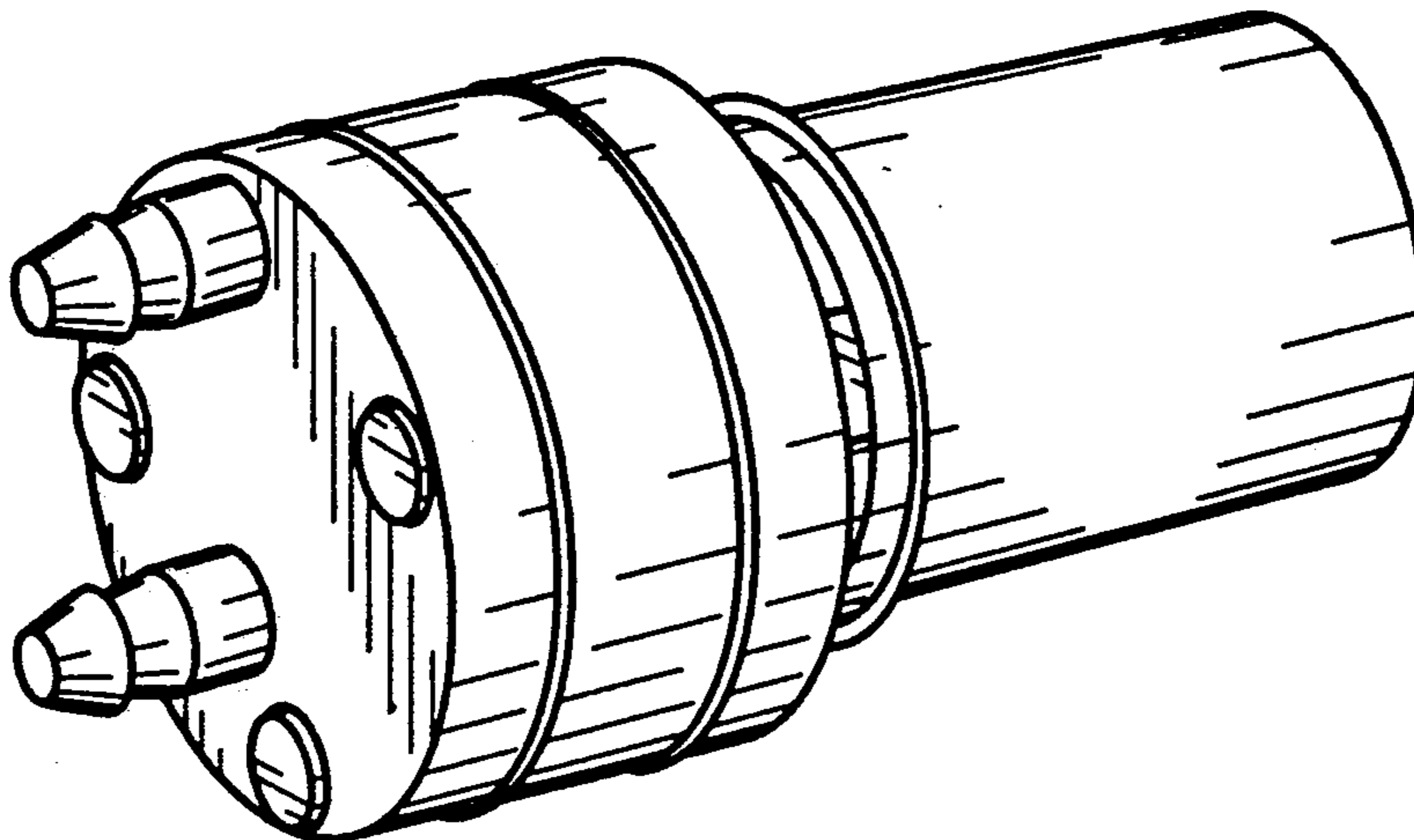
FIG. 5 is an end elevational view of the side opposite that shown in FIG. 4;

FIG. 6 is a side elevational view of a submersible pump, showing a second embodiment of my new design;

FIG. 7 is an end elevational view thereof;

FIG. 8 is an end elevational view thereof, of the side opposite that shown in FIG. 7; and

FIG. 9 is a perspective view thereof.



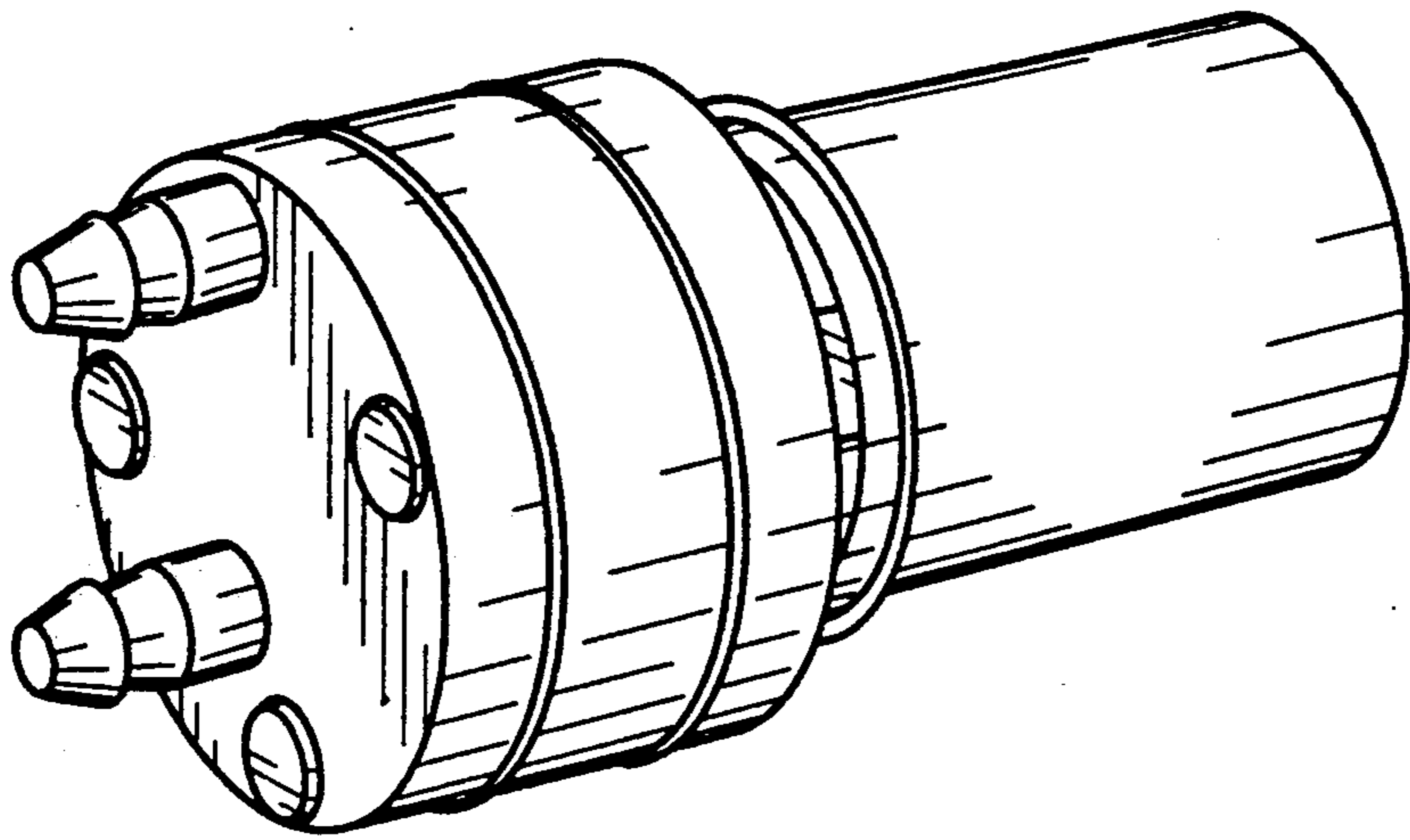


FIG. 1

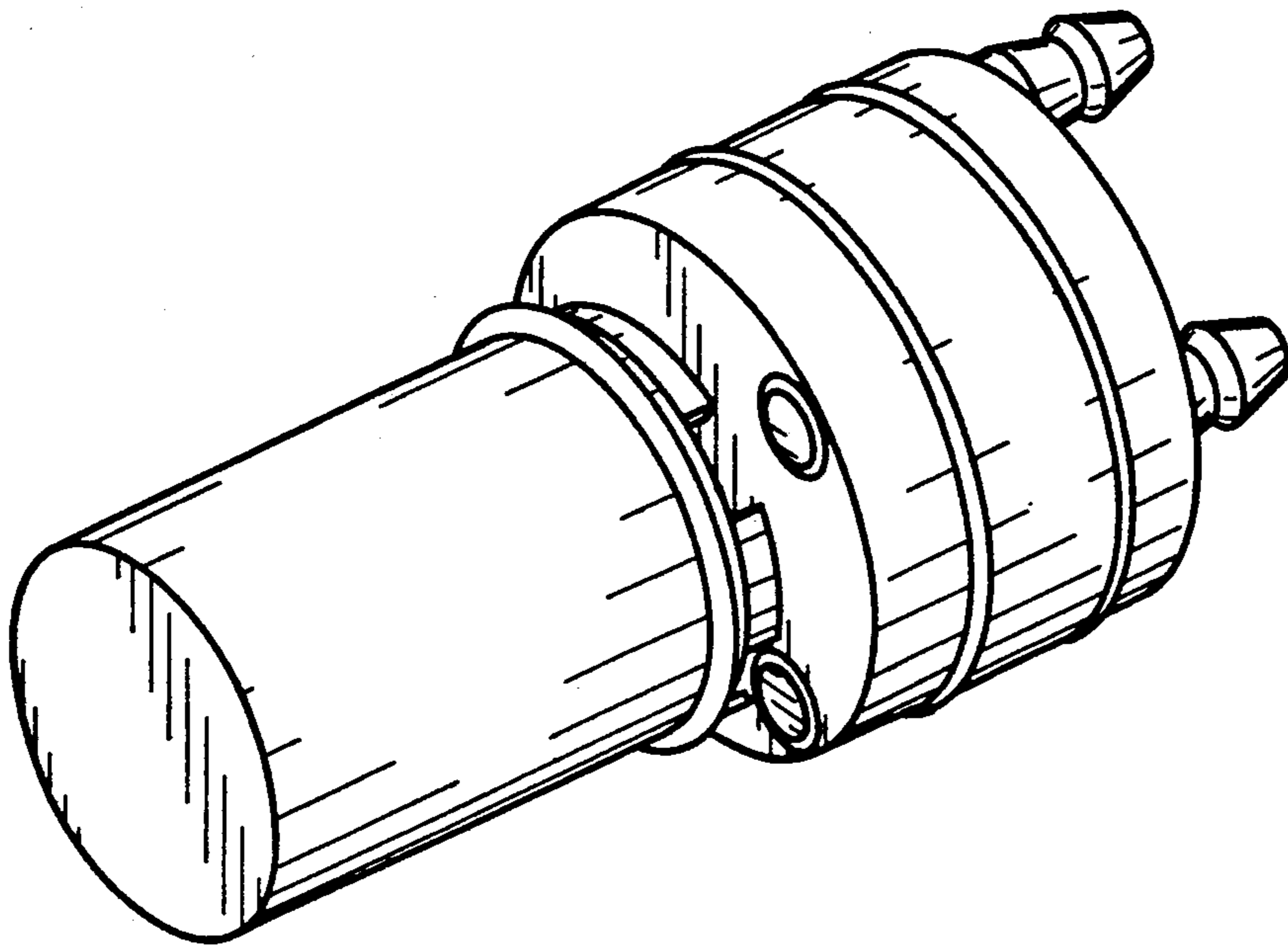


FIG. 2

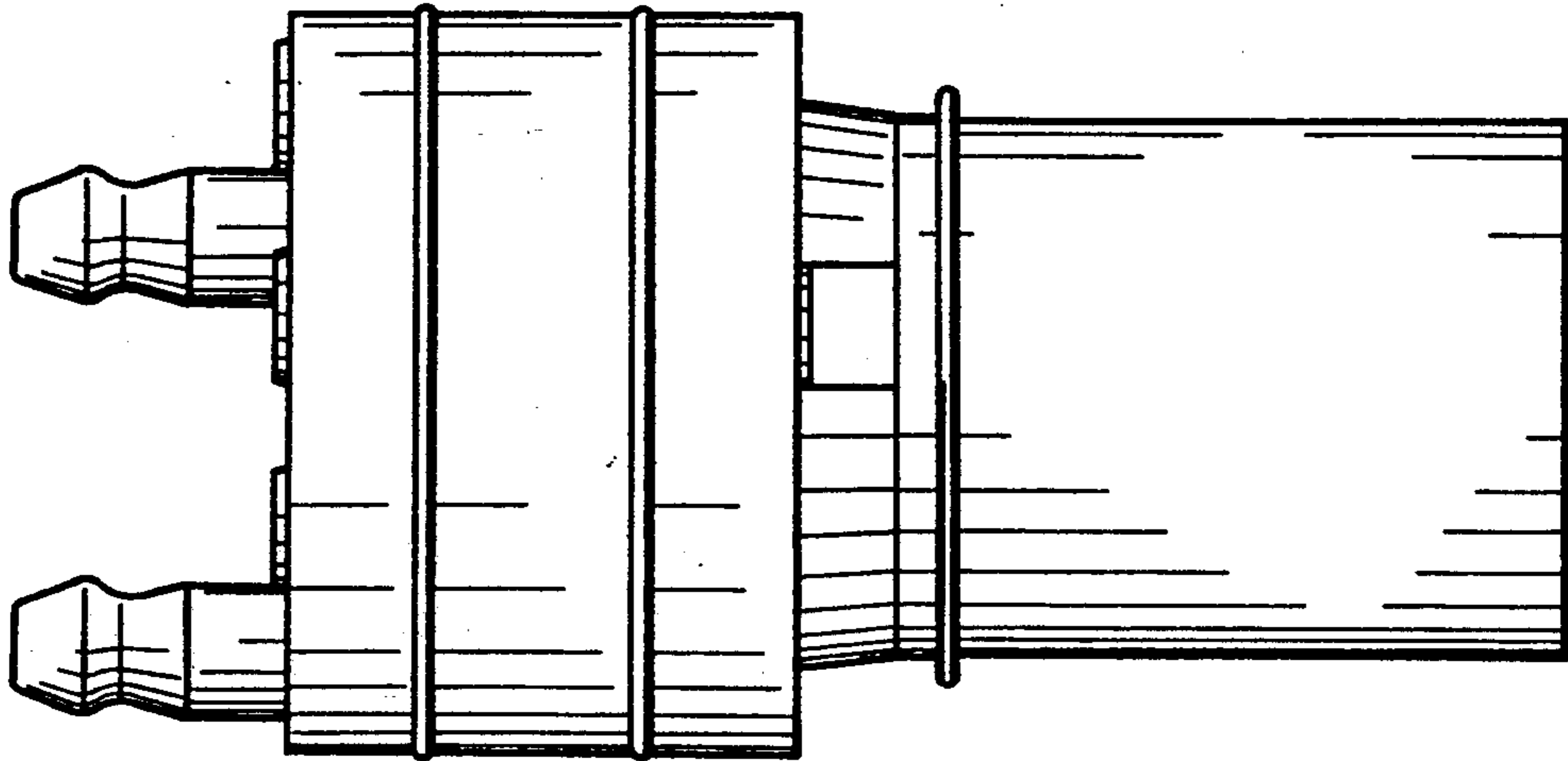


FIG. 3

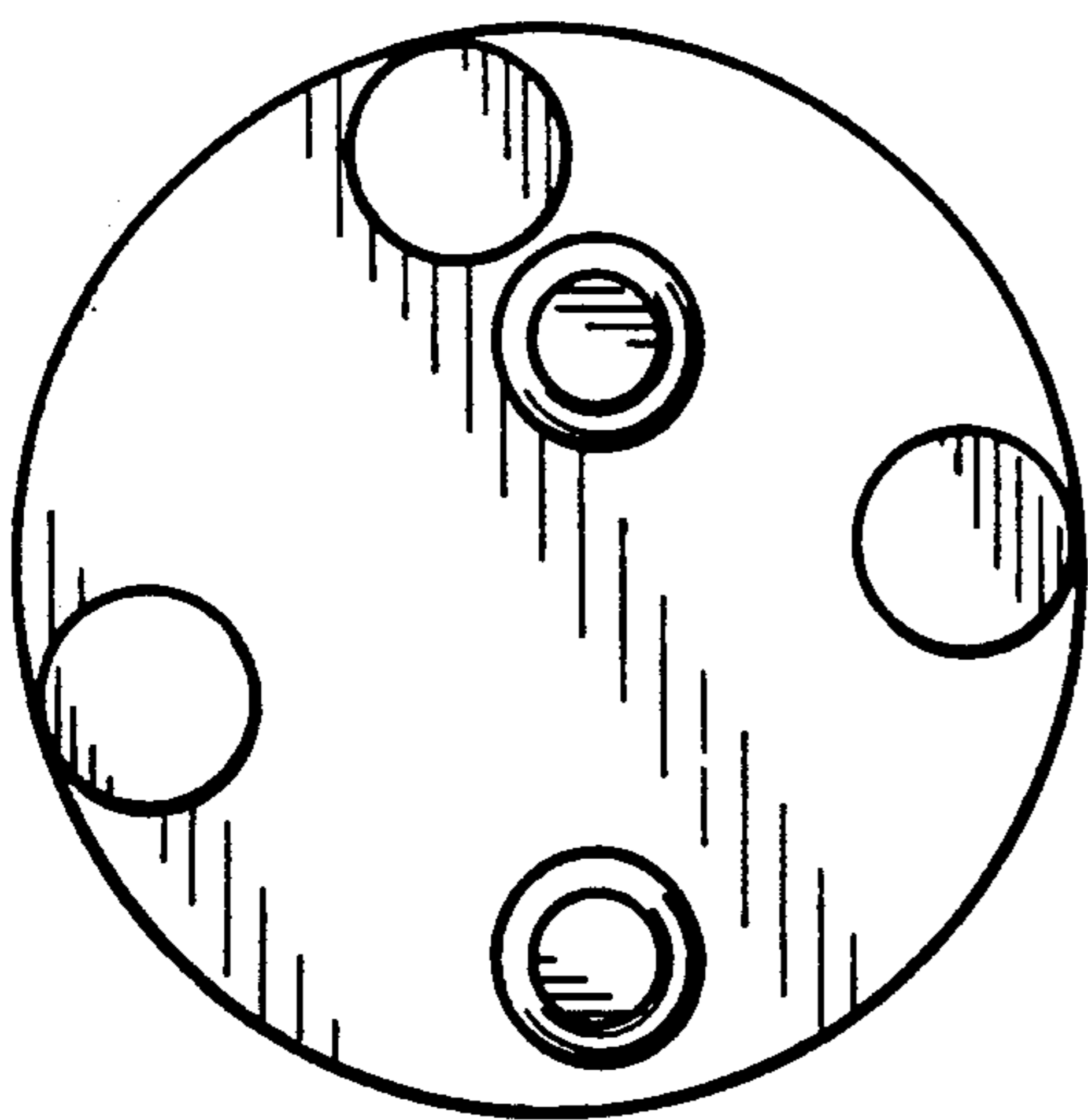


FIG. 5

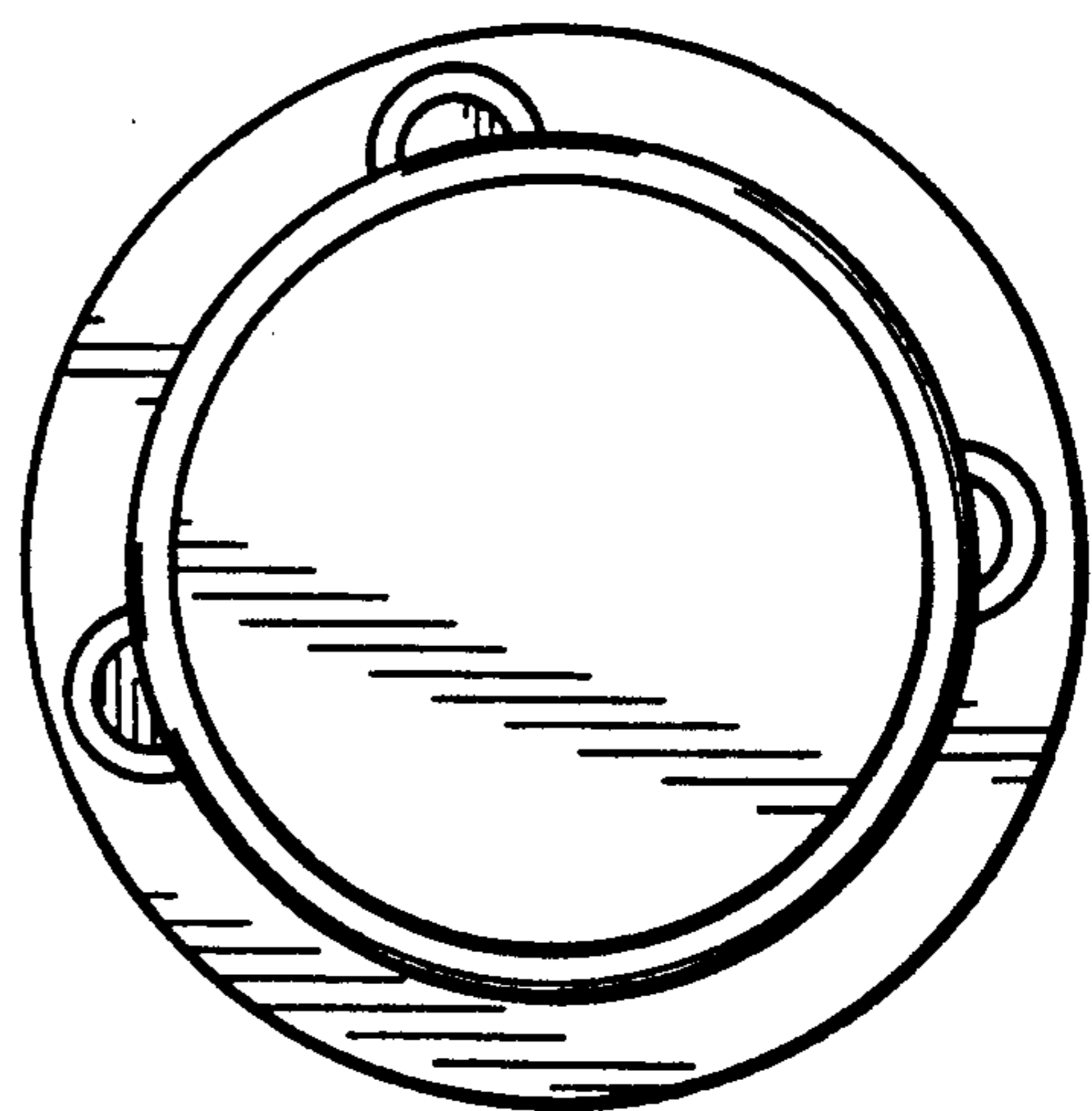


FIG. 4

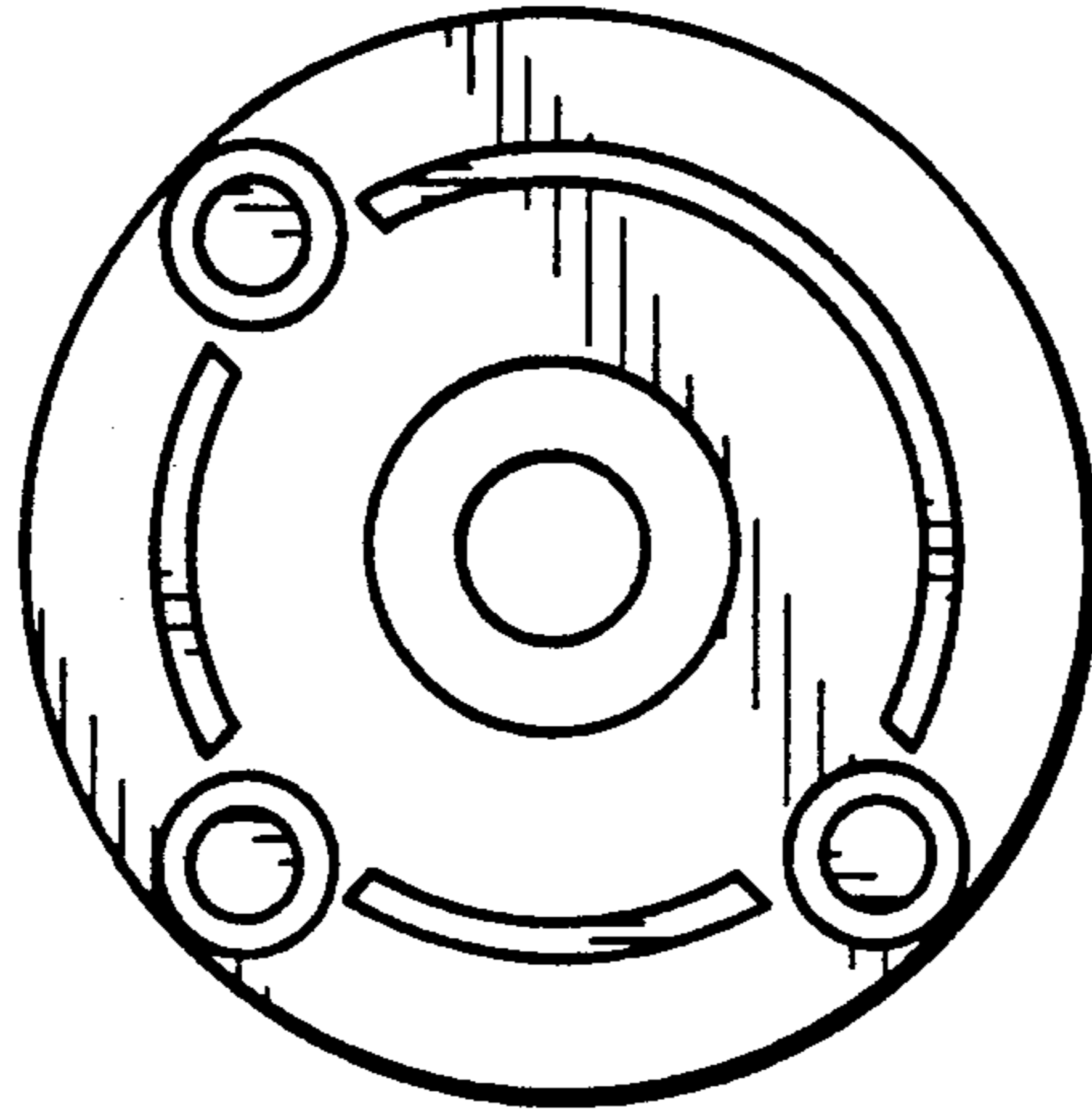


FIG. 8

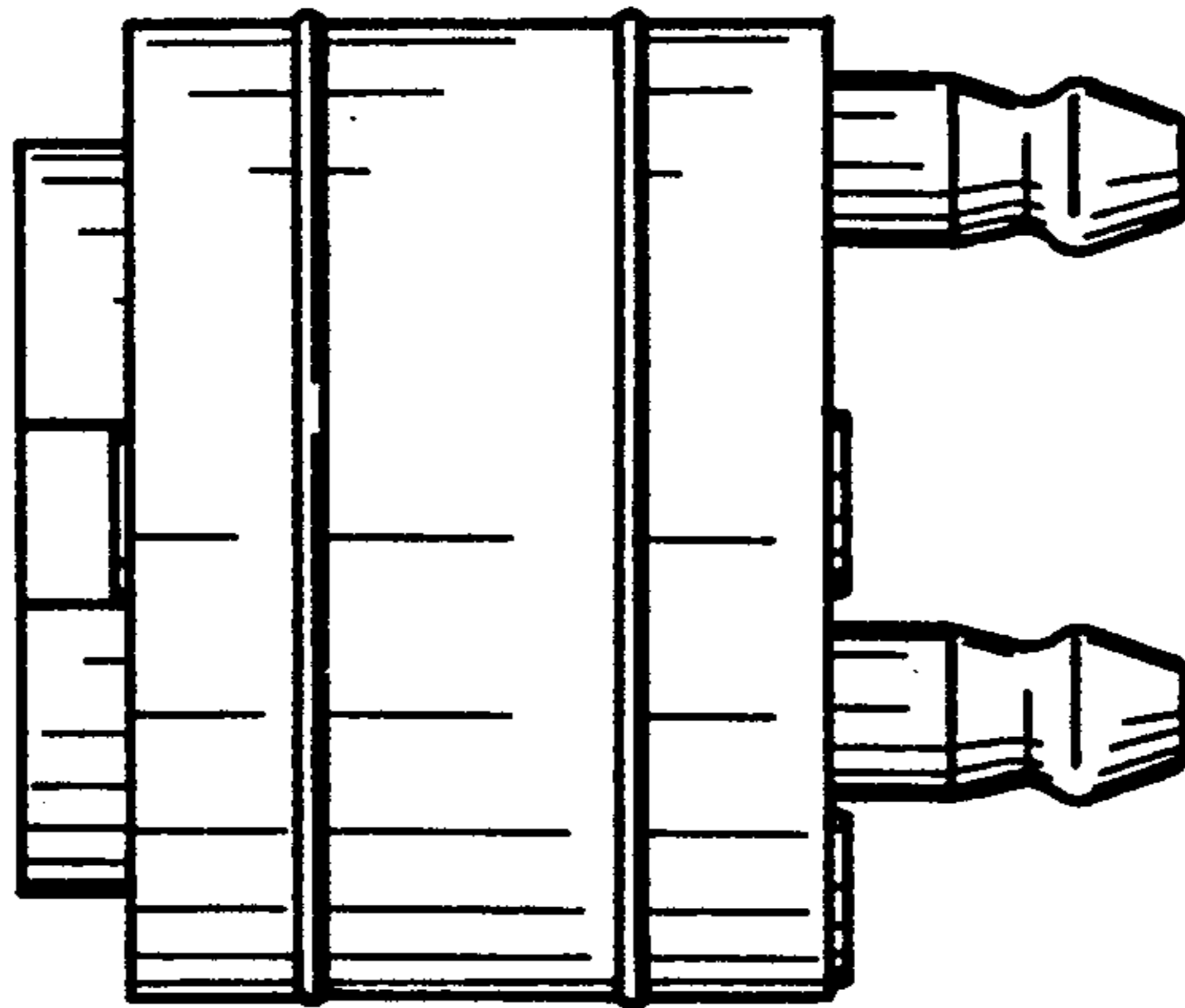


FIG. 6

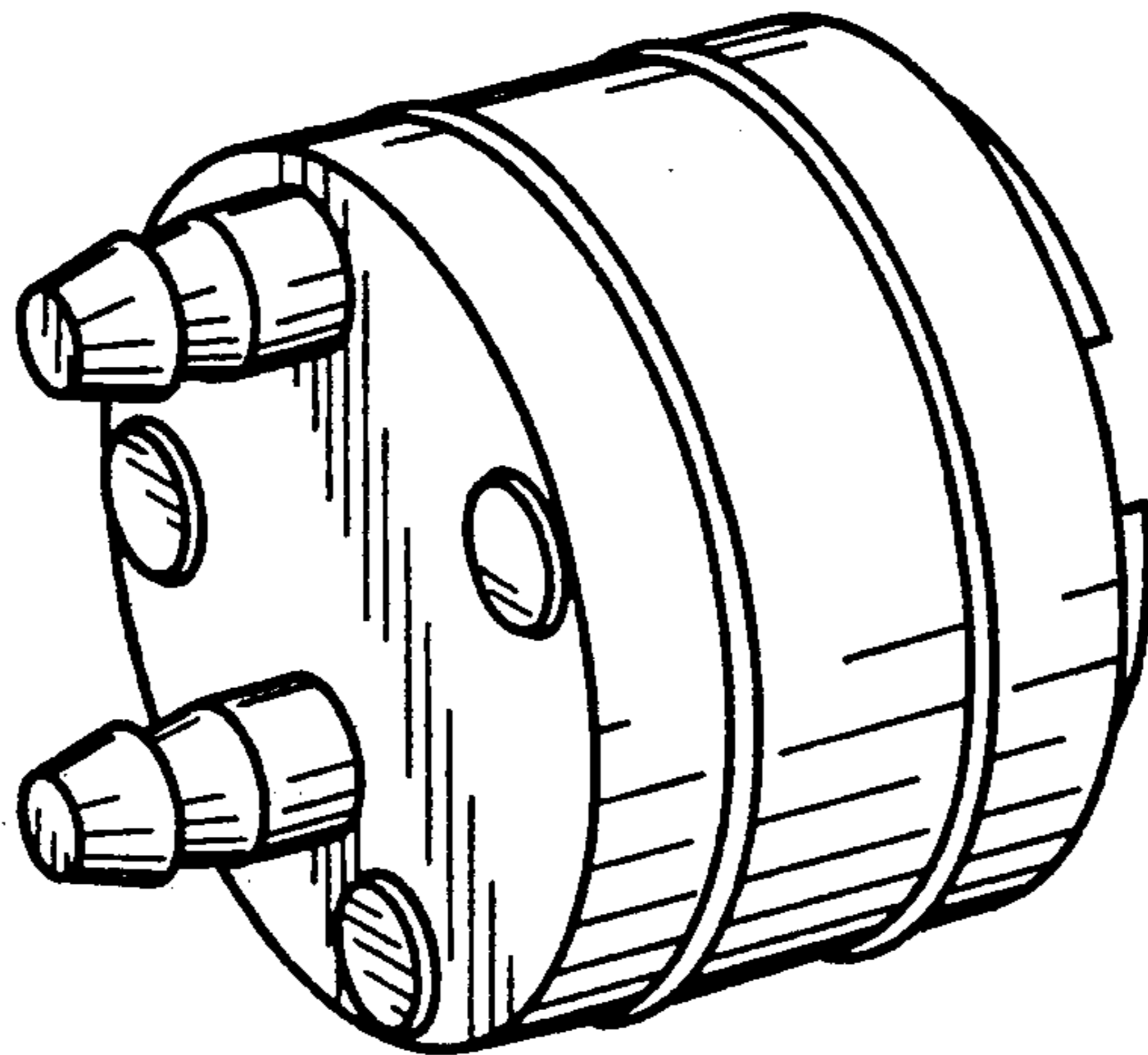


FIG. 9

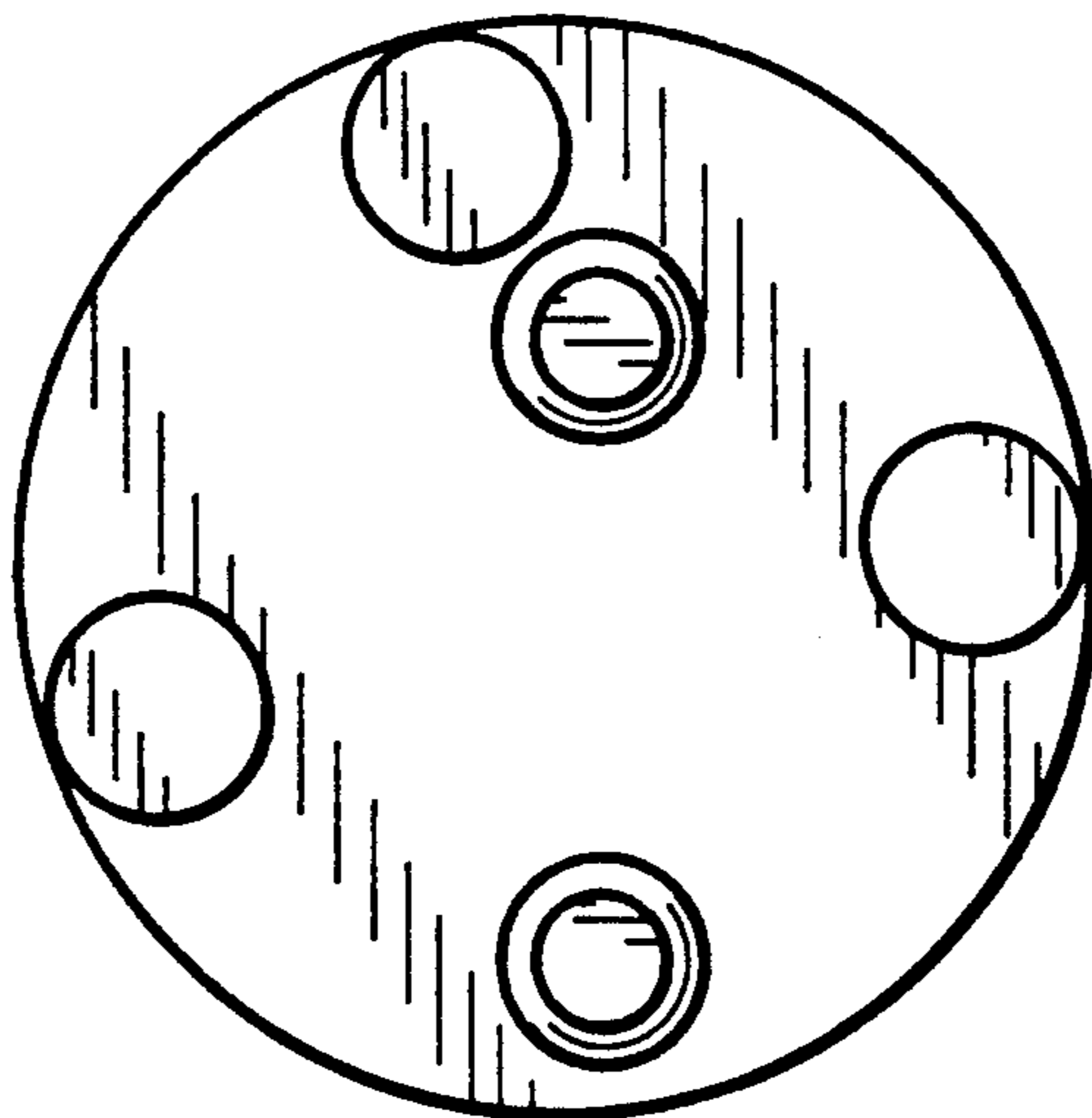


FIG. 7