

[54] FEED PUMP FOR A PAINTING APPARATUS

[75] Inventor: Ewald Kille, Friedrichshafen, Fed. Rep. of Germany

[73] Assignee: J. Wagner GmbH, Fed. Rep. of Germany

[**] Term: 14 Years

[21] Appl. No.: 335,512

[22] Filed: Apr. 10, 1989

[30] Foreign Application Priority Data

Oct. 12, 1988 [DE] Fed. Rep. of Germany 88024725

[52] U.S. Cl. D15/7

[58] Field of Search D15/7-9.1; 417/398-404, 411, 424.1-424.2

[56] References Cited

U.S. PATENT DOCUMENTS

D. 280,993 10/1985 Mariol D15/9

- D. 293,585 1/1988 Morgan D15/9
- D. 294,396 2/1988 Steere et al. D15/9
- D. 295,754 5/1988 Wang D15/9
- D. 296,104 6/1988 Hung D15/9
- D. 296,441 6/1988 Mariol D15/9

Primary Examiner—Louis S. Zarfes

Assistant Examiner—R. T. Seifert

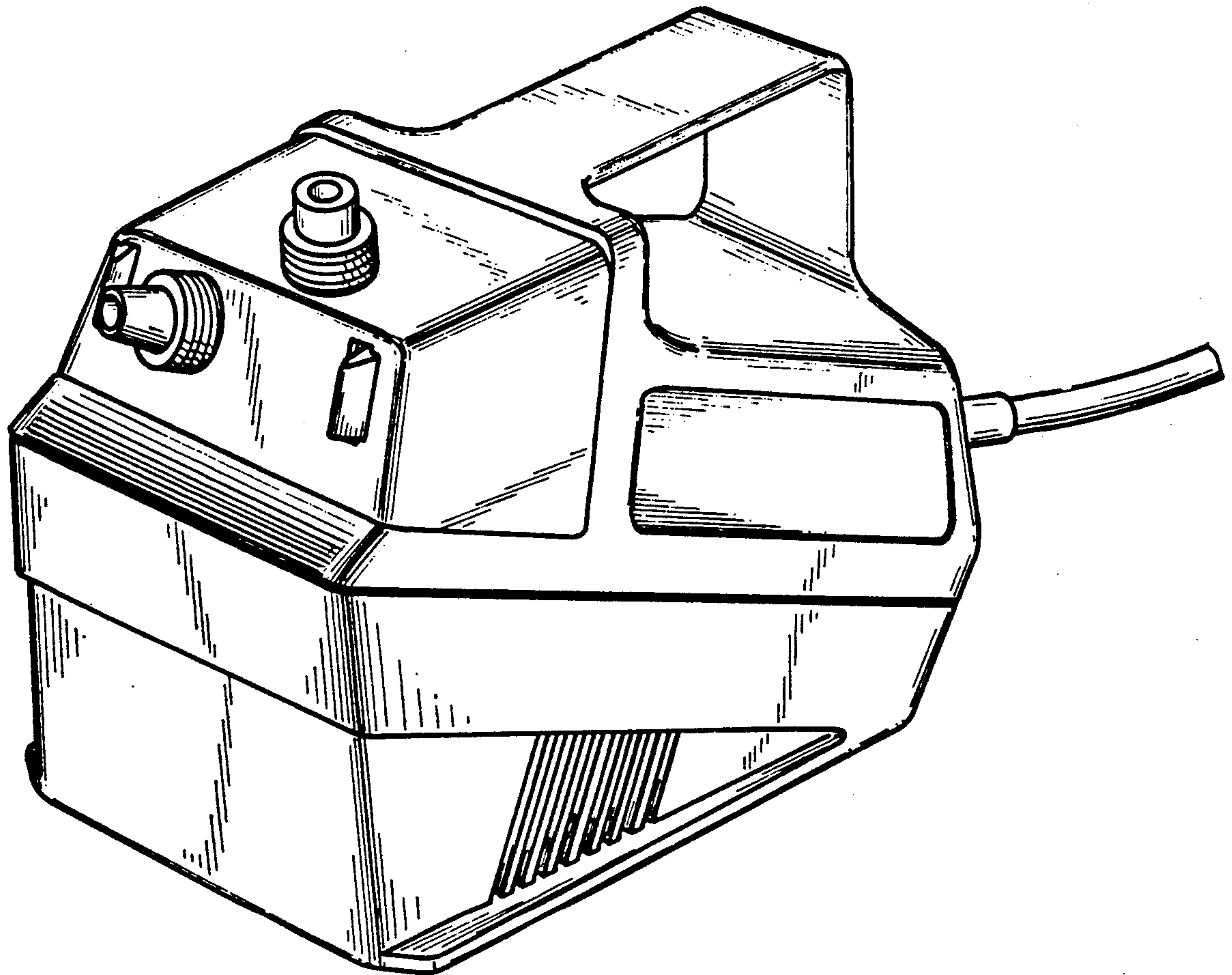
Attorney, Agent, or Firm—Hill, Van Santen, Steadman & Simpson

[57] CLAIM

The ornamental design for feed pump for a painting apparatus, as shown and described.

DESCRIPTION

FIG. 1 is a perspective view of a feed pump for a painting apparatus showing my new design; FIG. 2 is a left side elevational view; FIG. 3 is a top plan view; FIG. 4 is a front elevational view; and FIG. 5 is a rear elevational view.



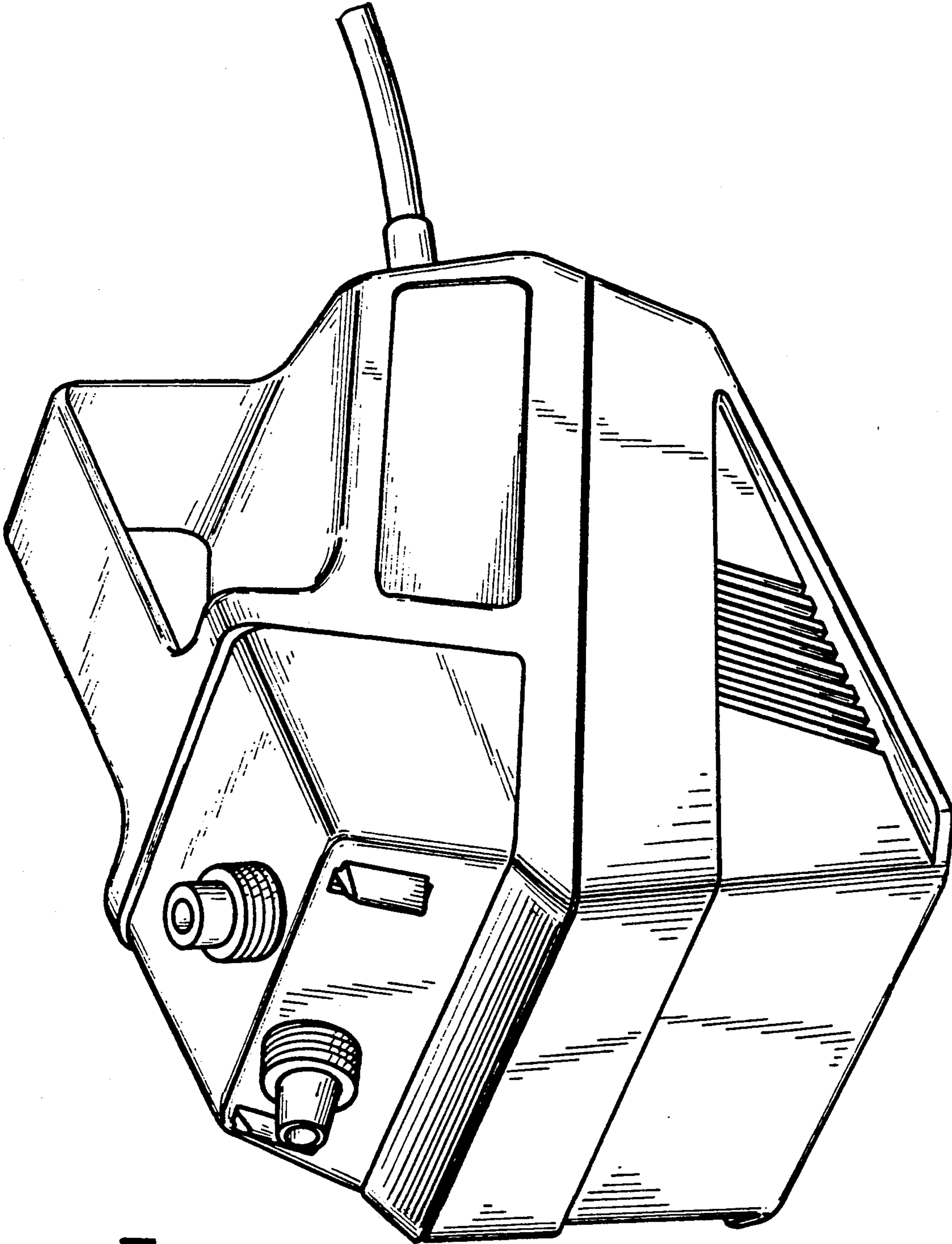


FIG. 1

FIG. 2

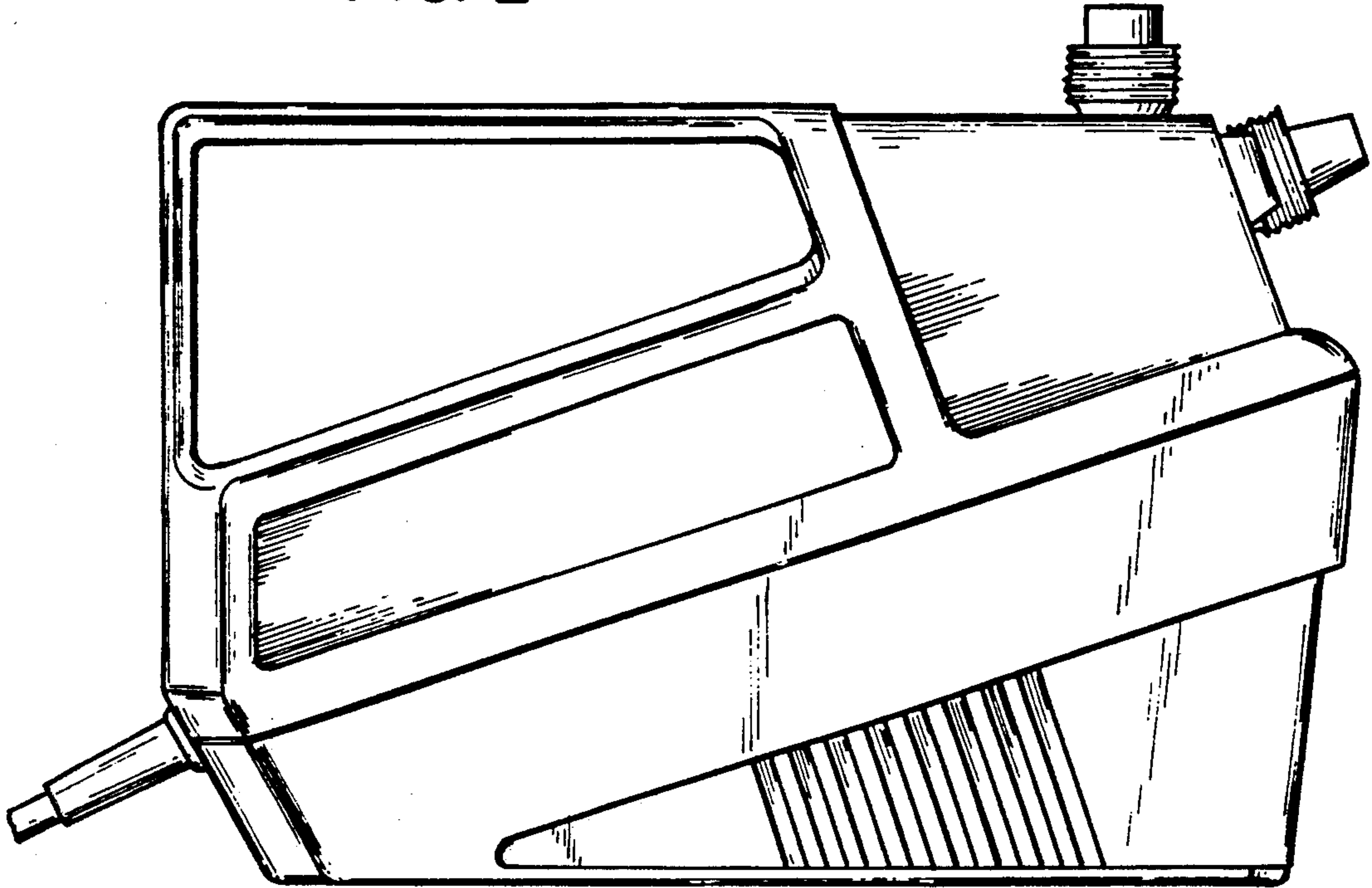


FIG. 3

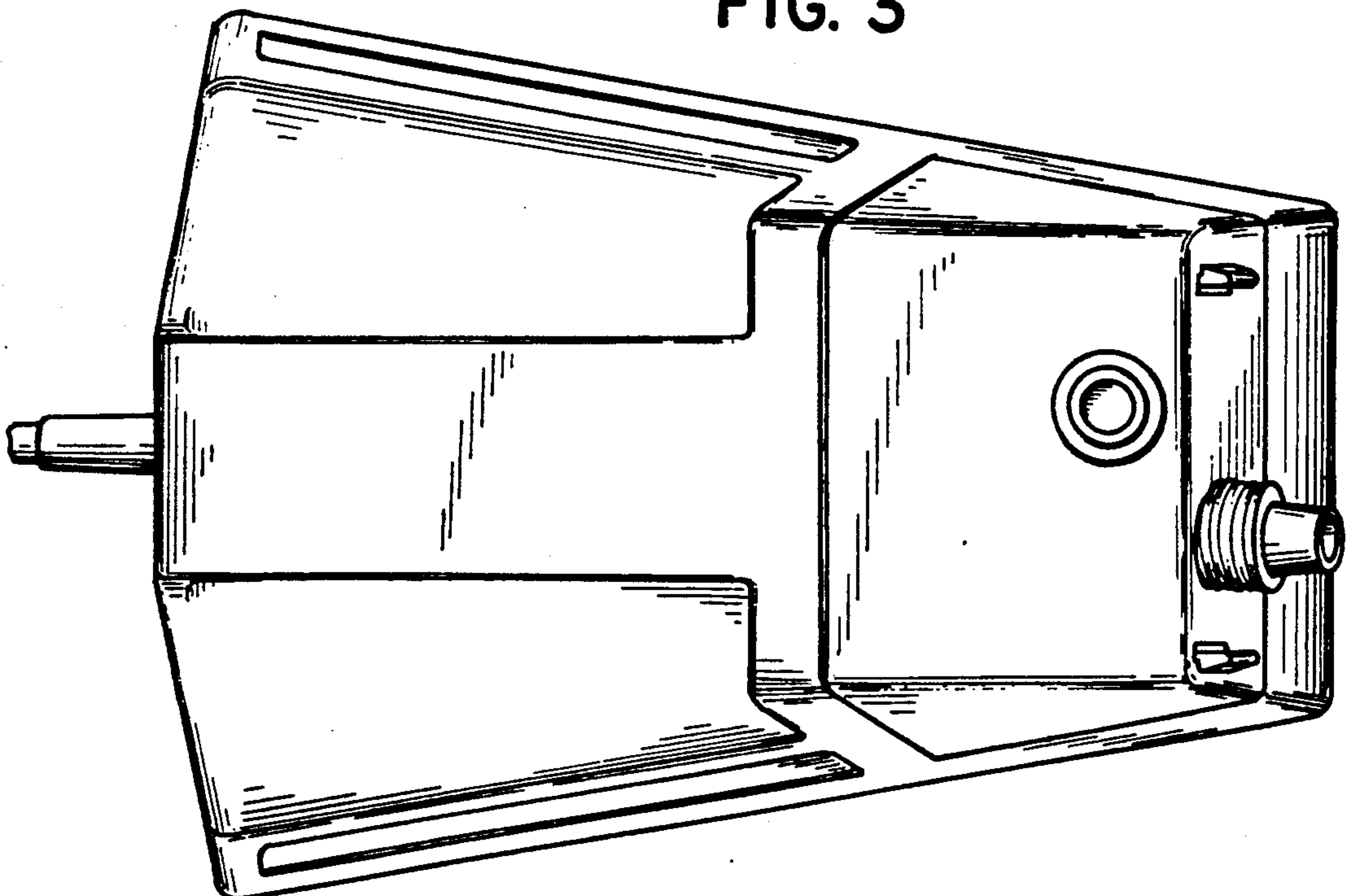


FIG. 4

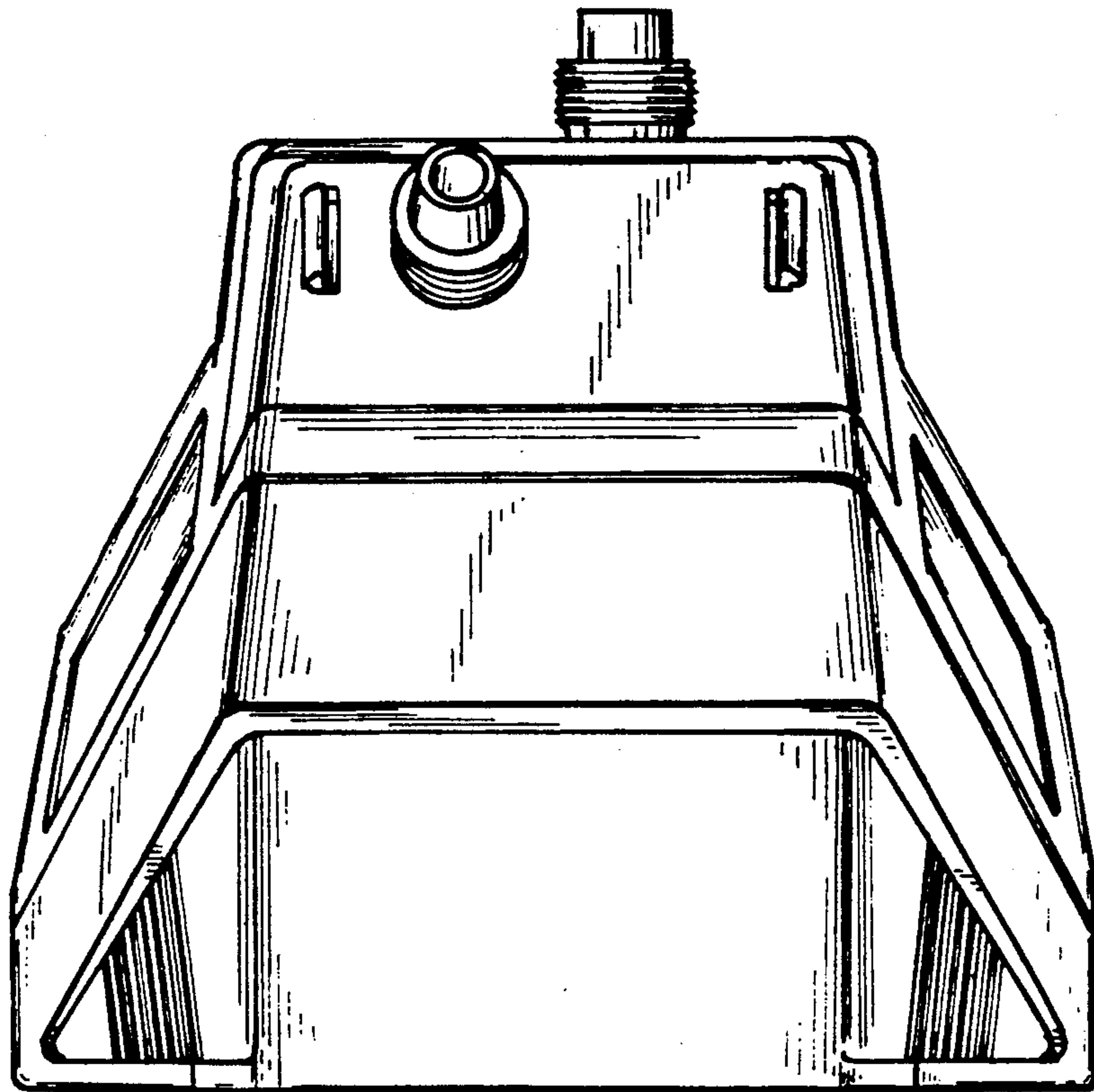


FIG. 5

