

[54] TAPE DRIVE UNIT FOR A TAPE RECORDER

4,520,412	5/1985	Yoshida	360/90 X
4,577,245	3/1986	Nemoto et al.	360/71 X
4,594,625	6/1986	Kurafuzi	360/90 X
4,603,358	7/1986	Sukurai et al.	360/71 X
4,607,302	8/1986	Sugihara	360/96.3 X

[75] Inventors: Shinsaku Tanaka, Tokyo; Tadao Arata, Inagi, both of Japan

[73] Assignee: Tanashin Denki Co., Ltd., Tokyo, Japan

Primary Examiner—Theodore M. Shooman
Attorney, Agent, or Firm—Wegner, Cantor, Mueller & Player

[**] Term: 14 Years

[57] CLAIM

[21] Appl. No.: 27,510

The ornamental design for tape drive unit for a tape recorder, as shown and described.

[22] Filed: Mar. 18, 1987

DESCRIPTION

[52] U.S. Cl. D14/260; D14/299

[58] Field of Search D14/124, 217, 260, 299; 360/71, 73.09, 90, 96.3

FIG. 1 is a front elevational view of tape drive unit for a tape recorder, showing our new design; FIG. 2 is a rear elevational view thereof; FIG. 3 is a top plan view thereof; FIG. 4 is a left side elevational view thereof; FIG. 5 is a right side elevational view thereof; and FIG. 6 is a bottom plan view thereof.

[56] References Cited

U.S. PATENT DOCUMENTS

D. 276,517	11/1984	Dekker et al.	D14/260
4,386,381	5/1983	Itai	360/71 X

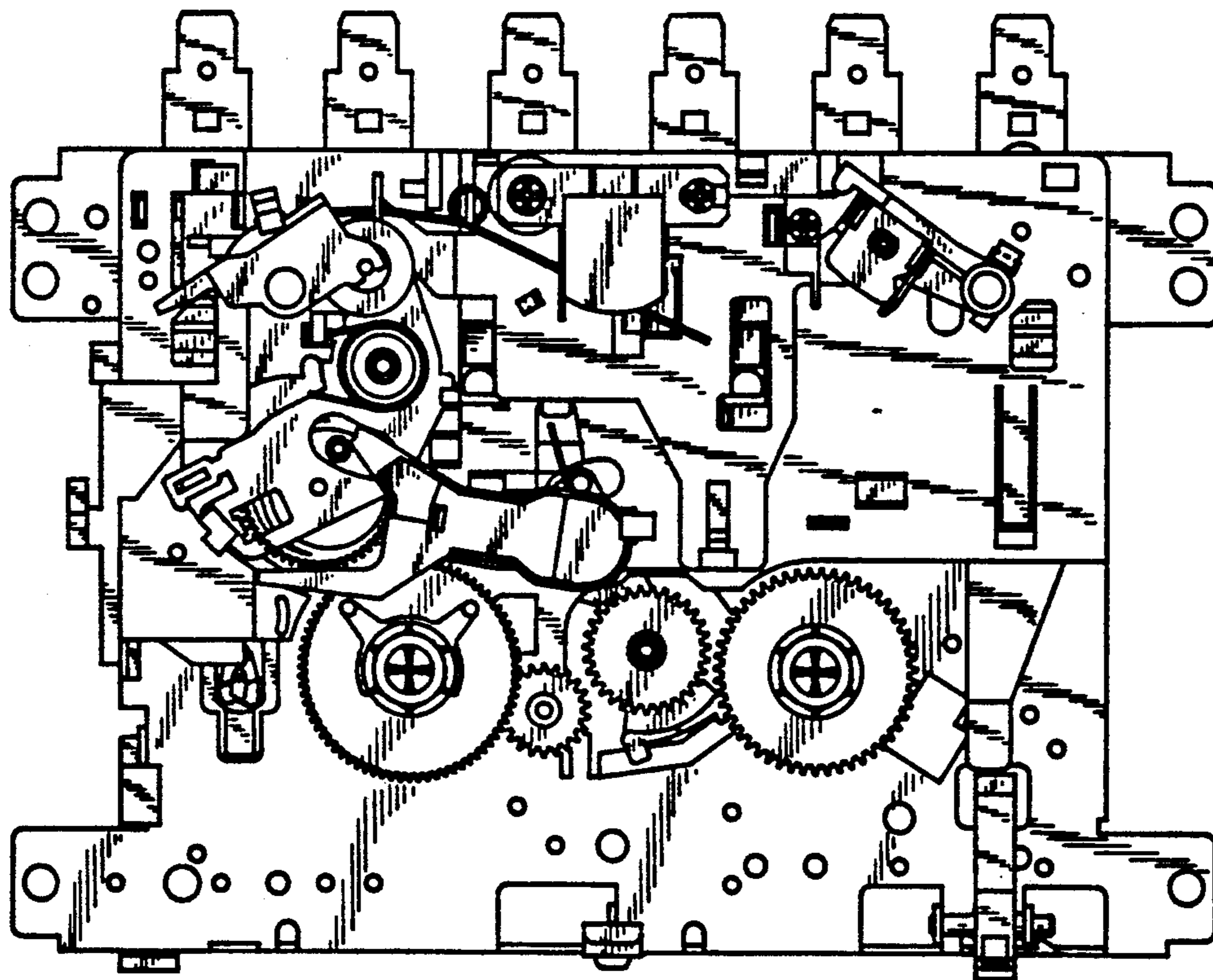


FIG. 1

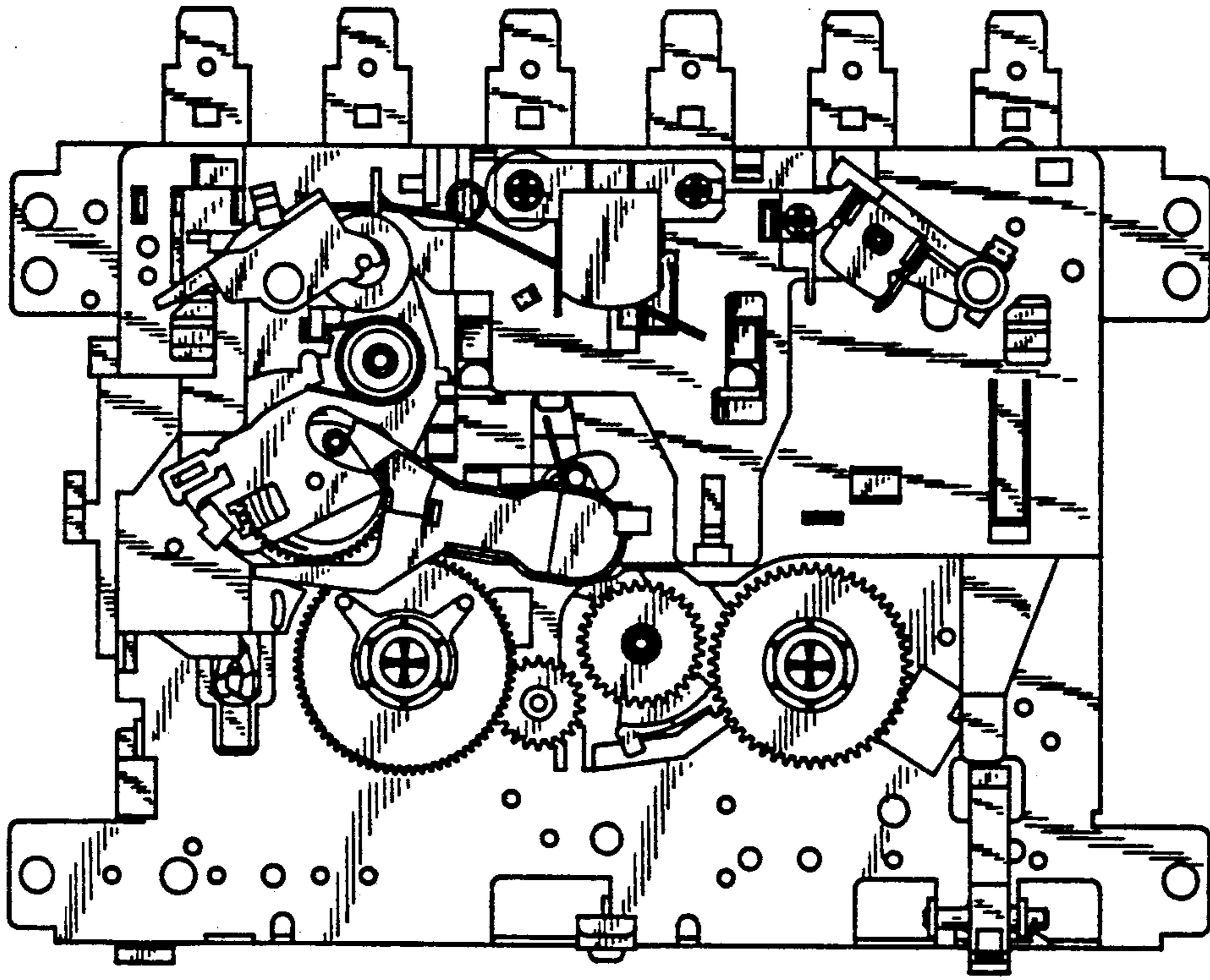


FIG. 2

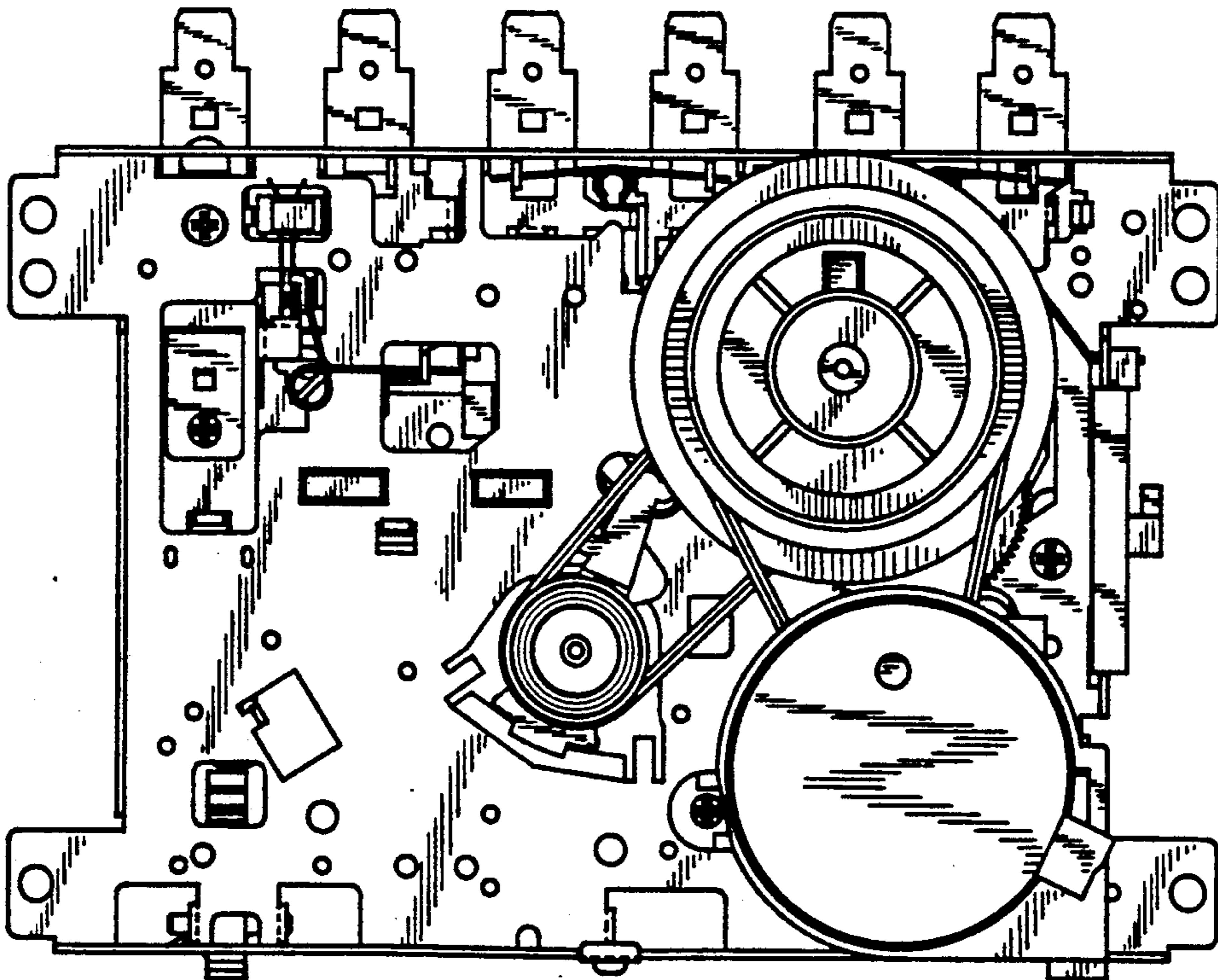


FIG. 3

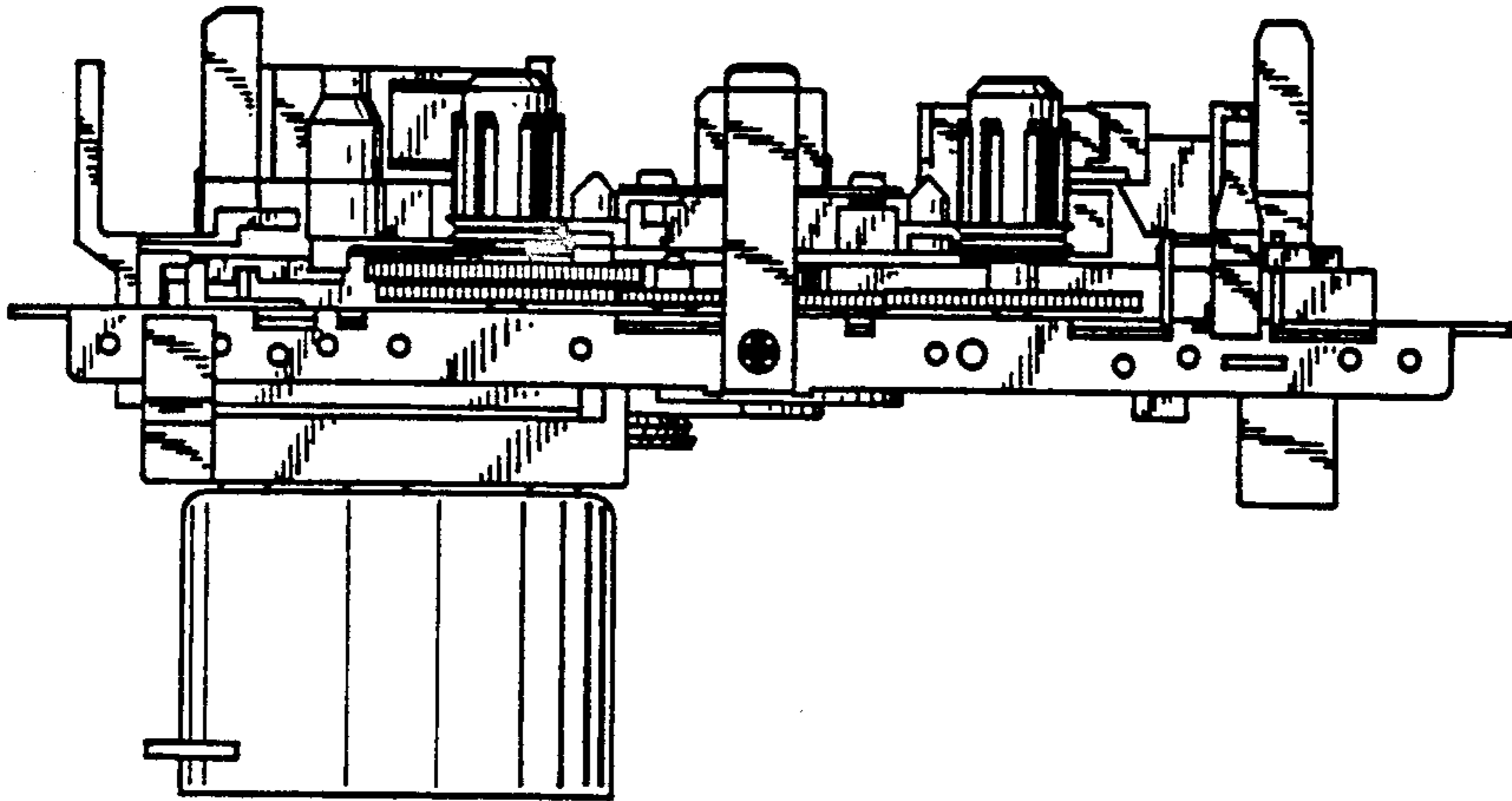


FIG. 4

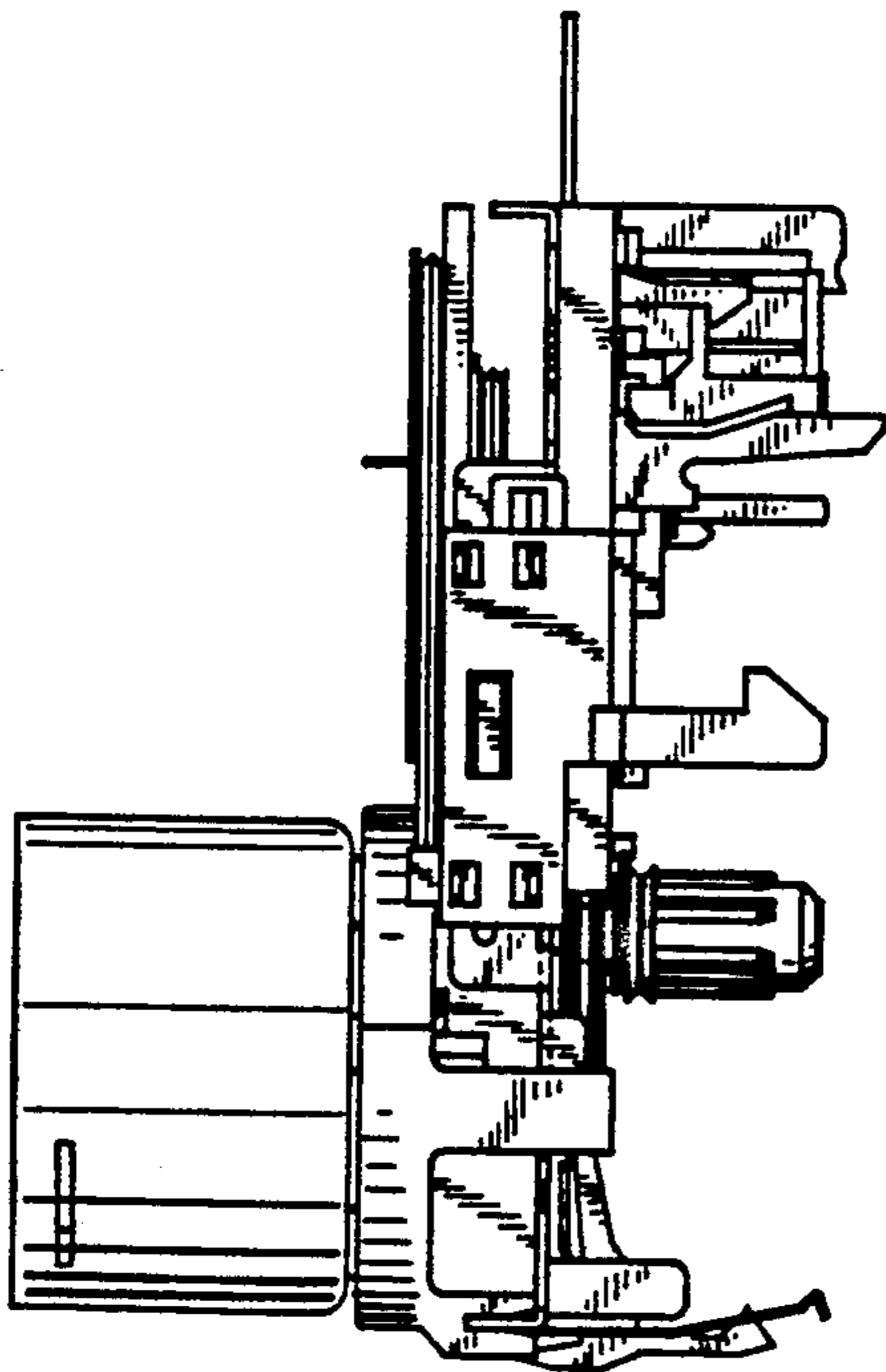


FIG. 5

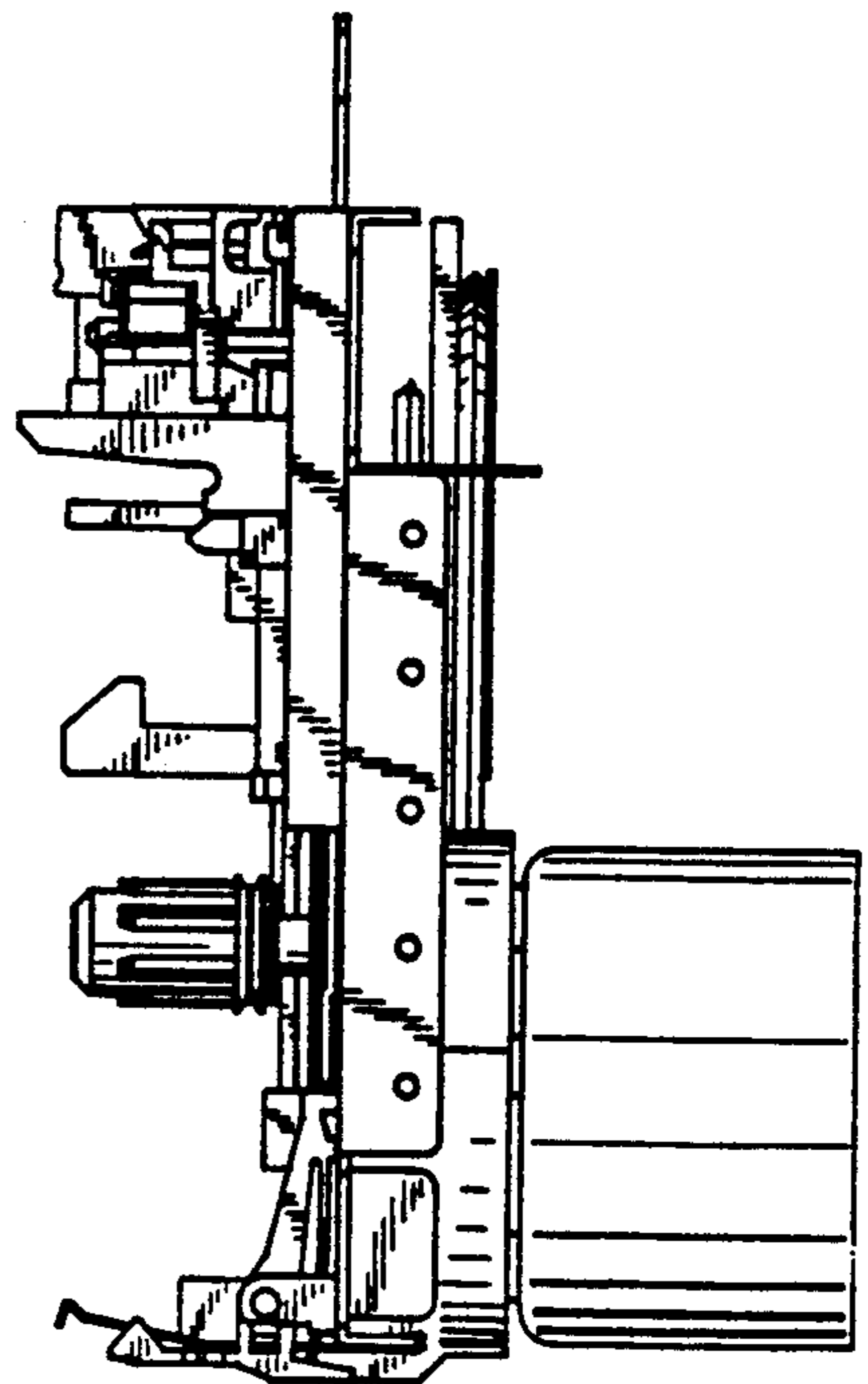


FIG. 6

