

- [54] RECEPTACLE FOR ELECTRONIC BAR CODE READER
- [75] Inventors: James R. Meckstroth; Donna E. Goodner; Keving J. Ahearn, all of Charlotte, N.C.
- [73] Assignee: Hand Held Products, Inc., Charlotte, N.C.
- [**] Term: 14 Years
- [21] Appl. No.: 251,892
- [22] Filed: Sep. 30, 1988
- [52] U.S. Cl. D14/114; D14/107; D14/116
- [58] Field of Search D14/100, 105, 107, 114, D14/116; D13/184, 199; 235/375, 378, 378, 435, 382-385, 454, 462, 463, 467, 470, 472, 475, 483, 486; 364/706-709.12; 382/58-63; 250/203.1, 216, 566, 568; 354/80, 81, 82; 355/75, 200, 218, 230, 231, 233; 358/408, 473, 474, 497; 248/671, 672, 678, 681, 139; 211/13

[56] **References Cited**
U.S. PATENT DOCUMENTS

D. 272,348	1/1984	Gonzales et al.	D14/100
D. 308,968	7/1990	Morun et al.	D14/114
4,305,508	12/1981	Rodgers	211/13
4,432,521	2/1984	Douglas	211/13 X
4,505,395	3/1985	Nathan	211/13 X
4,654,818	3/1987	Wetterau, Jr.	364/709.12 X
4,835,372	5/1989	Gombrich et al.	235/472 X
4,850,009	7/1989	Zook et al.	235/375 X

OTHER PUBLICATIONS

Symbol LS 8120II/81255II, Solid State Laser Scanner with Integrated RS 232C Interface, Publication No. 887, VA, ©1987, Symbol Technologies, Inc.

Primary Examiner—Wallace R. Burke
 Assistant Examiner—Freda S. Nunn

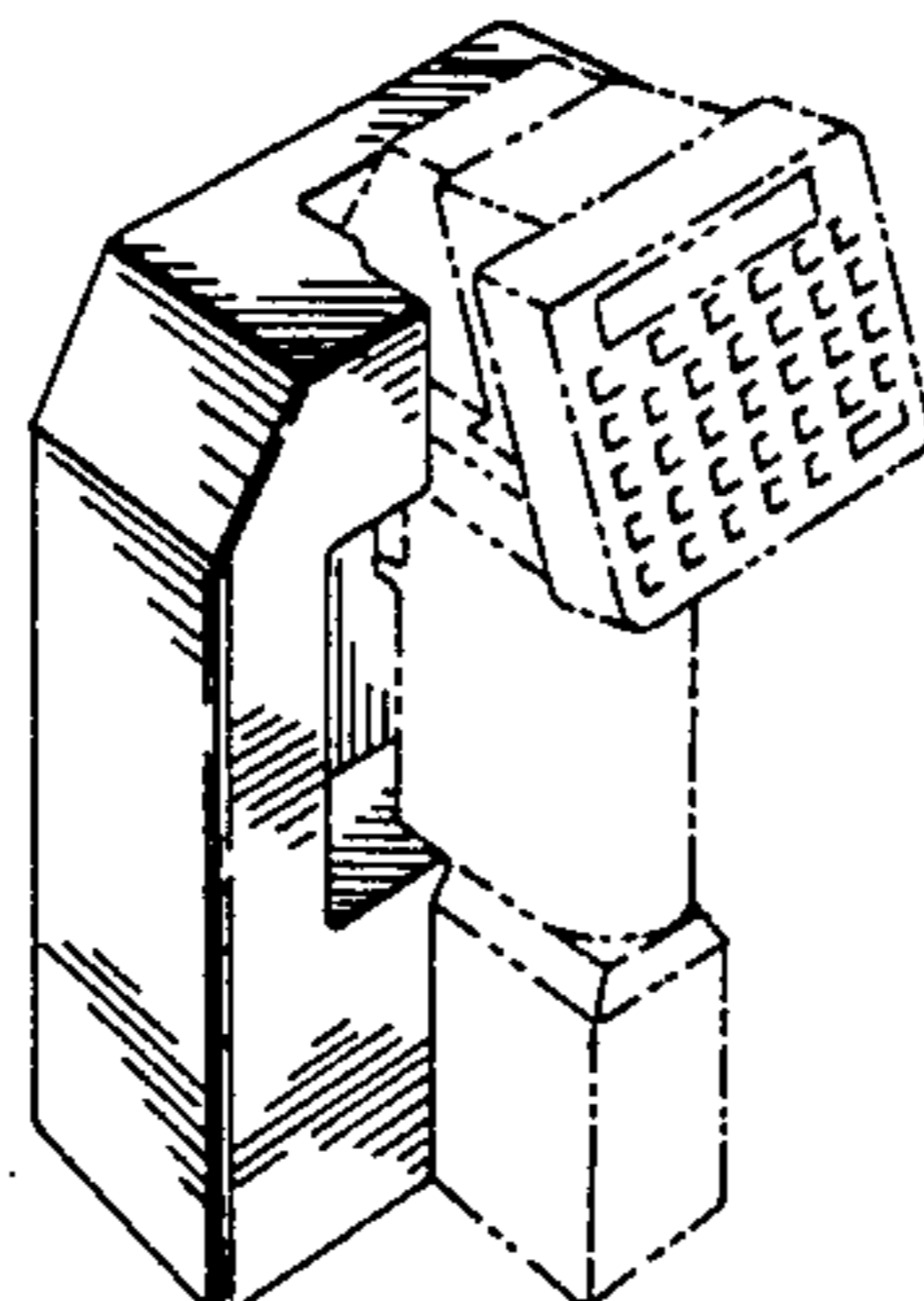
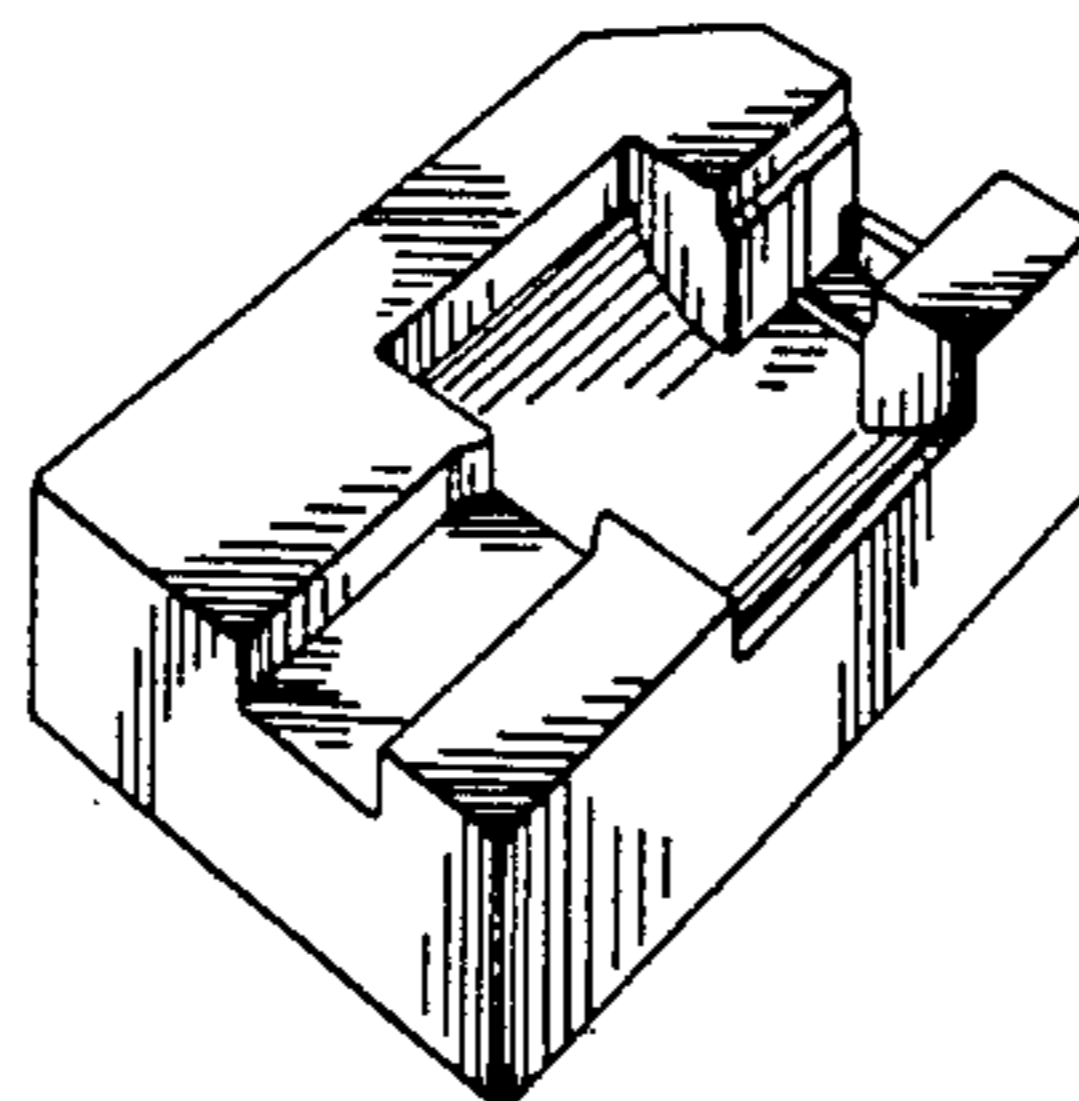
Attorney, Agent, or Firm—Bell, Seltzer, Park & Gibson

[57] **CLAIM**

The ornamental design for a receptacle for electronic bar code reader, as shown and described.

DESCRIPTION

FIG. 1 is a top, bottom end, right side perspective view of a receptacle for electronic bar code reader showing our new design;
 FIG. 2 is a top plan view thereof;
 FIG. 3 is a left side elevational view thereof;
 FIG. 4 is a right side elevational view thereof;
 FIG. 5 is a top end elevational view thereof;
 FIG. 6 is a bottom end elevational view thereof;
 FIG. 7 is a perspective view thereof with an electronic bar code reader being shown in broken lines for illustrative purposes only and forms no part of the claimed design;
 FIG. 8 is a top, bottom end, right side perspective view of a second embodiment of our design;
 FIG. 9 is a top plan view thereof;
 FIG. 10 is a left side elevational view thereof;
 FIG. 11 is a right side elevational view thereof;
 FIG. 12 is a top end elevational view thereof;
 FIG. 13 is a bottom end elevational view thereof;
 FIG. 14 is a perspective view thereof with an electronic bar code reader being shown in broken lines for illustrative purposes only and forms no part of the claimed design;
 FIG. 15 is a top, bottom end, right side perspective view of a third embodiment of our design;
 FIG. 16 is a top plan view thereof;
 FIG. 17 is a top end elevational view thereof;
 FIG. 18 is a left side elevational view thereof, the right side elevational view being a mirror image;
 FIG. 19 is a perspective view thereof, with an electronic bar code reader being shown in broken lines for illustrative purposes only and forms no part of the claimed design.
 The rear of each embodiment is flat and unornamented.



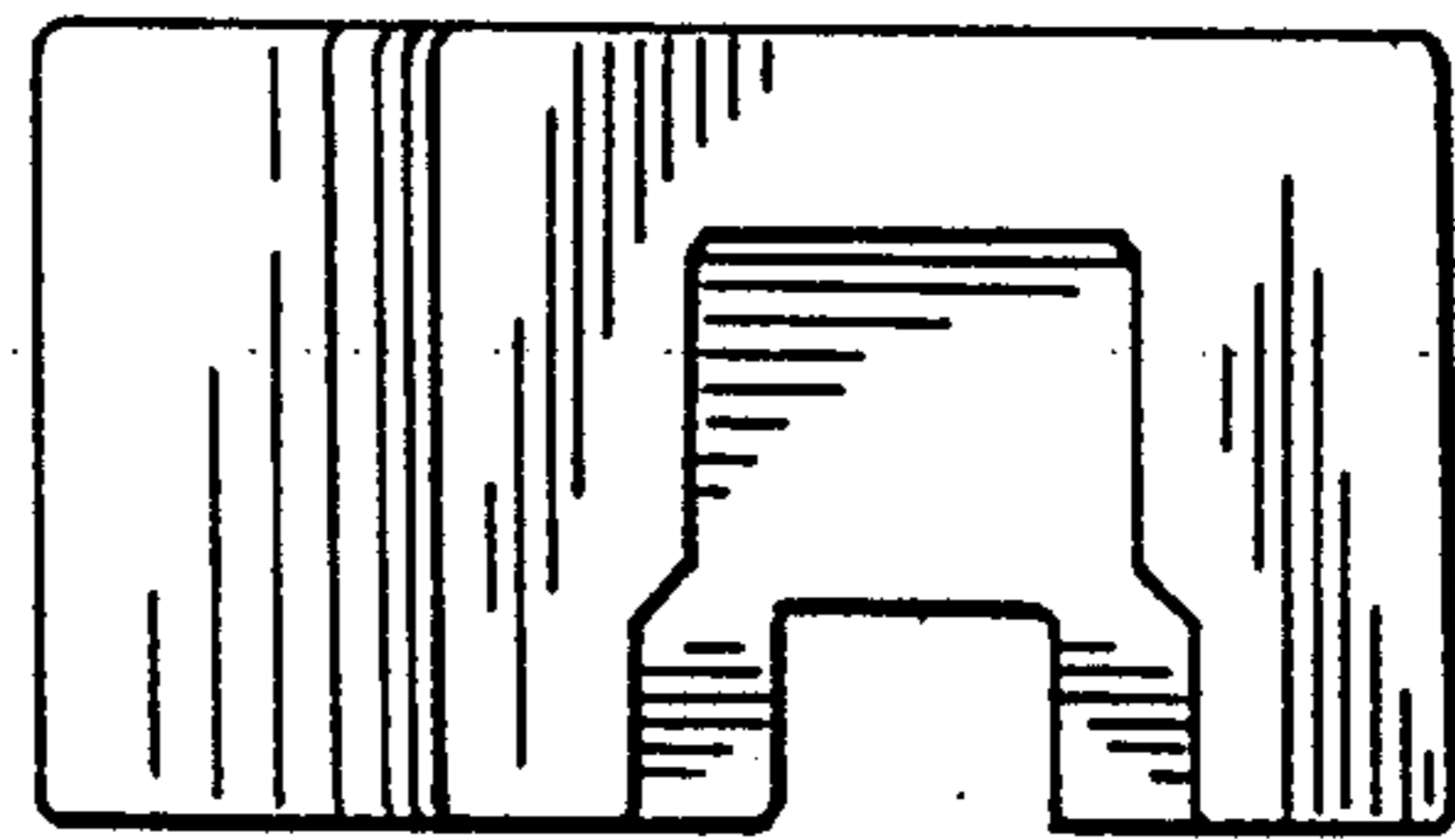
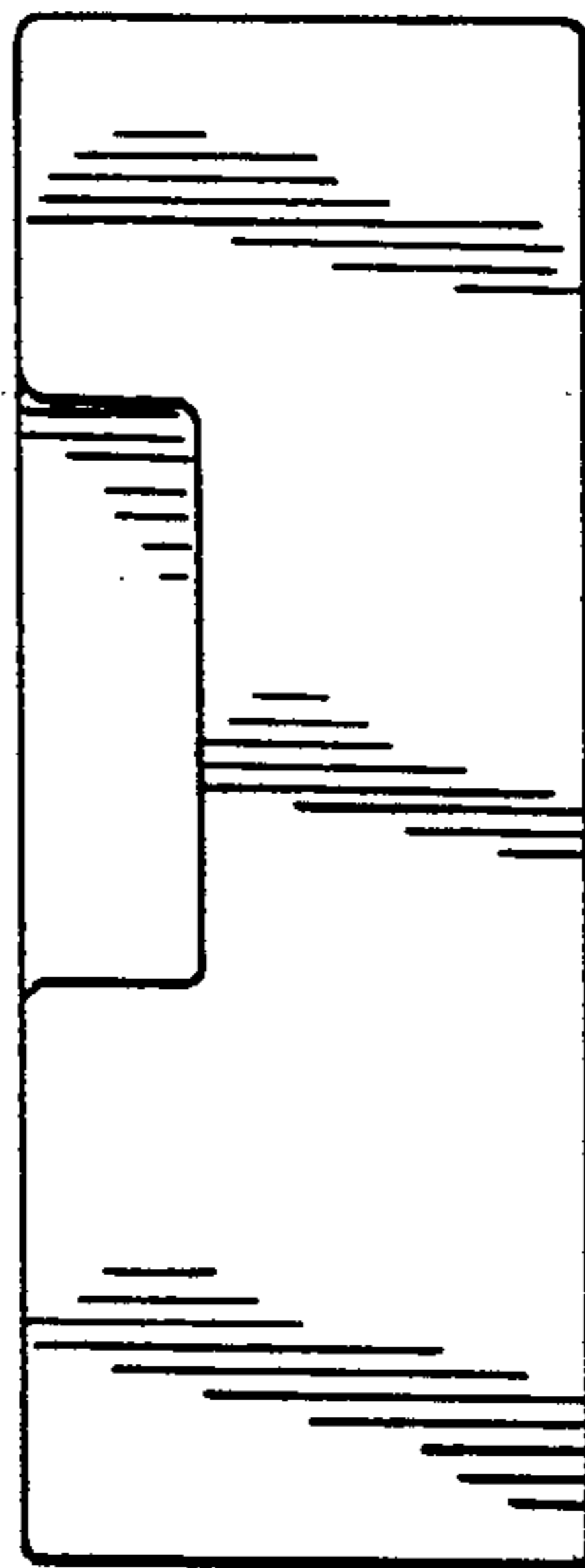
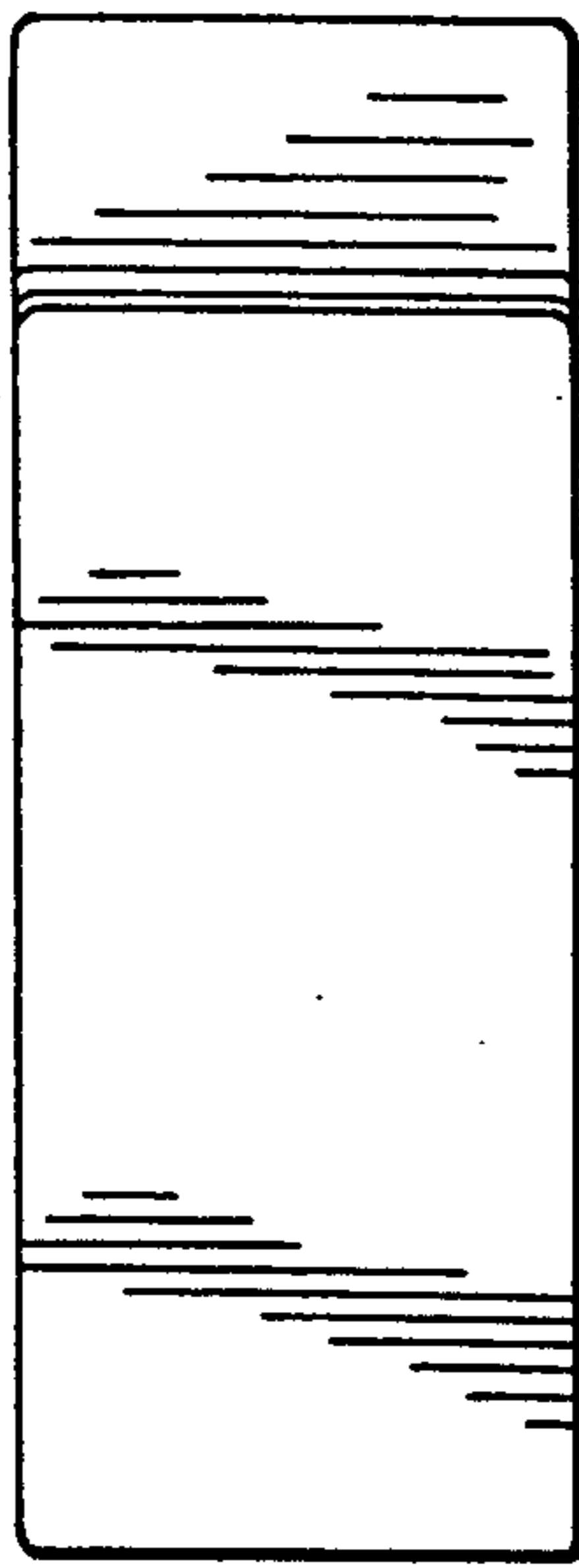
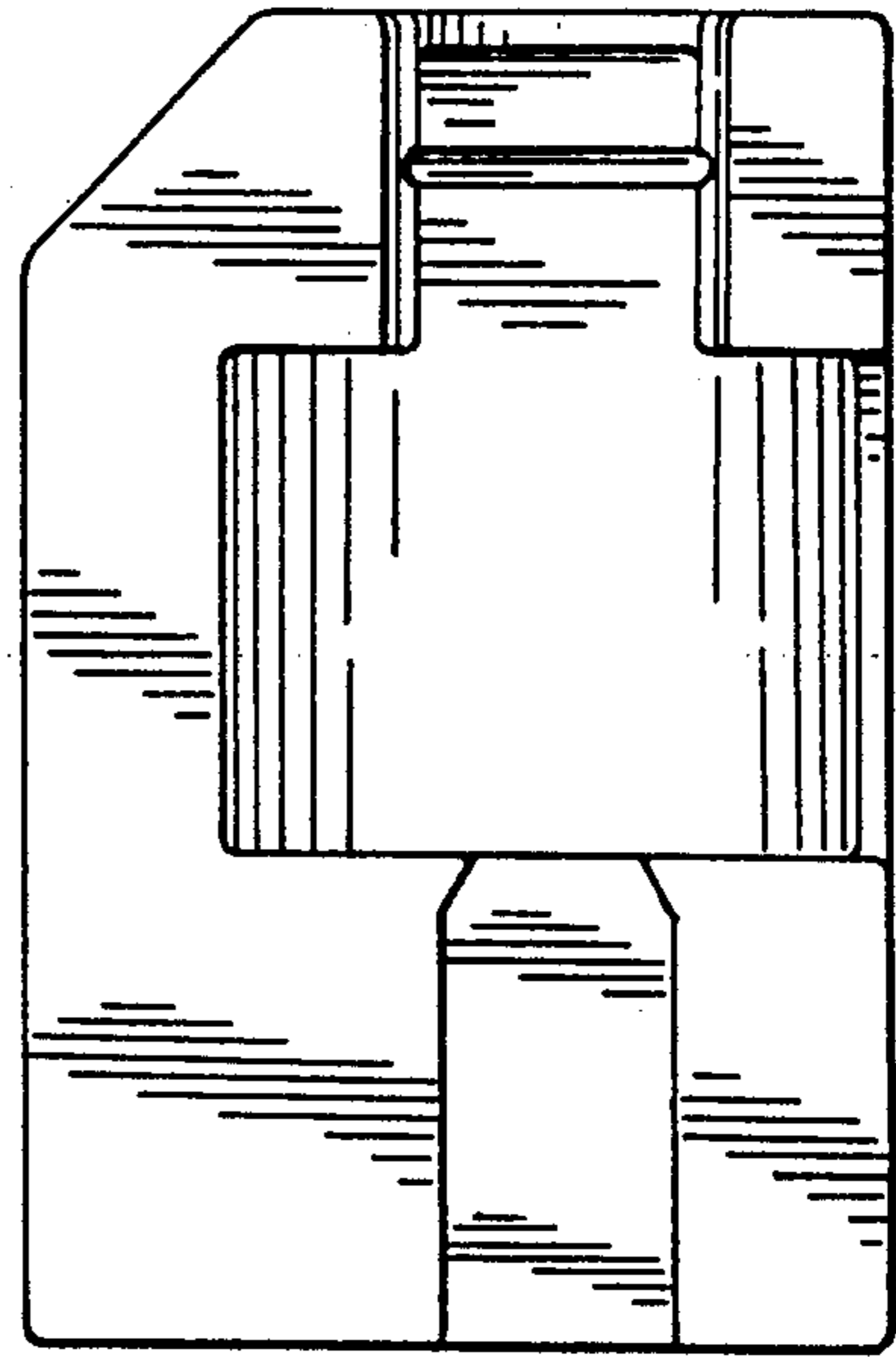
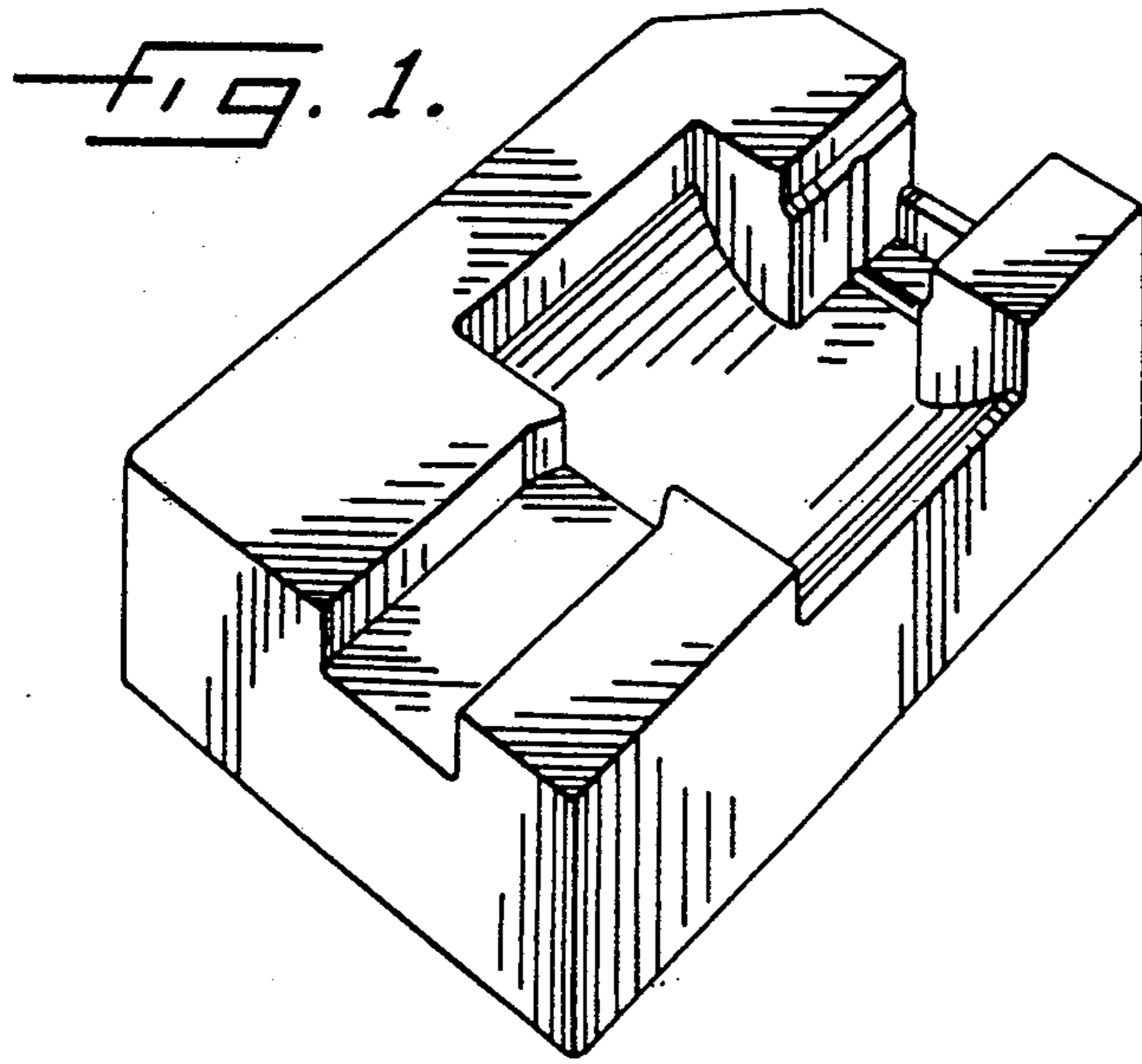


FIG. 3.

FIG. 4.

FIG. 5.

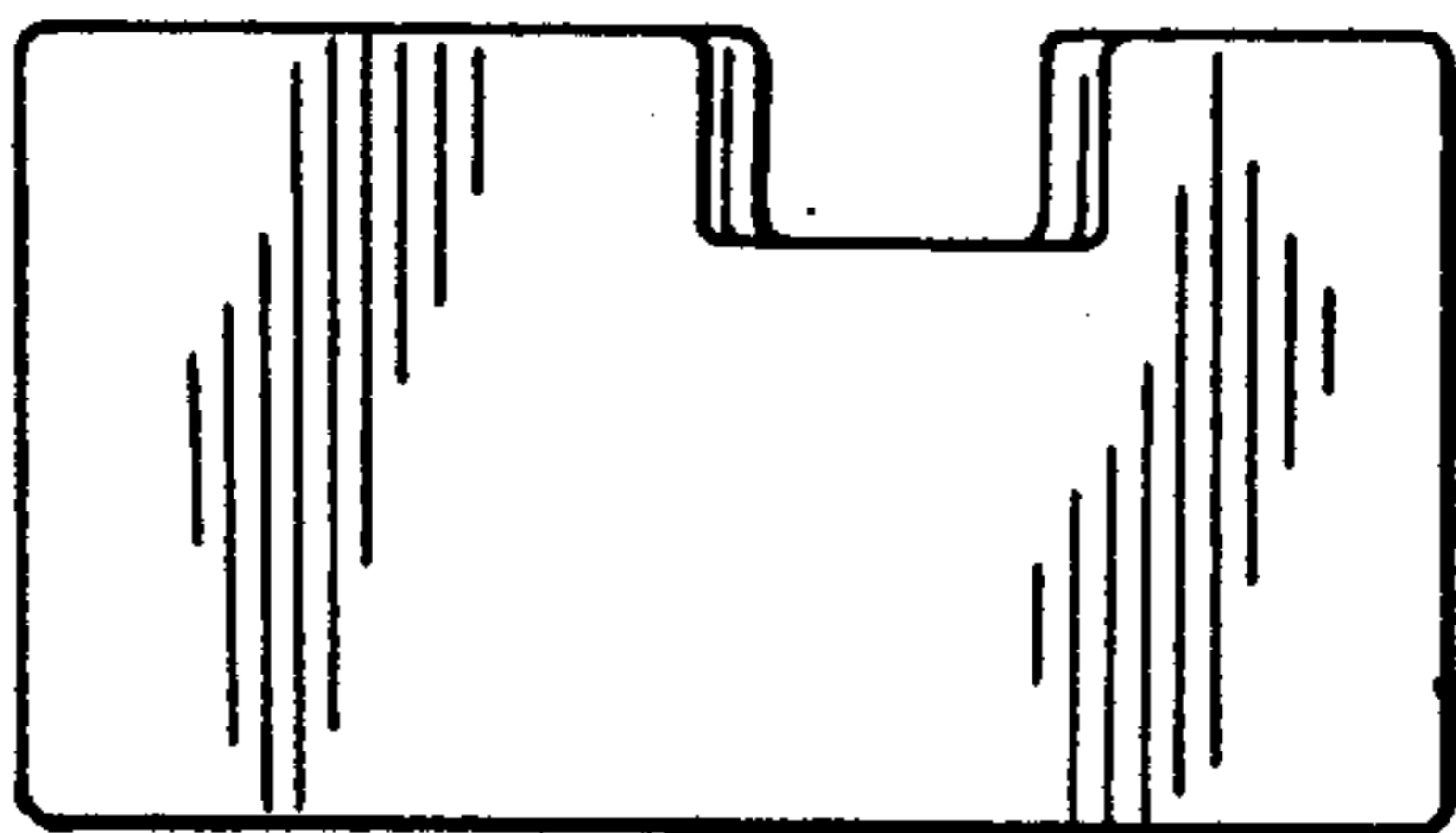


FIG. 6.

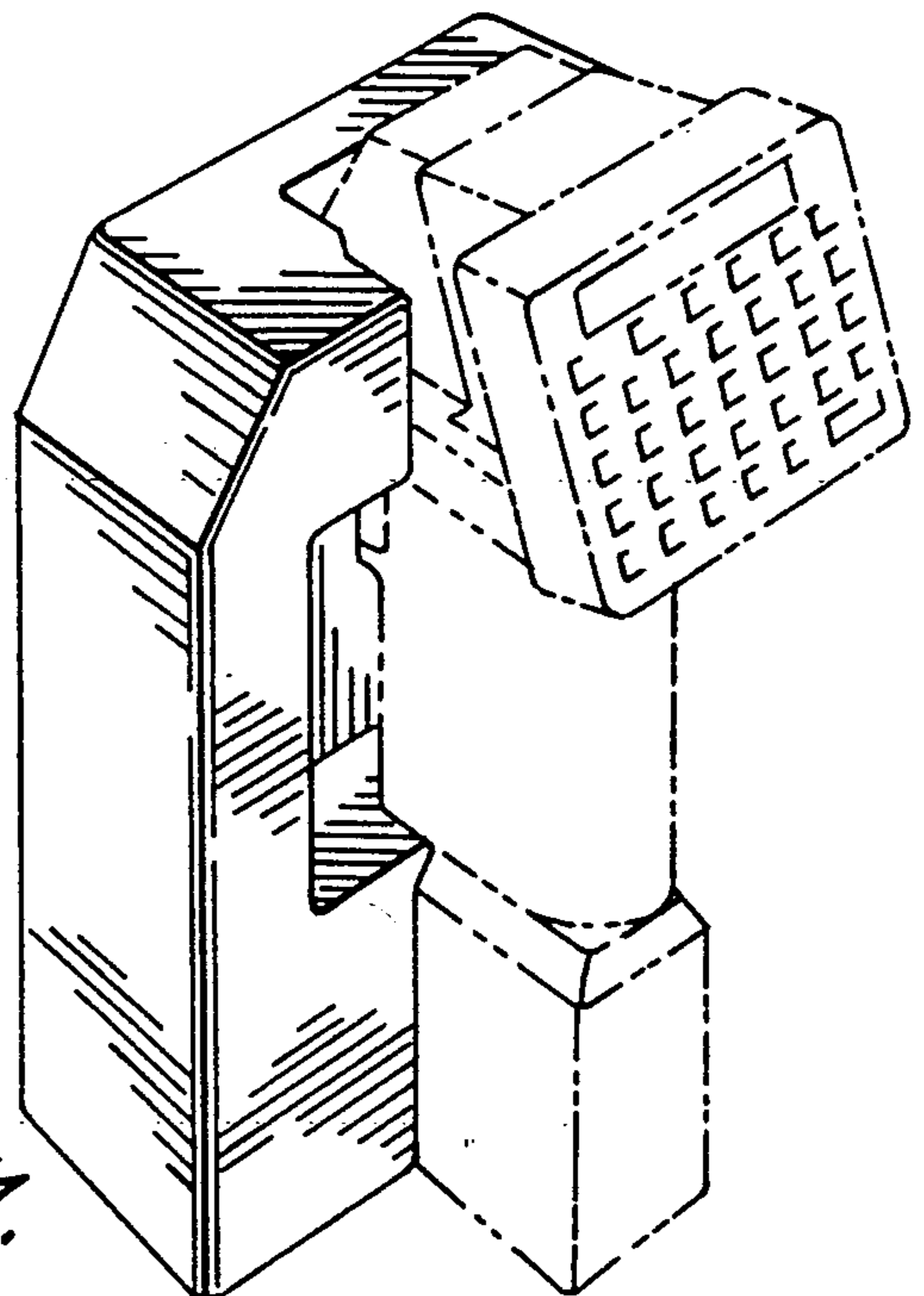


FIG. 7.

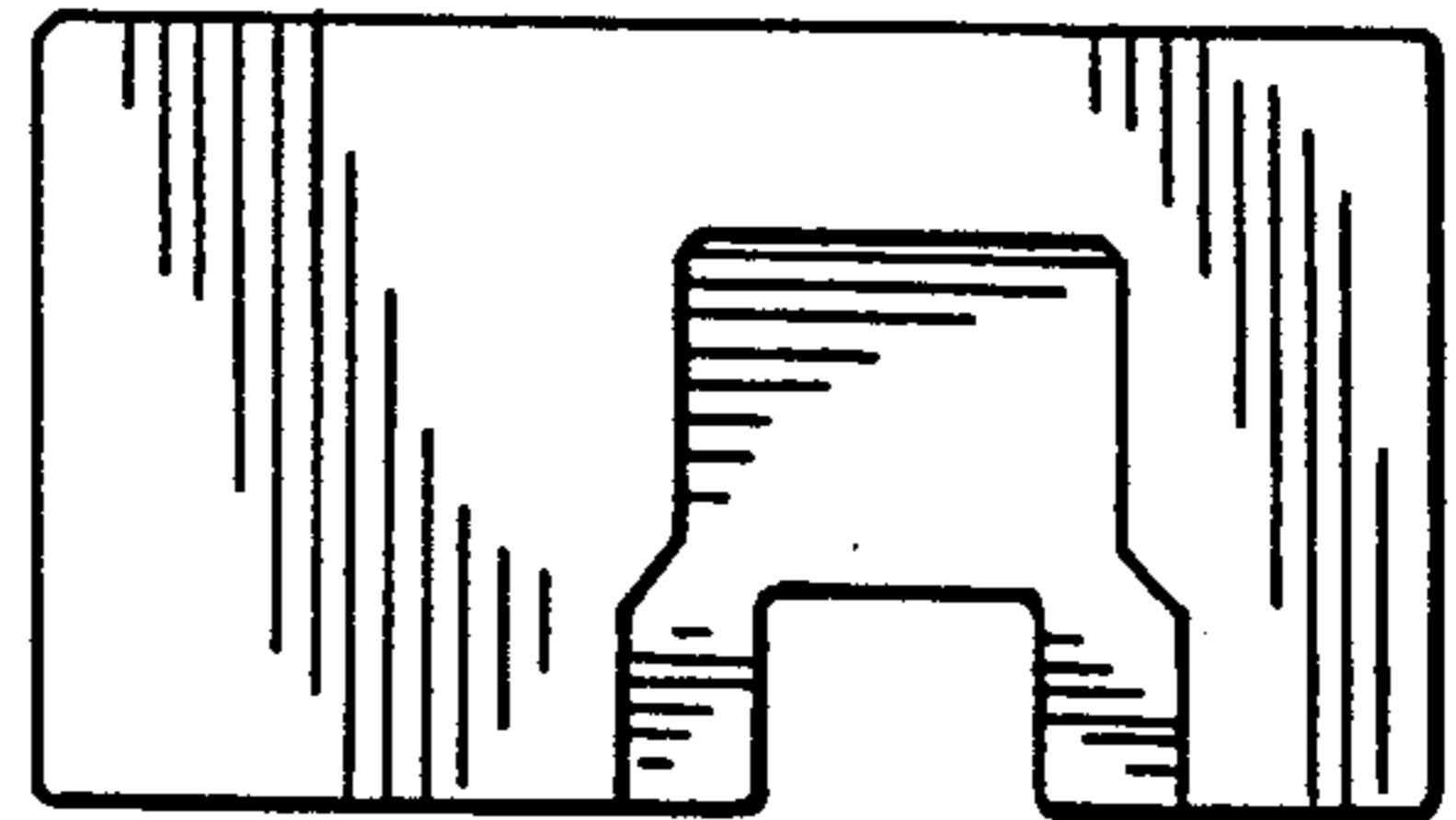
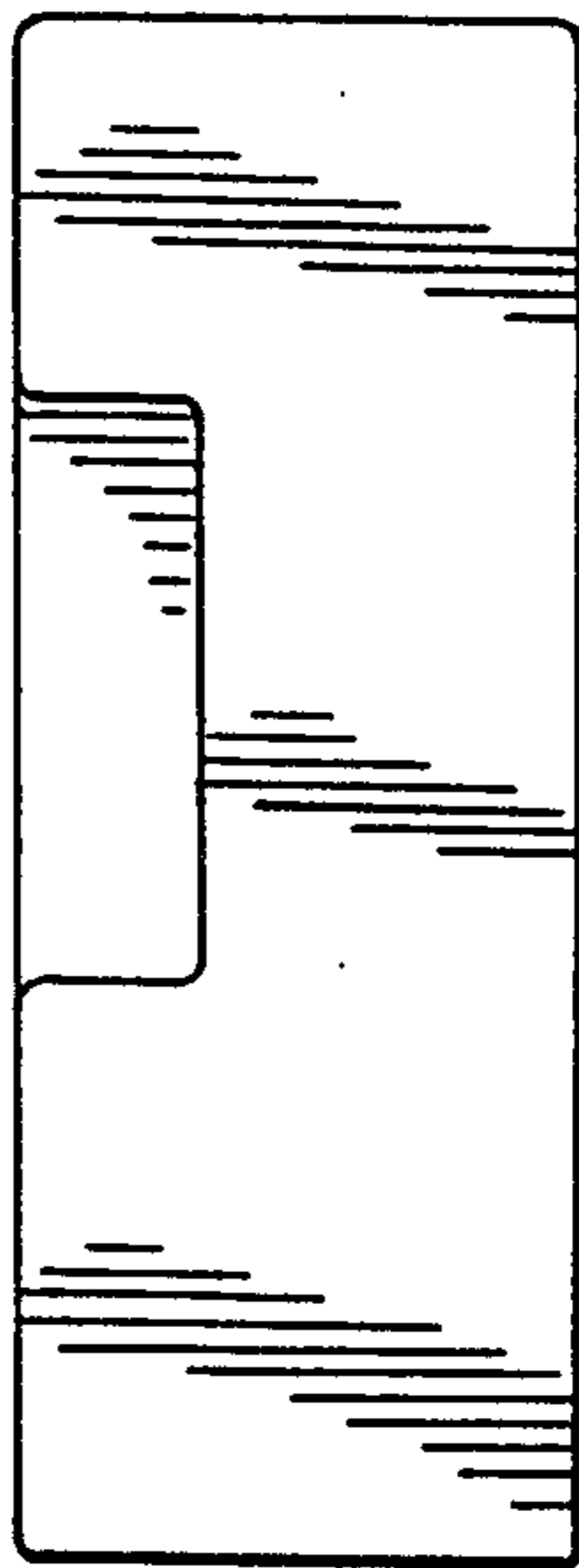
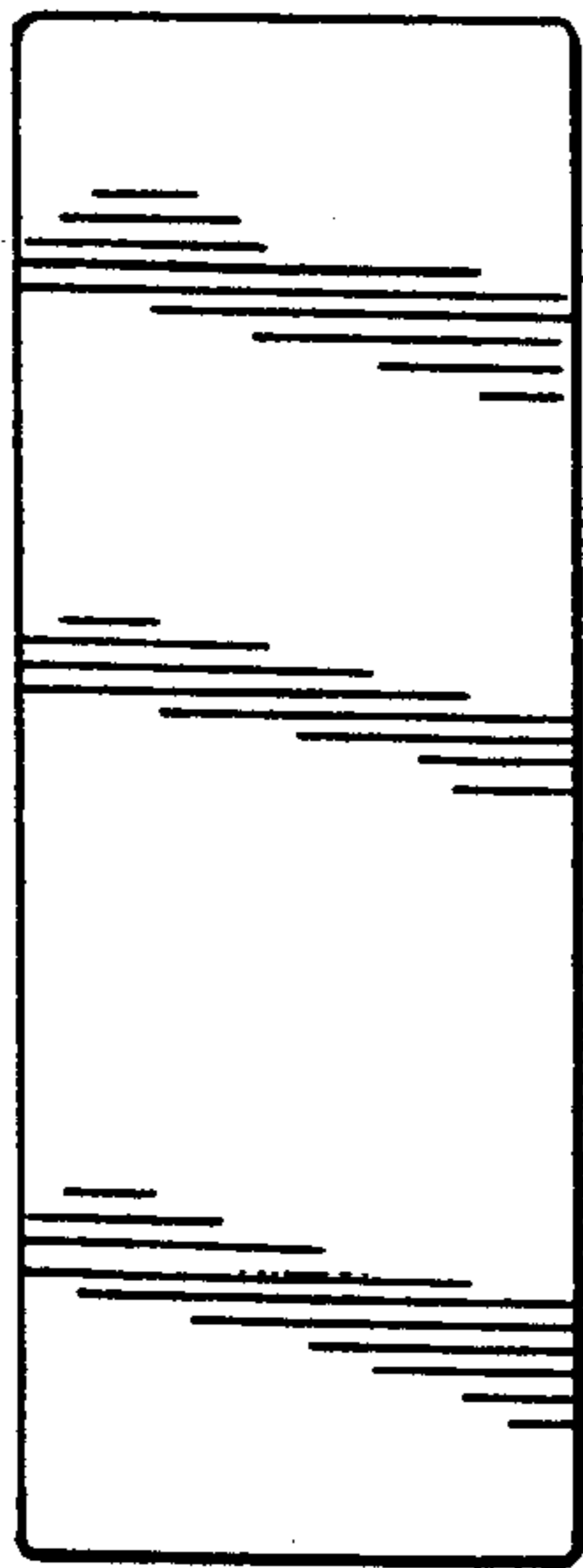
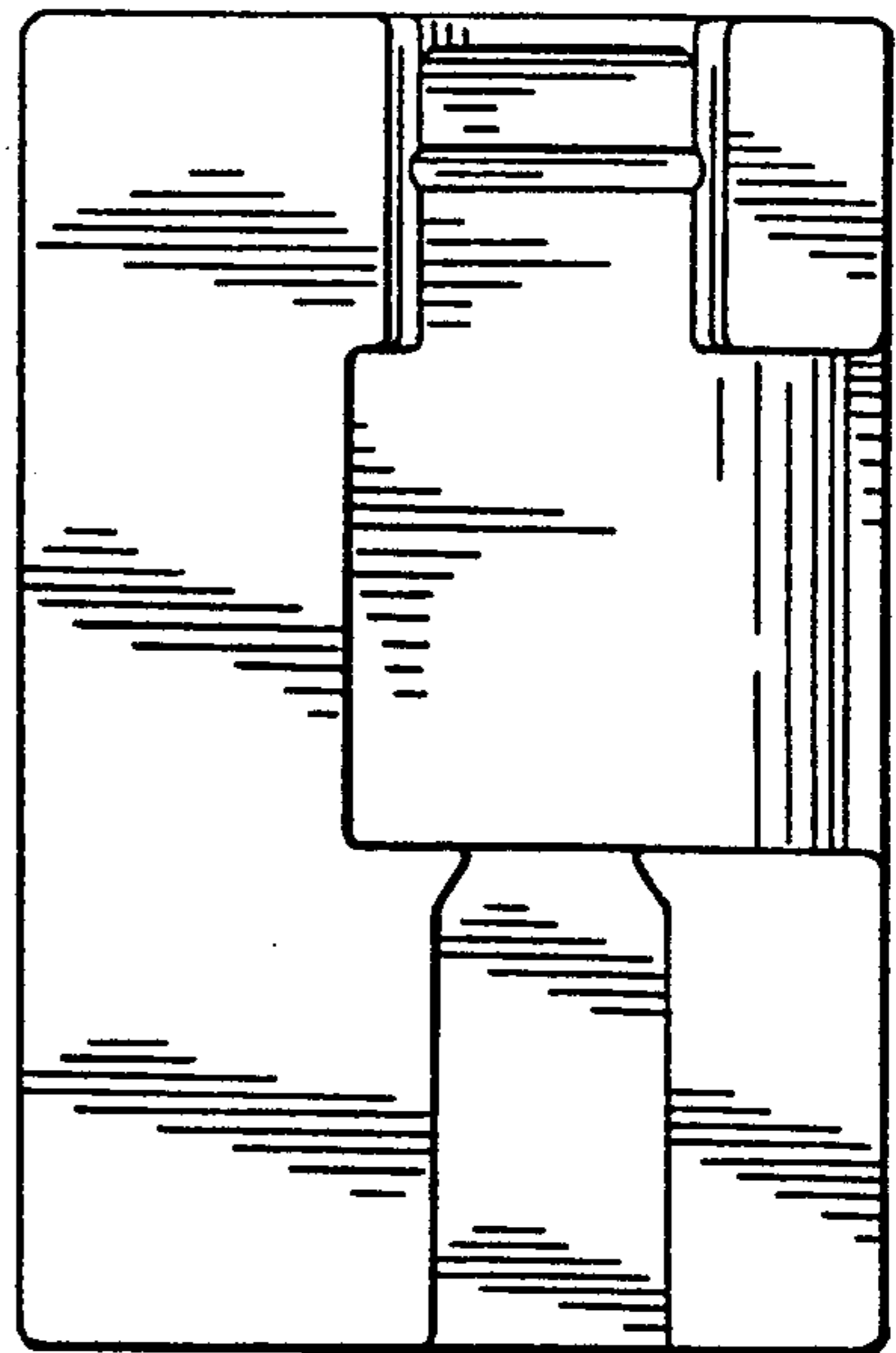
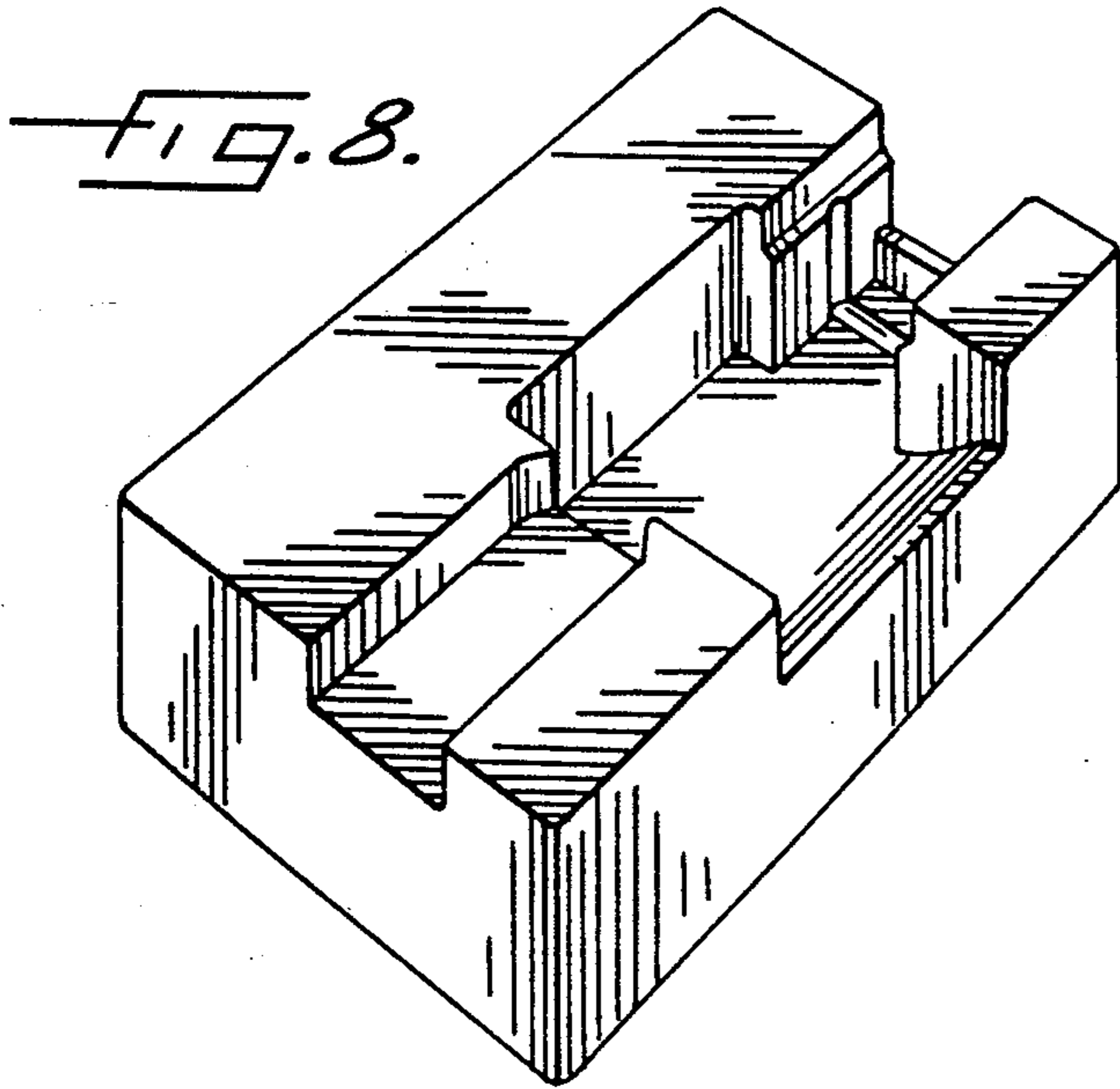


FIG. 10.

FIG. 11.

FIG. 12.

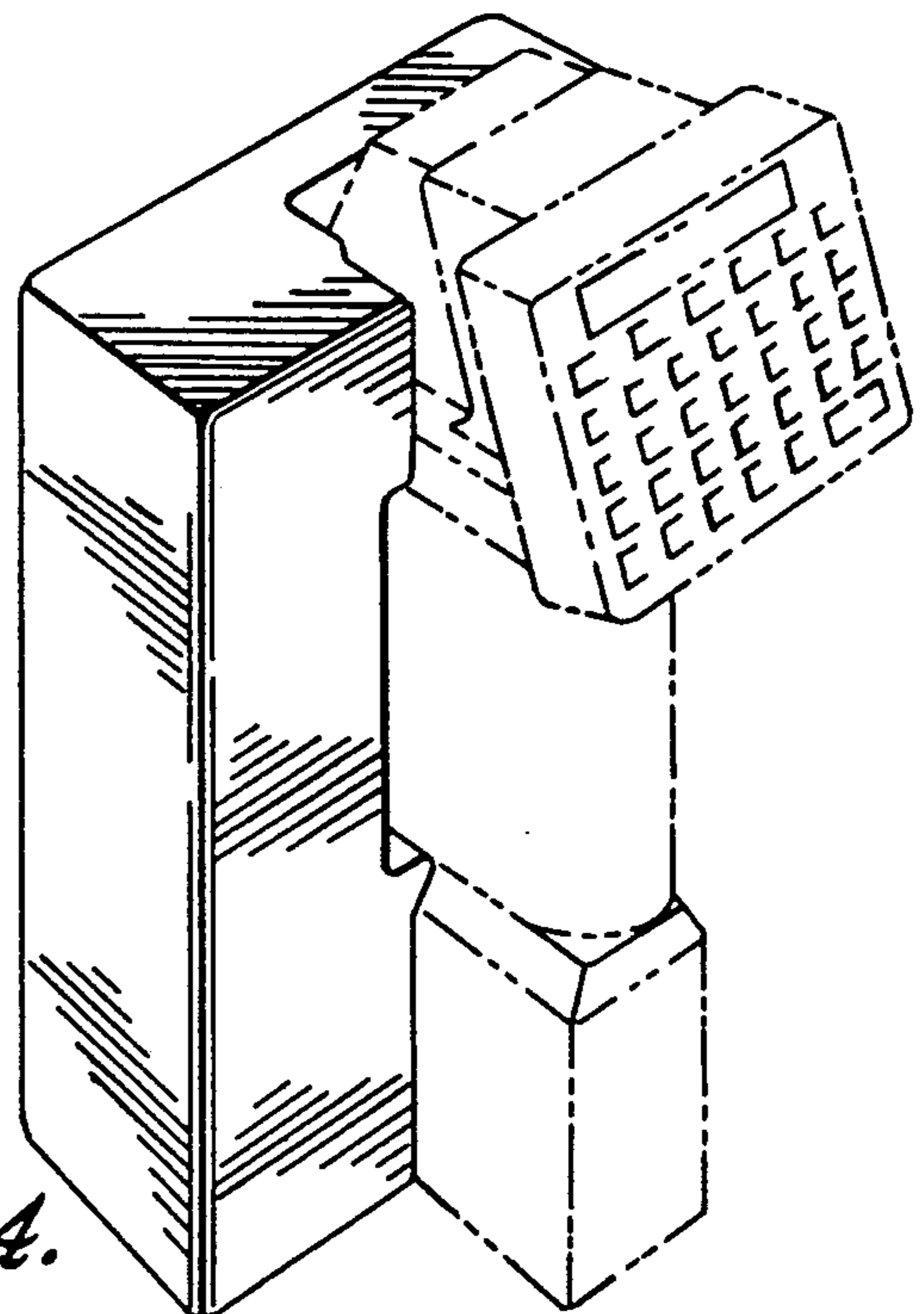
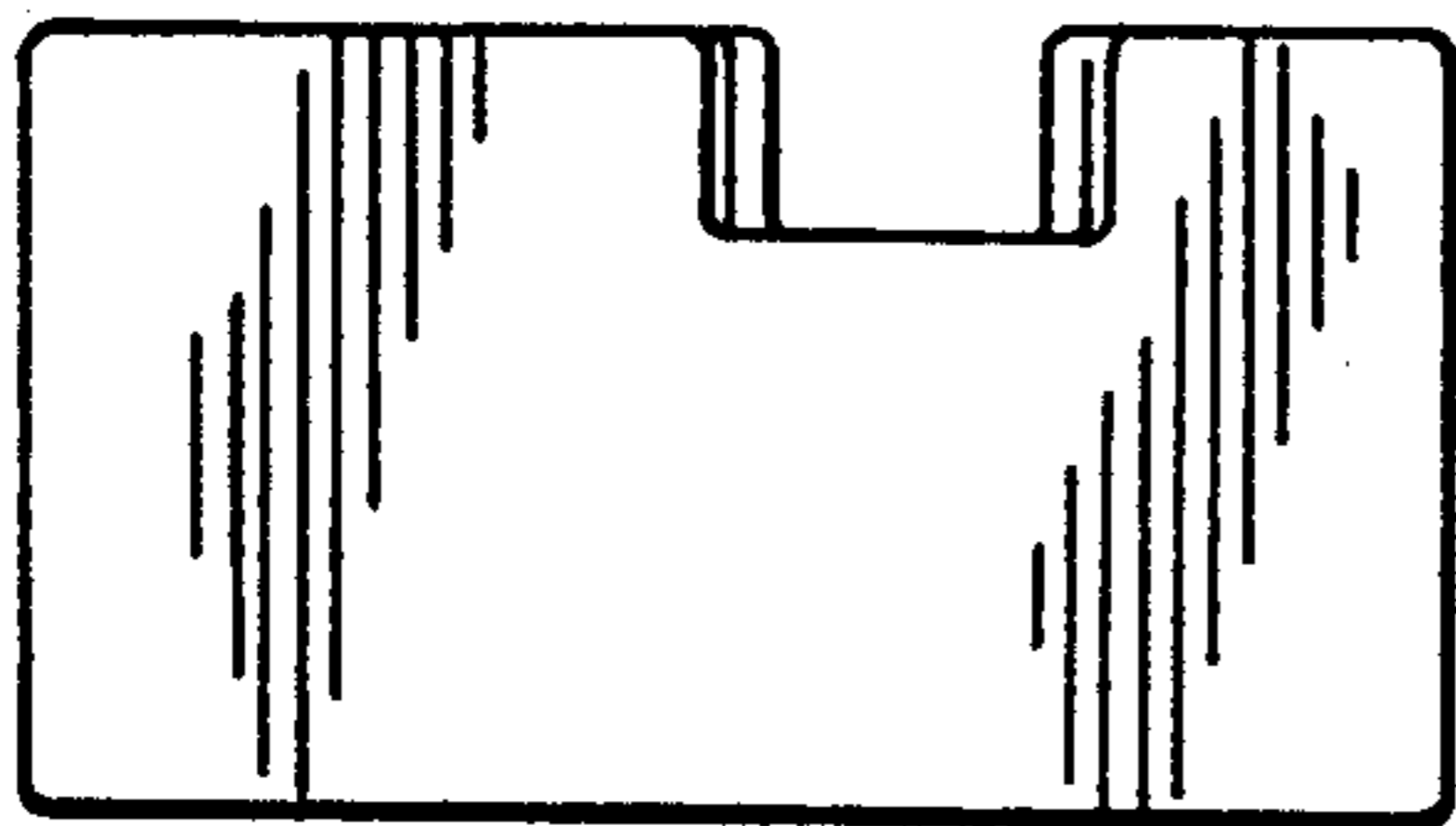


FIG. 13.

FIG. 14.

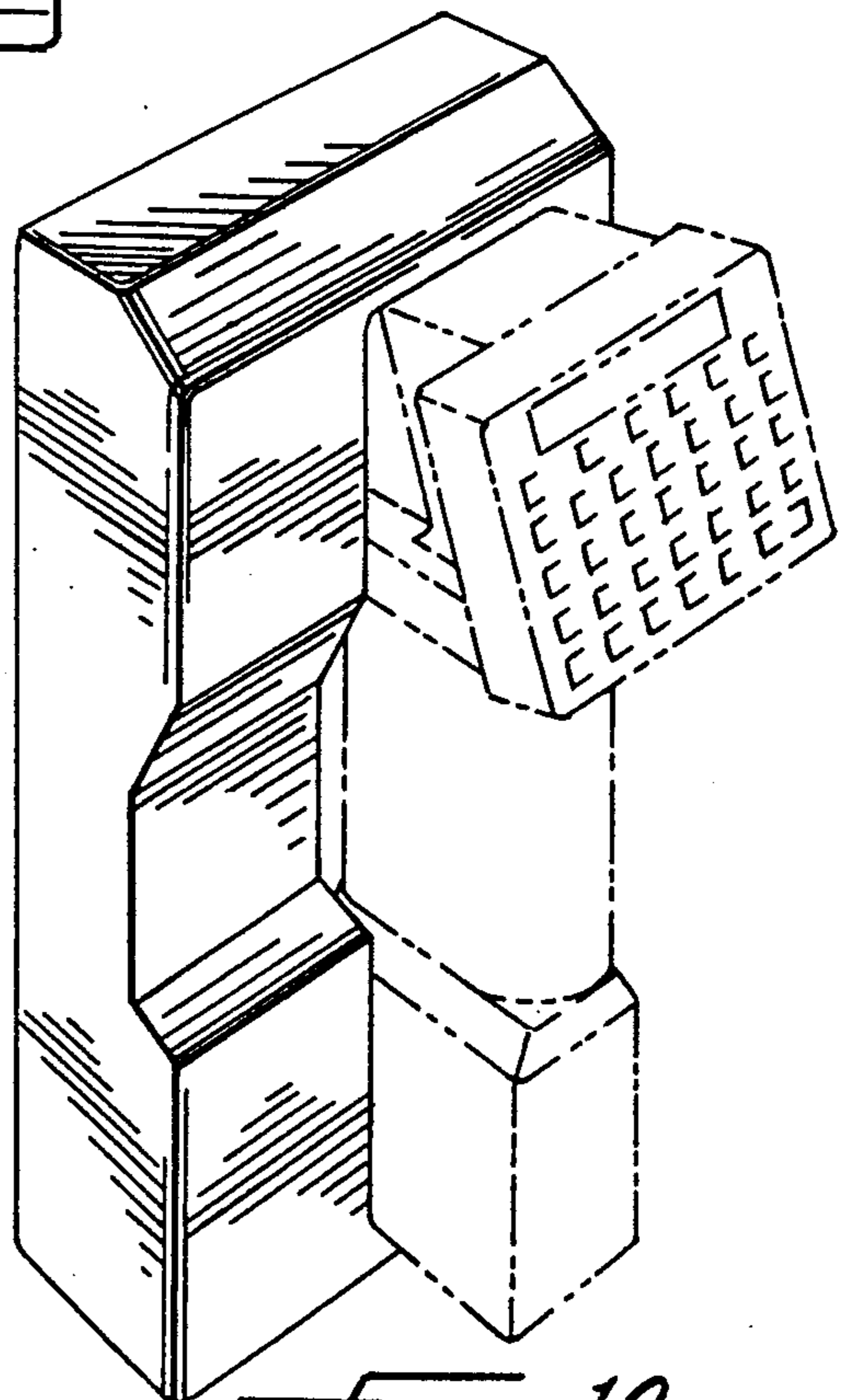
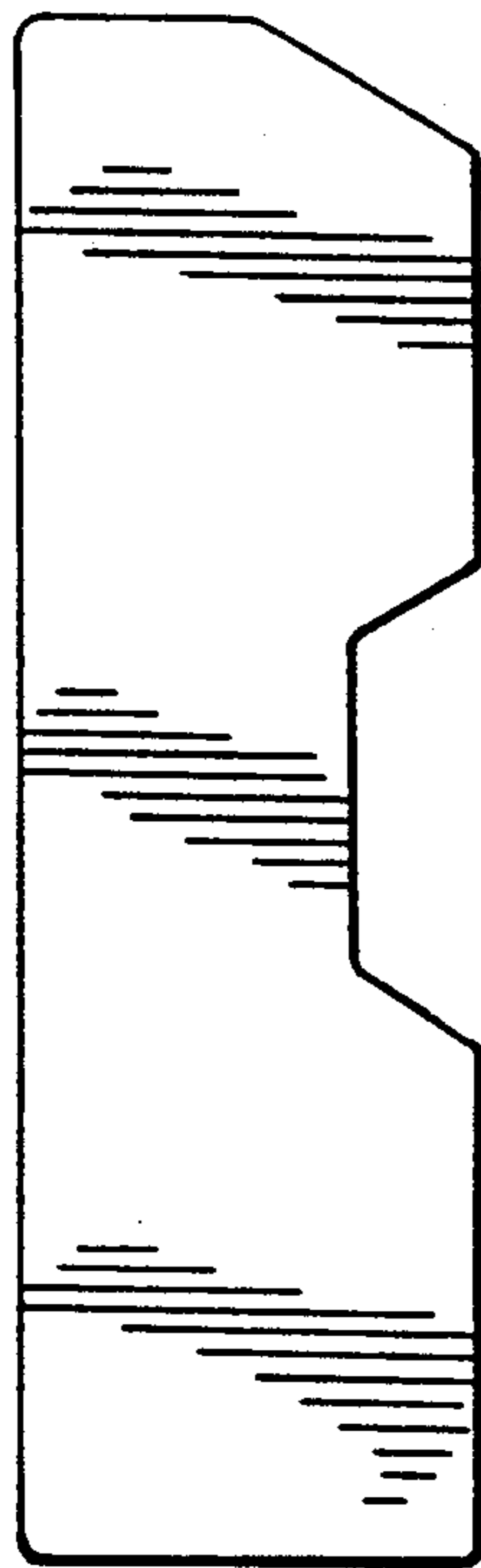
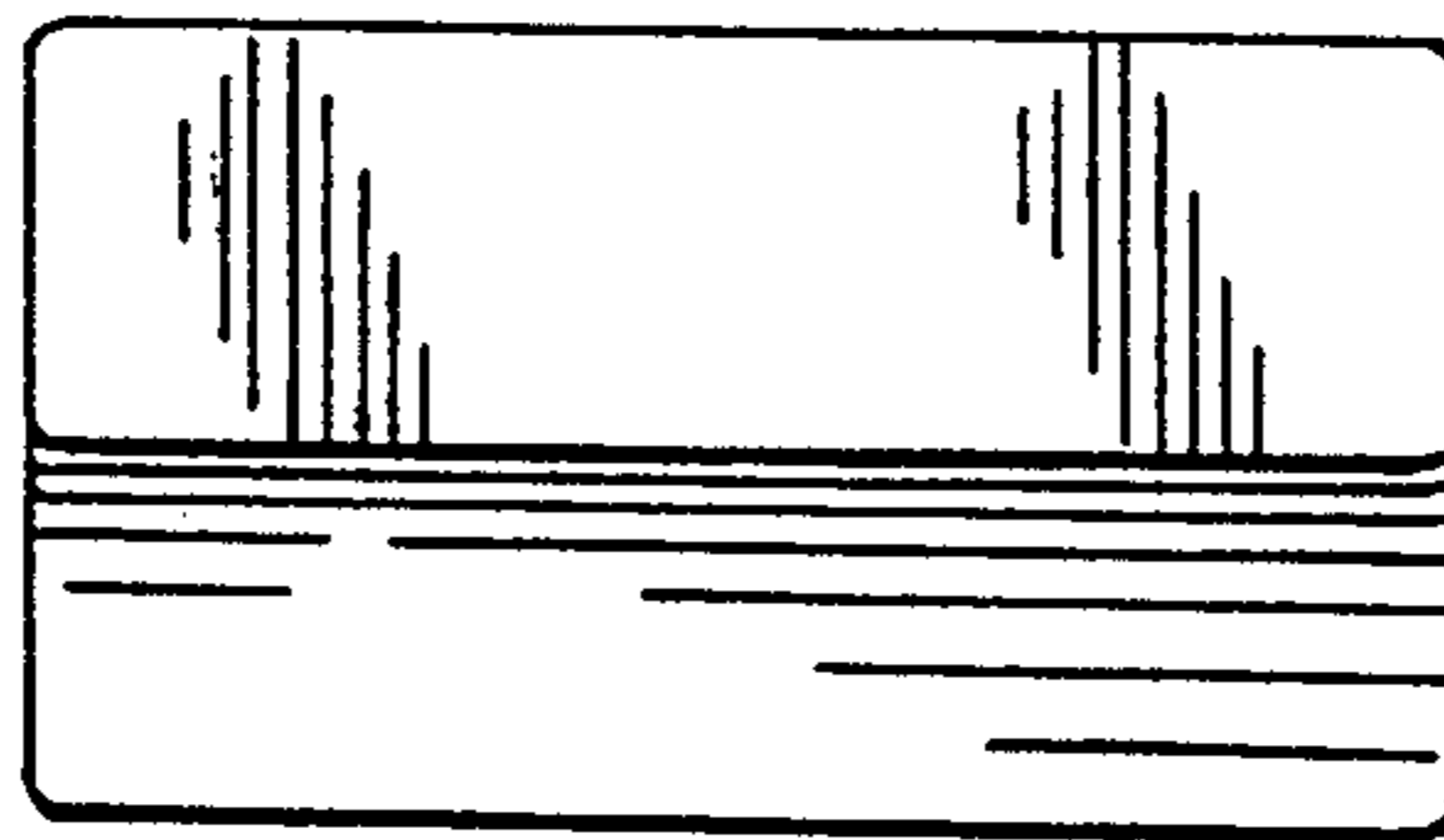
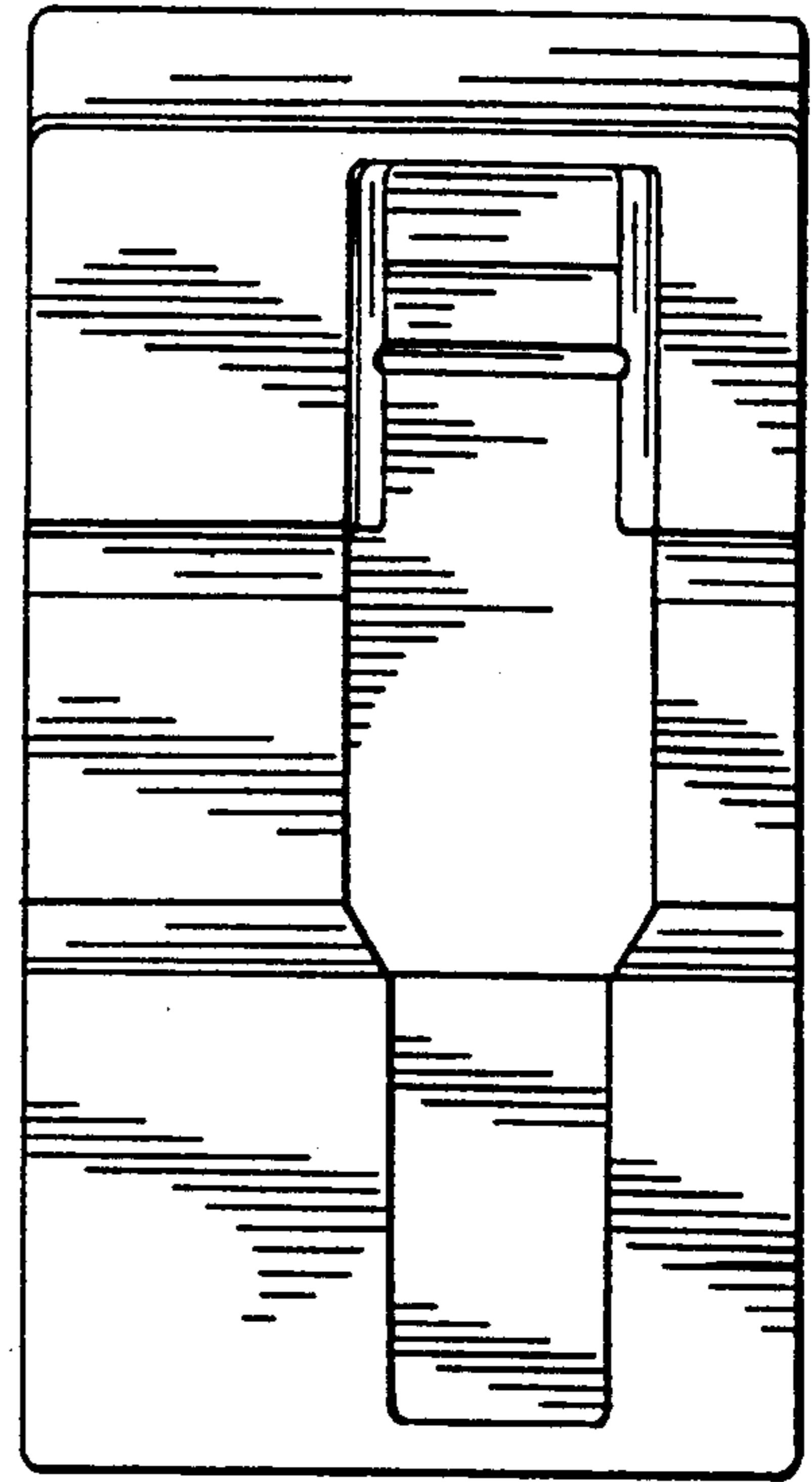
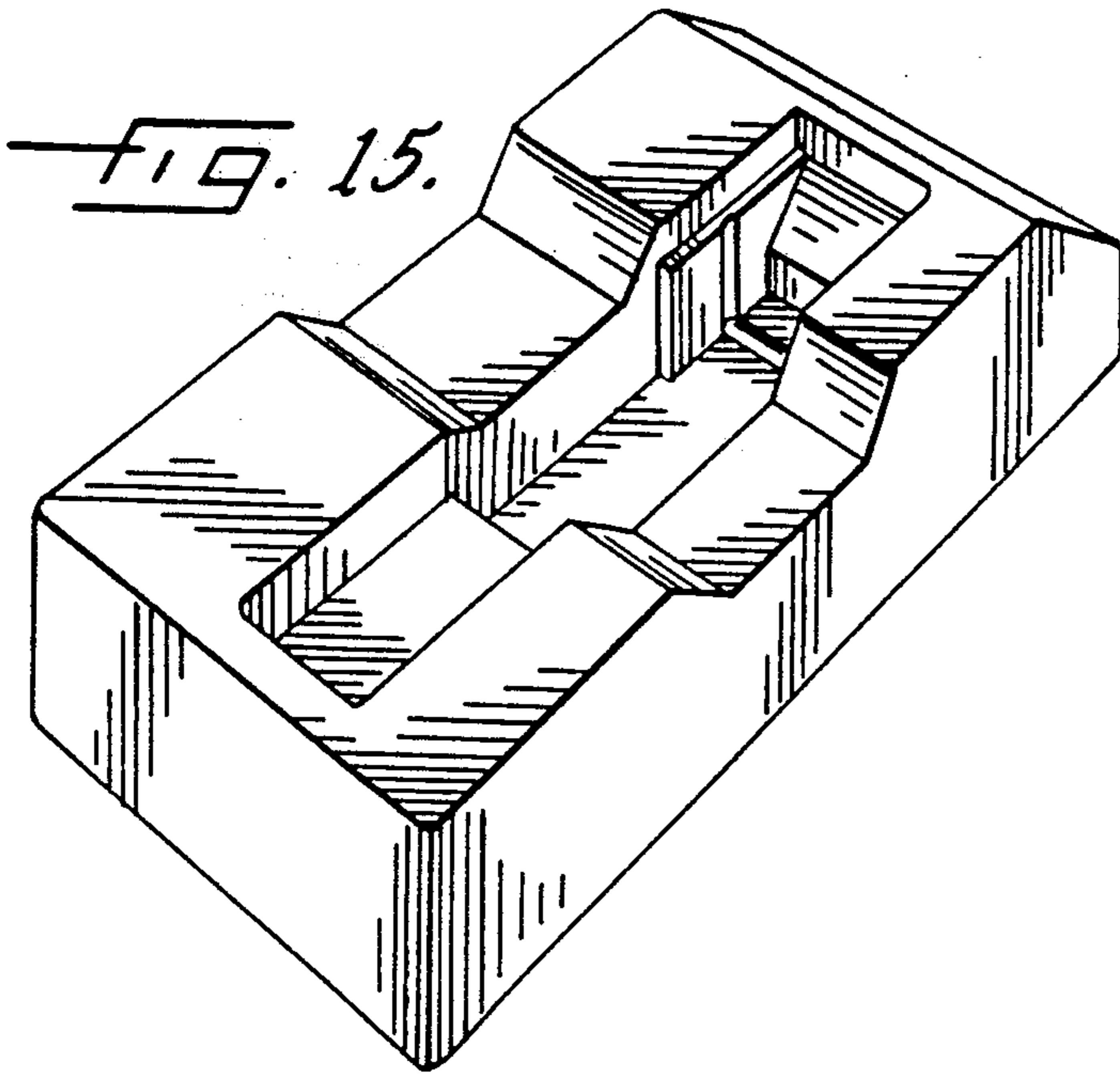


FIG. 18.

FIG. 19.