

[54] TELECOMMUNICATIONS CONNECTOR

[75] Inventor: Jay Gartwhaite, Coupeville, Wash.

[73] Assignee: Leviton Manufacturing Co., Inc., Little Neck, N.Y.

[**] Term: 14 Years

[21] Appl. No.: 281,317

[22] Filed: Dec. 7, 1988

[52] U.S. Cl. D13/151; D13/133

[58] Field of Search D13/133, 151; 439/641, 439/644

[56] References Cited

U.S. PATENT DOCUMENTS

1,492,348 4/1924 Benjamin et al. 439/641
4,648,682 3/1987 Tubbs D13/133

FOREIGN PATENT DOCUMENTS

26651 7/1913 United Kingdom 439/644

OTHER PUBLICATIONS

Burndy Electronic Products Data & Telecommunications Connectors Cat., Section F, p. 4, #1, Coaxial Connector, top right side of page.

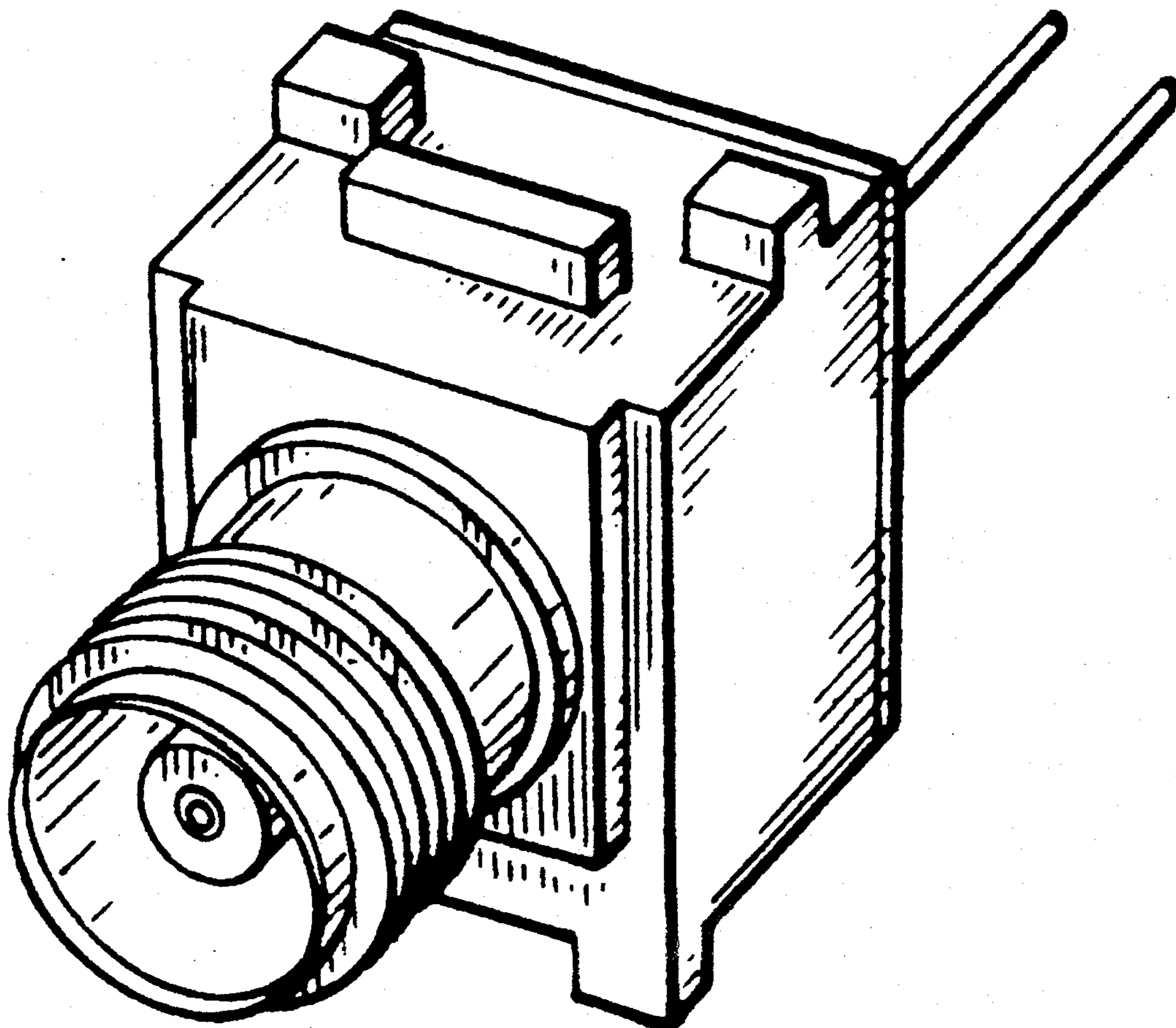
Primary Examiner—James M. Gandy
Assistant Examiner—Lisa Lichtenstein
Attorney, Agent, or Firm—Paul J. Sutton

[57] CLAIM

The ornamental design for a telecommunications connector, as shown and described.

DESCRIPTION

FIG. 1 is a right side perspective view of a telecommunications connector, showing my new design; FIG. 2 is a front elevation view thereof; FIG. 3 is a rear elevation view thereof; FIG. 4 is a top plan view thereof; FIG. 5 is a bottom plan view thereof; and FIG. 6 is a right side elevation view thereof, the left side elevation view being substantially a mirror image thereof.



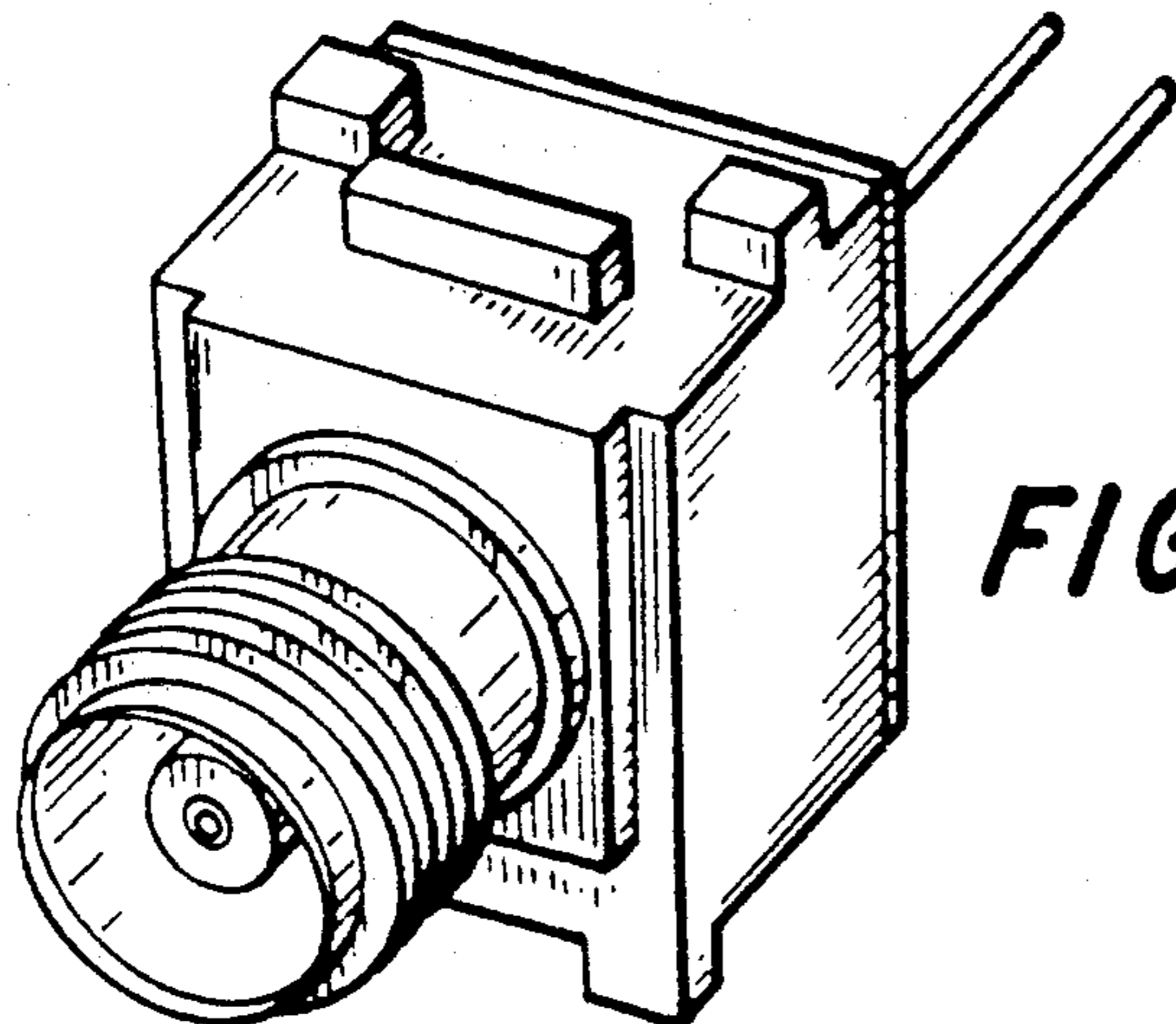


FIG. 1

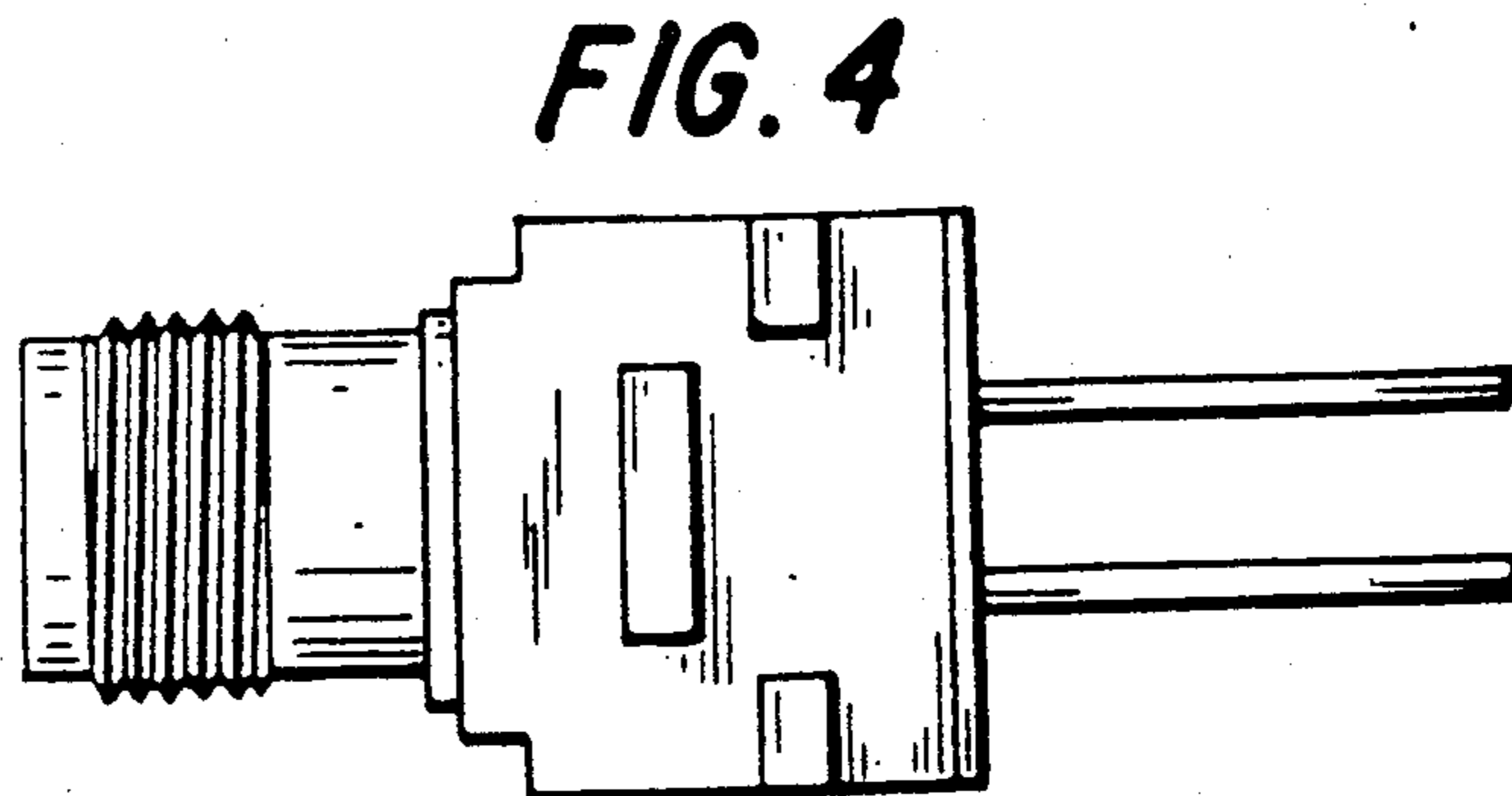


FIG. 4

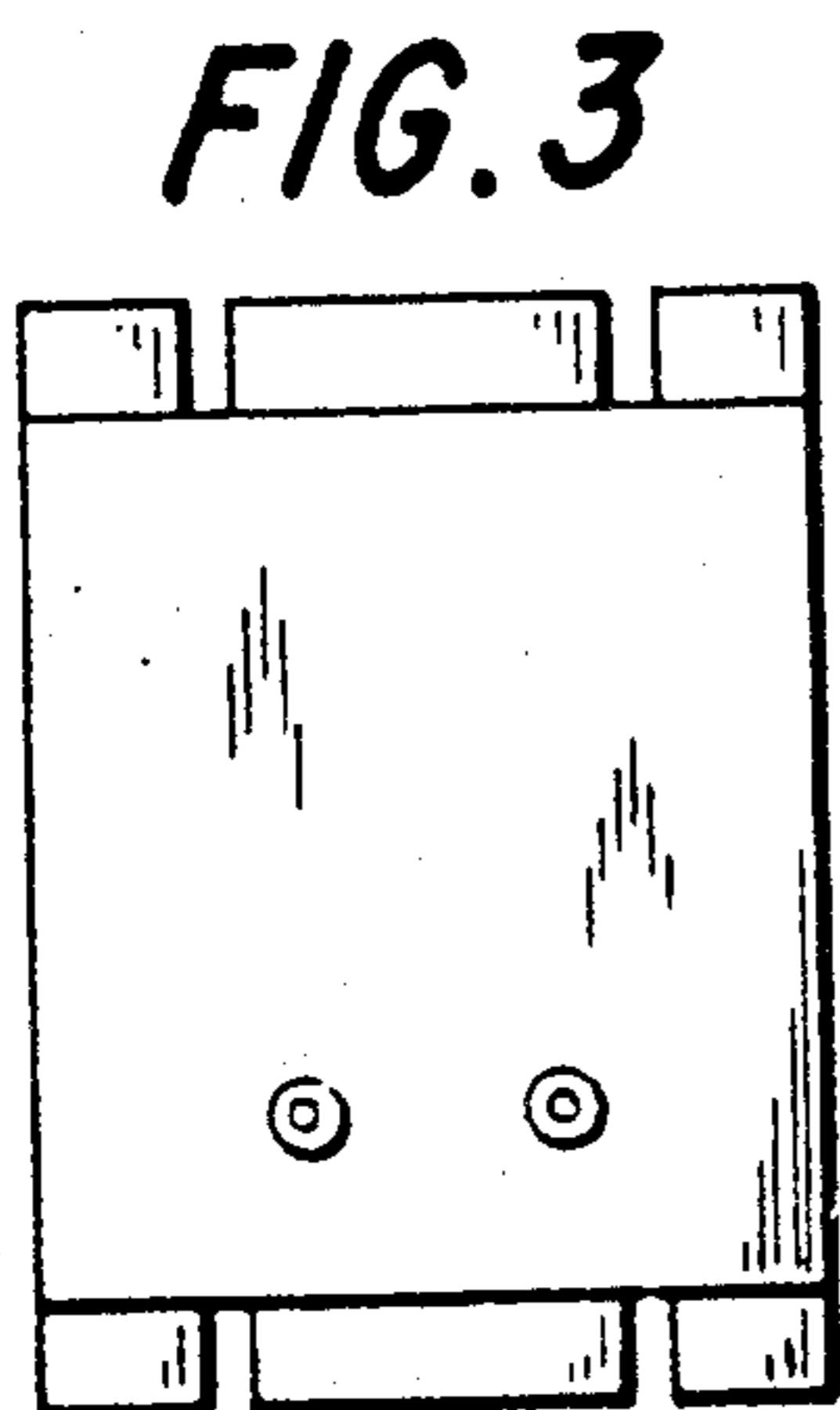


FIG. 3

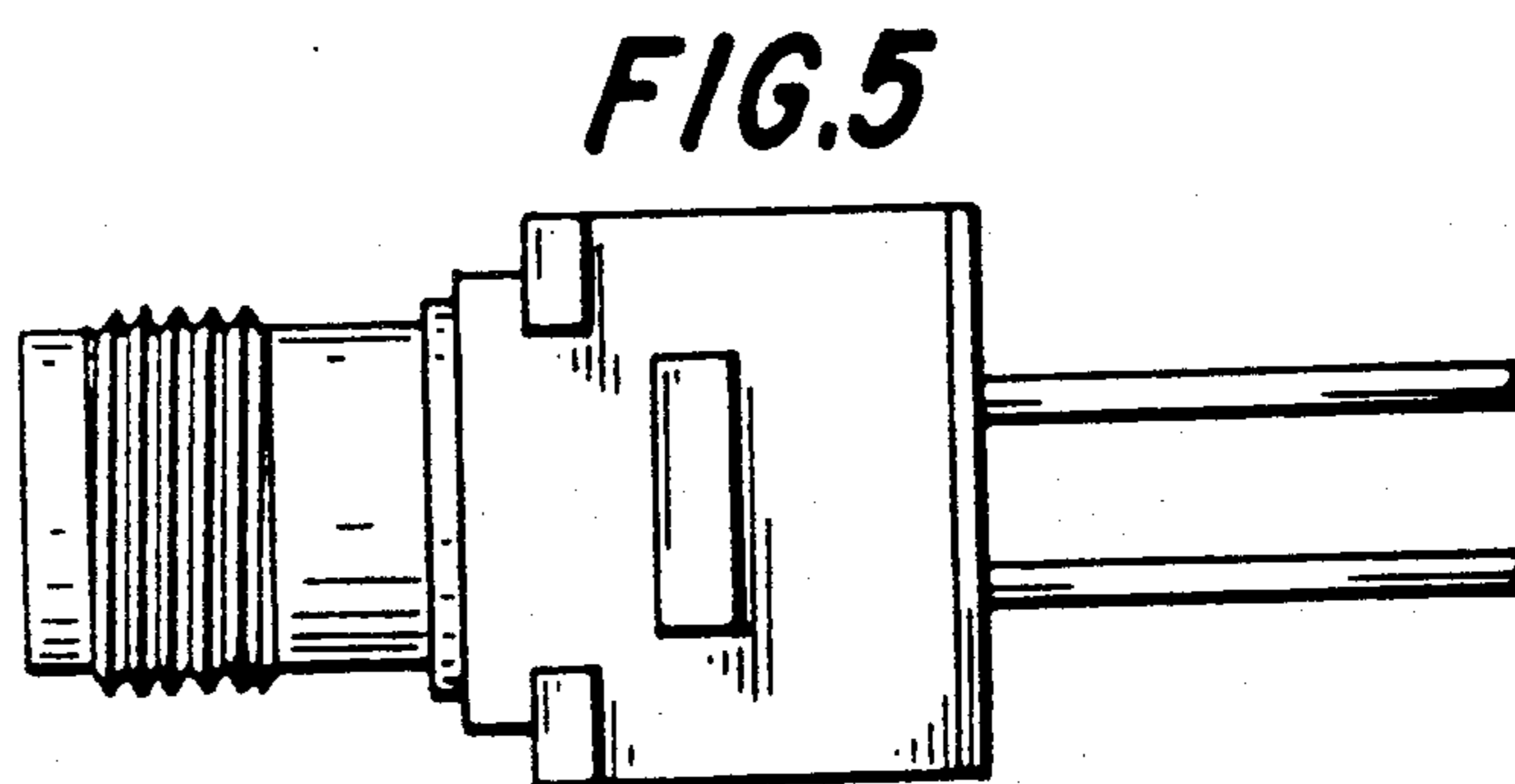


FIG. 5

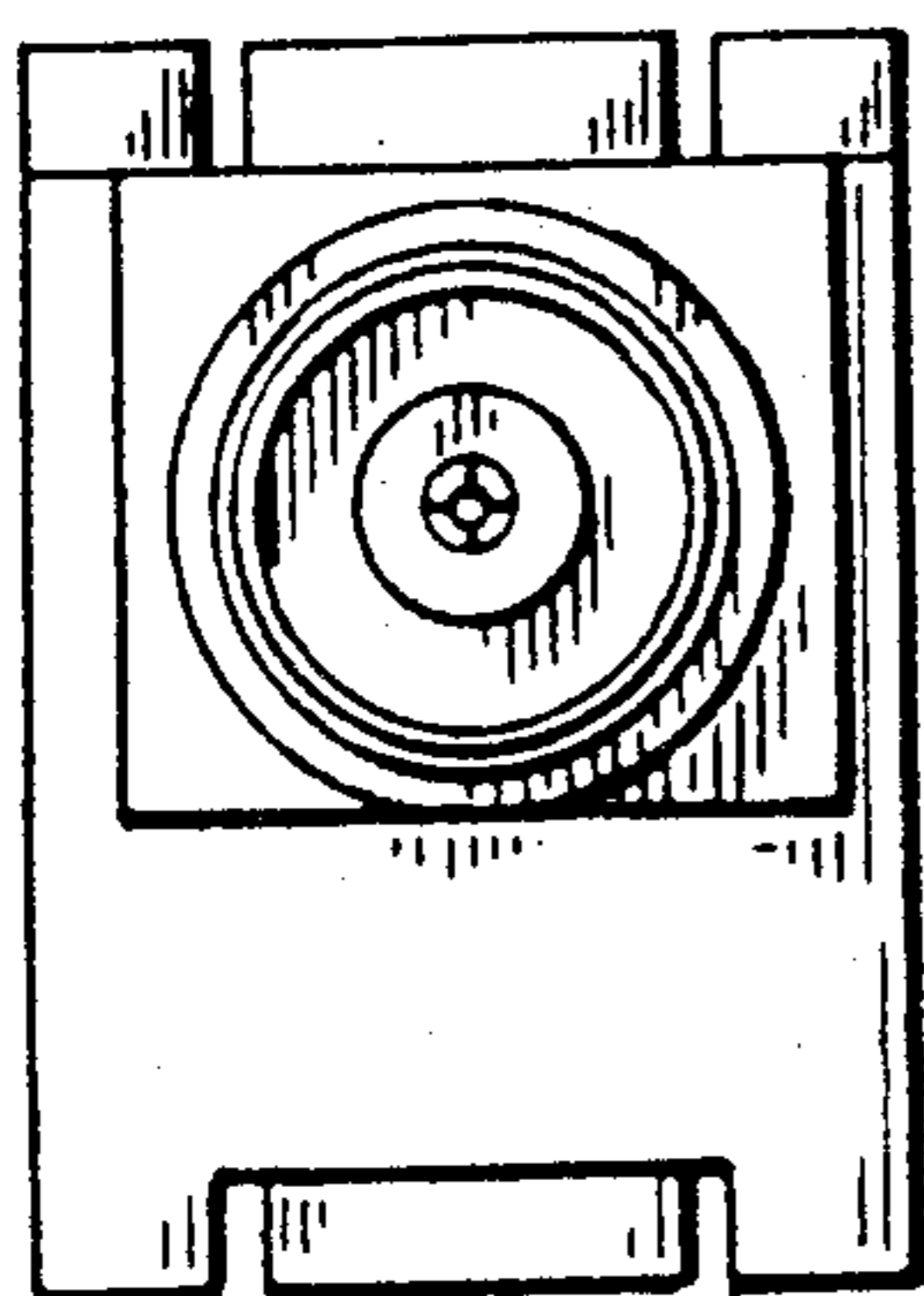


FIG. 2

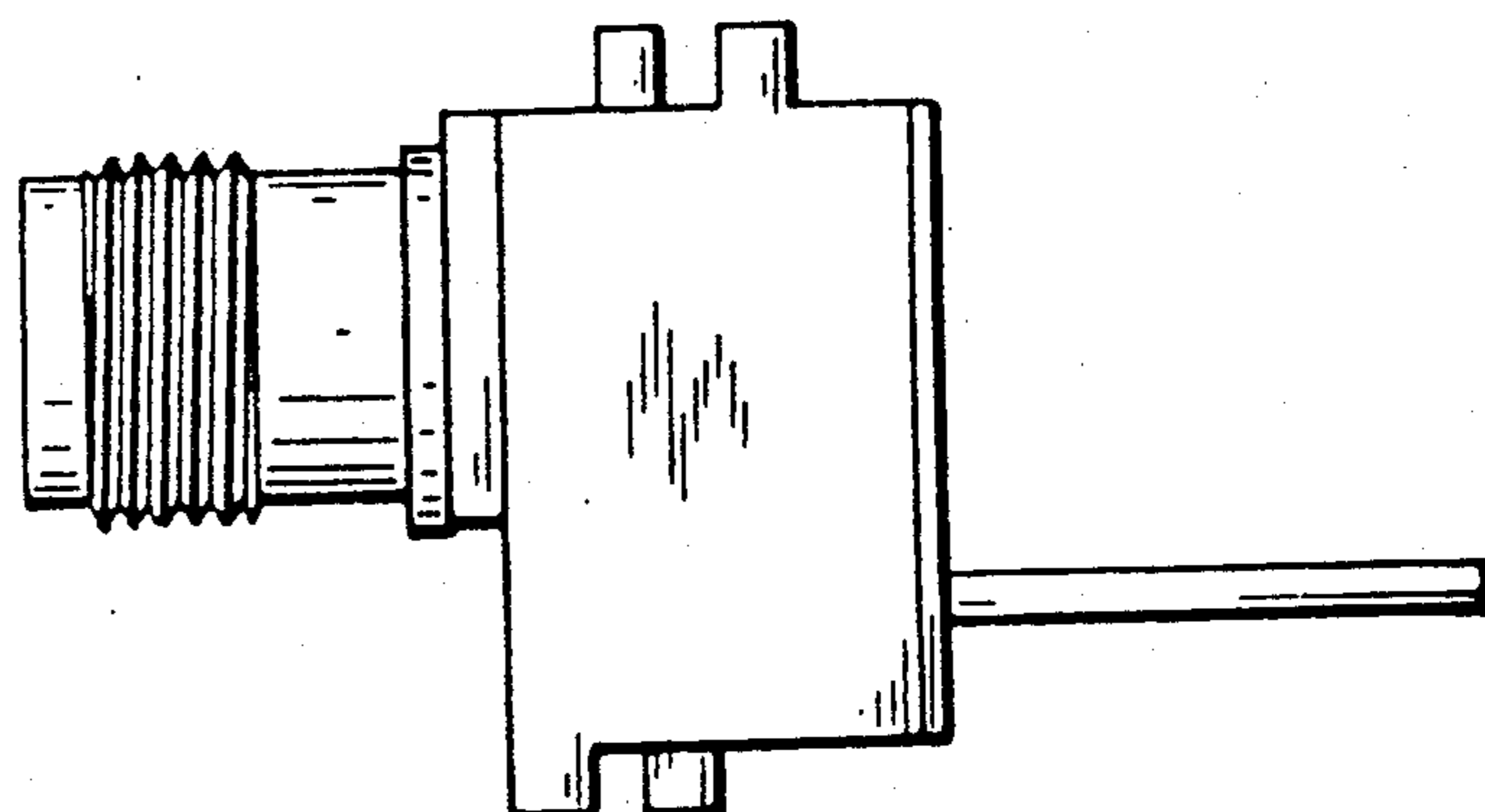


FIG. 6