

[54] CONNECTOR HOUSING FOR A NOISE ELIMINATOR

2308219 11/1976 France ..... 439/350

[75] Inventors: Shizuo Tsubokura; Kunio Hoshino; Itsuo Takayanagi, all of Shizuoka, Japan

[73] Assignee: Yazaki Corporation, Japan

[\*\*] Term: 14 Years

[21] Appl. No.: 242,053

[22] Filed: Sep. 8, 1988

[30] Foreign Application Priority Data

Mar. 10, 1988 [JP] Japan ..... 63-9523

[52] U.S. Cl. .... D13/147

[58] Field of Search ..... D13/123, 133, 146, 147; 439/353, 344, 357, 544, 550, 571, 572, 586, 587, 595, 603, 660, 682, 685, 686, 687, 695, 696, 701

[56] References Cited

U.S. PATENT DOCUMENTS

4,797,116 1/1989 Isohata et al. .... 439/595 X

FOREIGN PATENT DOCUMENTS

1545618 11/1968 France ..... 439/682

OTHER PUBLICATIONS

Connector in FIG. 2 of IBM Tech. Disclosure Bulletin, vol. 16, No. 12, 5-74.

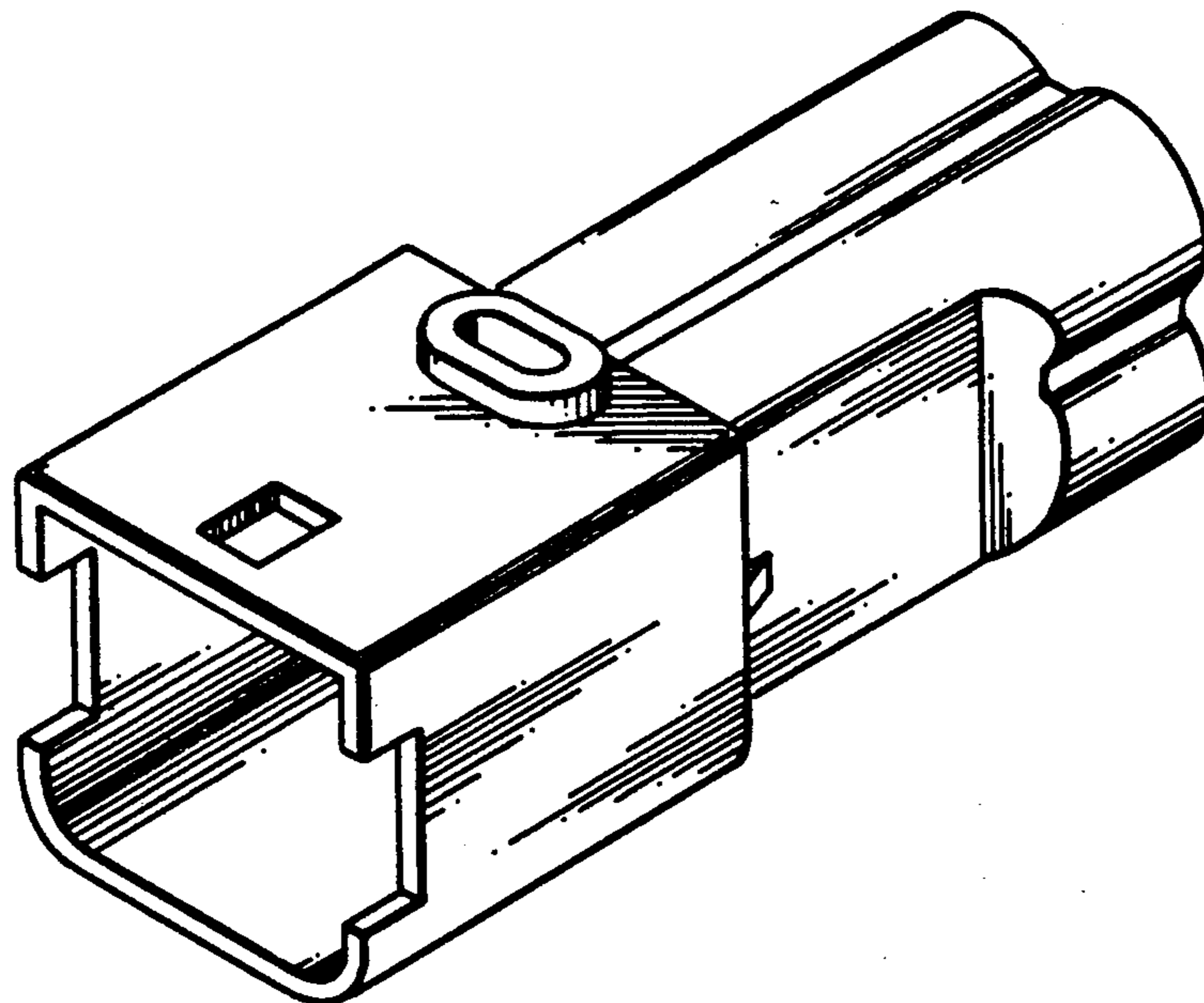
Primary Examiner—Susan J. Lucas  
Assistant Examiner—Joel Sincavage  
Attorney, Agent, or Firm—Jones, Askew & Lunsford

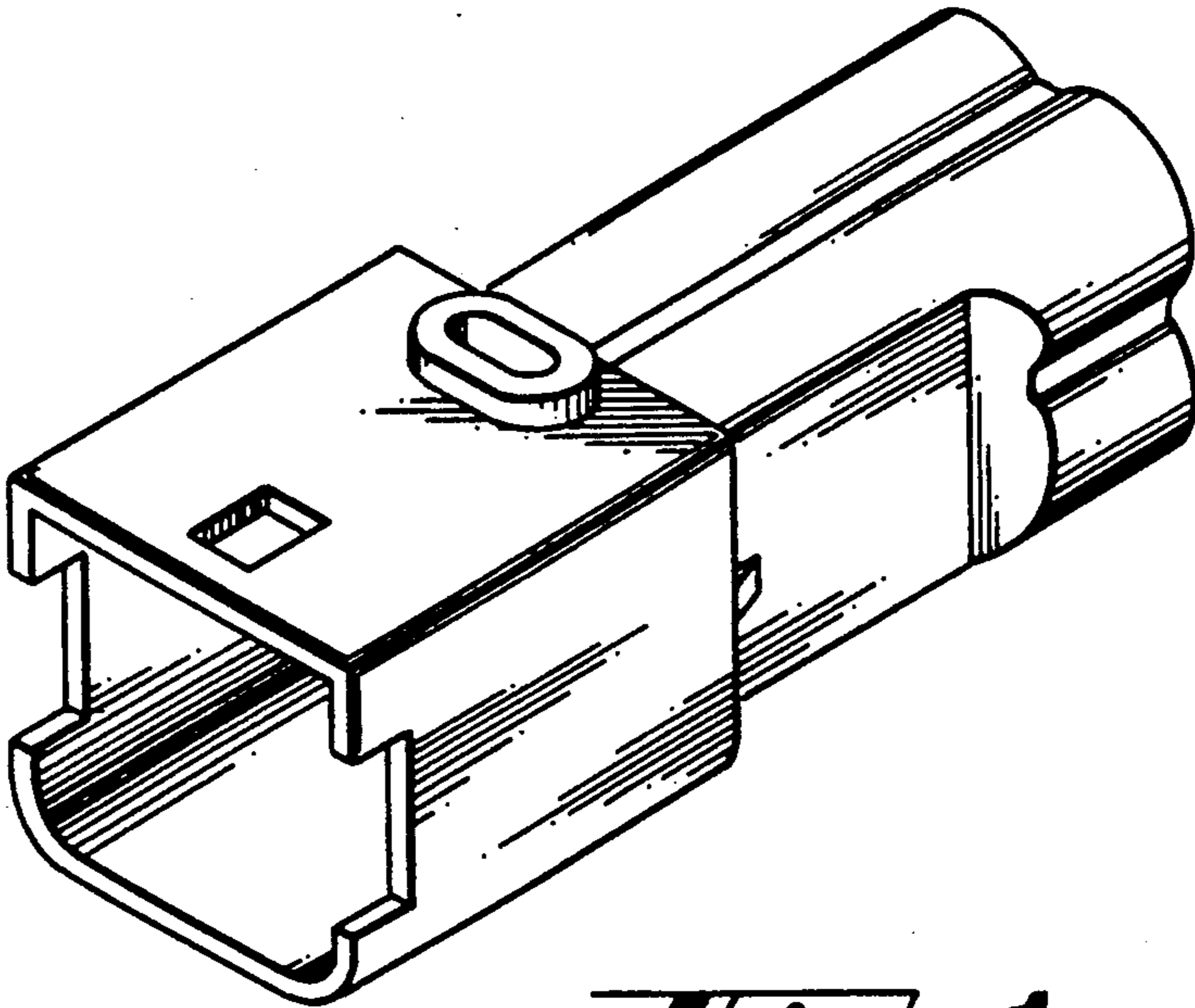
[57] CLAIM

The ornamental design for a connector housing for a noise eliminator, as shown and described.

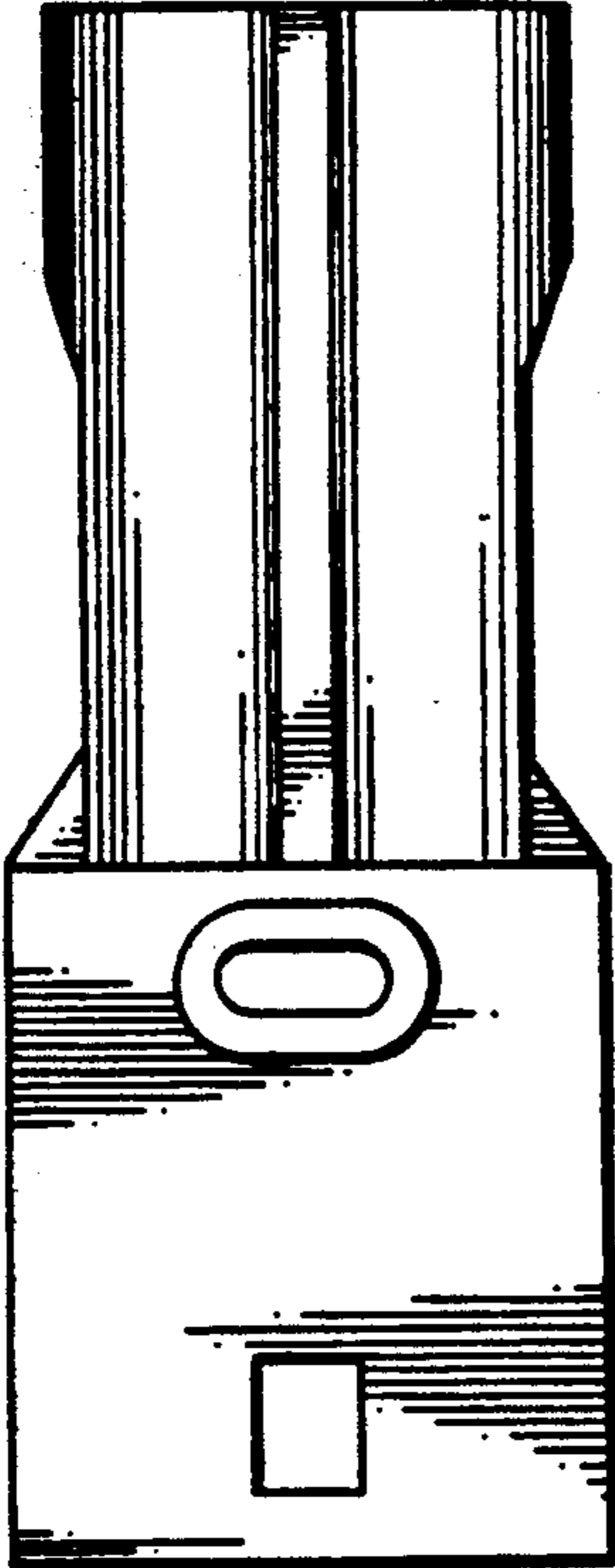
DESCRIPTION

FIG. 1 is a perspective view of a connector housing for a noise eliminator showing our new design; FIG. 2 is a front elevational view thereof; FIG. 3 is a right side elevational view thereof, the left side elevational view thereof being a mirror image; FIG. 4 is a top plan view thereof; FIG. 5 is a bottom plan view thereof; FIG. 6 is a rear elevational view thereof; FIG. 7 is a cross-sectional view thereof taken along line 7-7 of FIG. 2; FIG. 8 is a cross-sectional view thereof taken along line 8-8 of FIG. 2.





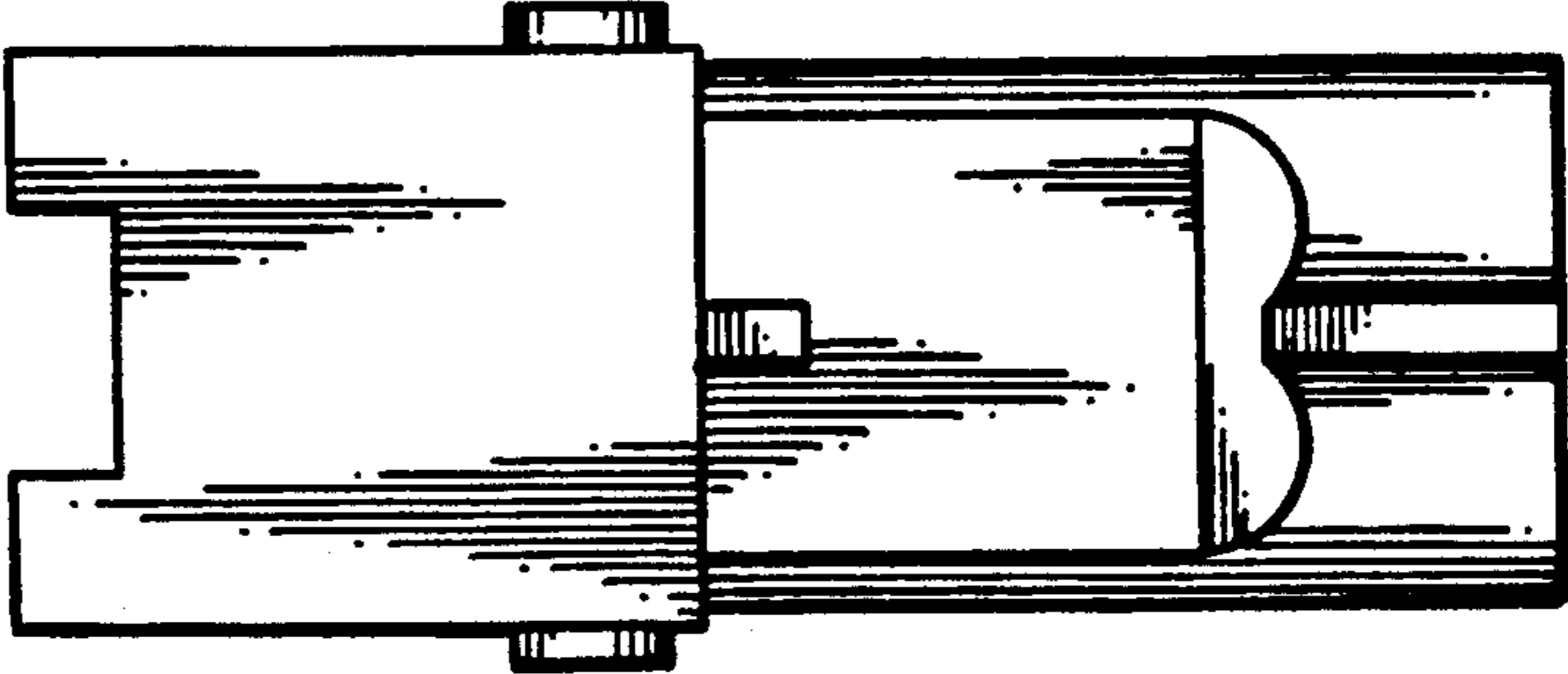
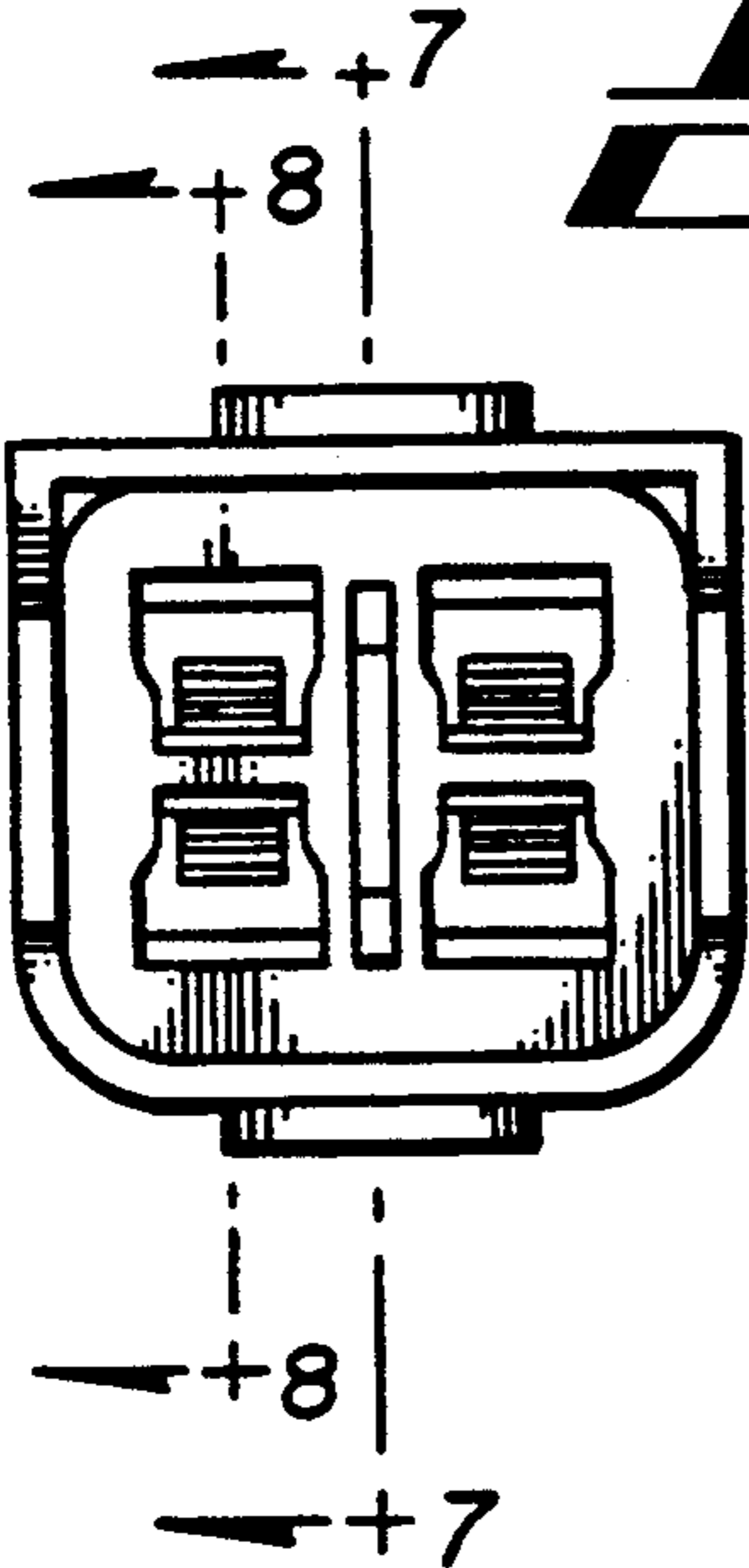
*Fig. 1*

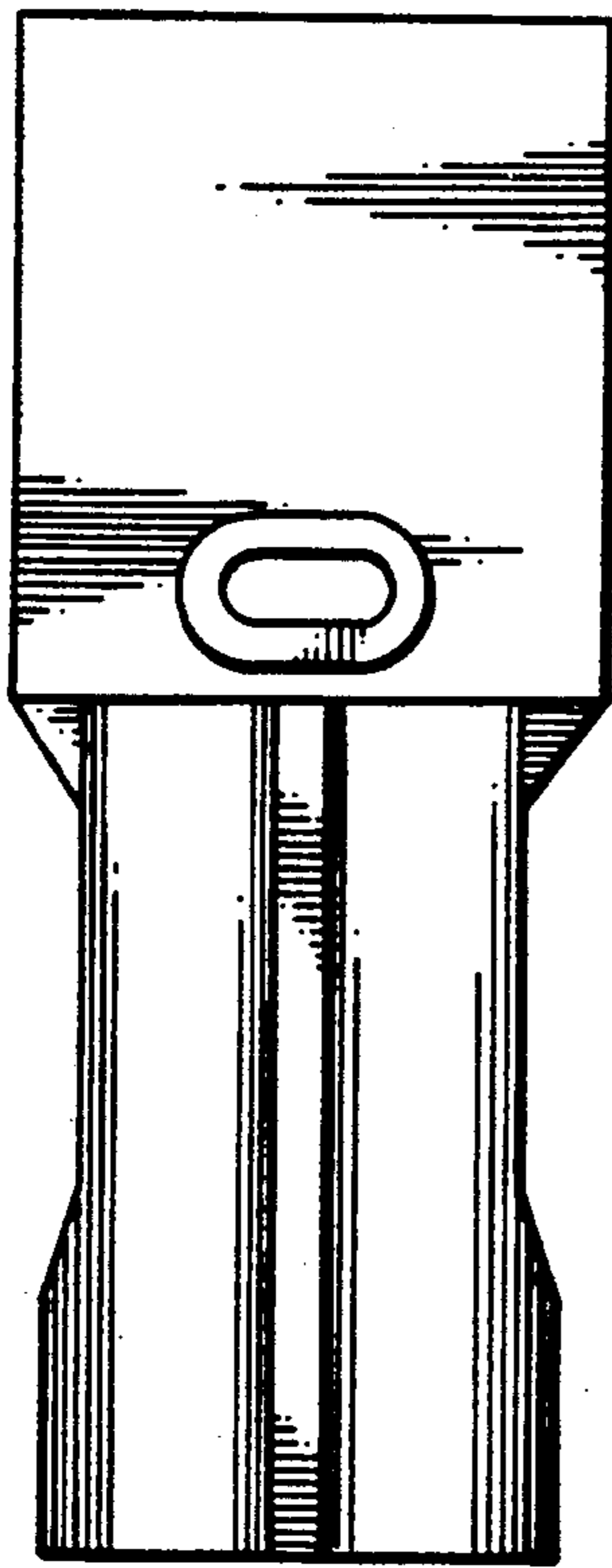


*Fig. 4*

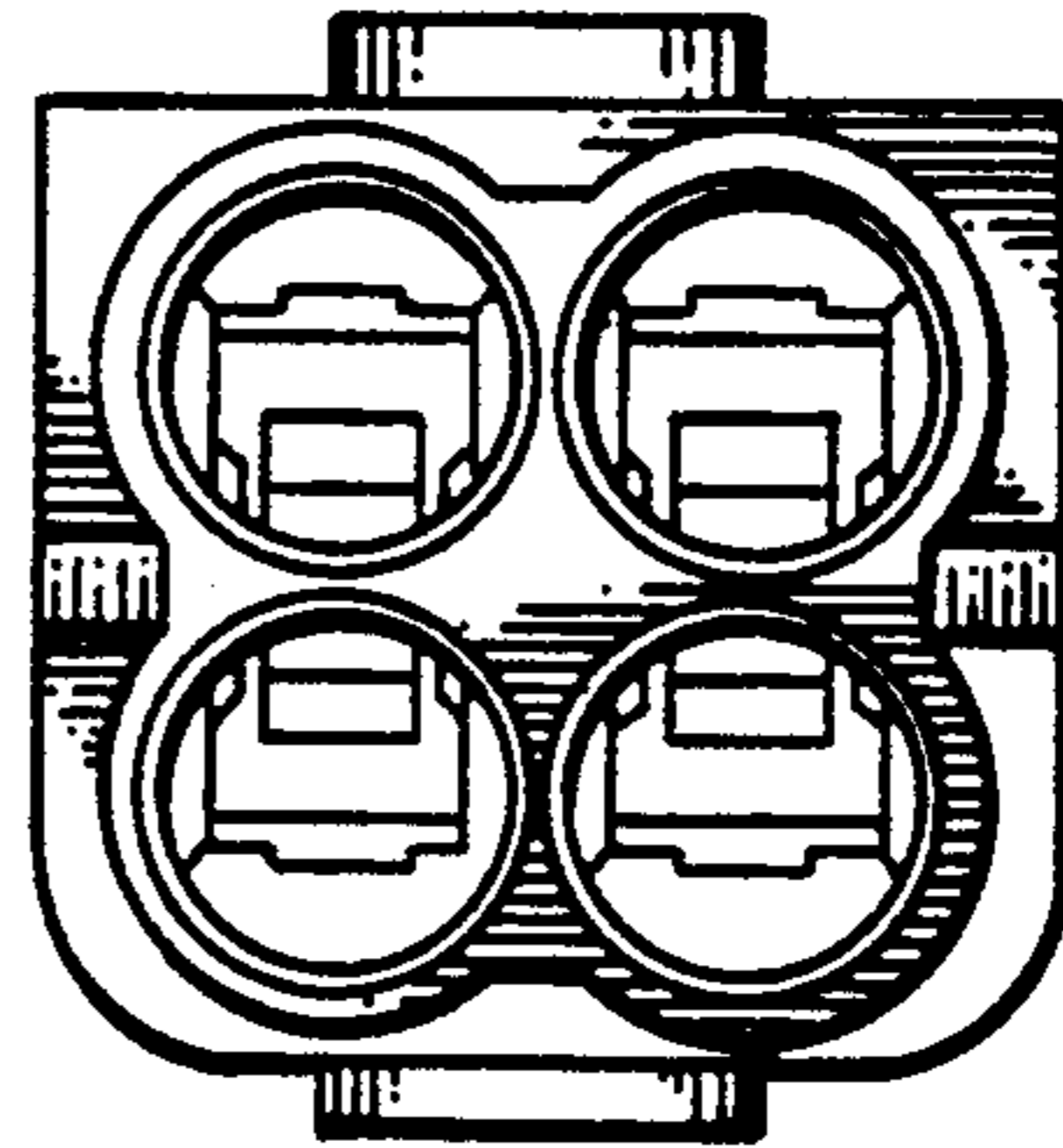
*Fig. 2*

*Fig. 3*



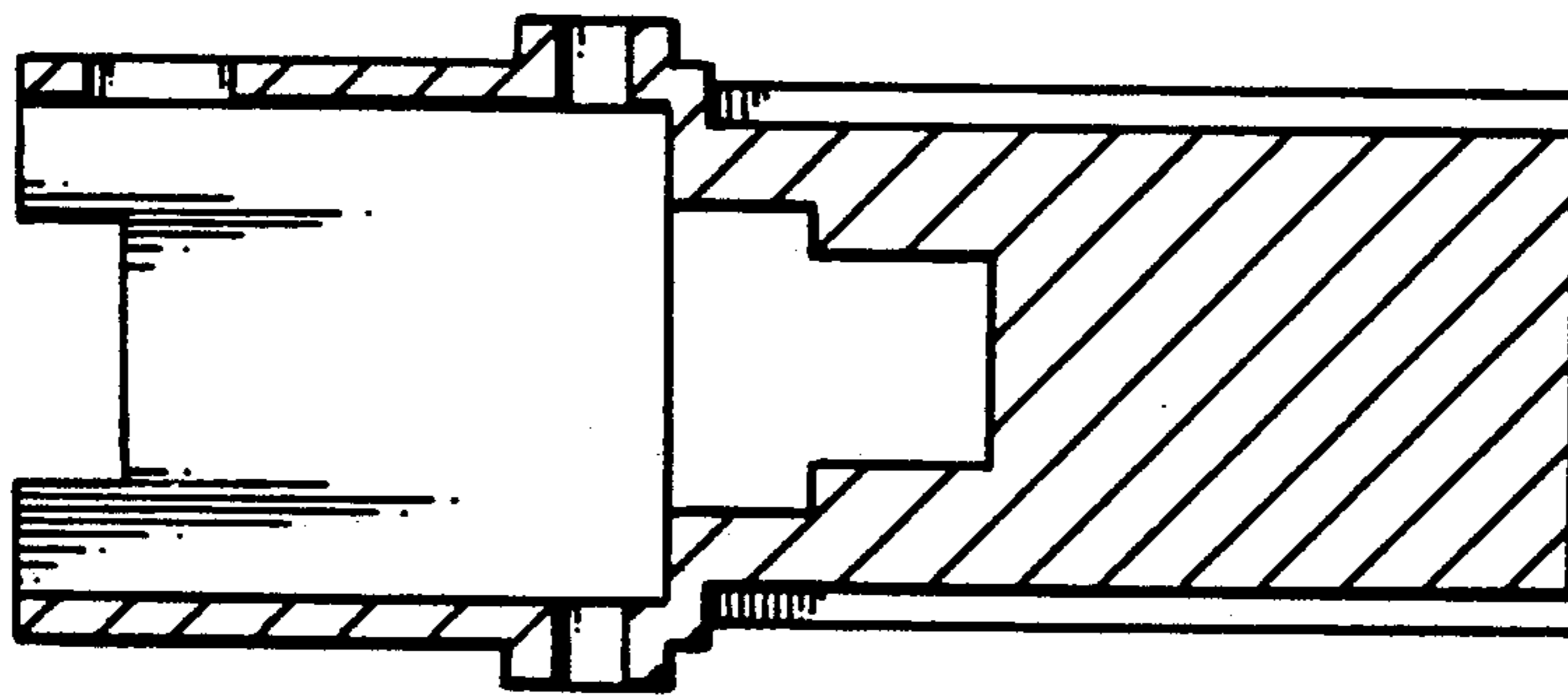


**Fig. 5**



**Fig. 6**

**Fig. 7**



**Fig. 8**

