

[54] ELECTRICAL CONNECTOR HOUSING

[75] Inventors: Kenji Takenouchi; Toshihiko Makita; Teruhisa Norizuki, all of Shizuoka, Japan

[73] Assignee: Yazaki Corporation, Tokyo, Japan

[**] Term: 14 Years

[21] Appl. No.: 263,125

[22] Filed: Oct. 26, 1988

[30] Foreign Application Priority Data

Apr. 28, 1988 [JP] Japan 63-17050
[52] U.S. Cl. D13/133
[58] Field of Search D13/133, 146, 147; 439/353, 344, 357, 544, 550, 571, 572, 586, 587, 595, 603, 660, 682, 685, 686, 687, 695, 696, 701

[56] References Cited

U.S. PATENT DOCUMENTS

4,354,719 10/1982 Weidler 439/687 X
4,674,814 6/1987 Hoshino et al. 439/586
4,820,198 4/1989 Lulko et al. 439/595
4,832,614 5/1989 Jenkins 439/595

Primary Examiner—Susan J. Lucas
Assistant Examiner—Joel Sincavage
Attorney, Agent, or Firm—McGlew & Tuttle

[57] CLAIM

The ornamental design for an electrical connector housing, as shown and described.

DESCRIPTION

FIG. 1 is a top plan view of an electrical connector housing showing our new design; FIG. 2 is a front elevational view thereof; FIG. 3 is a bottom plan view thereof; FIG. 4 is a left side elevational view thereof; FIG. 5 is a right side elevational view thereof; FIG. 6 is a rear elevational view thereof; FIG. 7 is a perspective view thereof, looking from front side; FIG. 8 is a perspective view thereof, looking from rear side; FIG. 9 is a perspective view thereof, looking from the rear side where the terminal holder is removed for the purpose of a complete disclosure; and FIG. 10 is a perspective view thereof, aligned with a mating connector housing. The mating connector shown in broken lines is included for illustrative purposes only and forms no part of the claimed design.

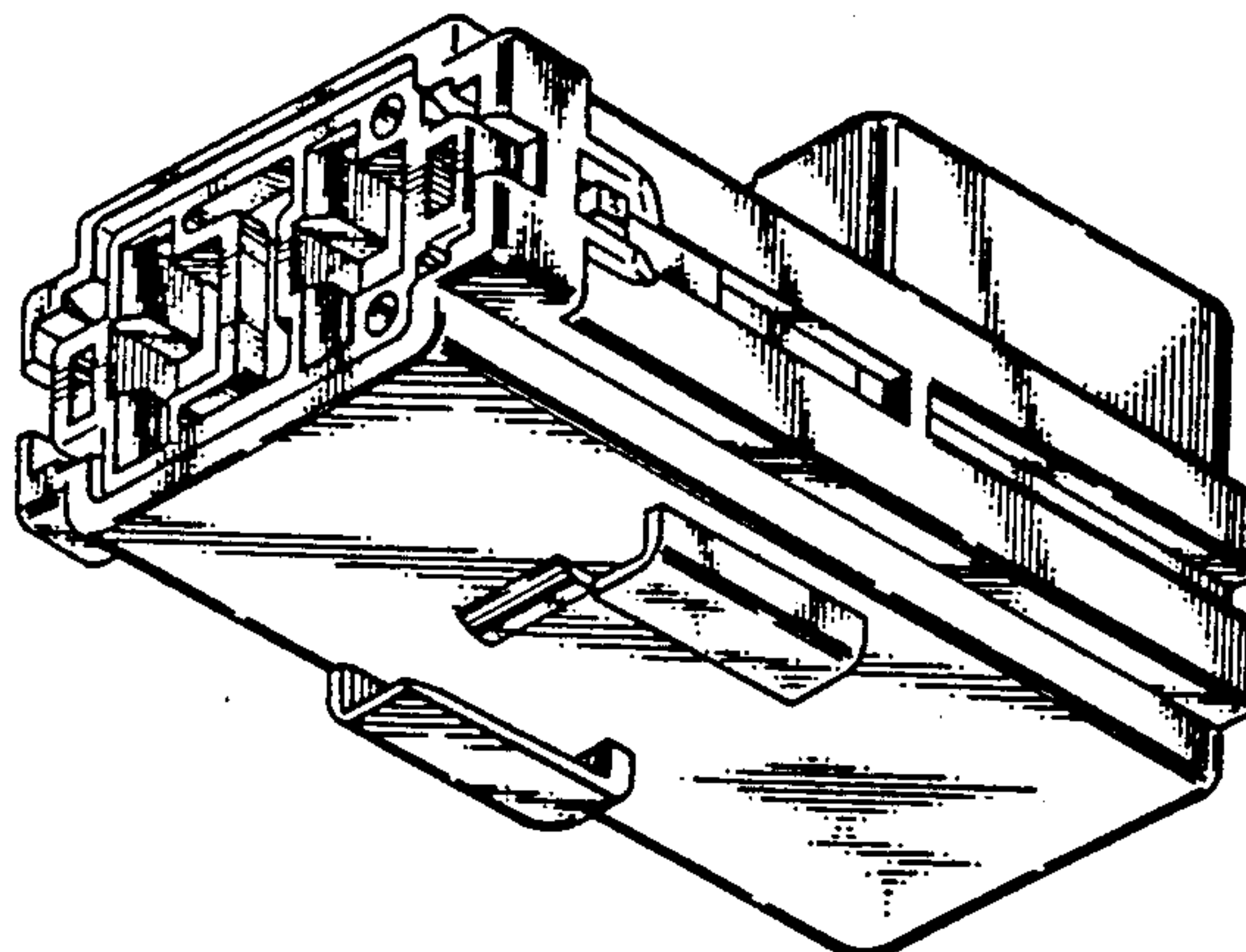
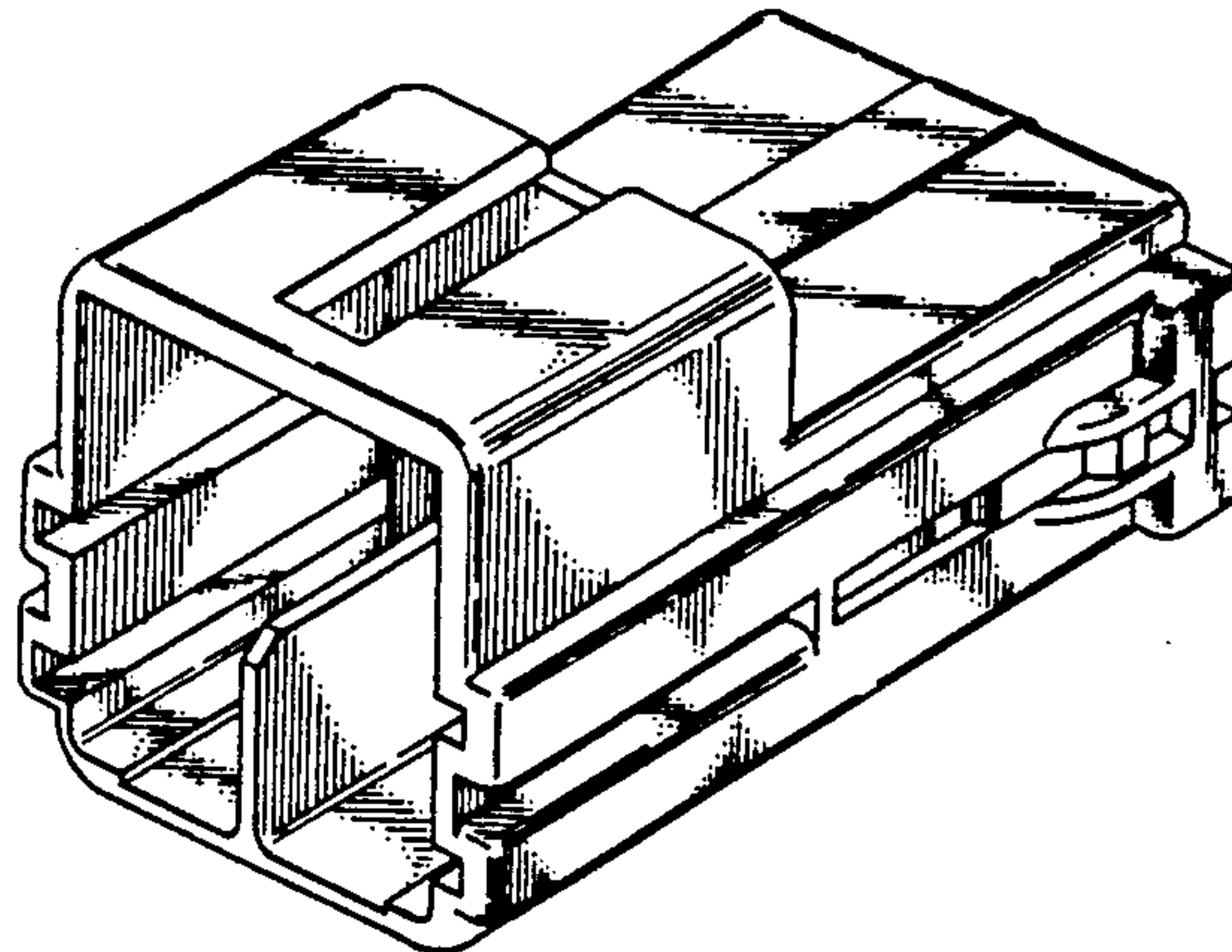


FIG. 1

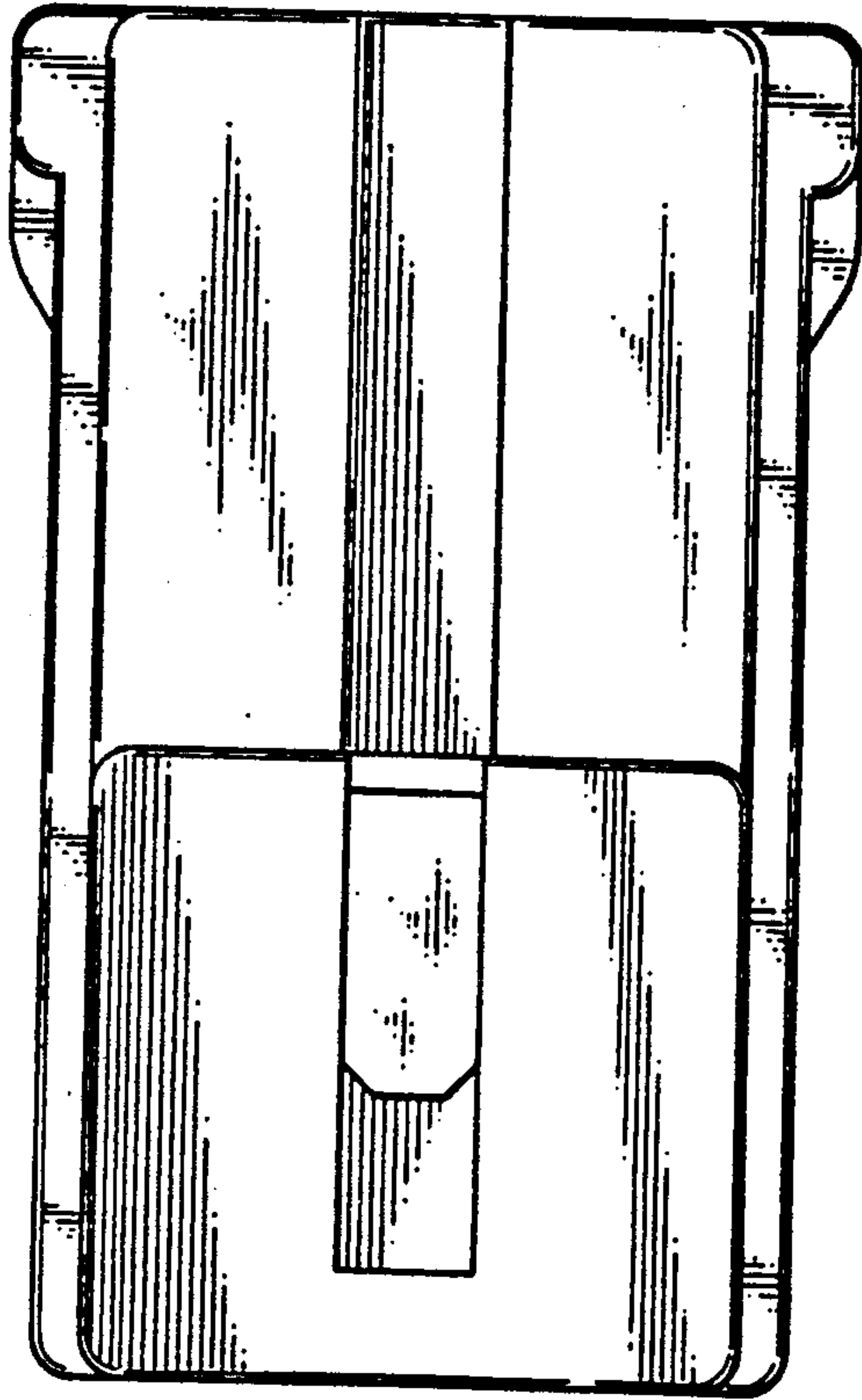


FIG. 2

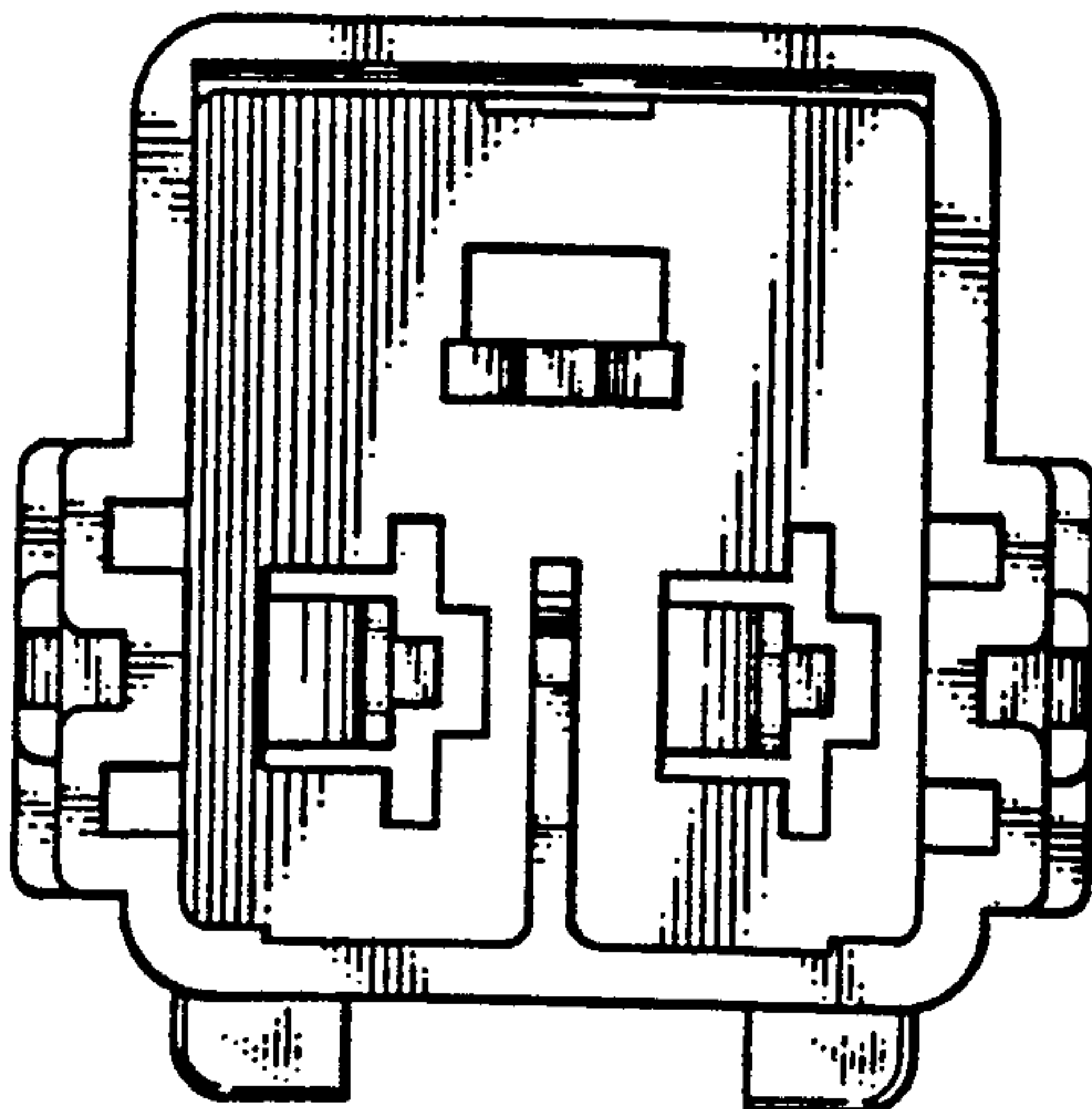


FIG. 3

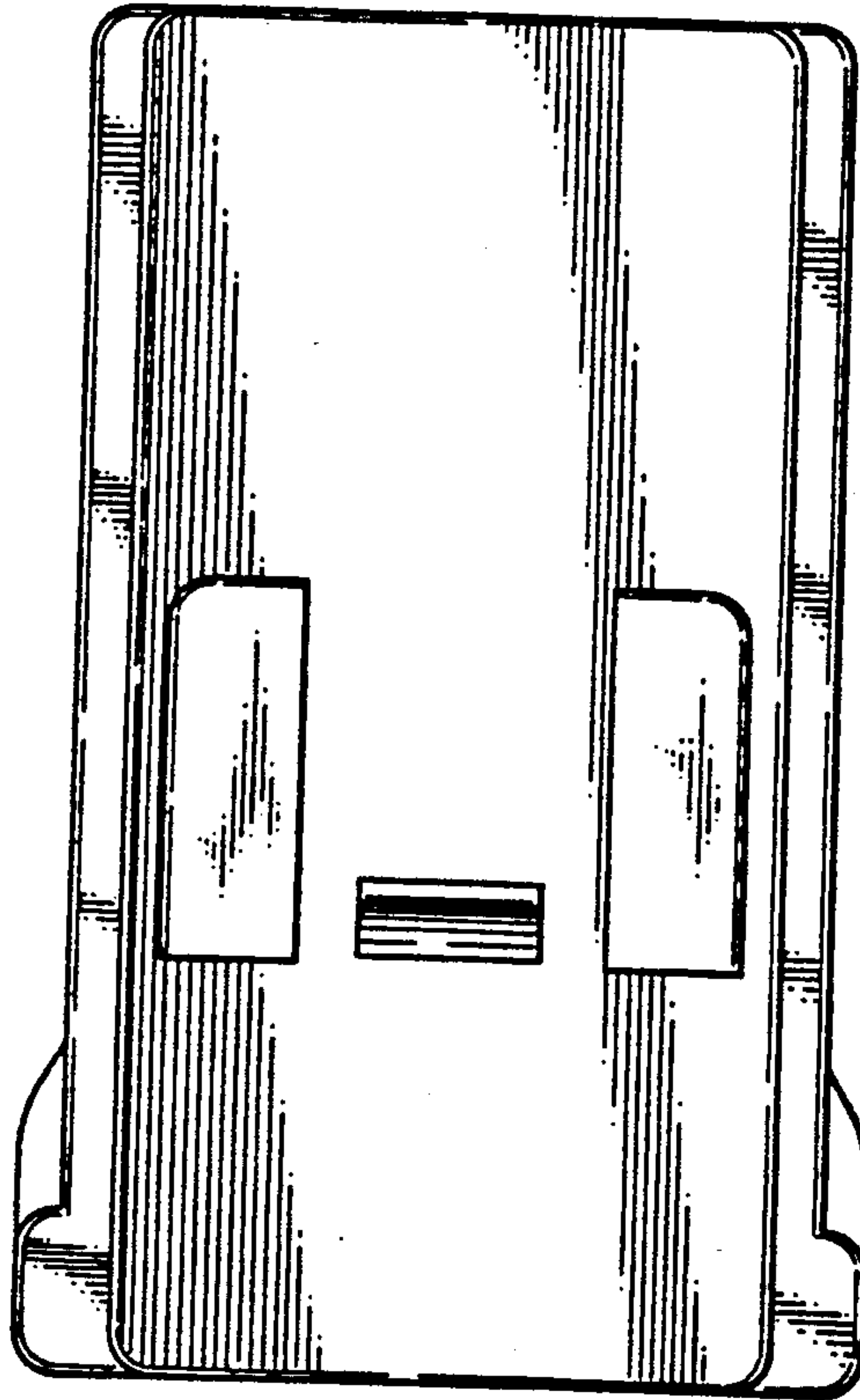


FIG. 4

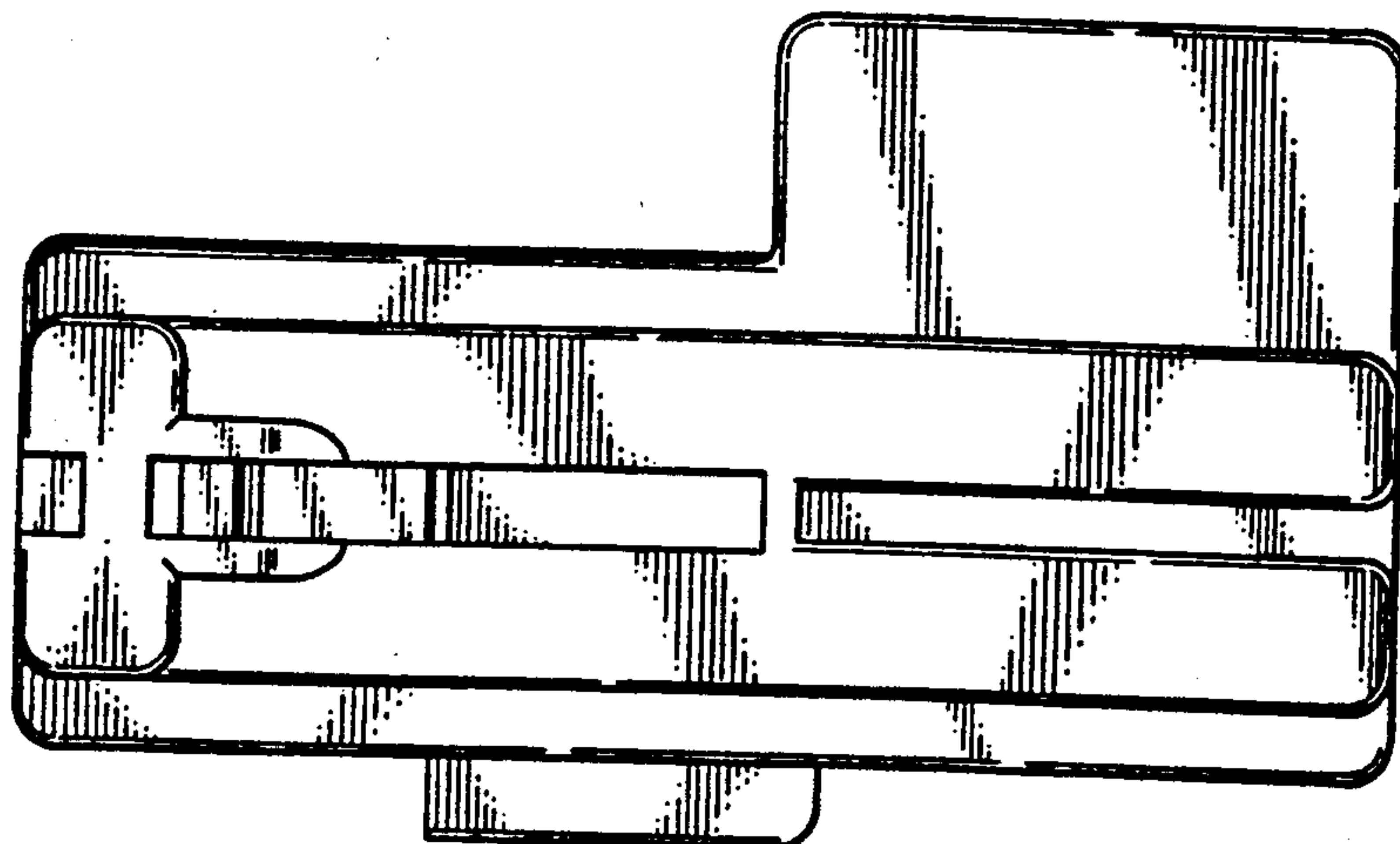


FIG. 5

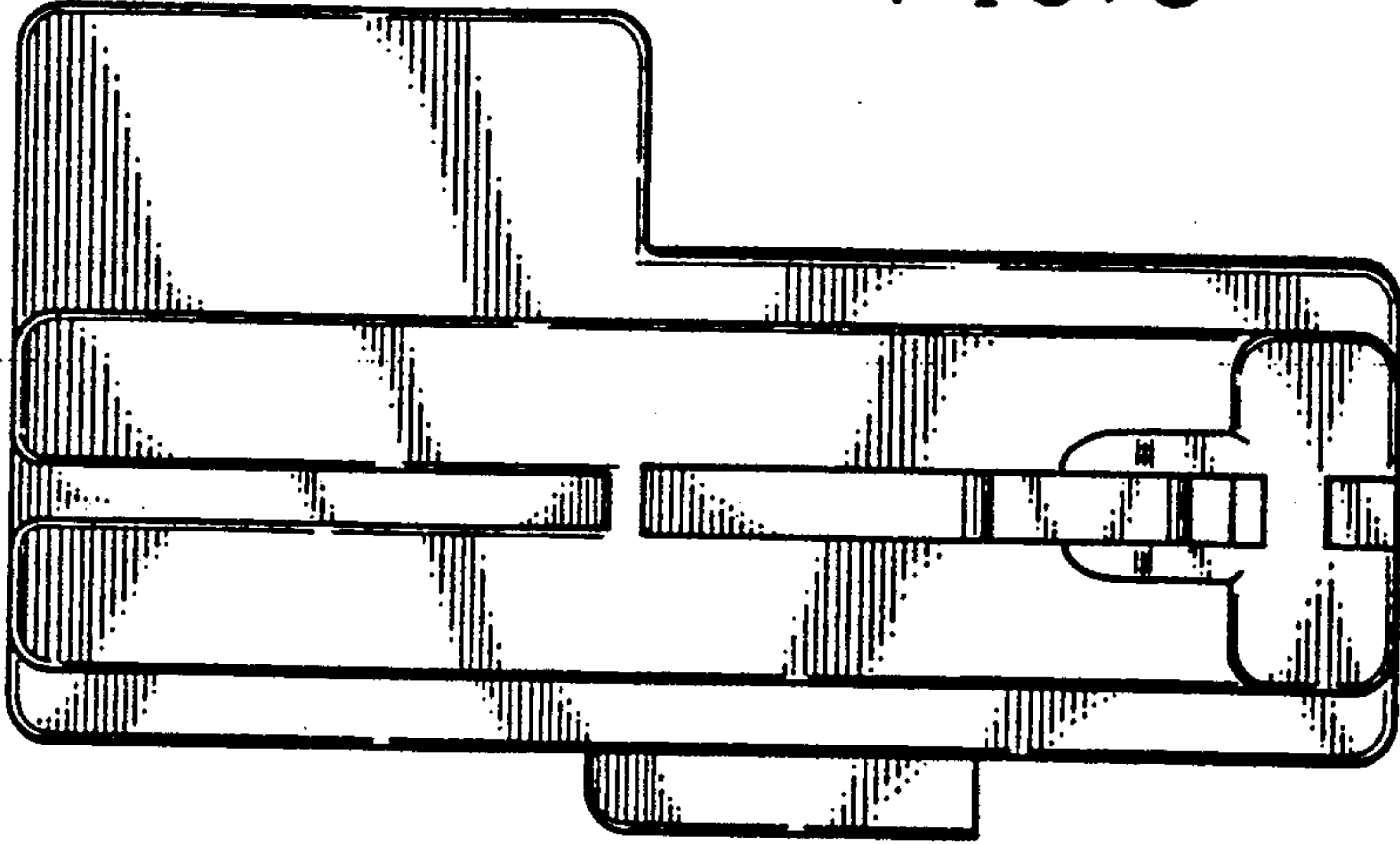


FIG. 6

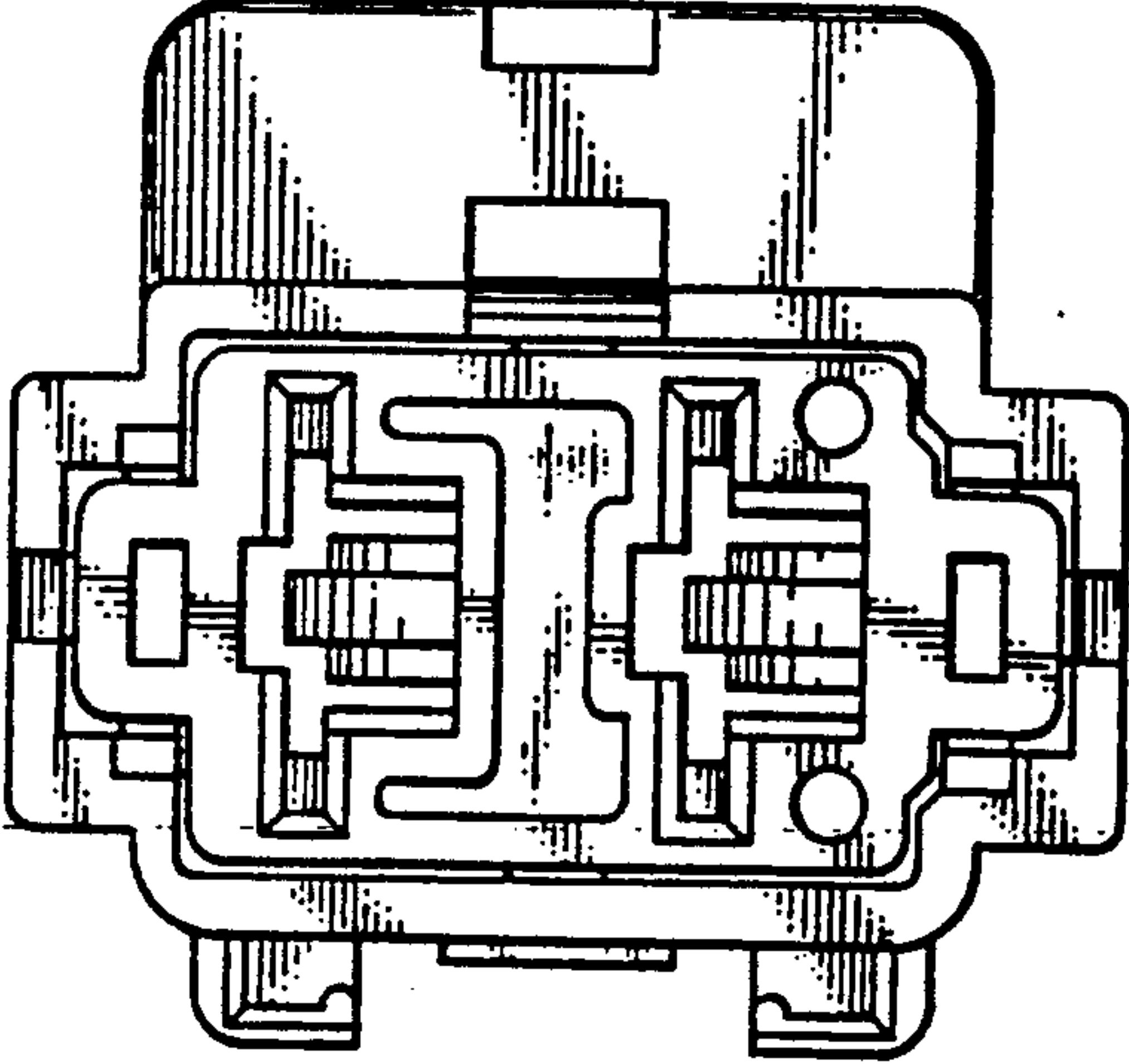


FIG. 7

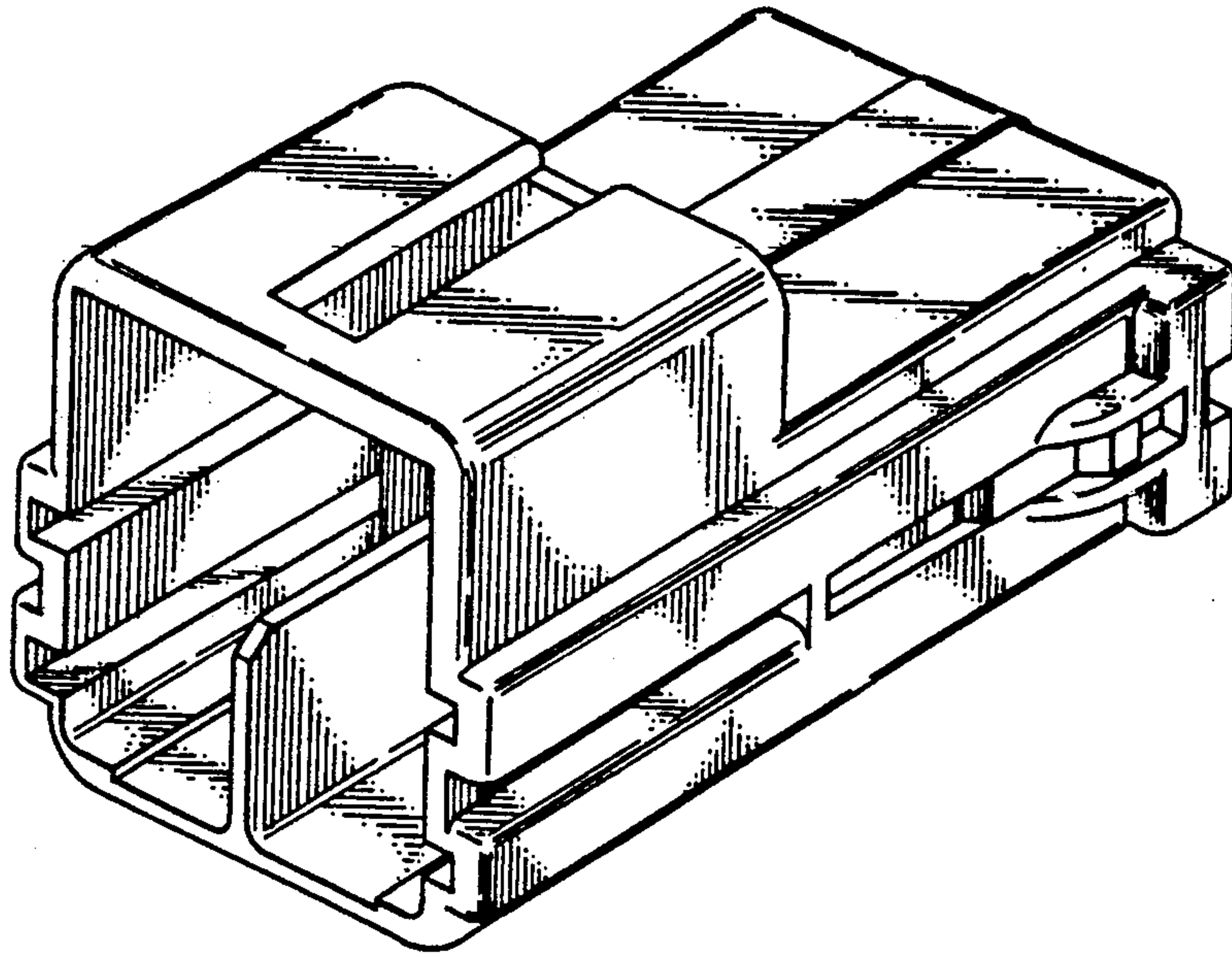


FIG. 8

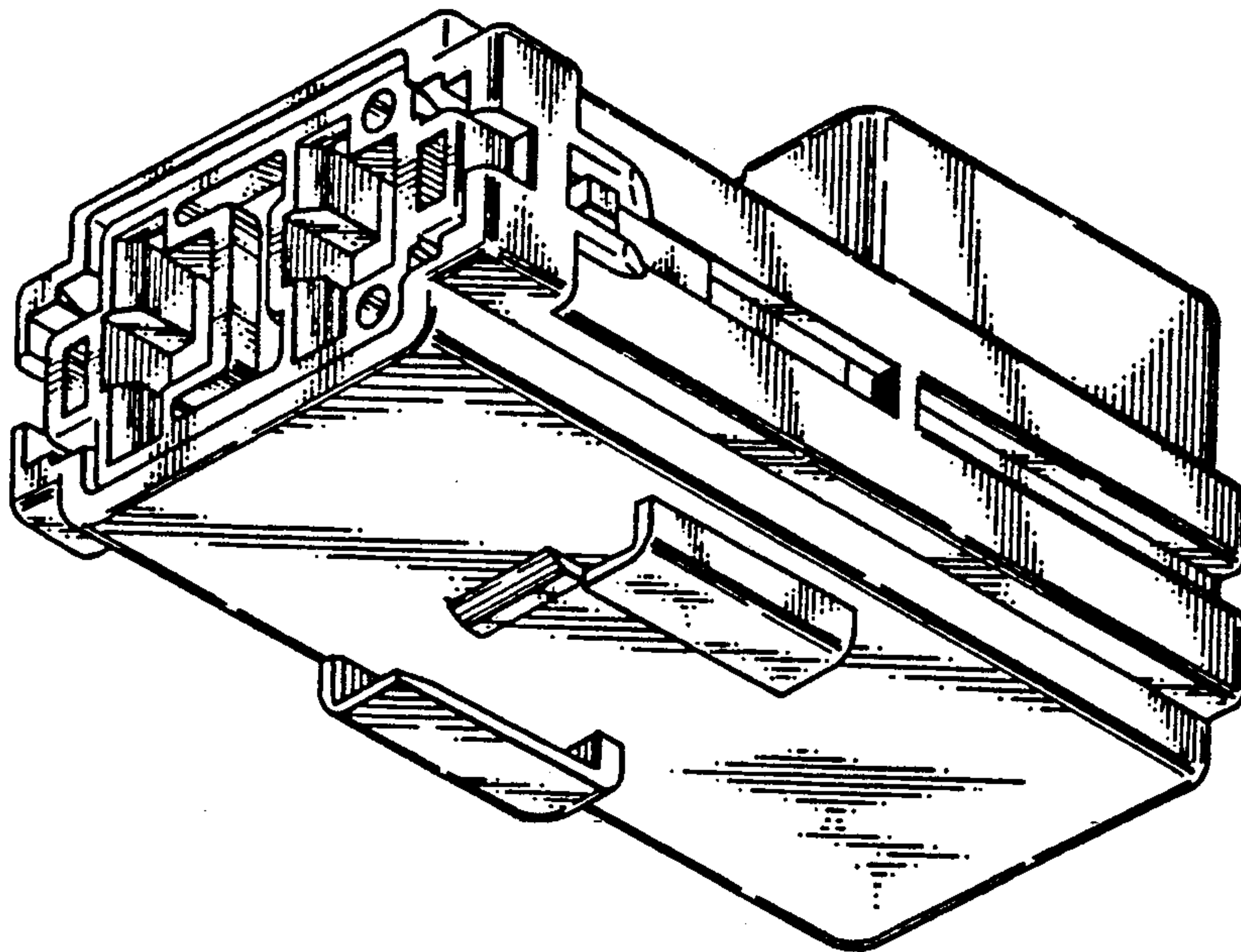
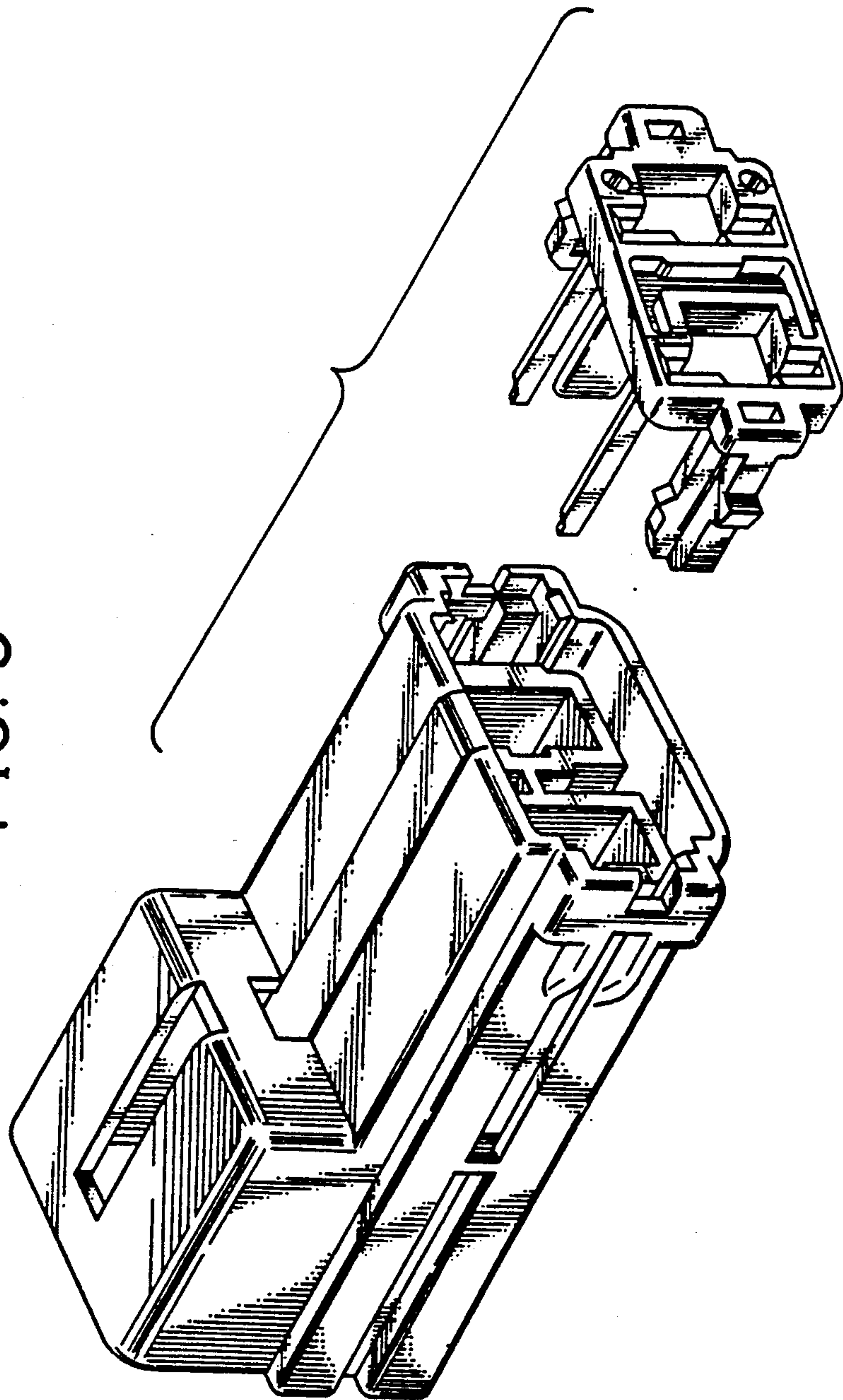


FIG. 9



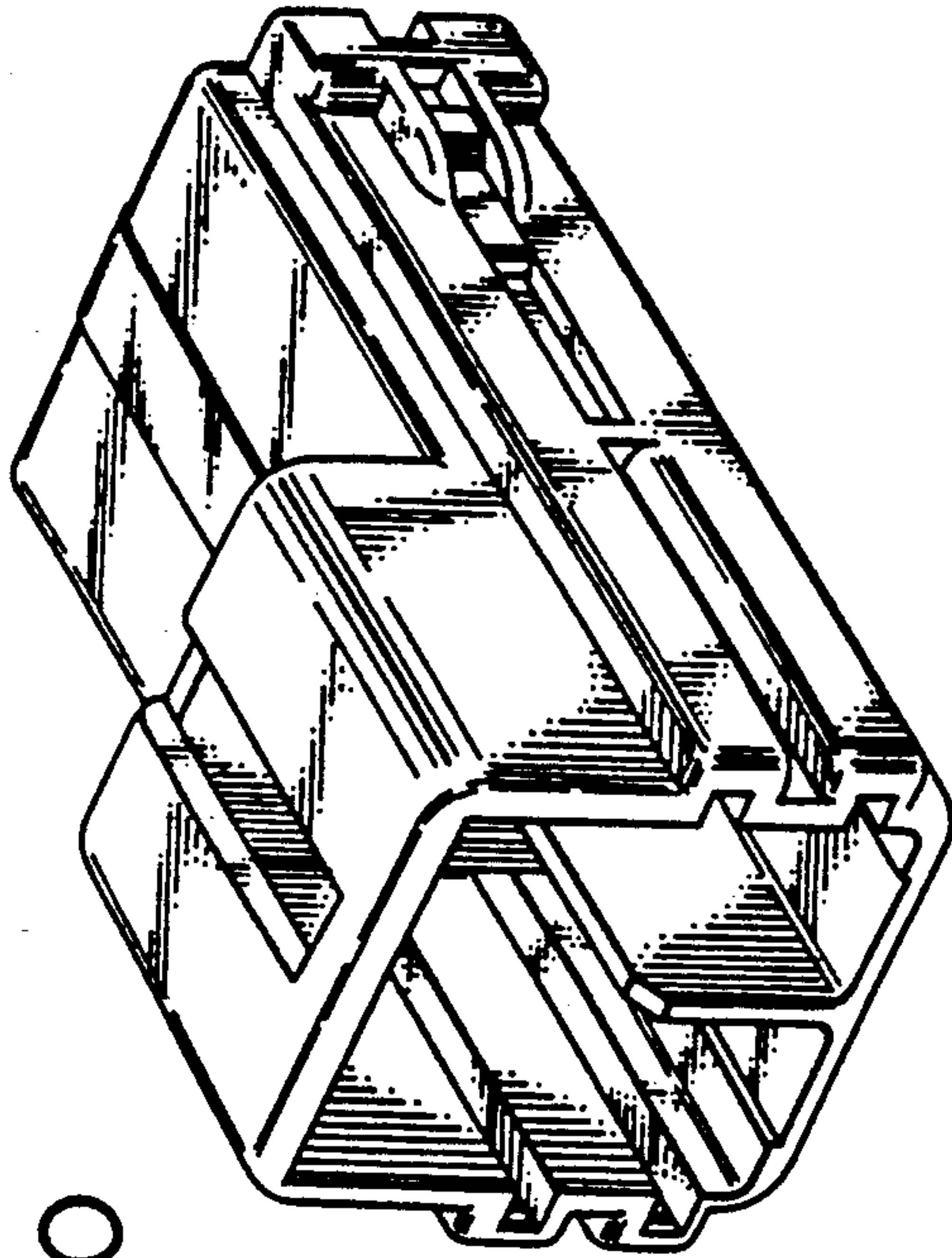


FIG. 10

