

[54] NOISE ELIMINATOR

4,802,869 2/1989 Maue 439/587

[75] Inventors: Shizuo Tsubokura; Kunio Hoshino; Itsuo Takayanagi, all of Shizuoka, Japan

OTHER PUBLICATIONS

Power Line Filter EF1 on p. 59 of 1986 *Allied Electronics Catalog*.

[73] Assignee: Yazaki Corporation, Japan

Primary Examiner—Susan J. Lucas
Assistant Examiner—Joel Sincavage
Attorney, Agent, or Firm—Jones, Askew & Lunsford

[**] Term: 14 Years

[21] Appl. No.: 242,051

[22] Filed: Sep. 8, 1988

[57] CLAIM

The ornamental design for a noise eliminator, as shown and described.

[30] Foreign Application Priority Data

Mar. 10, 1988 [JP] Japan 63-9524

DESCRIPTION

[52] U.S. Cl. D13/123; D13/133; D13/147

[58] Field of Search D13/123, 133, 146, 147; 455/212, 213, 222, 297, 308; 439/353, 344, 357, 544, 550, 571, 572, 586, 587, 595, 603, 660, 682, 685, 686, 687, 695, 696, 701, 64, 350

FIG. 1 is a perspective view of a connector housing for a noise eliminator showing our new design; FIG. 2 is a front elevational view thereof; FIG. 3 is a right side elevational view thereof, the left side elevational view thereof being a mirror image; FIG. 4 is a top plan view thereof; FIG. 5 is a bottom plan view thereof; FIG. 6 is a rear elevational view thereof; FIG. 7 is a cross-sectional view thereof taken along line 7—7 of FIG. 2; FIG. 8 is a cross-sectional view thereof taken along line 8—8 of FIG. 2.

[56] References Cited

U.S. PATENT DOCUMENTS

3,137,535 6/1964 Collier et al. 439/350
4,209,216 6/1980 Brooks 439/64 X
4,750,893 6/1988 Sheyoshi et al. 439/586 X

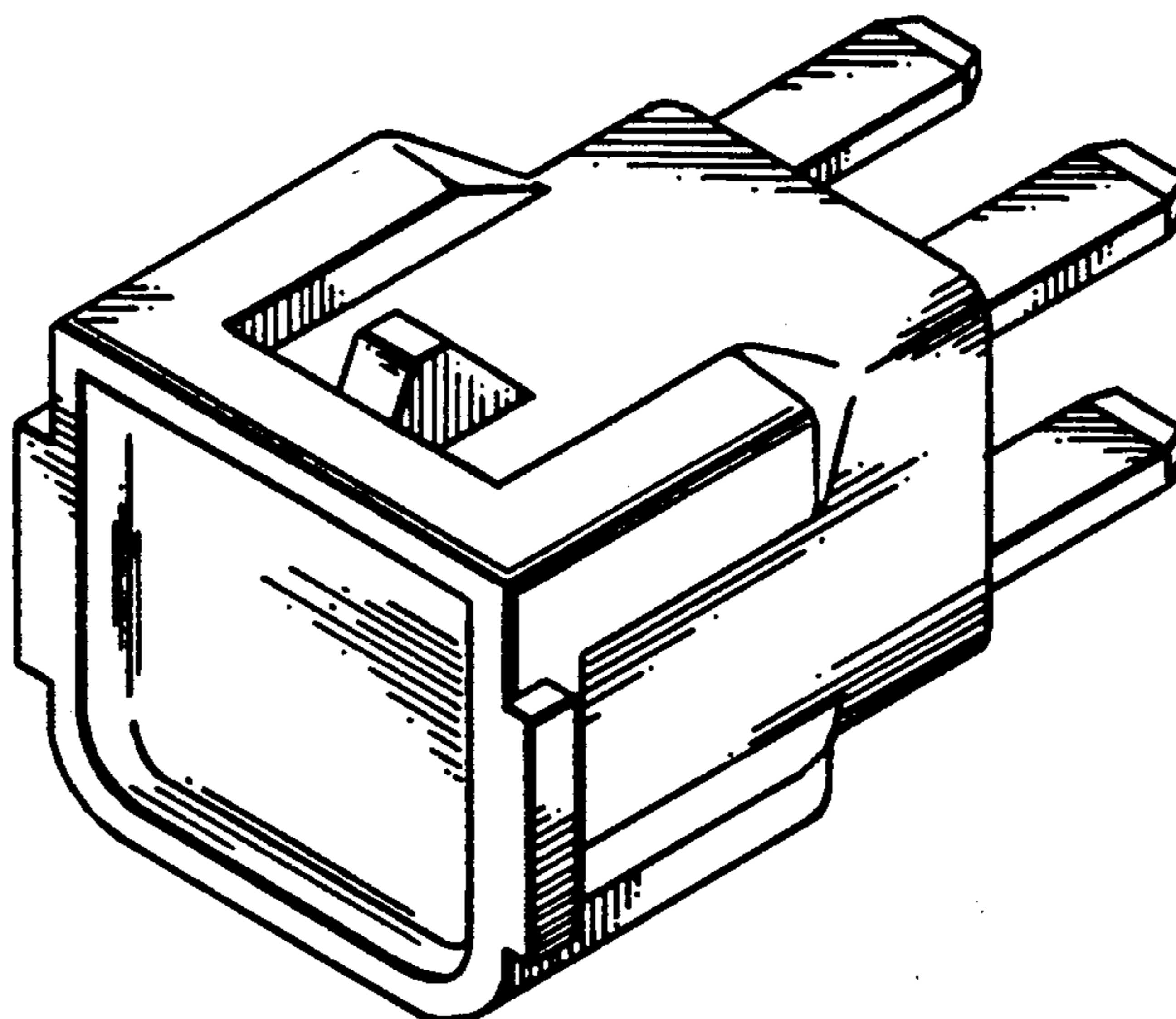


Fig. 4

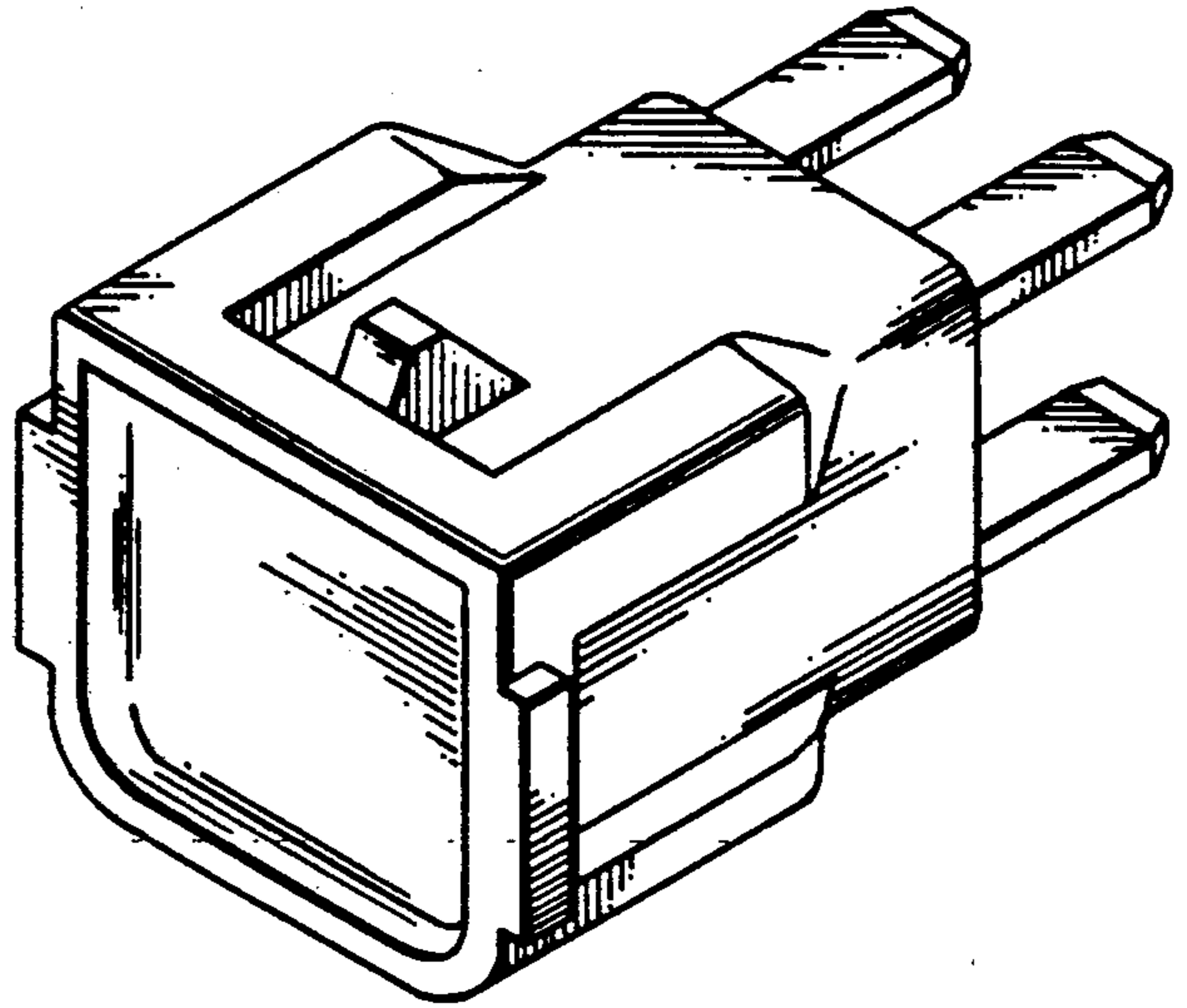
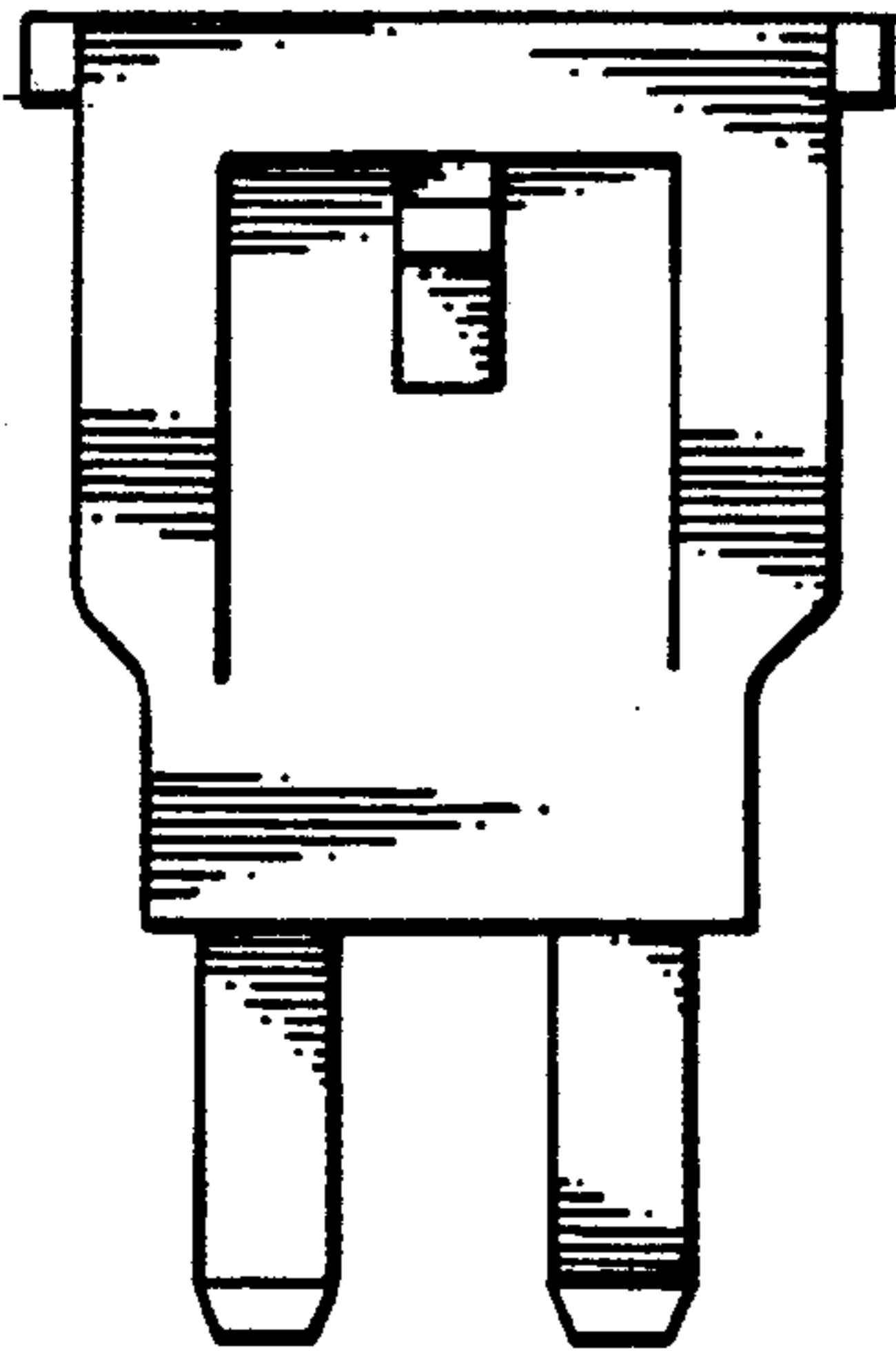


Fig. 1

Fig. 2

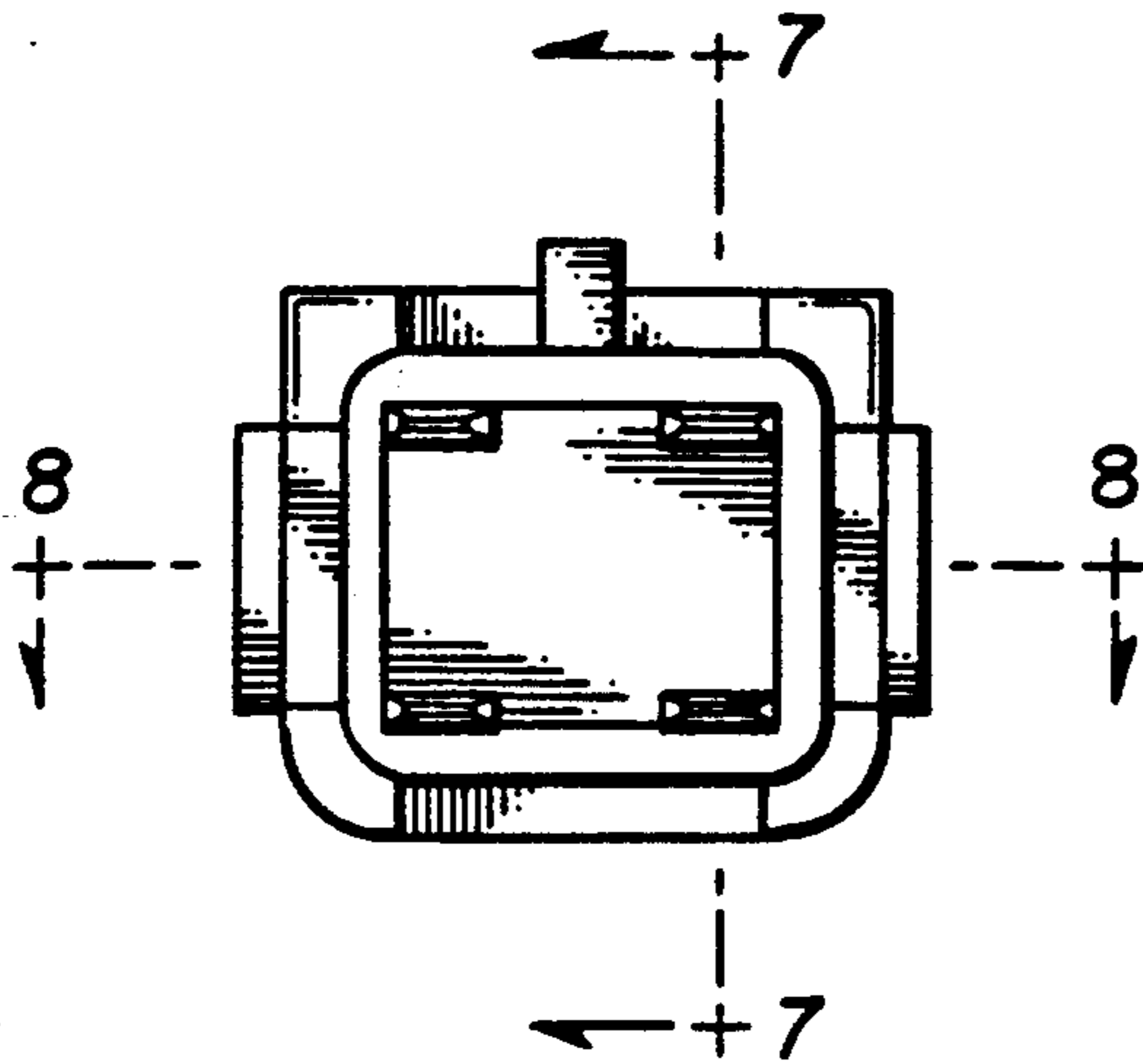
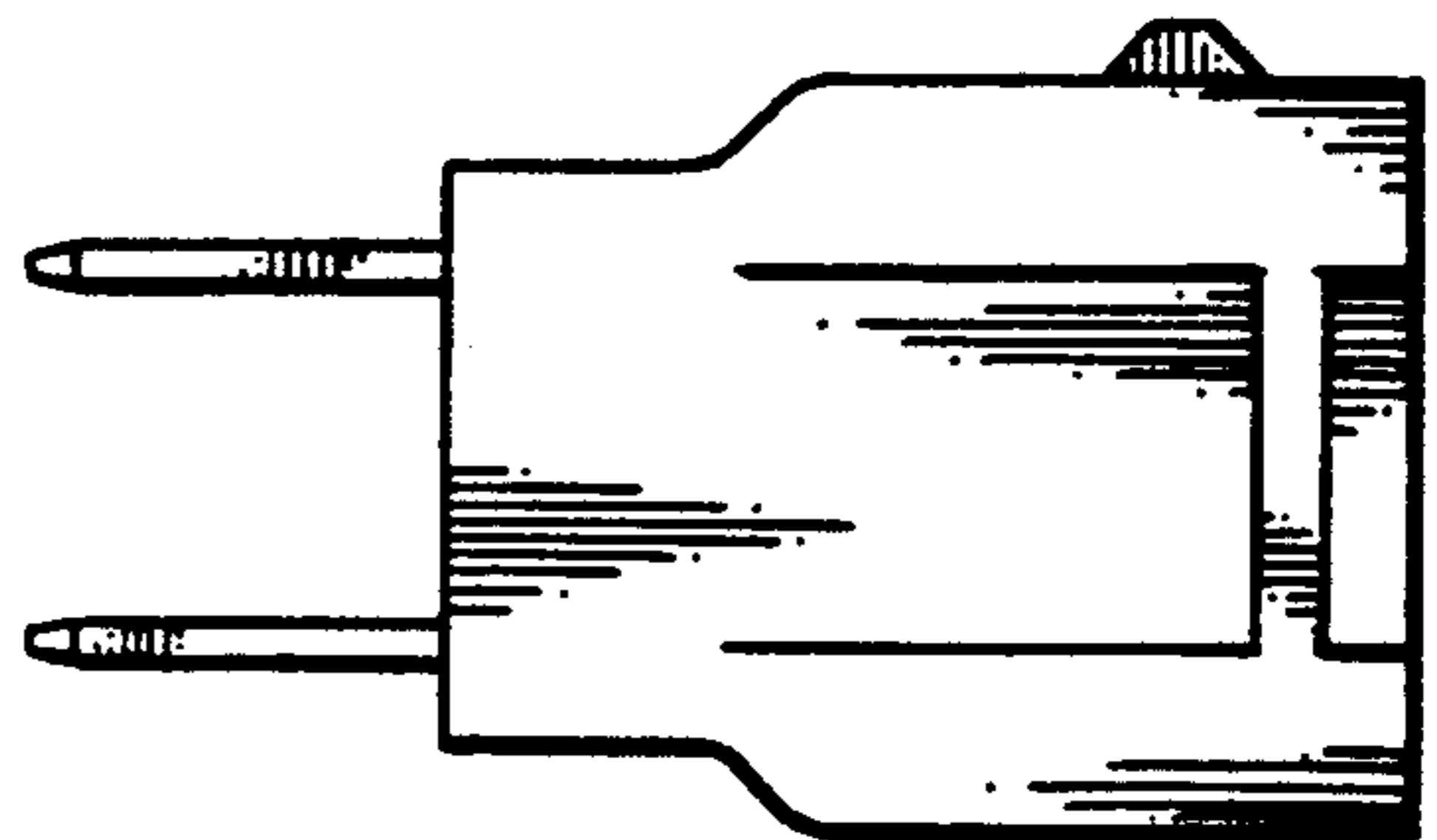


Fig. 3



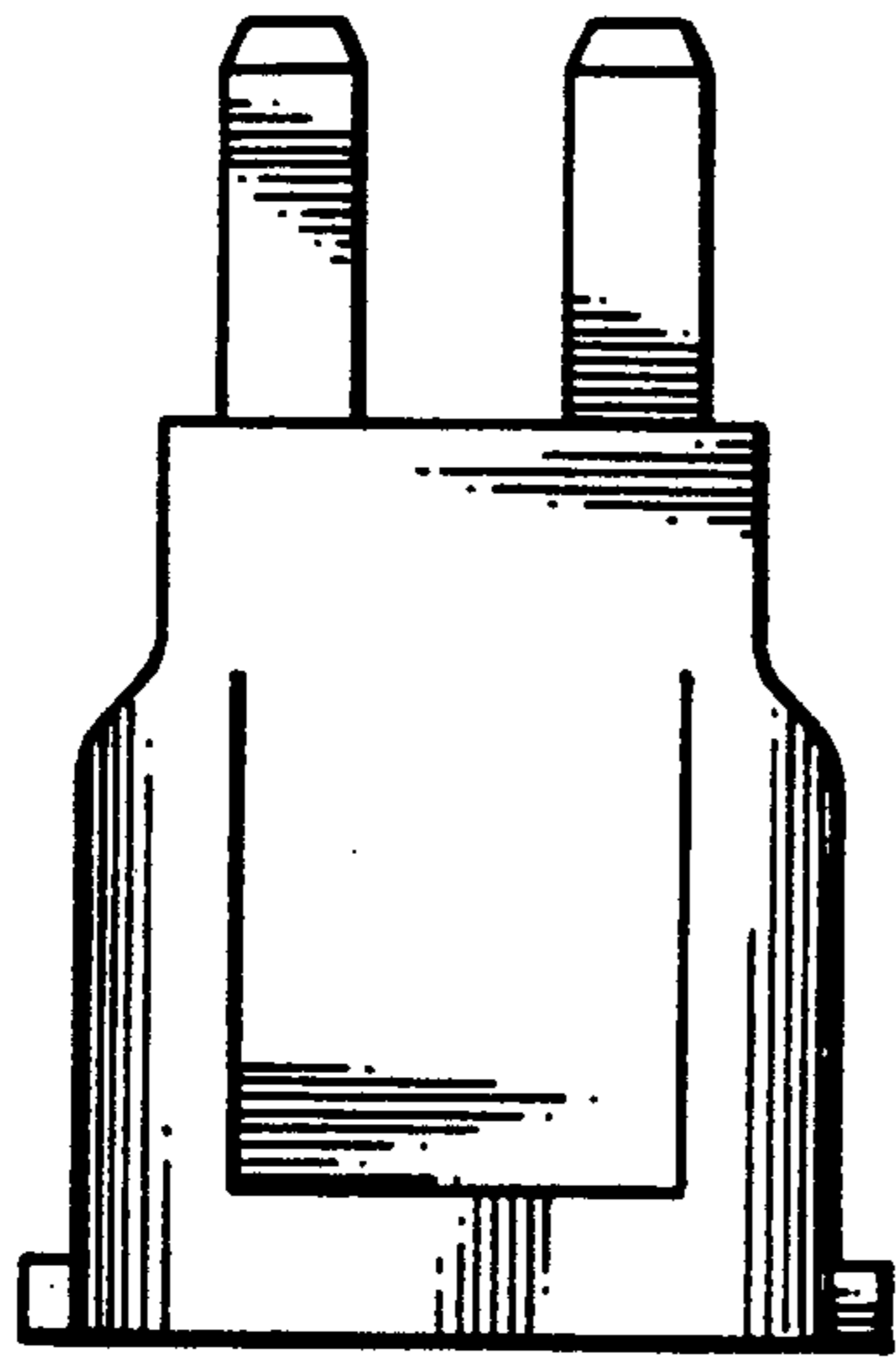


Fig. 5

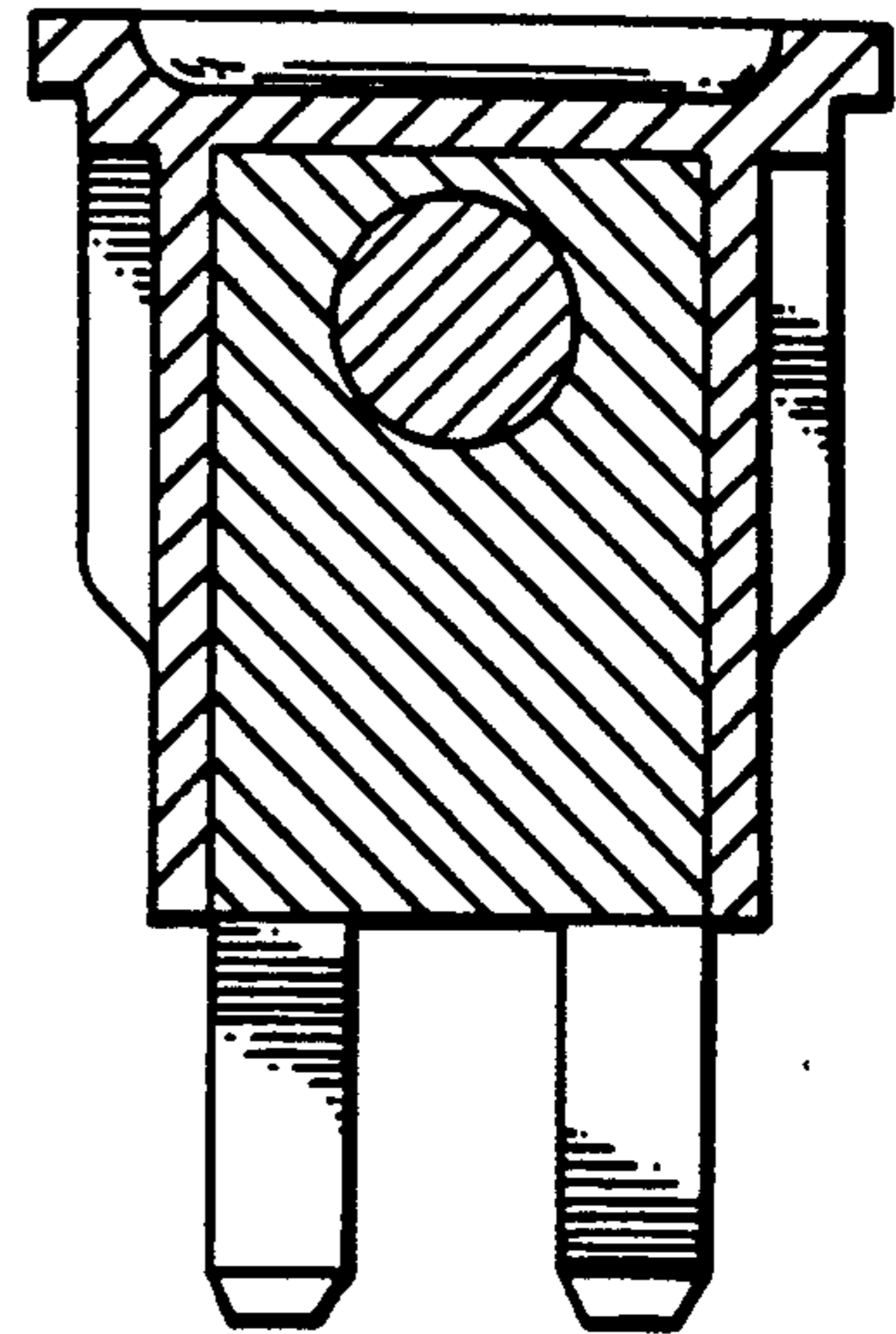


Fig. 8

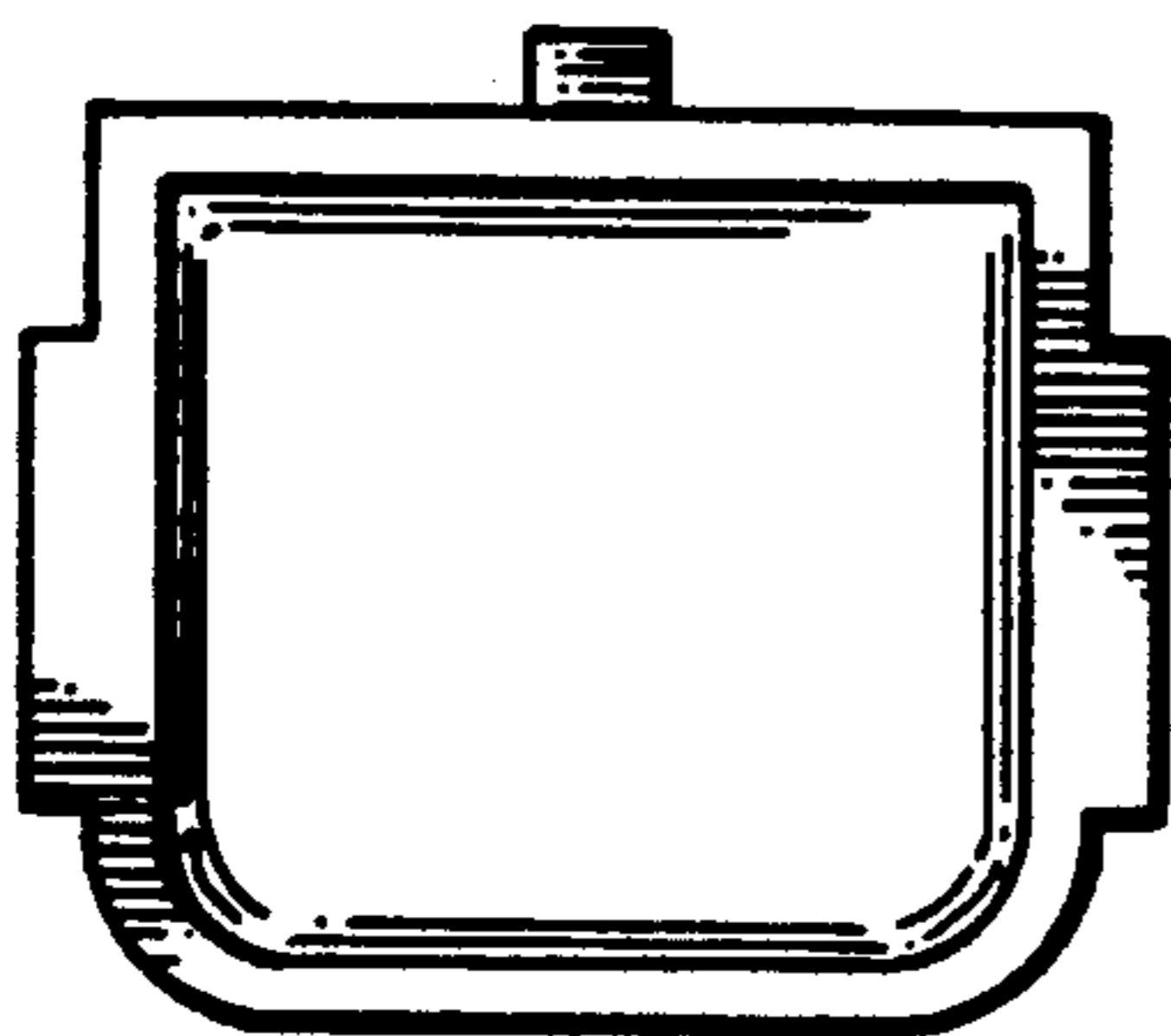


Fig. 6

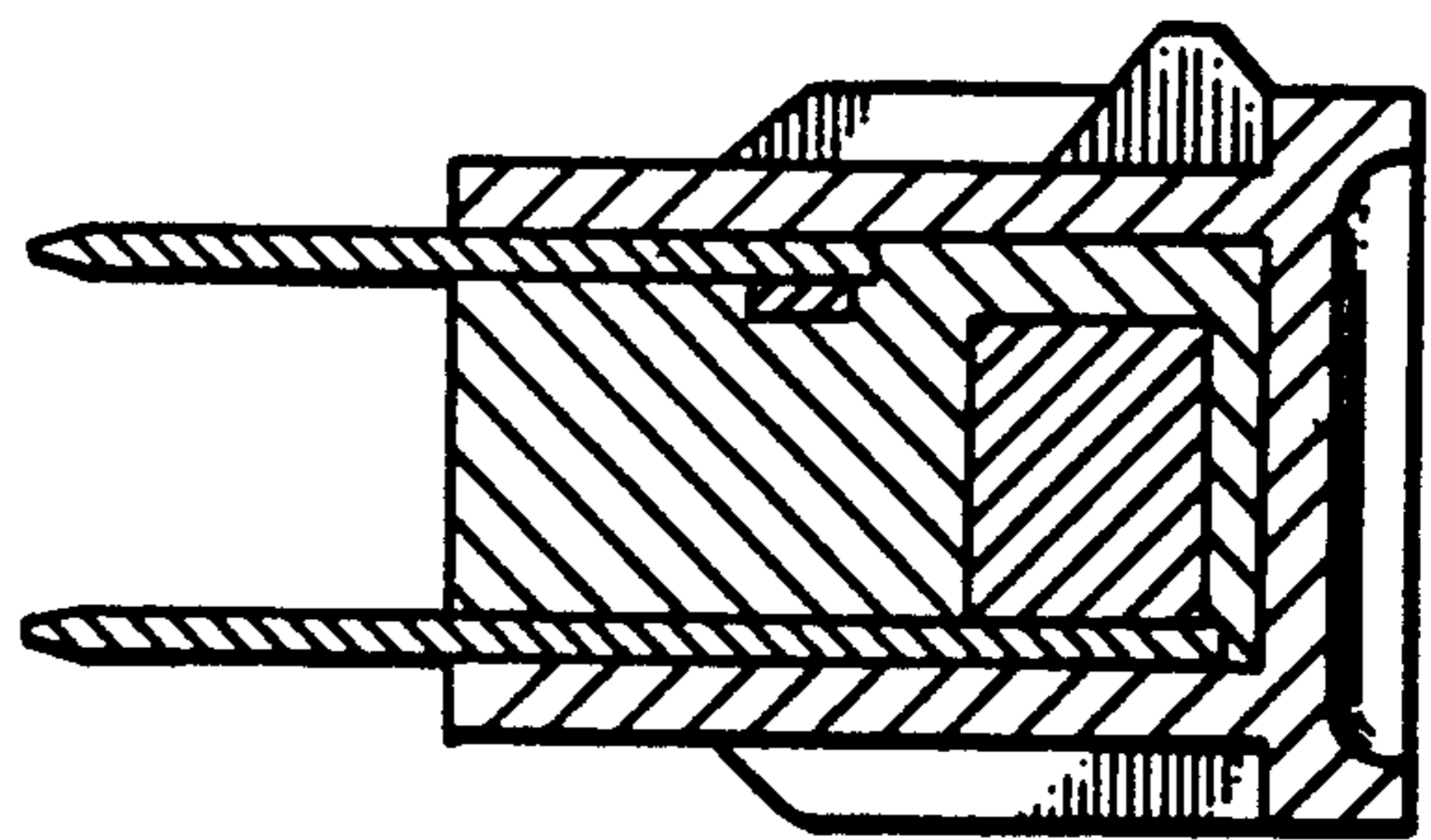


Fig. 7