

[54] BICYCLE HANDLEBAR

[75] Inventor: David K. McMurtrey, Maysville, Ky.

[73] Assignee: Leggett & Platt, Incorporated, Carthage, Mo.

[\*\*] Term: 14 Years

[21] Appl. No.: 885,432

[22] Filed: Jul. 14, 1986

[52] U.S. Cl. .... D12/178

[58] Field of Search ..... D12/178; 74/551.1

[56] References Cited

U.S. PATENT DOCUMENTS

|            |         |               |       |         |
|------------|---------|---------------|-------|---------|
| D. 213,163 | 1/1969  | Stone         | ..... | D12/178 |
| D. 214,477 | 6/1969  | Pawsat et al. | ..... | D12/178 |
| D. 221,322 | 7/1971  | Pawsat et al. | ..... | D12/178 |
| D. 237,164 | 10/1975 | Knapp         | ..... | D12/111 |
| 4,630,502  | 12/1986 | Greco         | ..... | D12/178 |

OTHER PUBLICATIONS

American Bicyclist & Motorcyclist, 4/85, Hutch Pro Racer Handlebar, bottom right side of page.

Taiwan Bicycles & Parts Buyers' Guide 1986 (selected pages) p. 245, Jin Yuang Model A & I MX-20F-6 & A & I MX-20F-9.

Primary Examiner—James M. Gandy

Attorney, Agent, or Firm—Wood, Herron & Evans

[57] CLAIM

The ornamental design for a bicycle handlebar, as shown and described.

DESCRIPTION

FIG. 1 is a perspective view of a bicycle handlebar embodying my new design;

FIG. 2 is a front elevational view thereof on a reduced scale;

FIG. 3 is a rear elevational view thereof on a reduced scale;

FIG. 4 is a top plan view thereof on a reduced scale;

FIG. 5 is an end elevational view of one end thereof on a reduced scale, the opposite end being a mirror image thereof;

FIG. 6 is a bottom plan view thereof on a reduced scale;

FIG. 7 is an enlarged cross-sectional view thereof taken on line 7—7 of FIG. 1;

FIG. 8 is a perspective view of a bicycle handlebar showing a second embodiment of my design;

FIG. 9 is a front elevational view of FIG. 8 on a reduced scale;

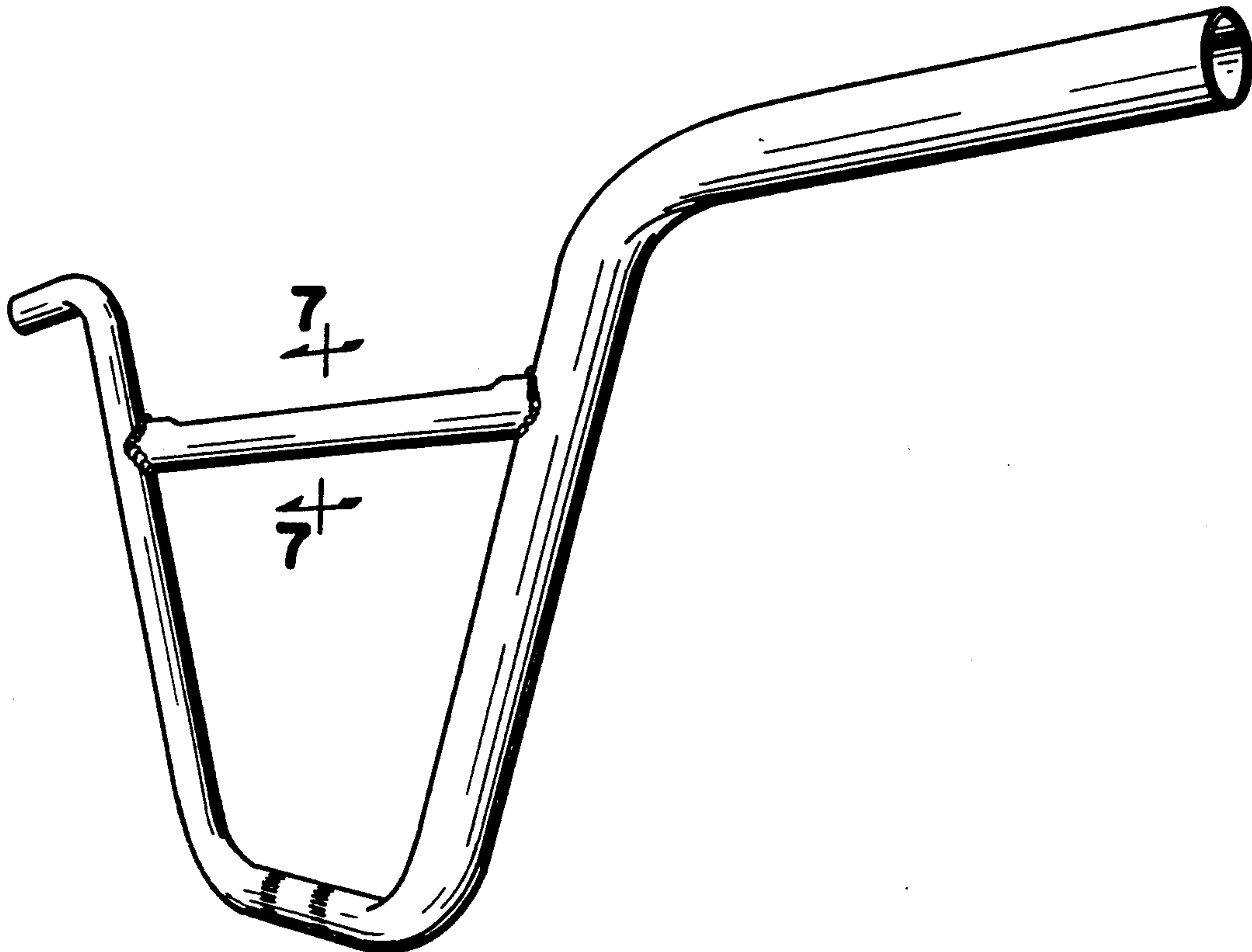
FIG. 10 is a rear elevational view of FIG. 8 on a reduced scale;

FIG. 11 is a top plan view of FIG. 8 on a reduced scale;

FIG. 12 is an end elevational view of FIG. 8 on a reduced scale, the opposite end being a mirror image thereof;

FIG. 13 is a bottom plan view of FIG. 8 on a reduced scale.

The characteristic feature of my new design resides in the v-shaped channel in the center portion of the top crossbar of the handlebar.



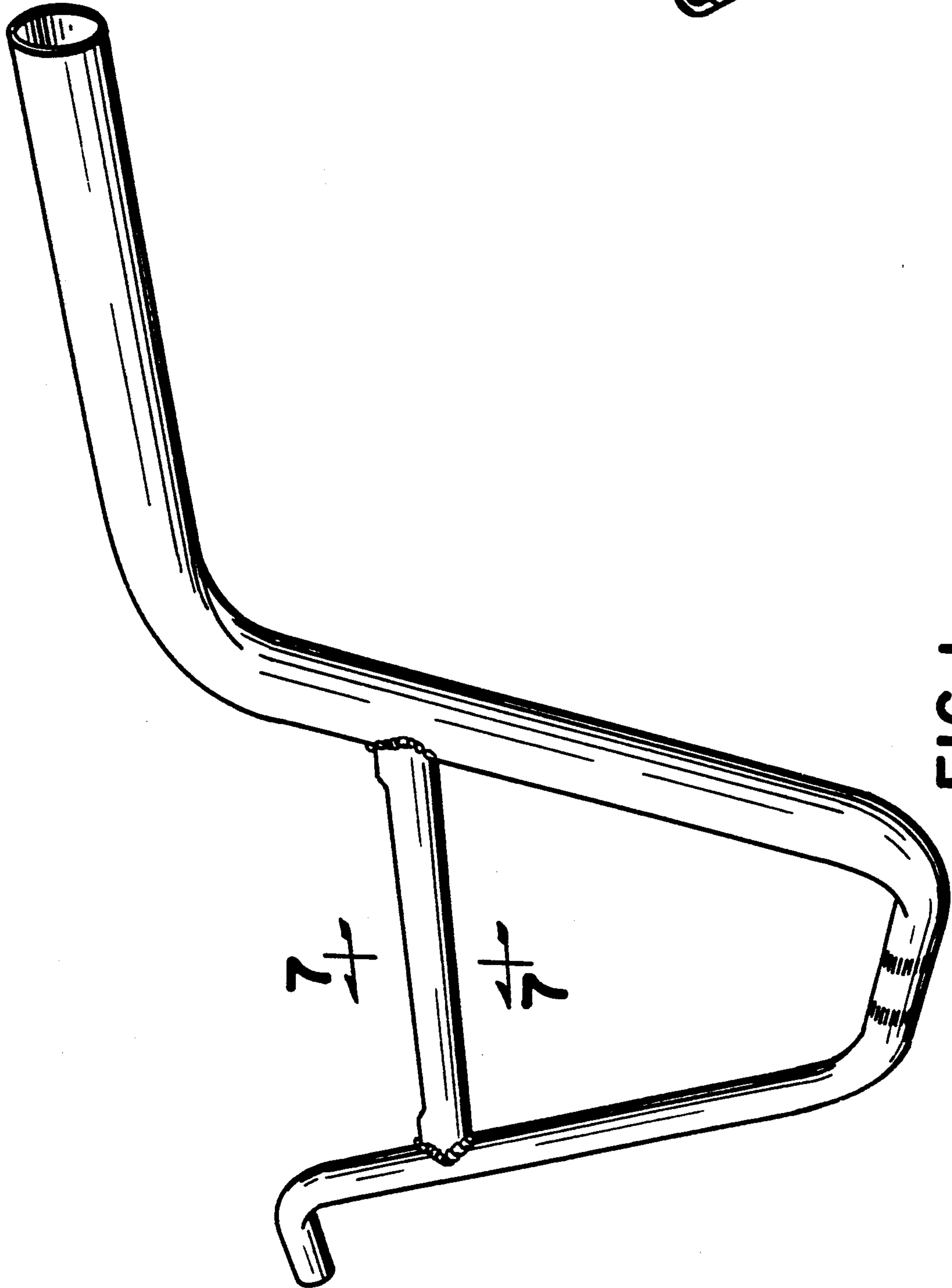


FIG. 1

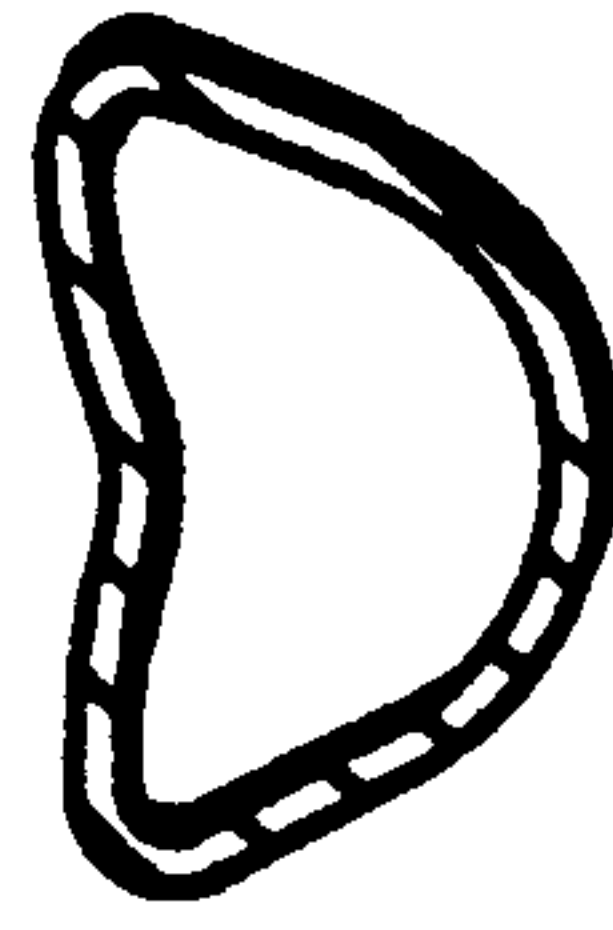


FIG. 7

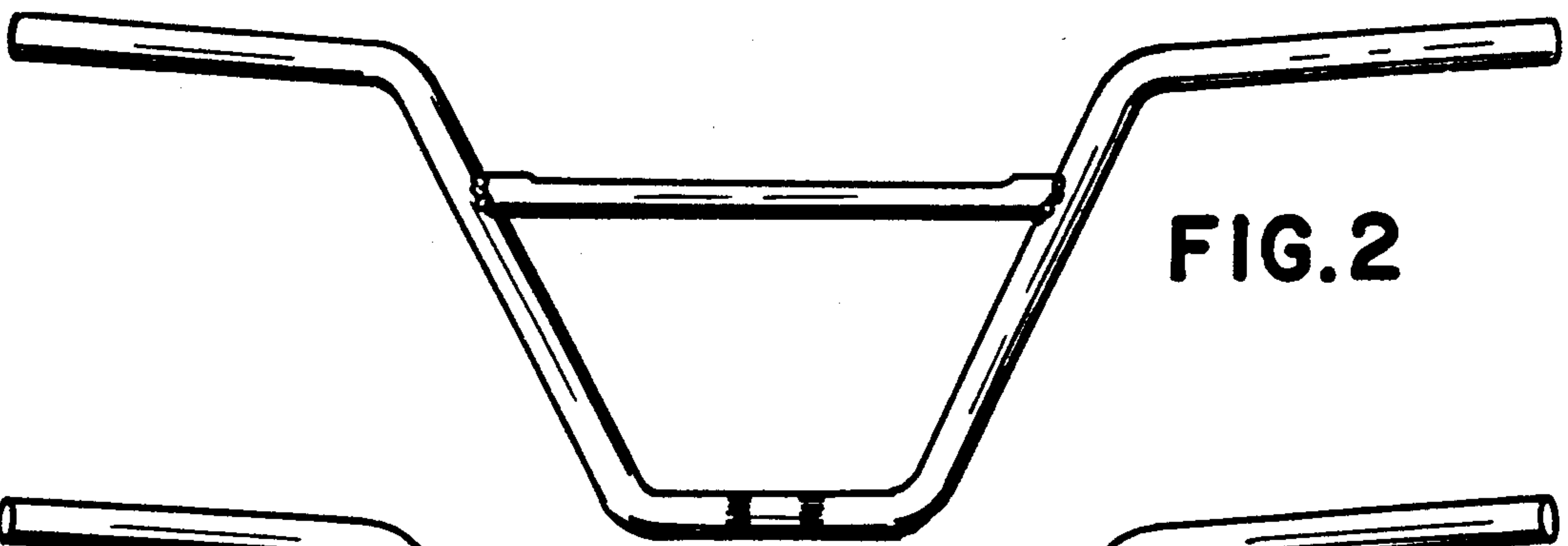


FIG. 2

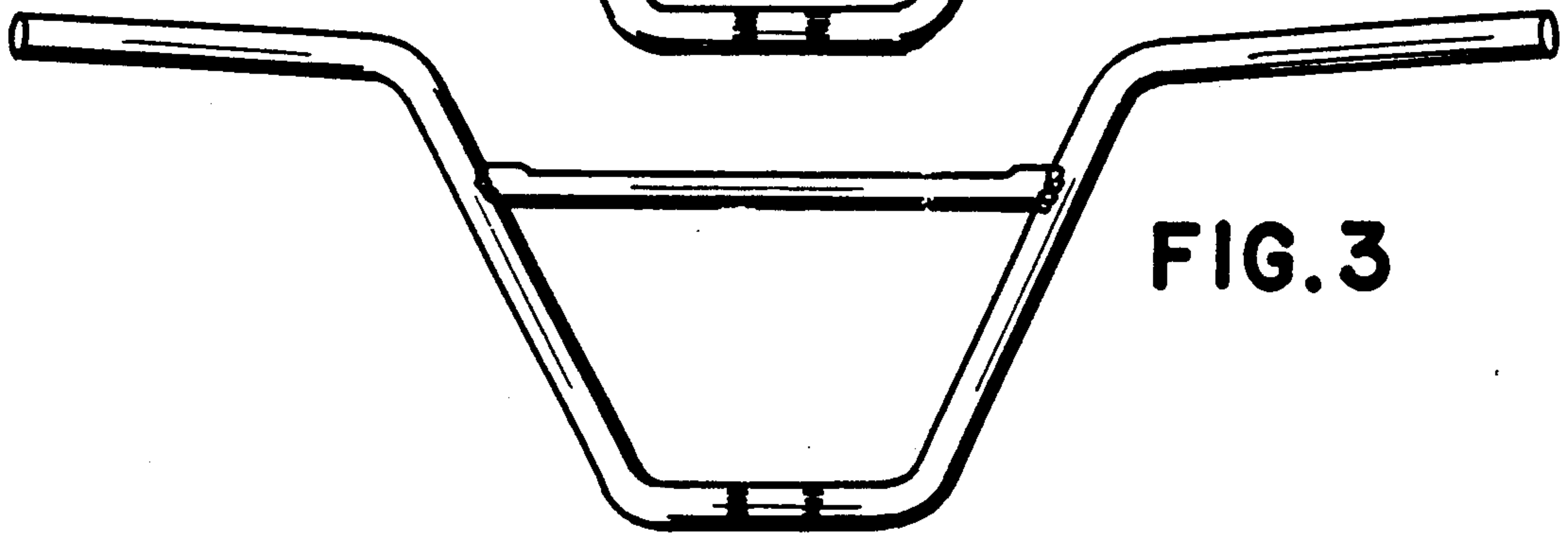


FIG. 3



FIG. 4



FIG. 6



FIG. 11



FIG. 13



FIG. 5



FIG. 12

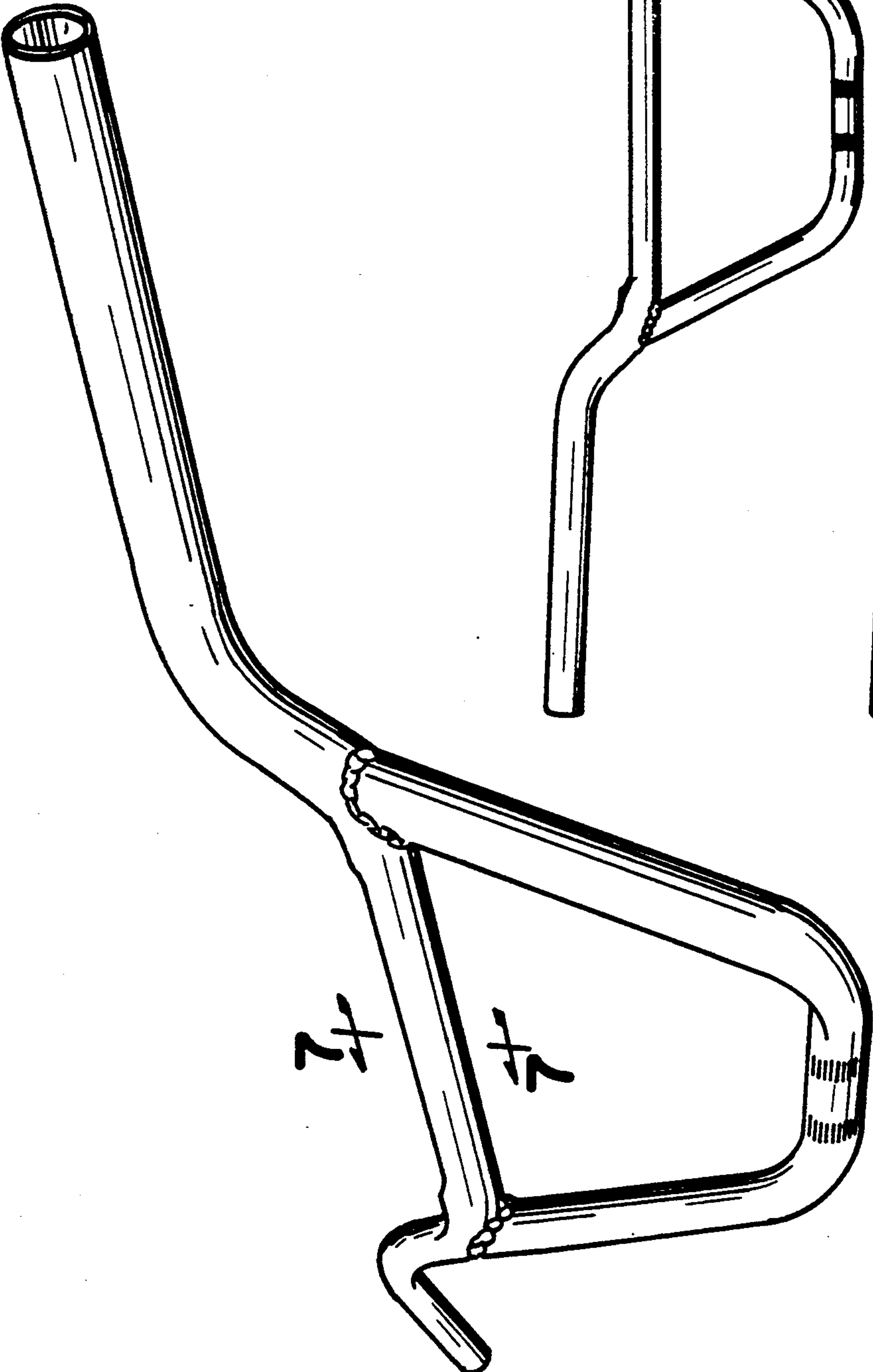


FIG. 8

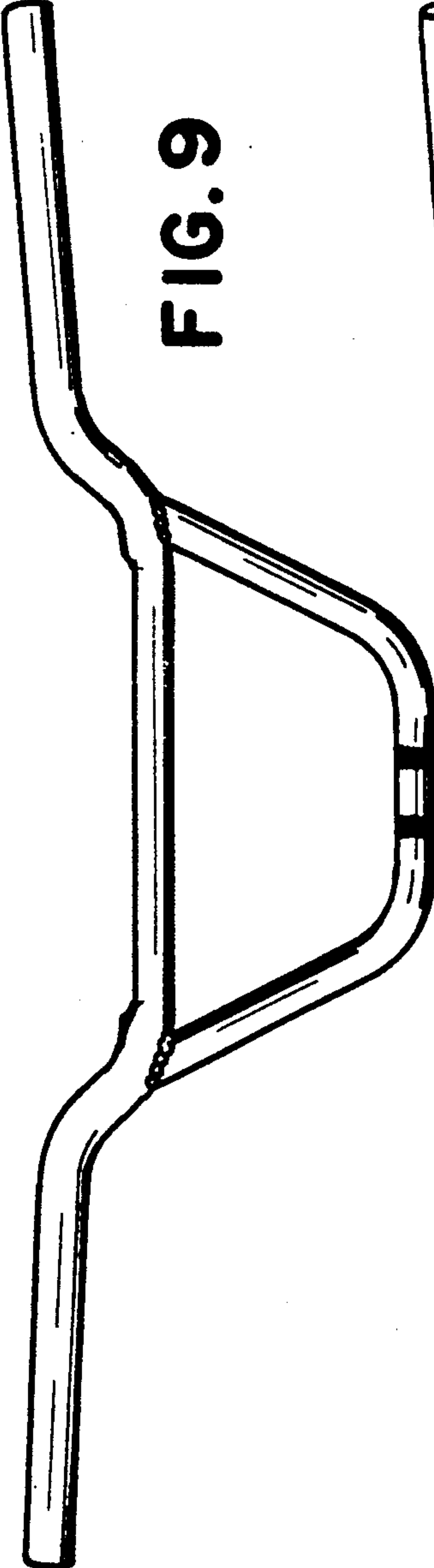


FIG. 9

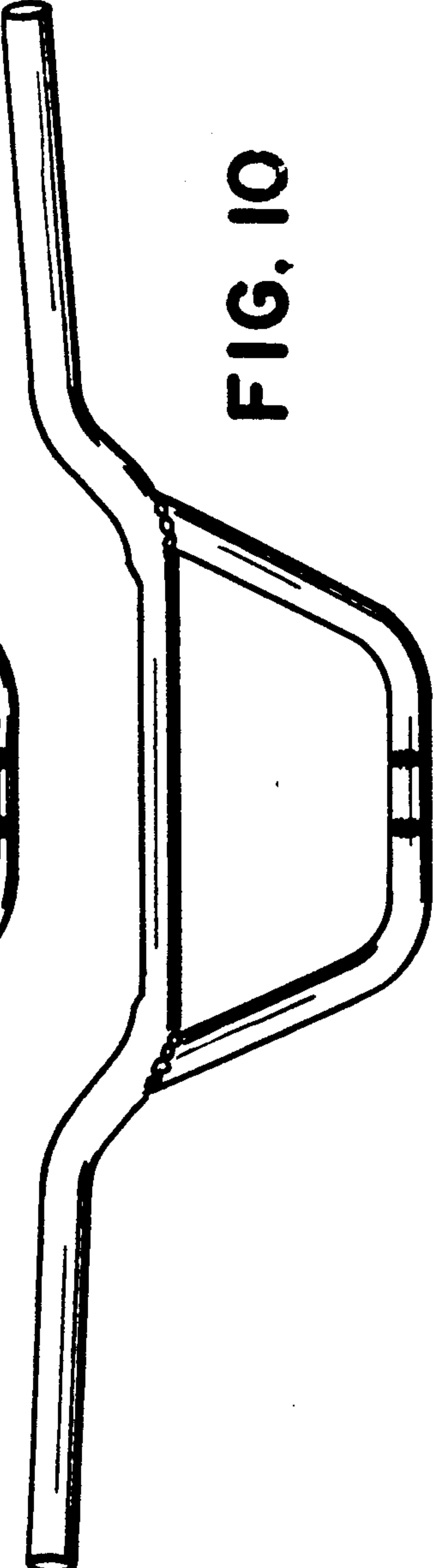


FIG. 10

UNITED STATES PATENT AND TRADEMARK OFFICE  
**CERTIFICATE OF CORRECTION**

**PATENT NO.** : Des. 316,071  
**DATED** : April 9, 1991  
**INVENTOR(S)** : David K. McMurtrey

**It is certified that error appears in the above-identified patent and that said Letters Patent is hereby corrected as shown below:**

On the title page, item [73] Assignee:  
"Leggett & Platt, Incorporated, Carthage, MO., it should  
read as --Wald Manufacturing Company, Inc., Maysville,  
Kentucky--

**Signed and Sealed this  
Twenty-fifth Day of August, 1992**

*Attest:*

DOUGLAS B. COMER

*Attesting Officer*

*Acting Commissioner of Patents and Trademarks*