

United States Patent [19]

Riss

[11] Patent Number: **Des. 316,070**

[45] Date of Patent: **** Apr. 9, 1991**

[54] **VEHICLE BUMPER**

[76] Inventor: **Andrew A. Riss, c/o Breezewood, Inc., P.O. Box 266, Reynoldsville, Pa. 15851**

[**] Term: **14 Years**

[21] Appl. No.: **157,336**

[22] Filed: **Feb. 18, 1988**

[52] U.S. Cl. **D12/169**

[58] Field of Search **D12/169; 293/102, 106**

[56] **References Cited**

U.S. PATENT DOCUMENTS

D. 297,724	9/1988	Helber	D12/169
3,471,070	10/1969	Olson	293/106
3,501,170	3/1970	Da Valle	293/106
3,606,385	9/1971	Johannes	293/106

3,614,136 10/1971 Dent D12/169

4,138,152 2/1979 Prue 293/106

Primary Examiner—James M. Gandy

[57] **CLAIM**

The ornamental design for a vehicle bumper, as shown and described.

DESCRIPTION

FIG. 1 is a perspective view of a vehicle bumper showing my new design;

FIG. 2 is a perspective view thereof with the top in open condition;

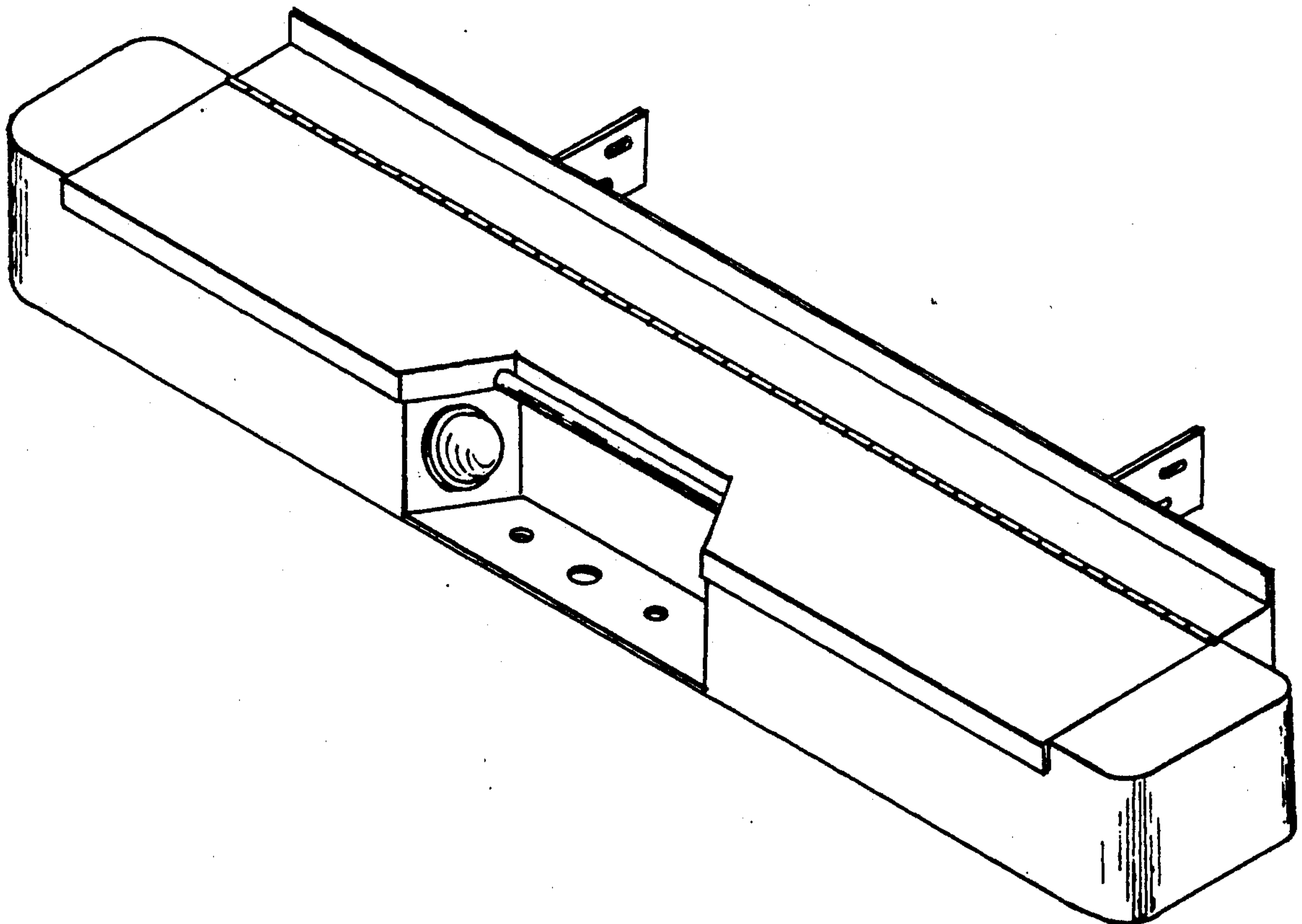
FIG. 3 is an end elevation view thereof;

FIG. 4 is a top plan view thereof;

FIG. 5 is a front elevation view thereof;

FIG. 6 is a rear elevation view thereof; and

FIG. 7 is a bottom plan view thereof.



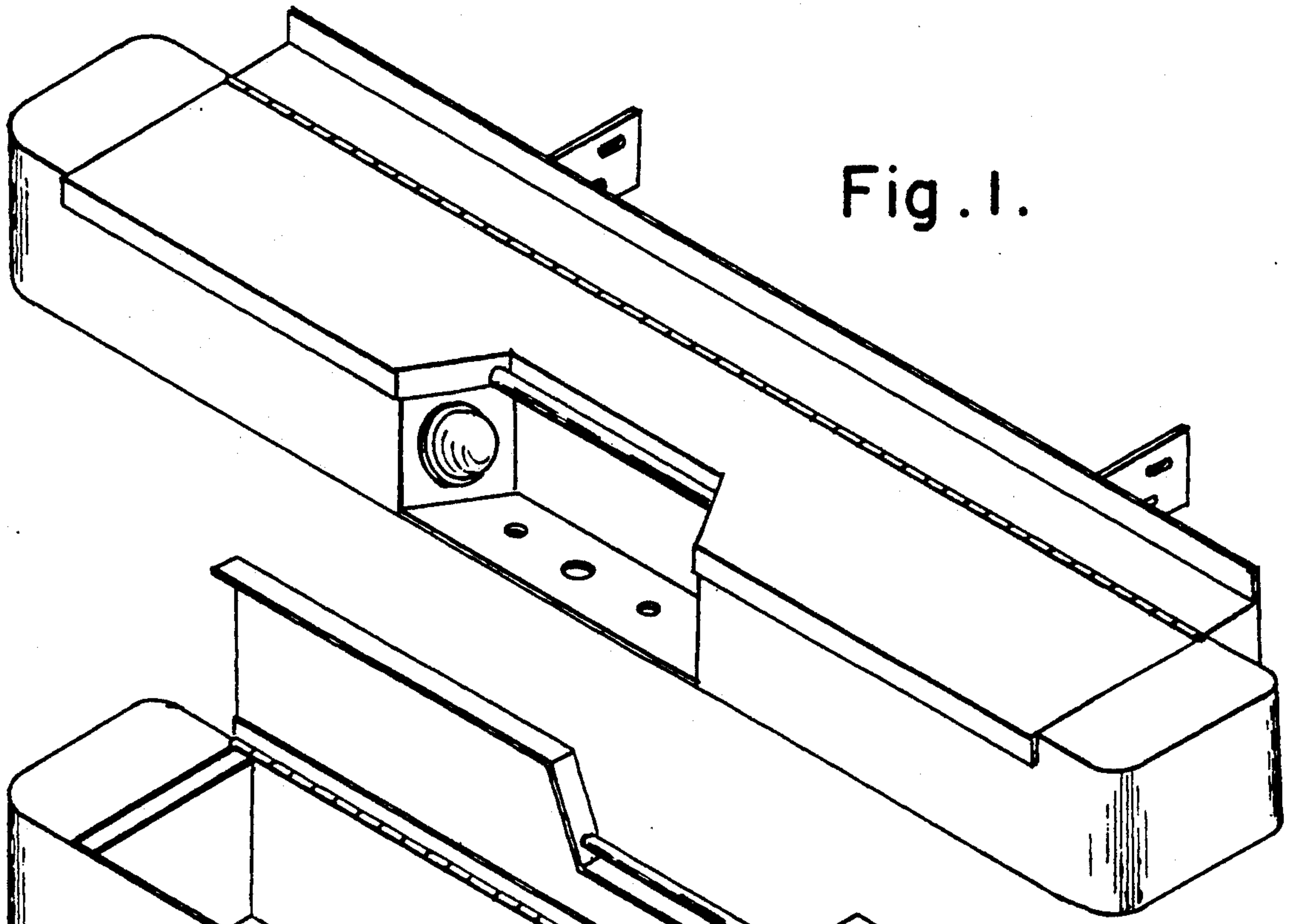


Fig. 1.

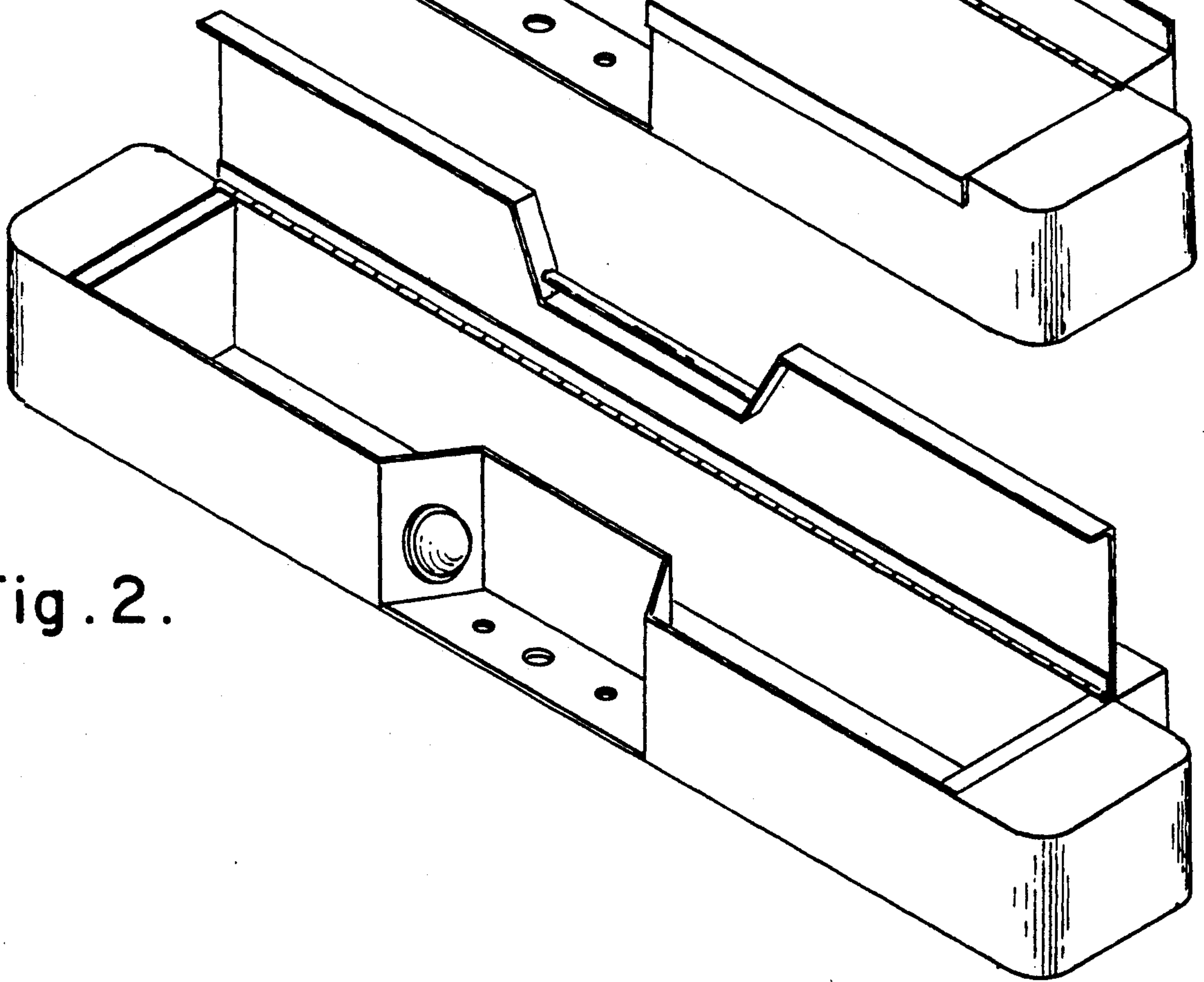


Fig. 2.

Fig. 3.

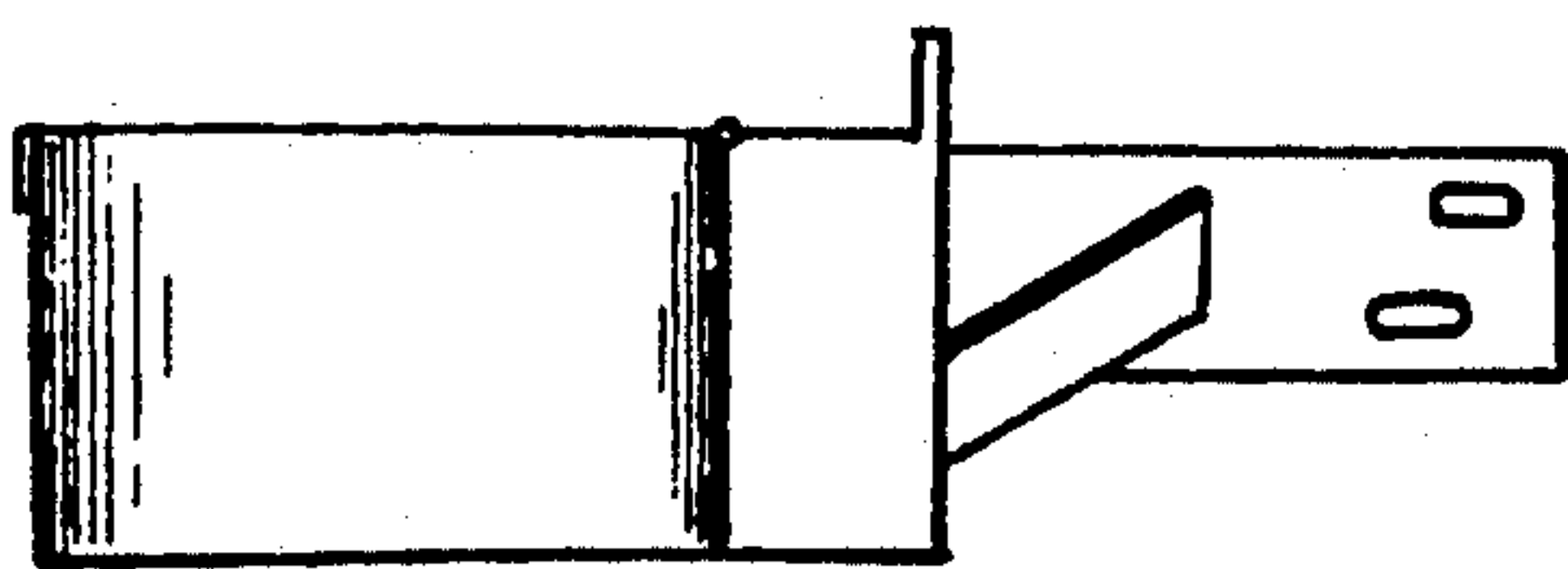


Fig. 4.

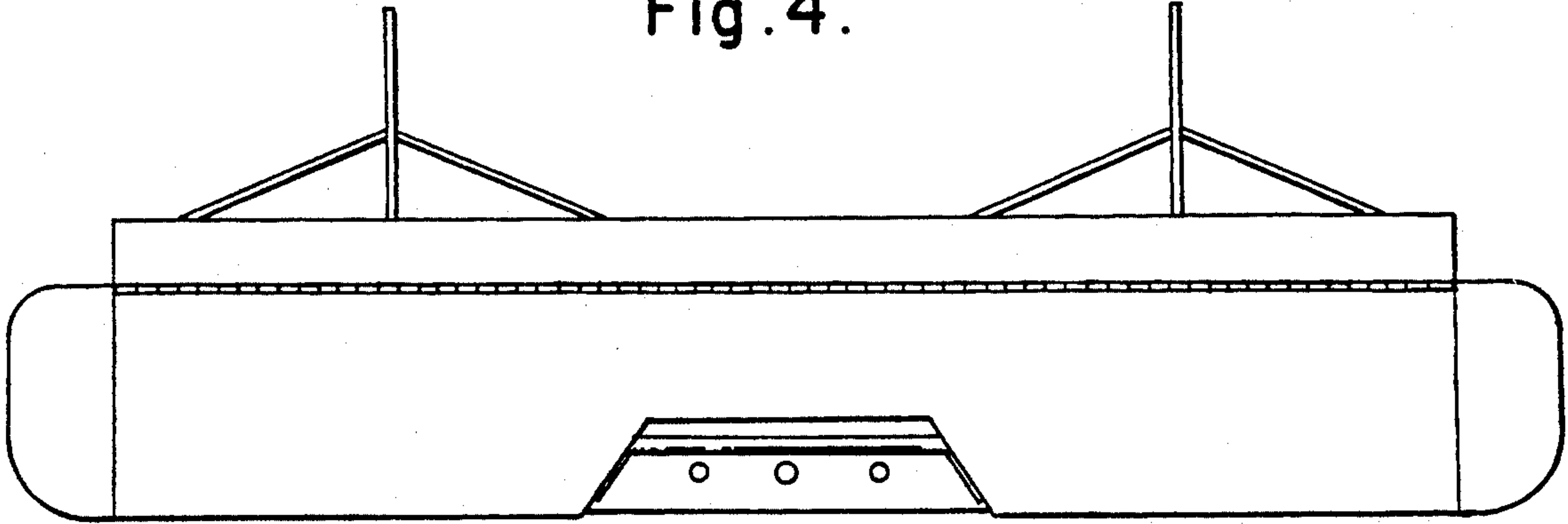


Fig. 5.

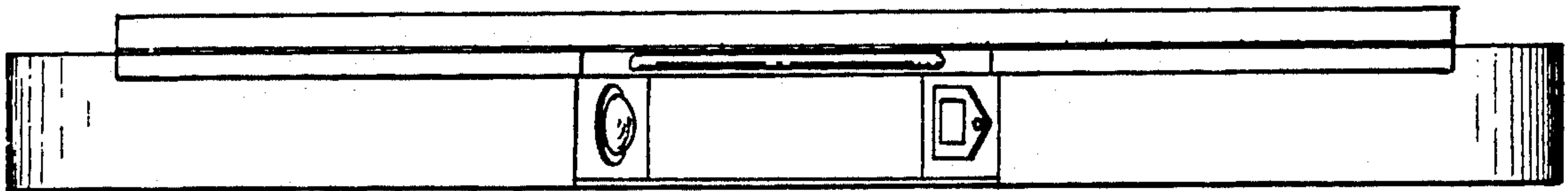


Fig. 6.

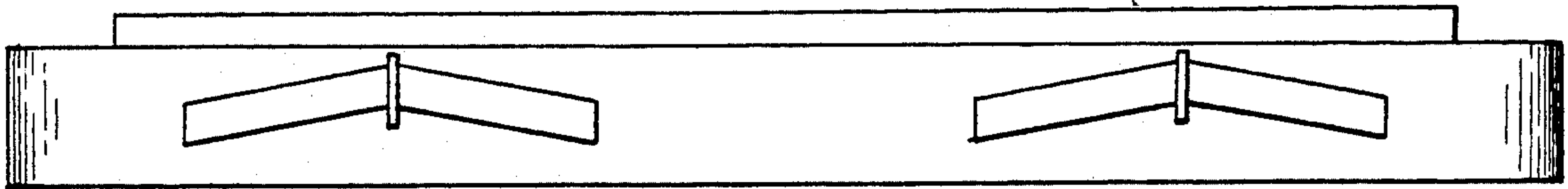


Fig. 7.

