

[54] **TRAILER HITCH COVER**

[76] **Inventor: Roderick E. Yocum, 11615 Detwiler, Columbiana, Ohio 44408**

[**] **Term: 14 Years**

[21] **Appl. No.: 244,254**

[22] **Filed: Sep. 14, 1988**

[52] **U.S. Cl. D12/162**

[58] **Field of Search D12/162; 280/507**

[56] **References Cited**

U.S. PATENT DOCUMENTS

2,517,176	8/1950	Brock	280/507
2,618,489	11/1952	Bishop	280/507
2,714,912	8/1955	Gonnella	280/507
3,228,445	1/1966	Mayotte	280/507
3,596,296	8/1971	Randall	280/507
4,181,320	1/1980	Wellborn, Jr.	280/507

FOREIGN PATENT DOCUMENTS

1407224	6/1965	France	280/507
1096147	12/1967	United Kingdom	280/507

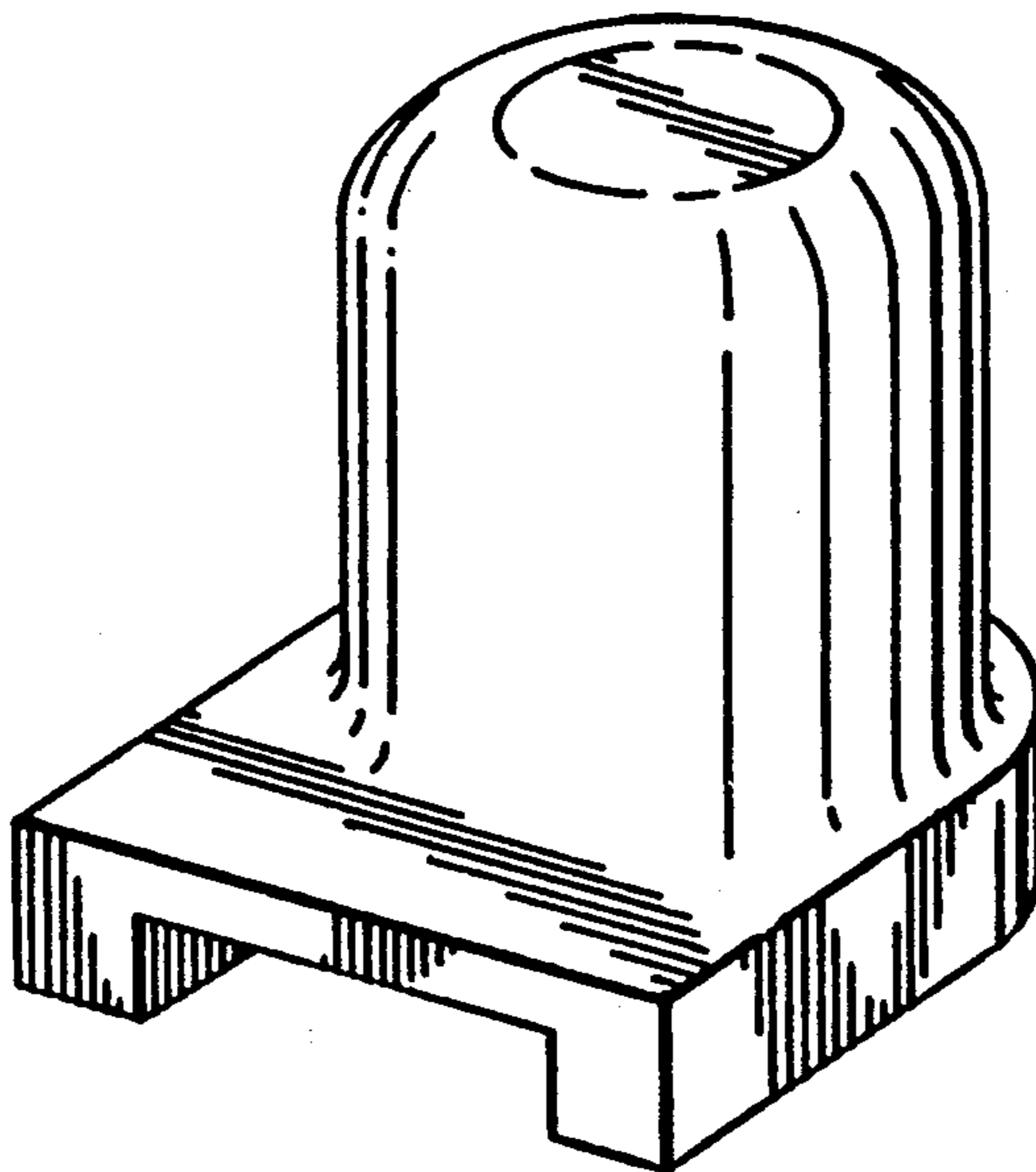
Primary Examiner—James M. Gandy
Assistant Examiner—Melody Brown
Attorney, Agent, or Firm—Harpman & Harpman

[57] **CLAIM**

The ornamental design for a trailer hitch cover, as shown and described.

DESCRIPTION

FIG. 1 is a perspective view of a trailer hitch cover showing my new design;
FIG. 2 is a side elevation view thereof, the opposite side being a mirror image of that shown;
FIG. 3 is a rear elevation view thereof;
FIG. 4 is a bottom plan view thereof; and
FIG. 5 is a top plan view thereof.



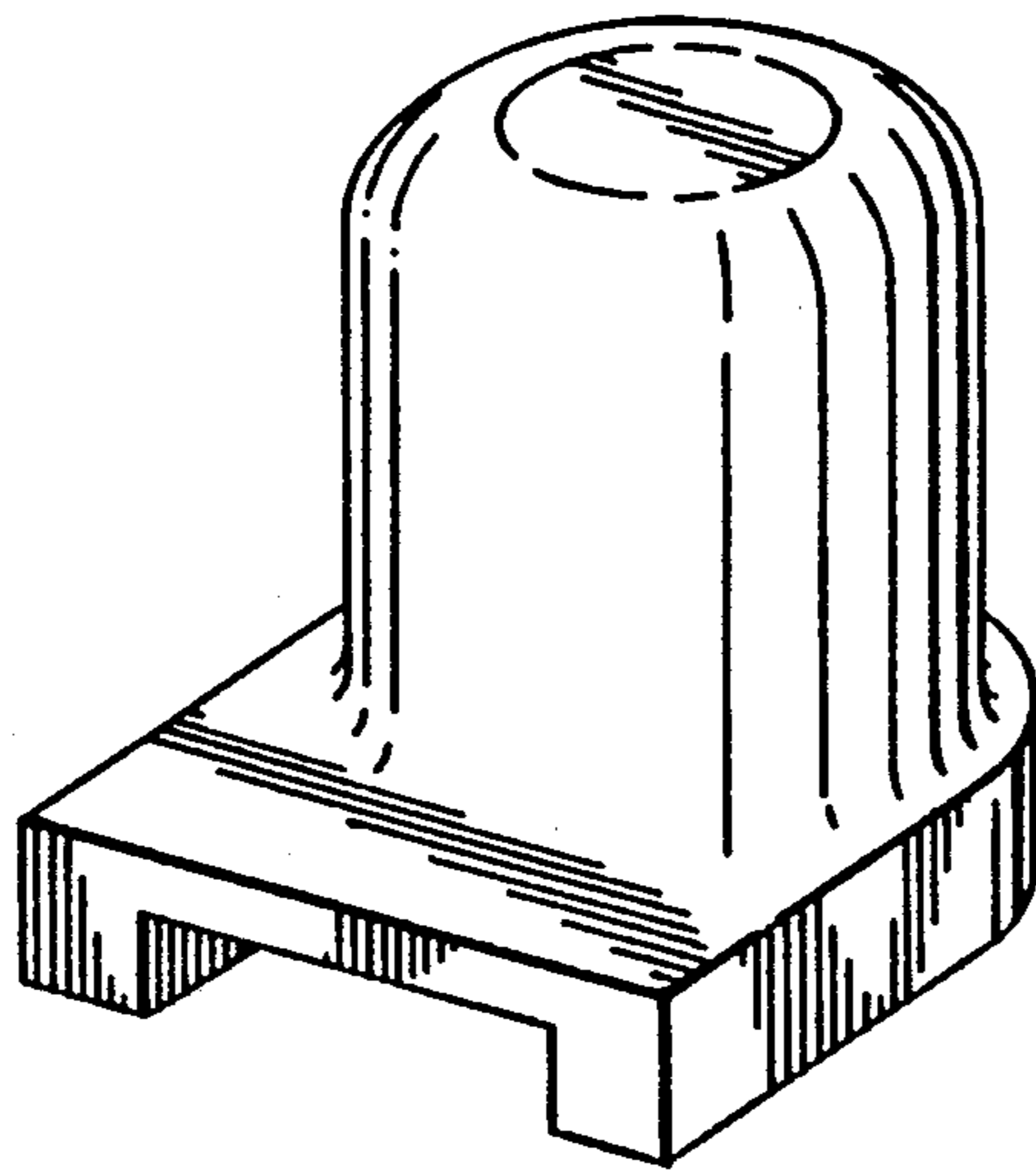


FIG. 1

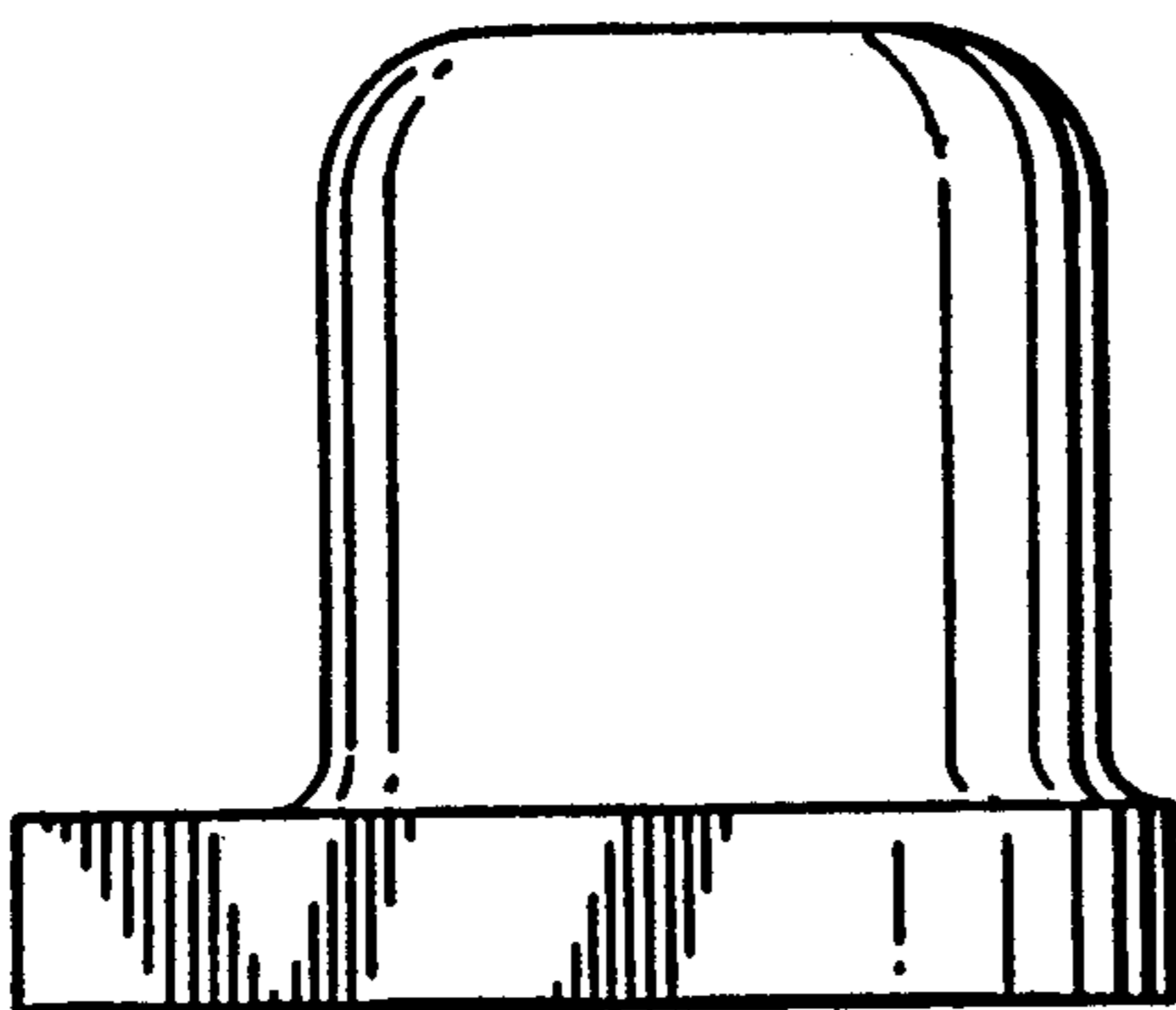


FIG. 2

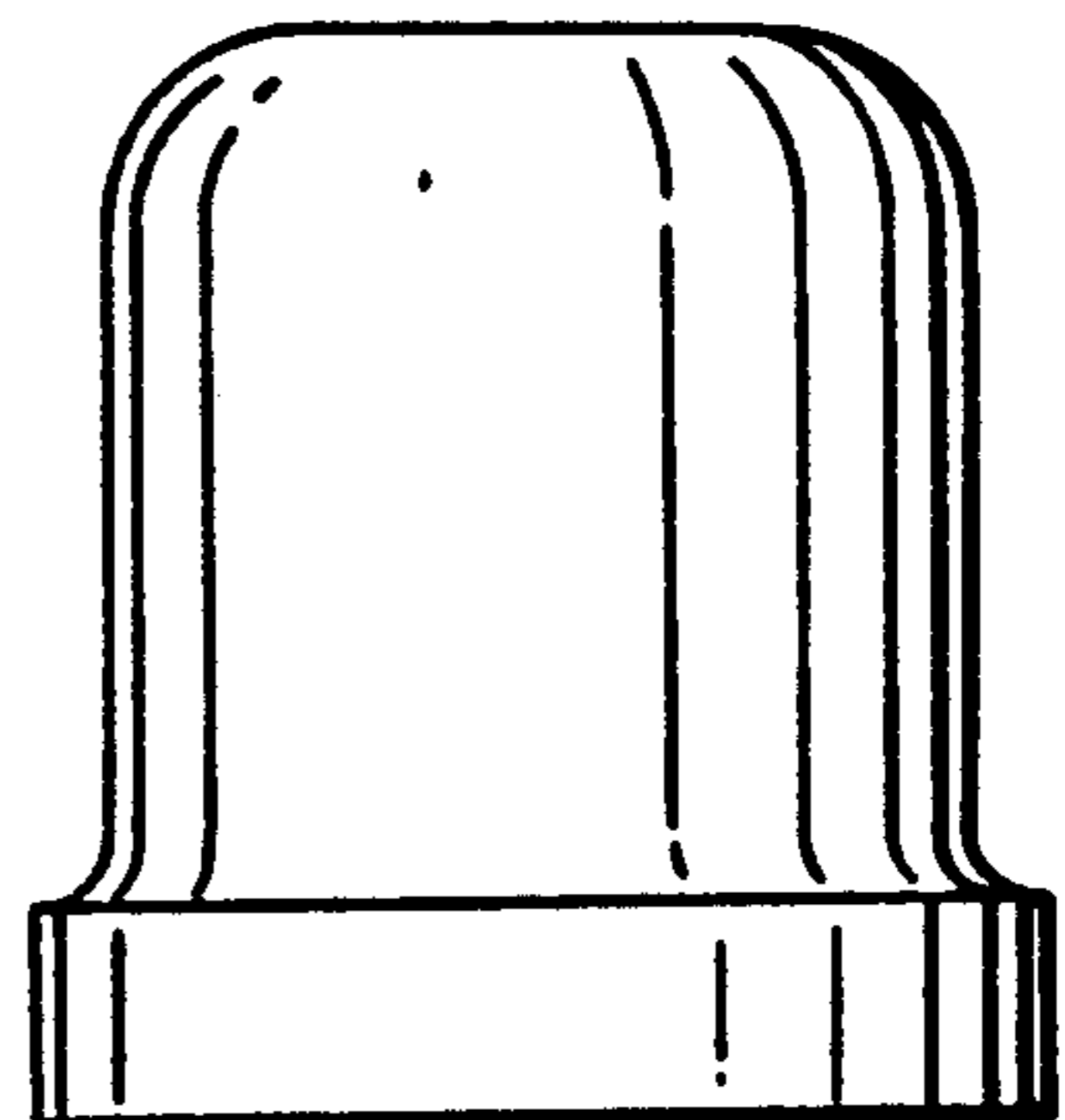


FIG. 3

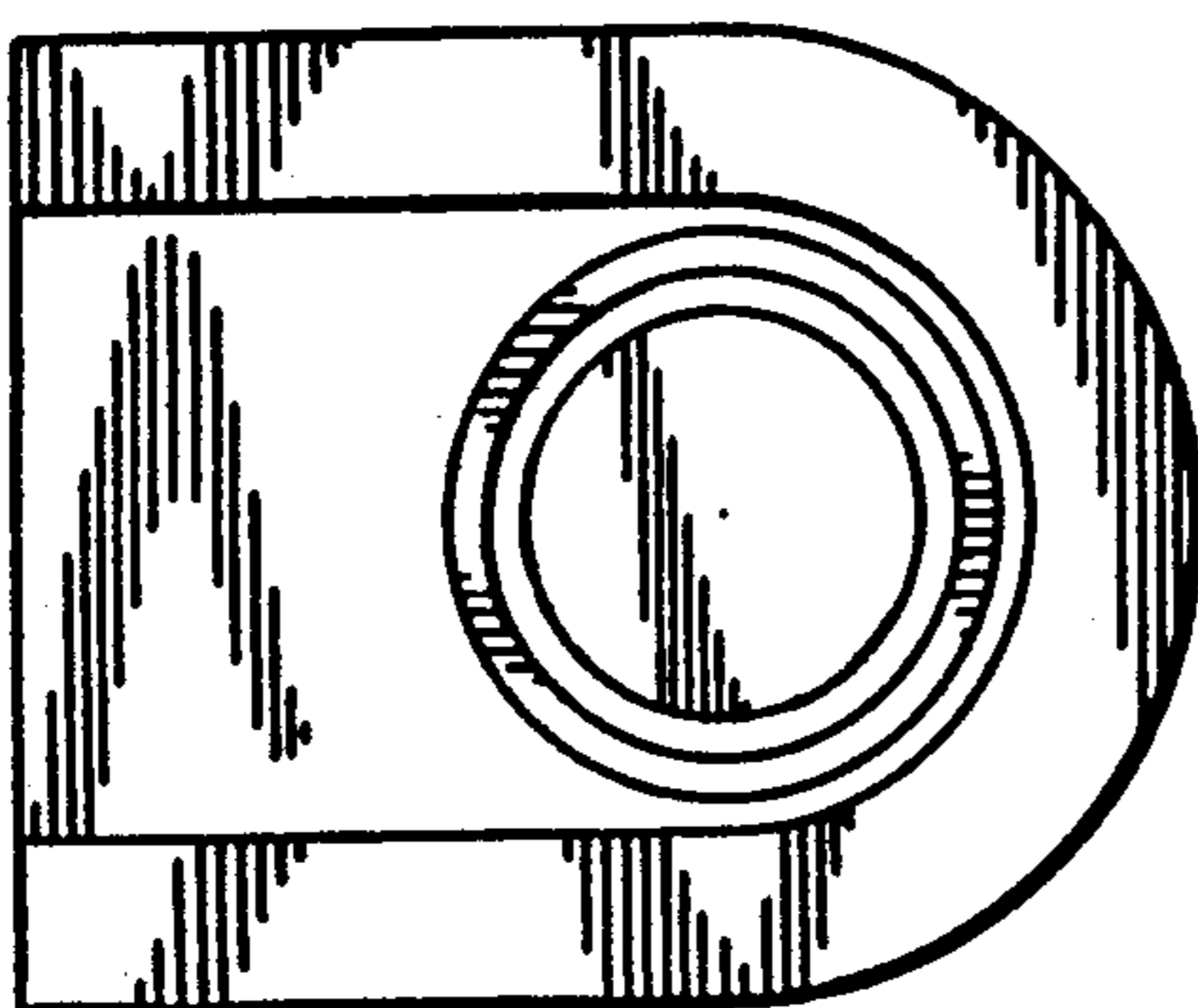


FIG. 4

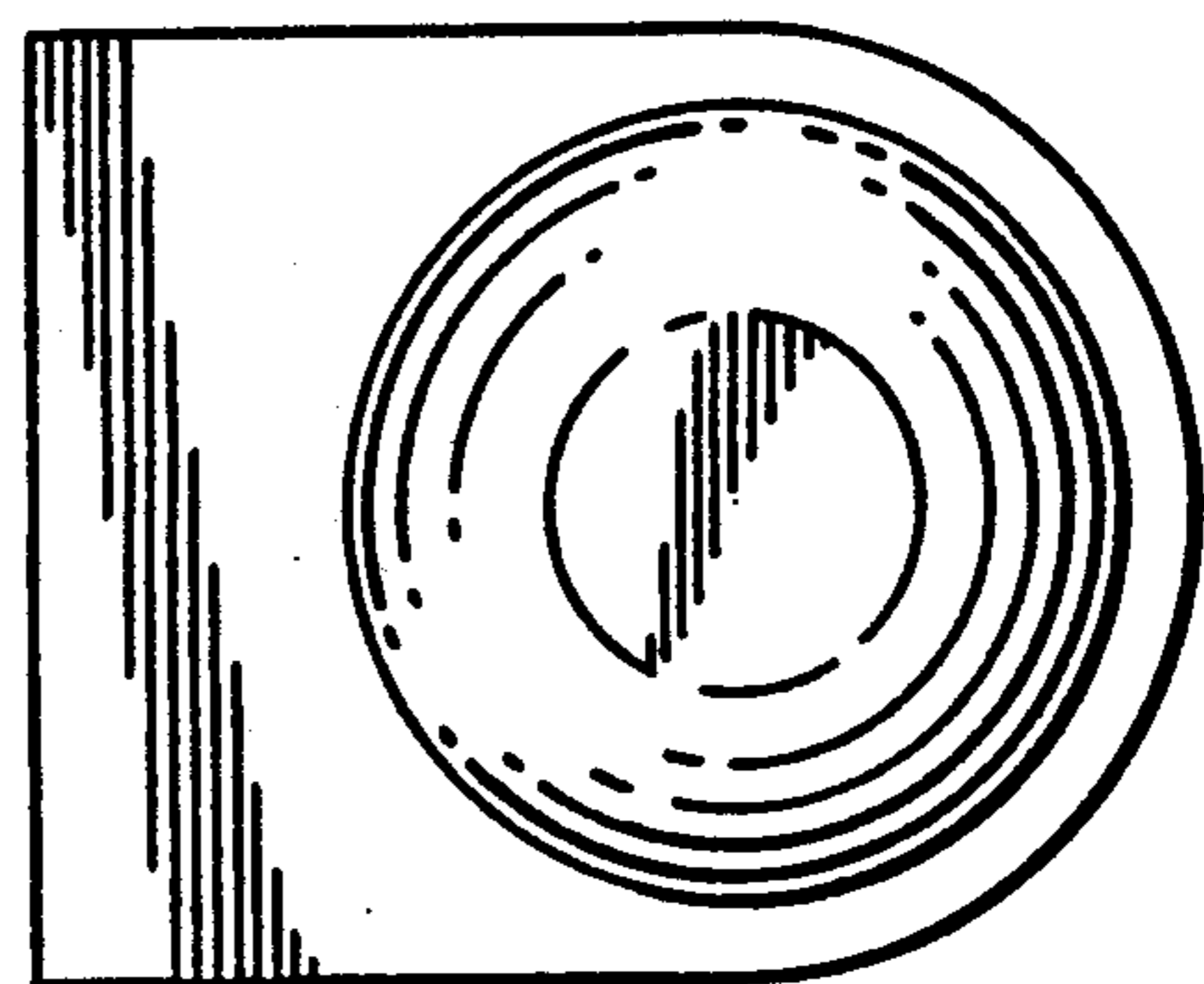


FIG. 5