

[54] TIRE

[75] Inventors: Philip S. Hammond, Uniontown; Paul B. Maxwell, Akron, both of Ohio

[73] Assignee: The Goodyear Tire & Rubber Company, Akron, Ohio

[\*\*] Term: 14 Years

[21] Appl. No.: 296,154

[22] Filed: Jan. 12, 1989

[52] U.S. Cl. .... D12/146

[58] Field of Search ..... D12/136, 140, 145-151; 152/209 R, 209 B, 209 D

[56] References Cited

U.S. PATENT DOCUMENTS

D. 307,881 5/1990 Miller et al. .... D12/147

FOREIGN PATENT DOCUMENTS

90703 7/1981 Japan ..... 152/209 D

OTHER PUBLICATIONS

1988 Tire Design Guide, p. 37, General XP 2000 Z Tire, bottom right side of page.

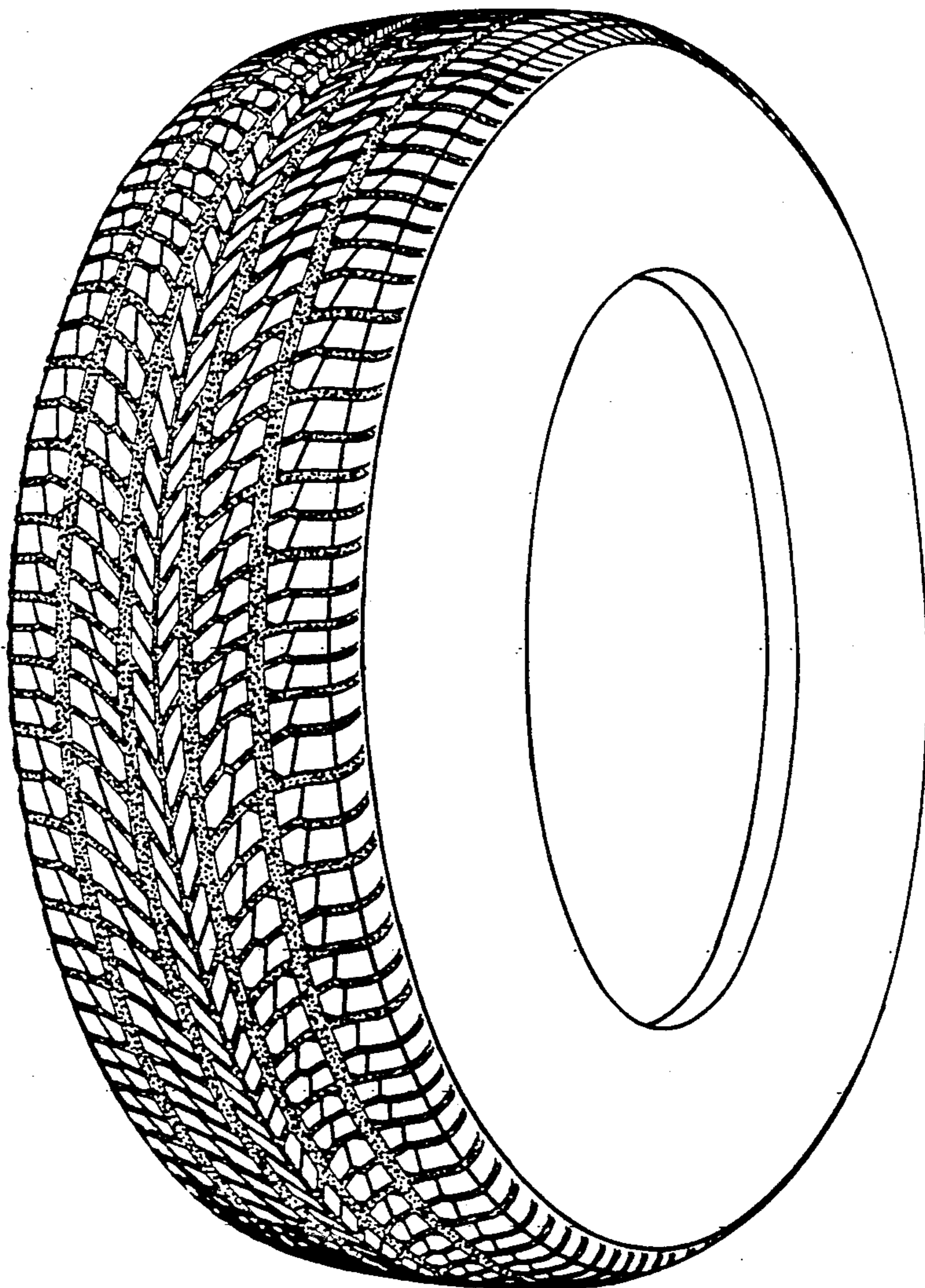
Primary Examiner—James M. Gandy  
Attorney, Agent, or Firm—T. P. Lewandowski; L. R. Drayer

[57] CLAIM

The ornamental design for a tire, as shown and described.

DESCRIPTION

FIG. 1 is a perspective view of a tire showing our new design, it being understood that the tread pattern is repeated throughout the circumference of the tire, the opposite side being substantially the same as that shown; FIG. 2 is a front elevational view thereof; FIG. 3 is a side elevational view thereof on reduced scale; FIG. 4 is an enlarged fragmentary front elevational view thereof.



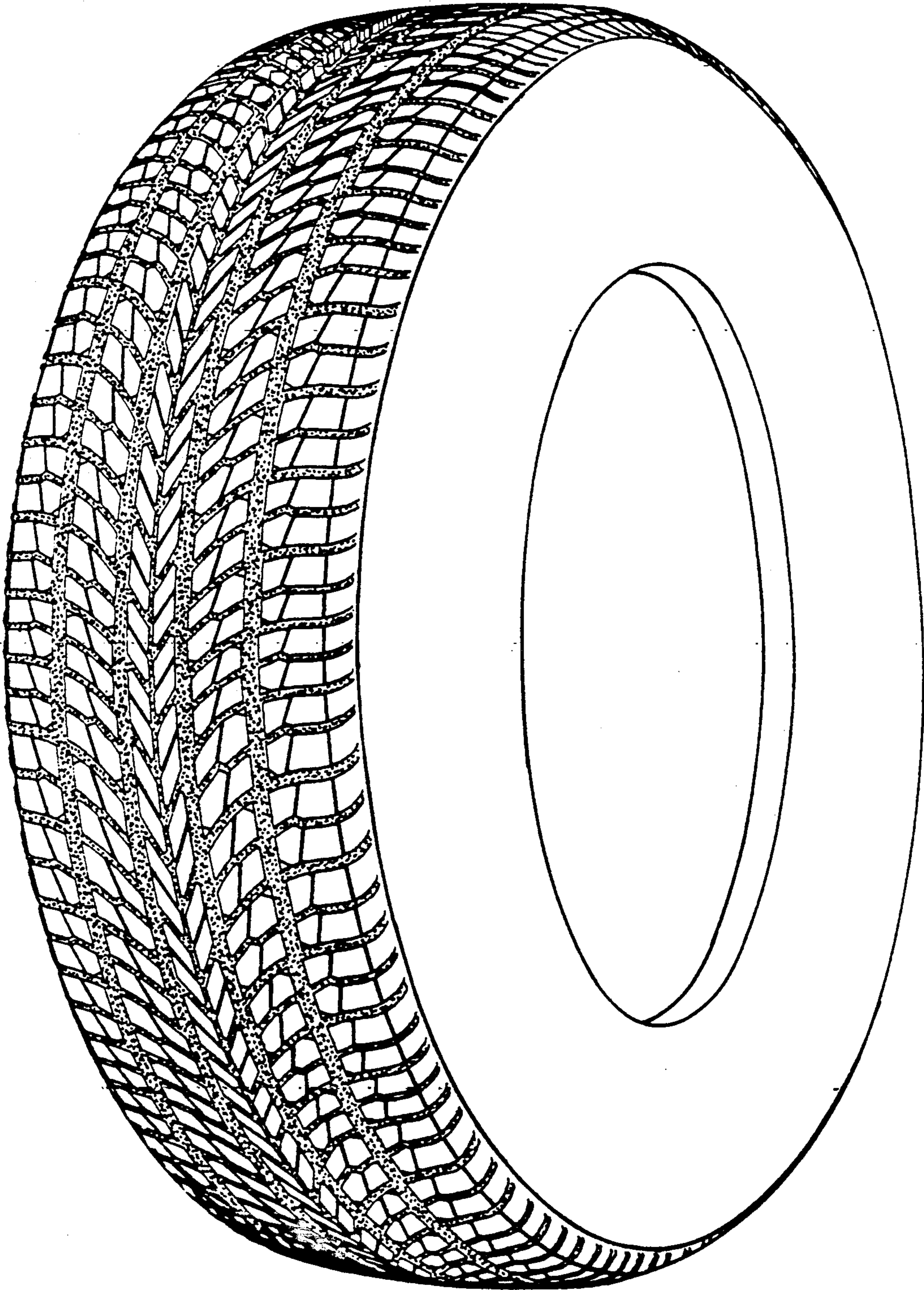


FIG. 1

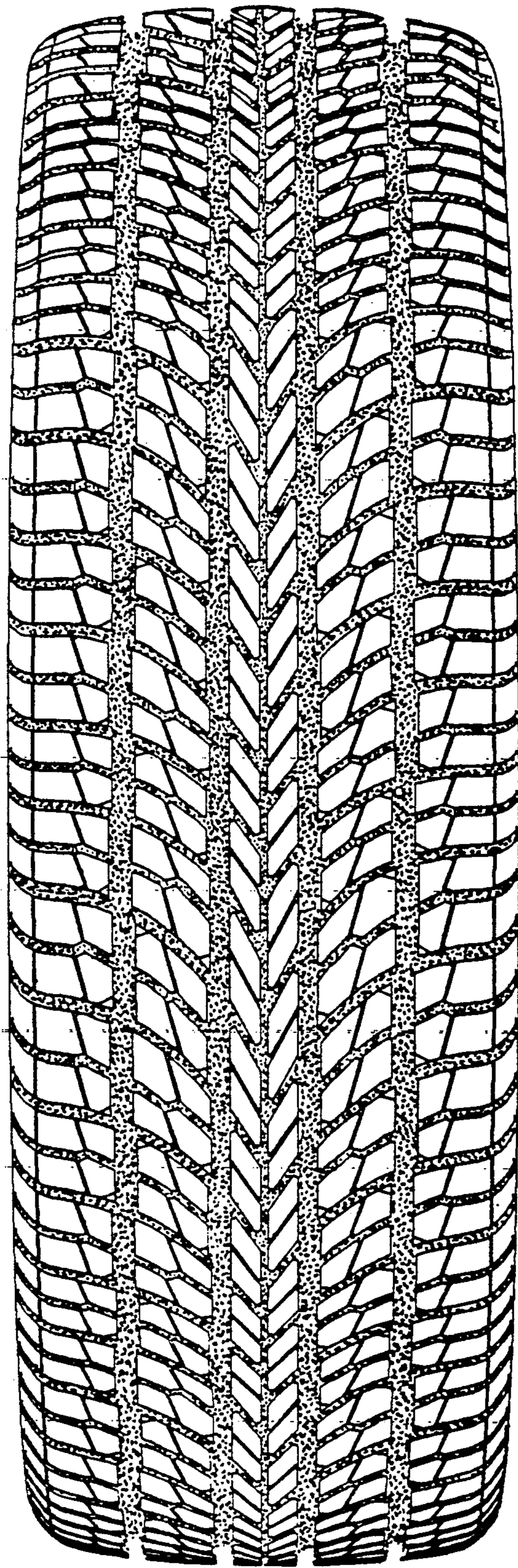


FIG. 2

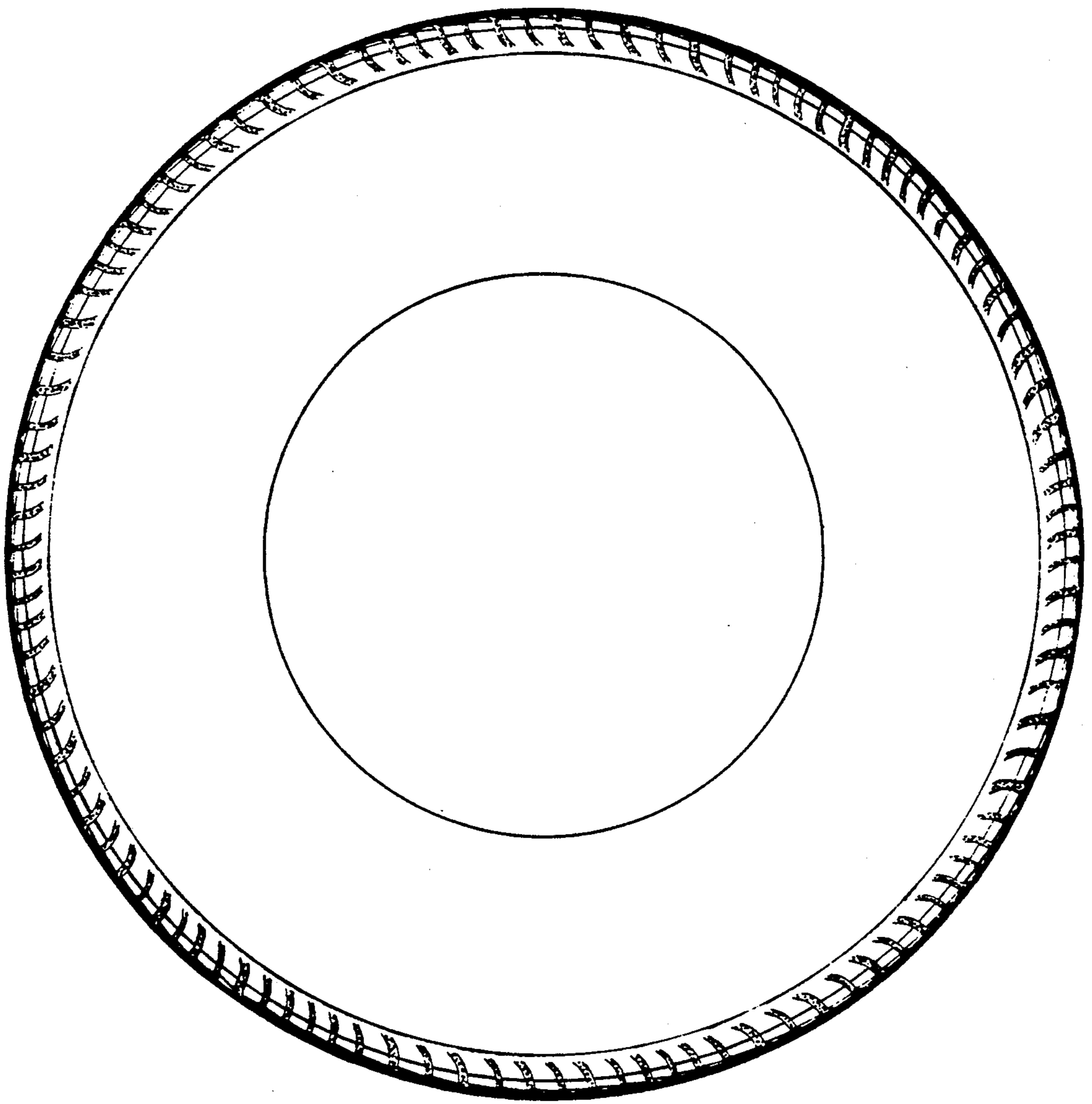


FIG.3

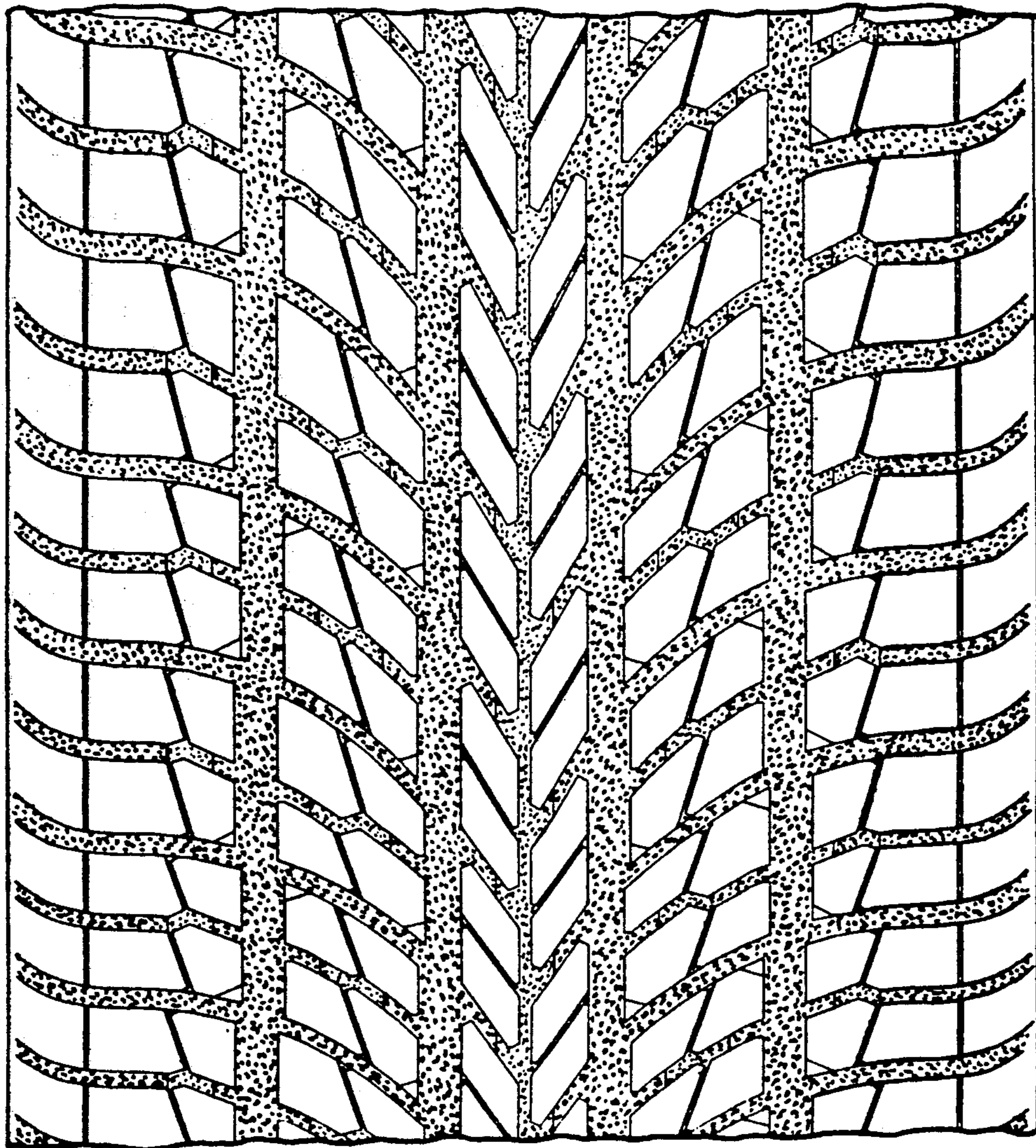


FIG. 4