

- [54] POWER DRIVE WHEELCHAIR
- [75] Inventor: James J. Michel, Agoura, Calif.
- [73] Assignee: Everest & Jennings, Inc., Camarillo, Calif.
- [**] Term: 14 Years
- [21] Appl. No.: 254,796
- [22] Filed: Oct. 7, 1988
- [52] U.S. Cl. D12/131
- [58] Field of Search D12/131, 128; 280/250.1, 647; 180/907; 297/DIG. 4

Primary Examiner—Kay H. Chin
Attorney, Agent, or Firm—Kelly, Bauersfeld & Lowry

[57] CLAIM

The ornamental design for a power drive wheelchair, as shown and described.

DESCRIPTION

FIG. 1 is a front, right side and top perspective view of a power drive wheelchair showing my new design; FIG. 2 is a left side elevational view thereof, the right side elevational view being a mirror image of that shown; FIG. 3 is a front elevation view thereof; FIG. 4 is a rear elevation view thereof; FIG. 5 is a top plan view thereof; FIG. 6 is a bottom plan view thereof; FIG. 7 is a front, right side and top perspective view of a second embodiment of the power drive wheelchair, the sole difference between the first embodiment being in the different spoke configuration of a wheel; FIG. 8 is a left side elevational view of FIG. 7; and FIG. 9 is a bottom perspective view of the embodiment of FIGS. 1-6.

- [56] References Cited
- U.S. PATENT DOCUMENTS
- 4,387,325 6/1983 Klimo 180/907
- 4,676,519 6/1987 Meier D12/131
- 4,887,830 12/1989 Foughr et al. 280/250.1
- FOREIGN PATENT DOCUMENTS
- 3530675 3/1987 Fed. Rep. of Germany ... 280/250.1
- 2380772 10/1978 France 180/907

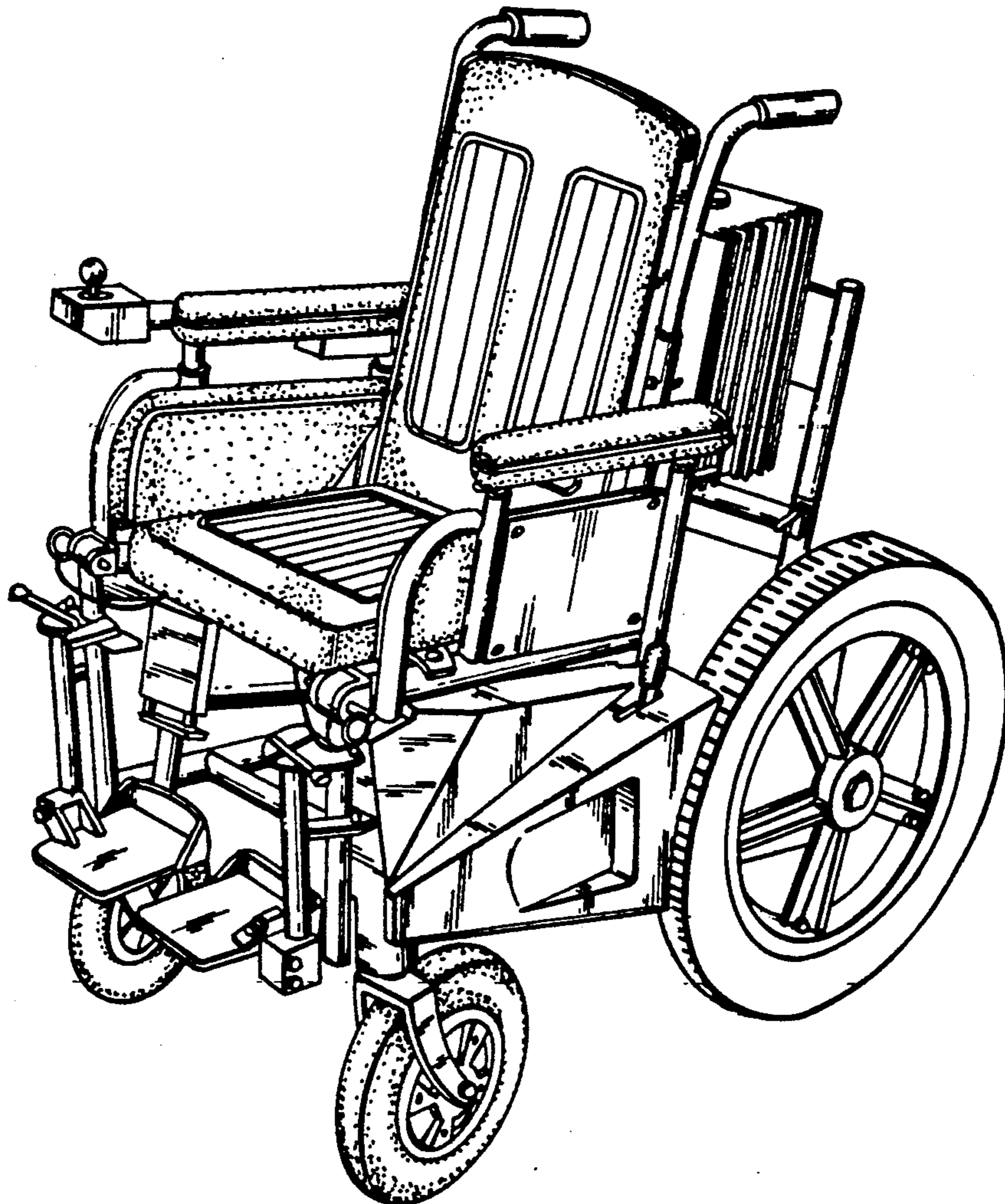


FIG. 1

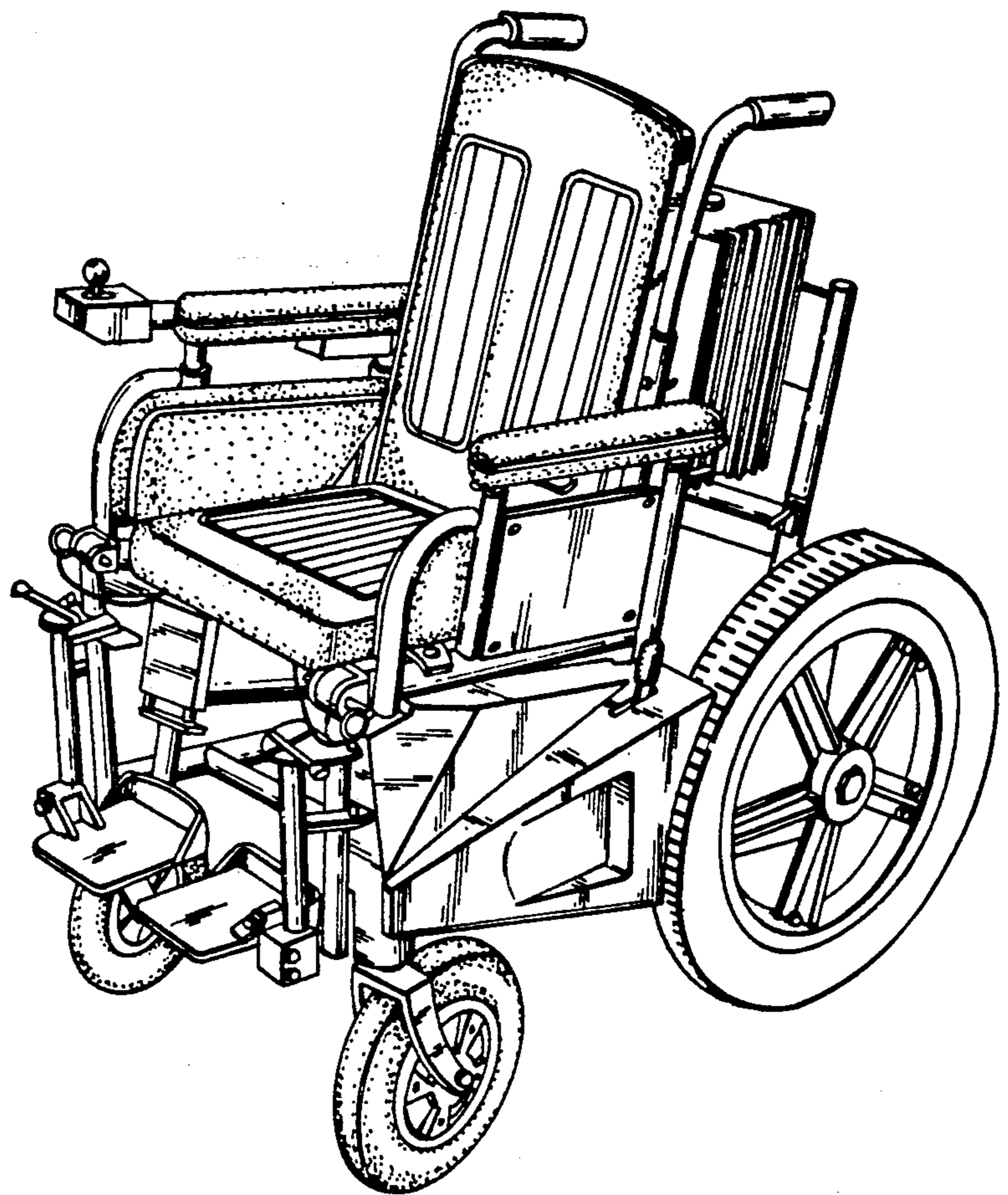


FIG. 2

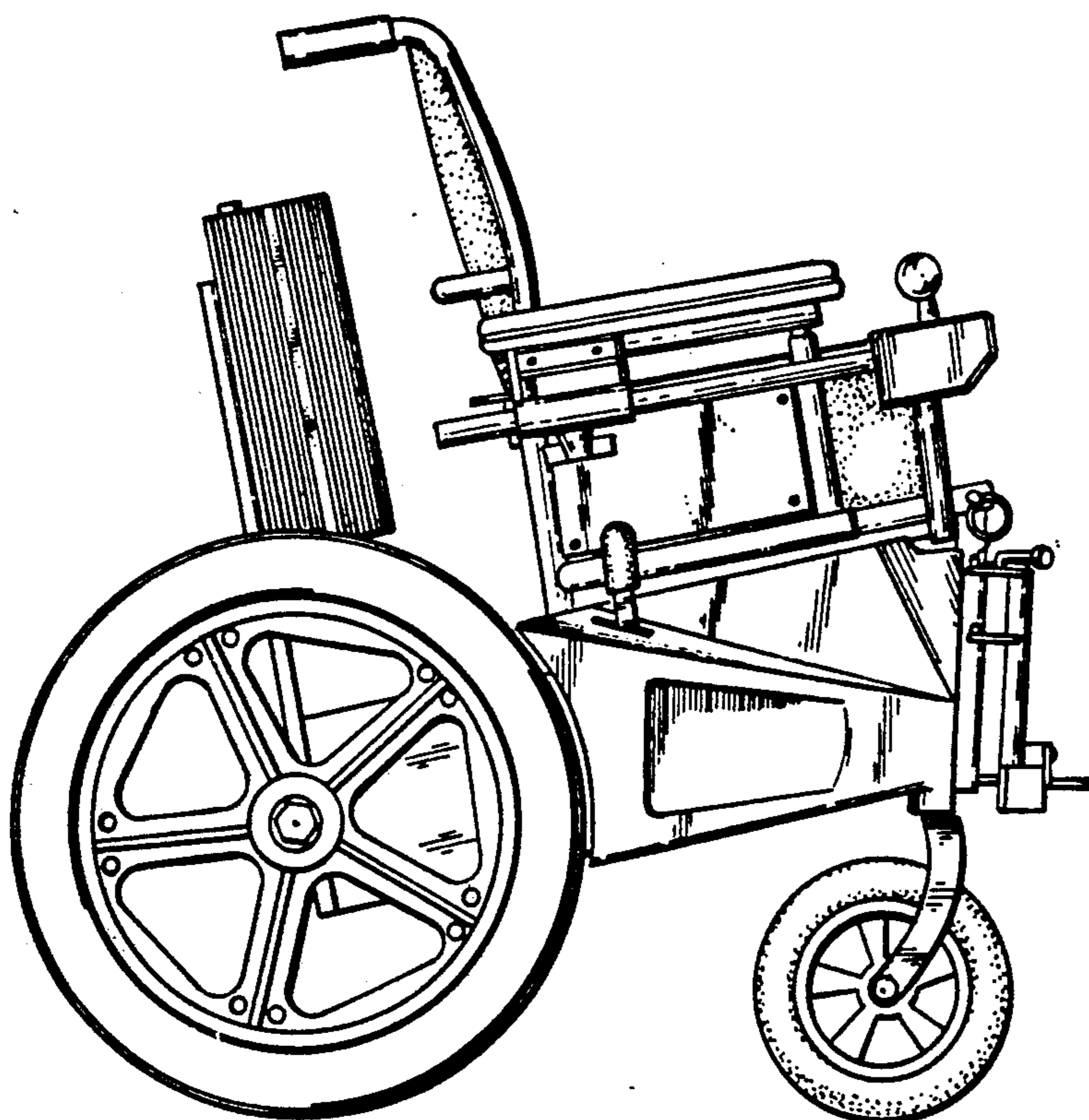


FIG. 3

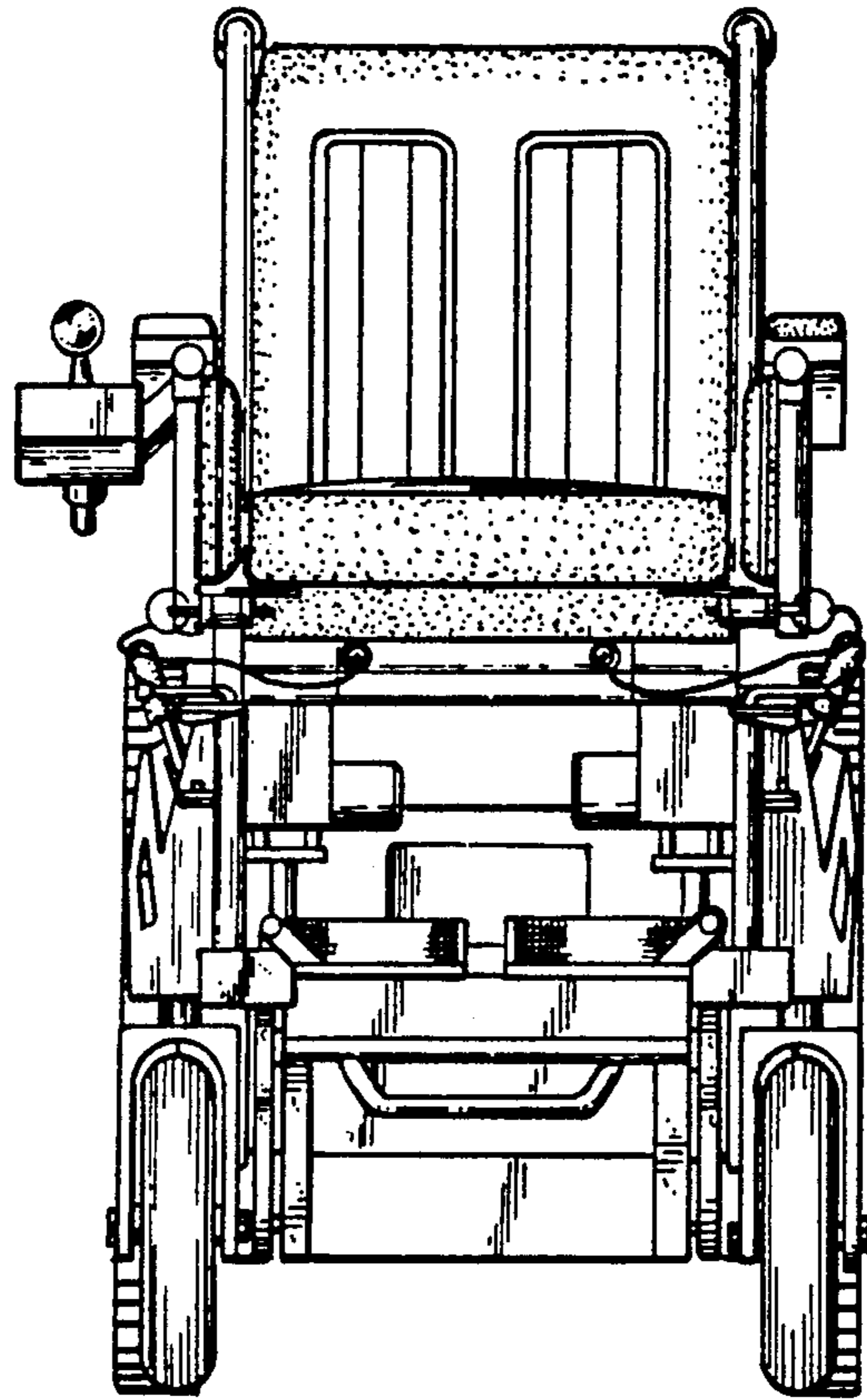


FIG. 4

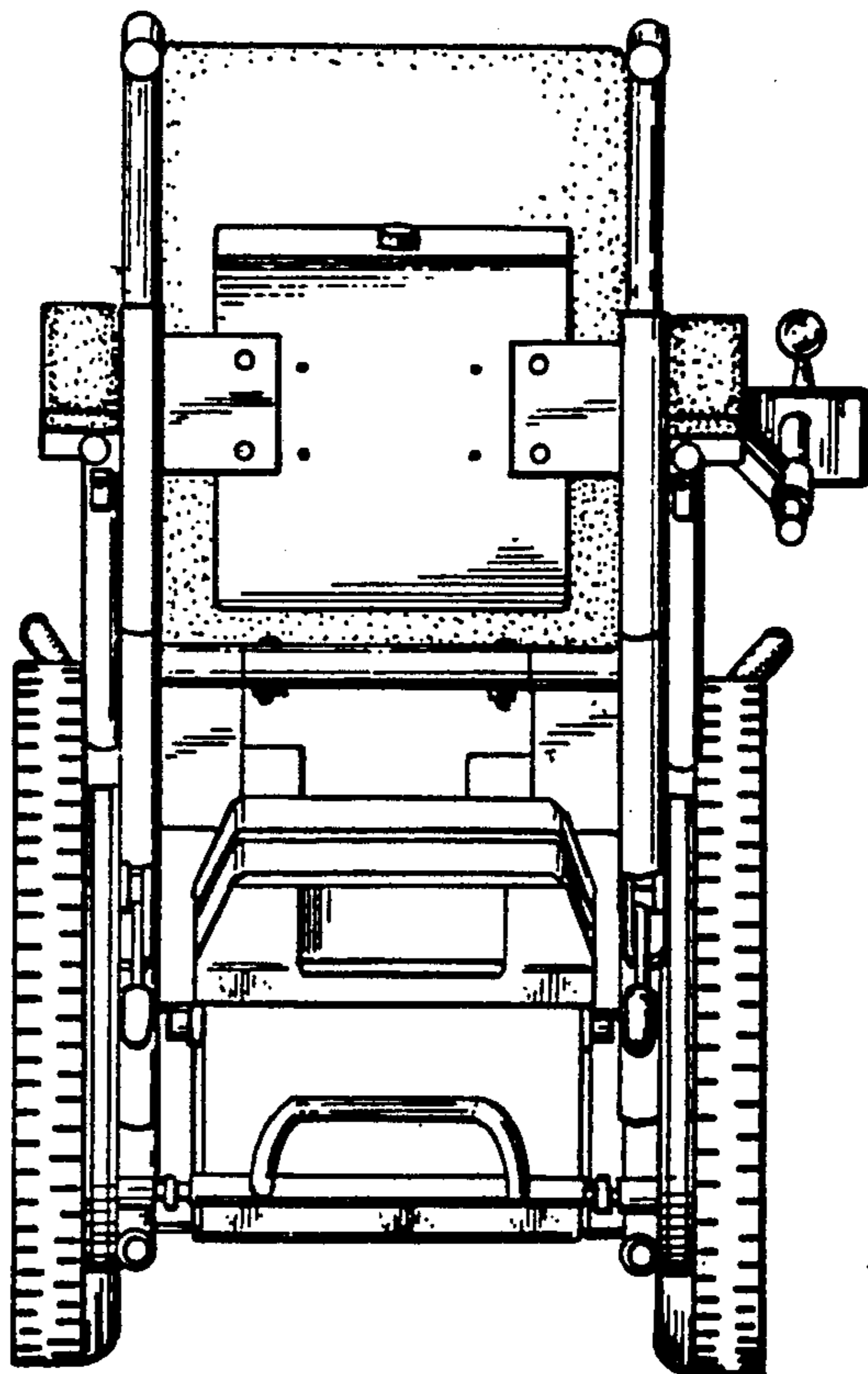


FIG. 5

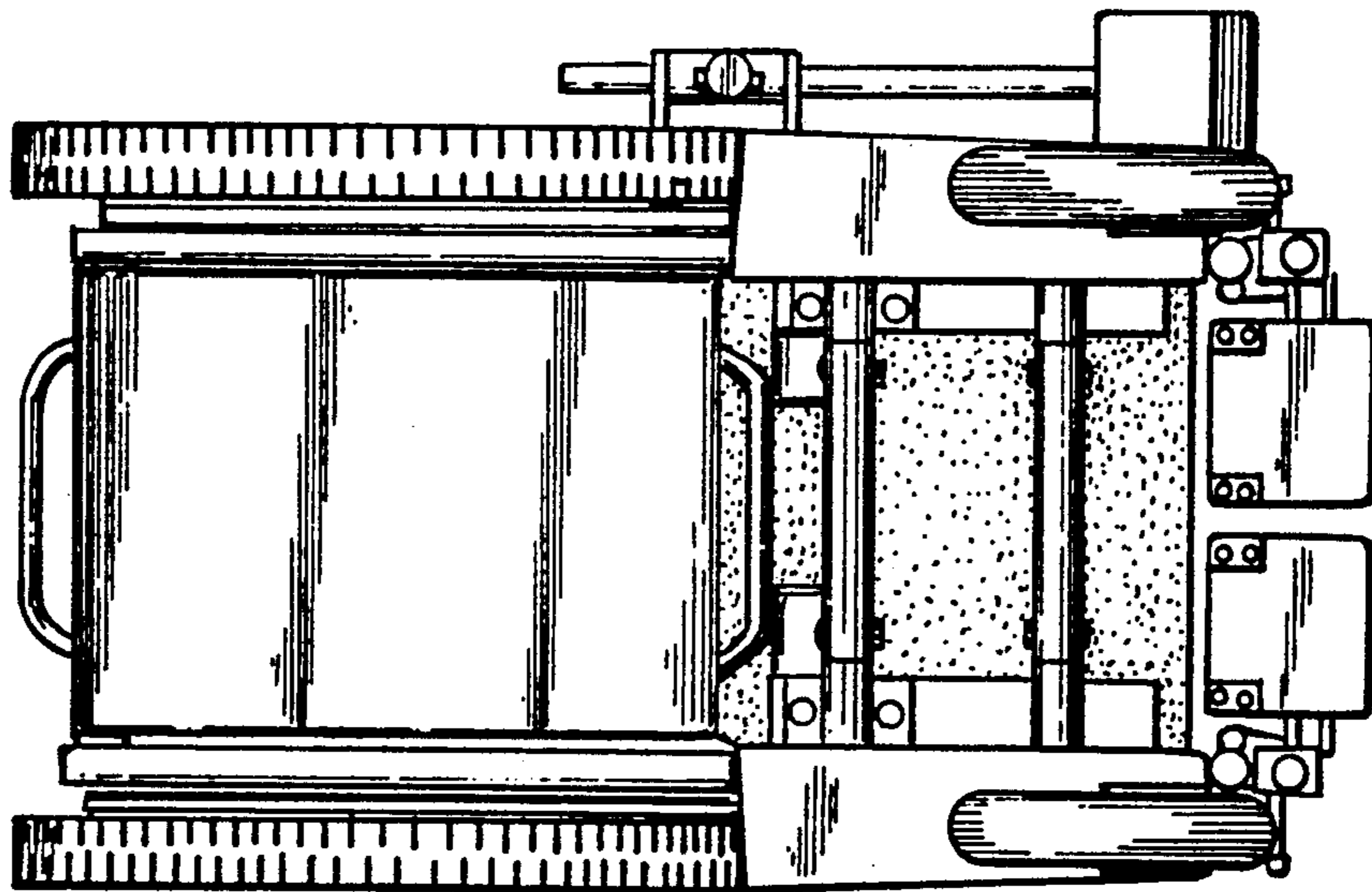
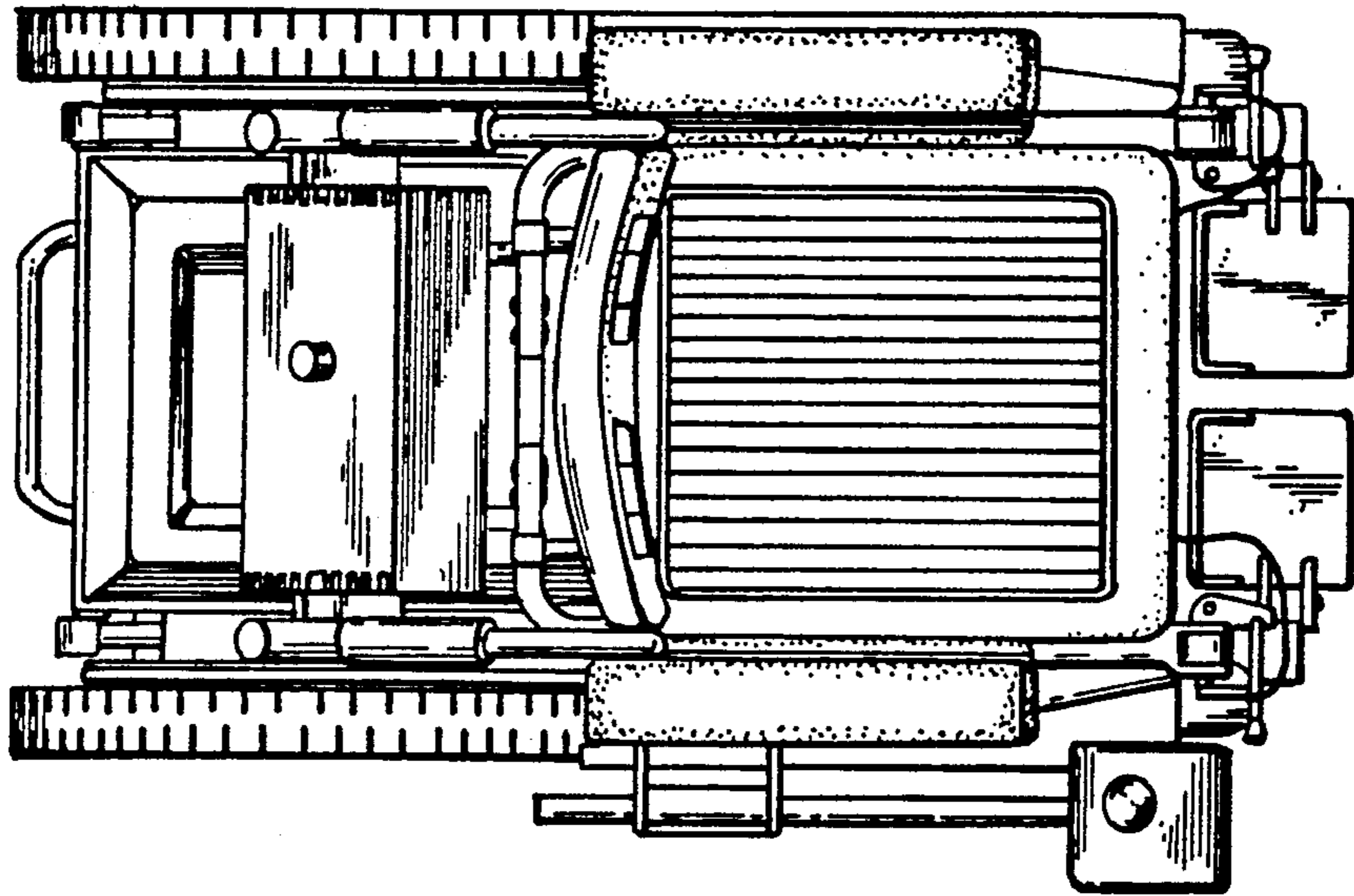


FIG. 6

FIG. 7

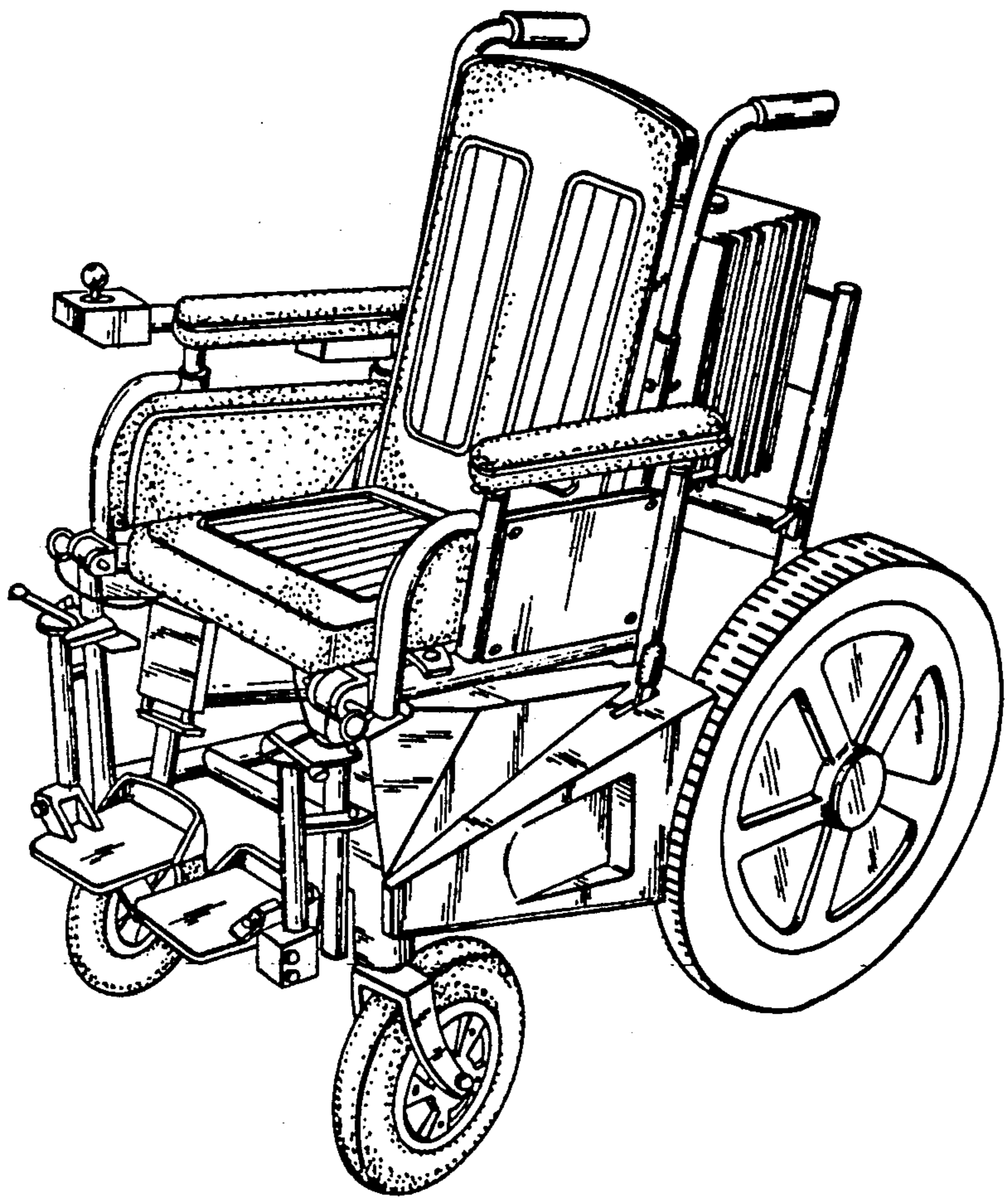
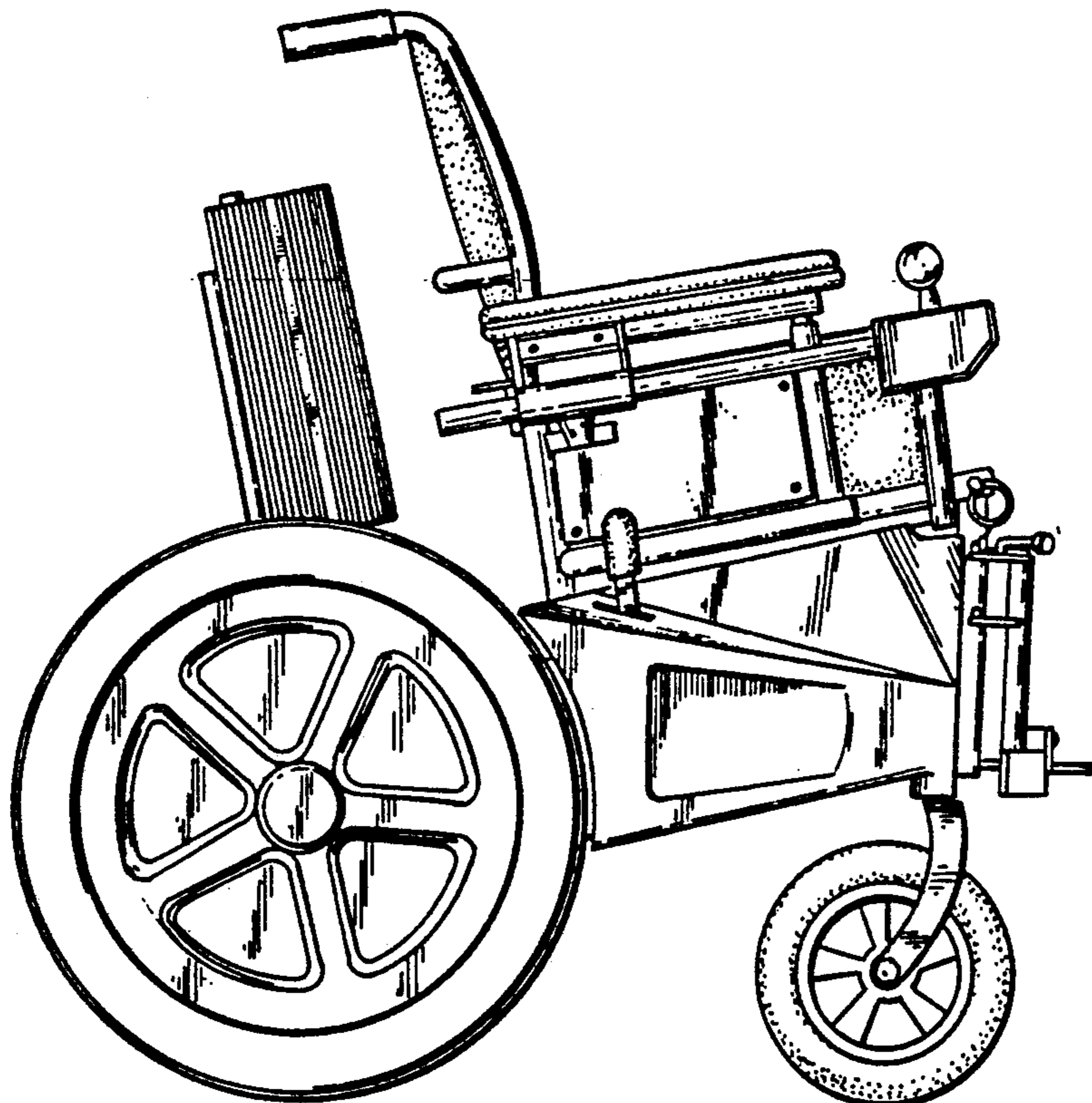


FIG. 8



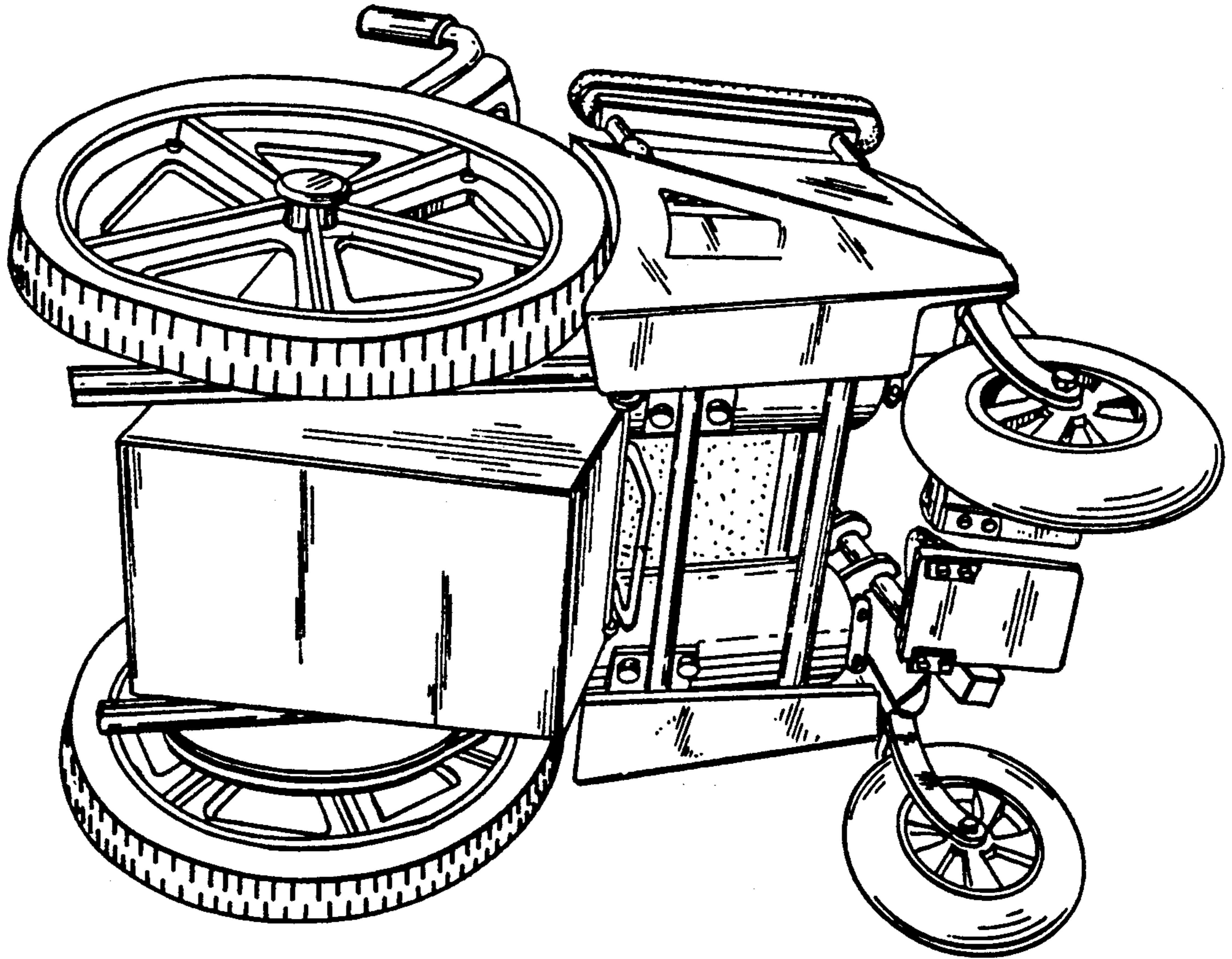


FIG. 9