

[54] RAIL-MOUNTABLE PLANTER

[76] Inventors: Deryl K. Mitchell; Jeannine C. Mitchell, both of 3857 25th Ave. W., Seattle, Wash. 98199

[**] Term: 14 Years

[21] Appl. No.: 288,536

[22] Filed: Dec. 21, 1988

[52] U.S. Cl. D11/156; D6/556; D6/572; D6/573

[58] Field of Search D11/143, 155, 156; 47/66, 68, 40; 211/80; D6/573, 556, 558, 572

[56] References Cited

U.S. PATENT DOCUMENTS

D. 265,893	8/1982	Whiting	D11/156
D. 293,182	12/1987	Carter	D6/573
D. 298,305	11/1988	Granger	D11/156
2,477,509	7/1949	Burgesser	47/68
4,048,754	9/1977	Laux	47/68
4,559,738	12/1985	Helfman	47/66
4,640,045	2/1987	Nesbit et al.	47/41.01

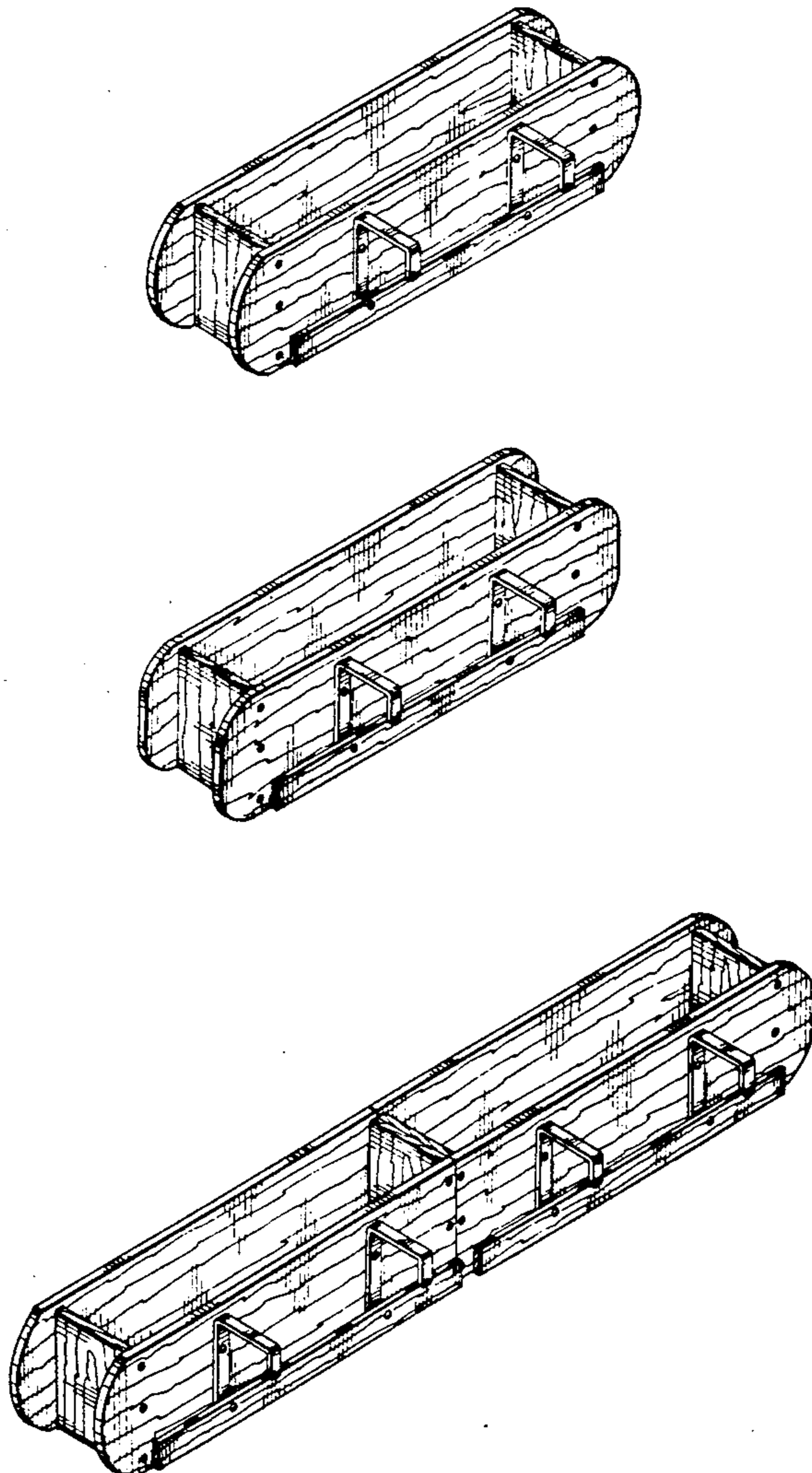
Primary Examiner—B. J. Bullock
Attorney, Agent, or Firm—Ward Brown; Robert W. Beach

[57] CLAIM

The ornamental design for a rail-mountable planter, as shown and described.

DESCRIPTION

FIG. 1 is a top rear perspective view of a rail-mountable planter showing my new design;
 FIG. 2 is a front elevational view thereof;
 FIG. 3 is a right side elevational view thereof;
 FIG. 4 is a top plan view thereof;
 FIG. 5 is a bottom plan view thereof;
 FIG. 6 is a top rear perspective view of a second embodiment of the design of FIG. 1, the only difference being the configuration of the ends;
 FIG. 7 is a right end elevational view of FIG. 6;
 FIG. 8 is a top rear perspective view of a third embodiment of the design of FIG. 1, the only difference being the duplication of the planter and the configuration of their juncture;
 FIG. 9 is a right side elevational view of FIG. 8.



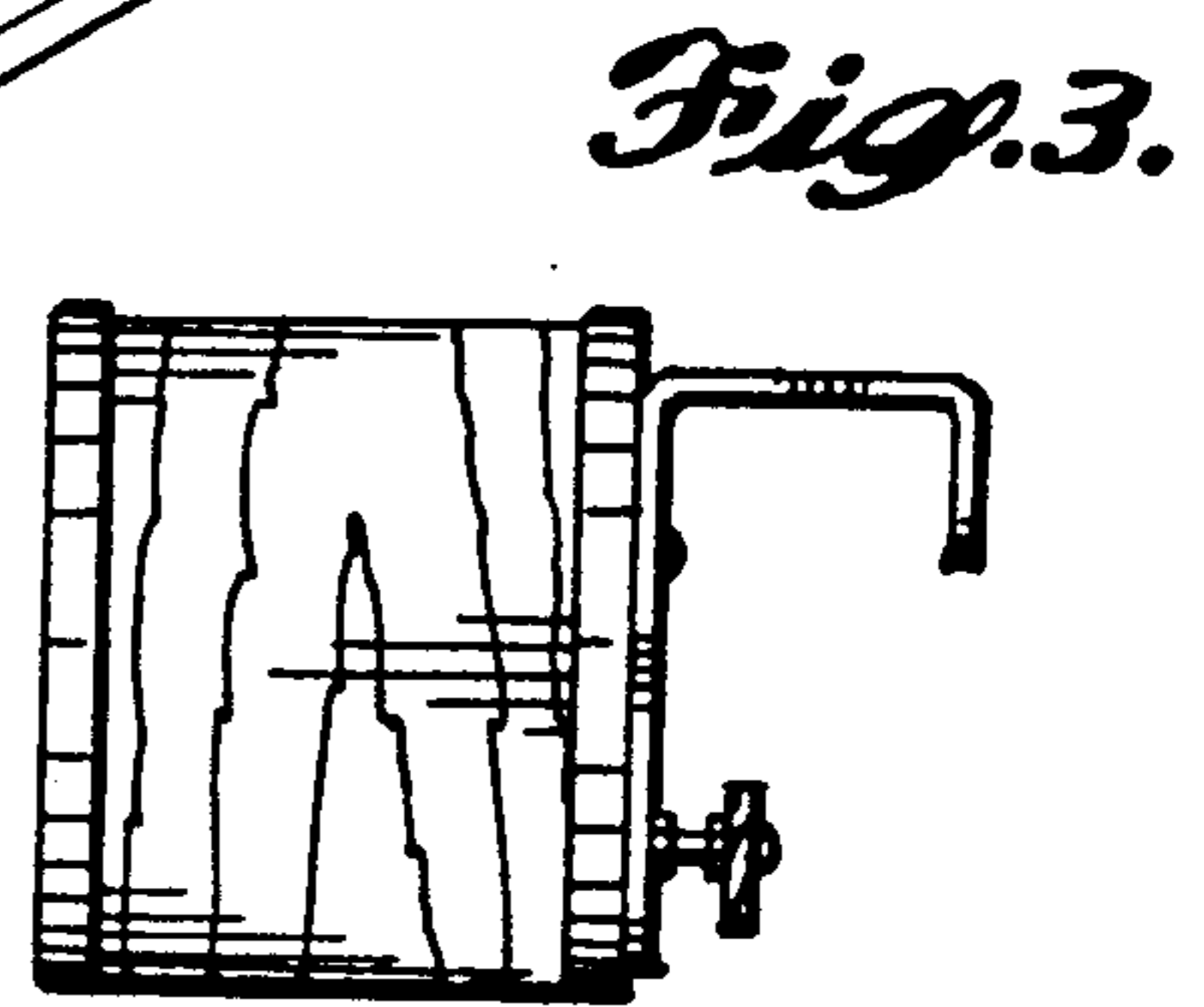
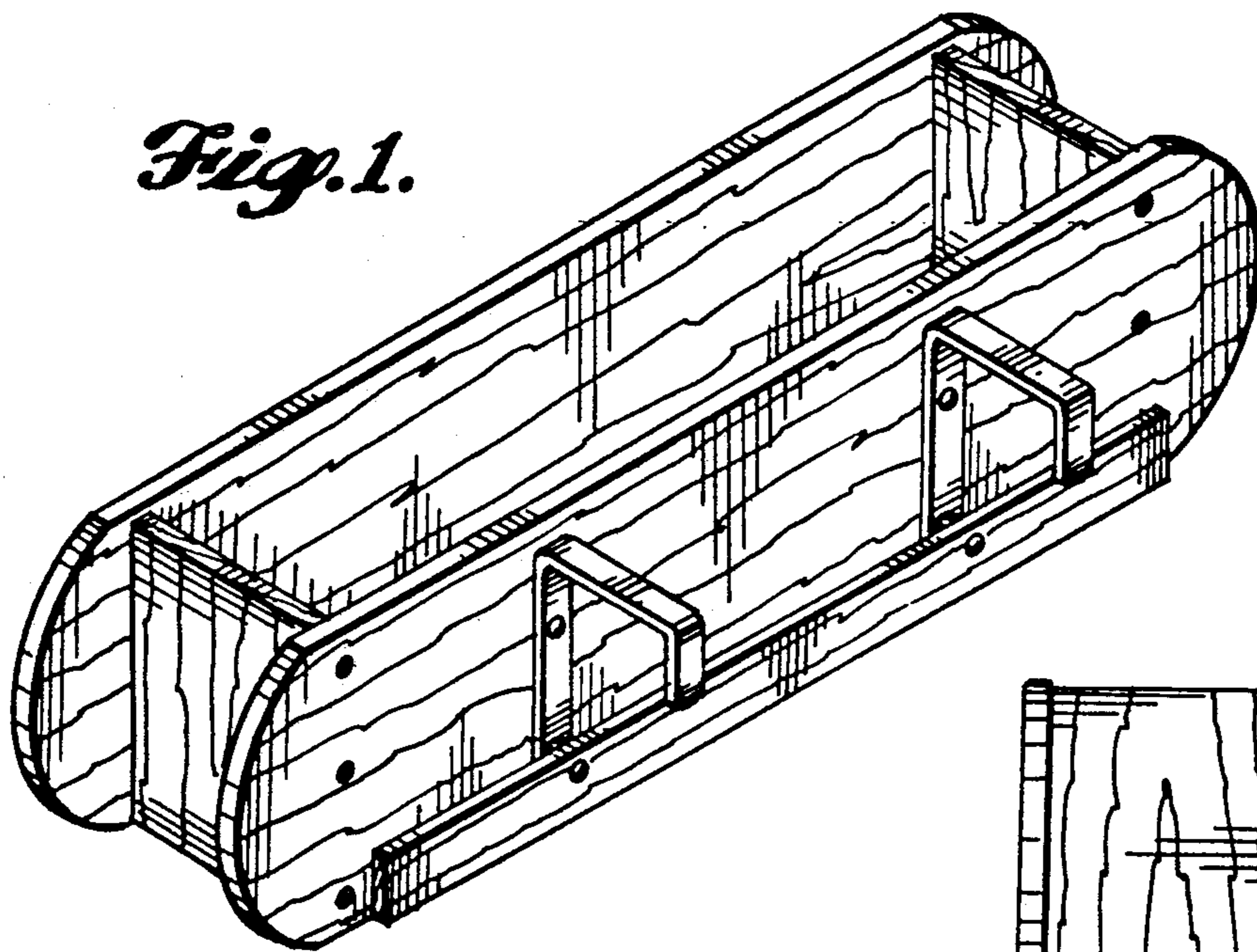


Fig. 4.

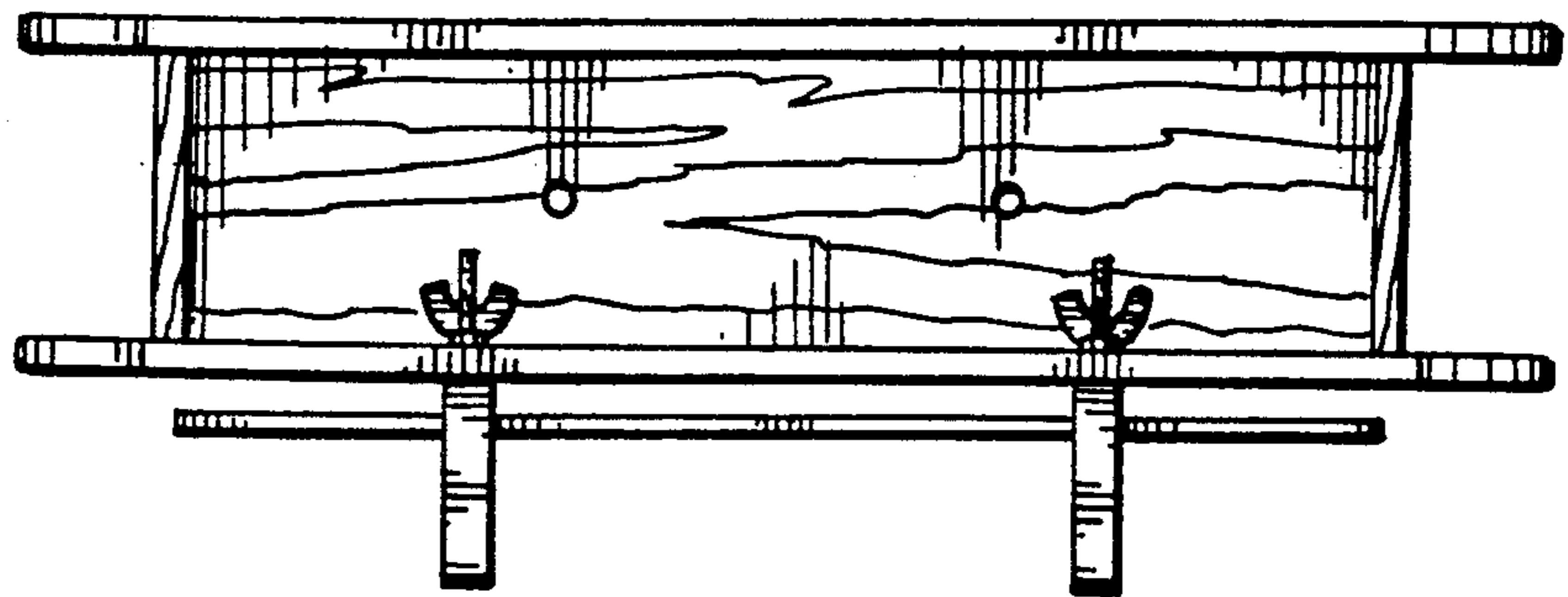


Fig. 2.

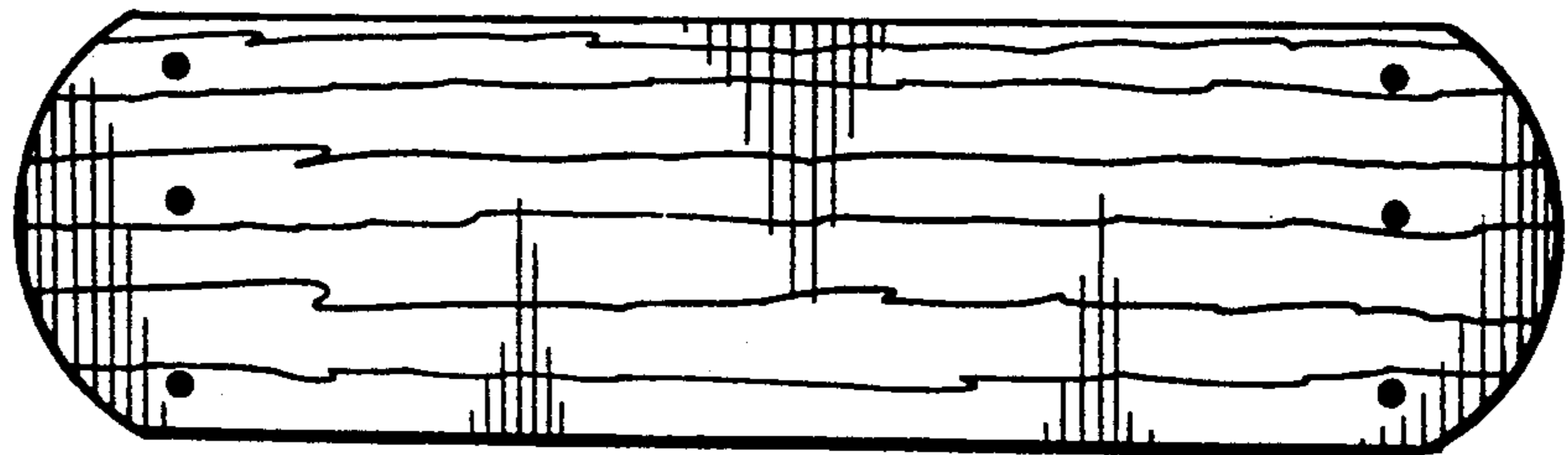
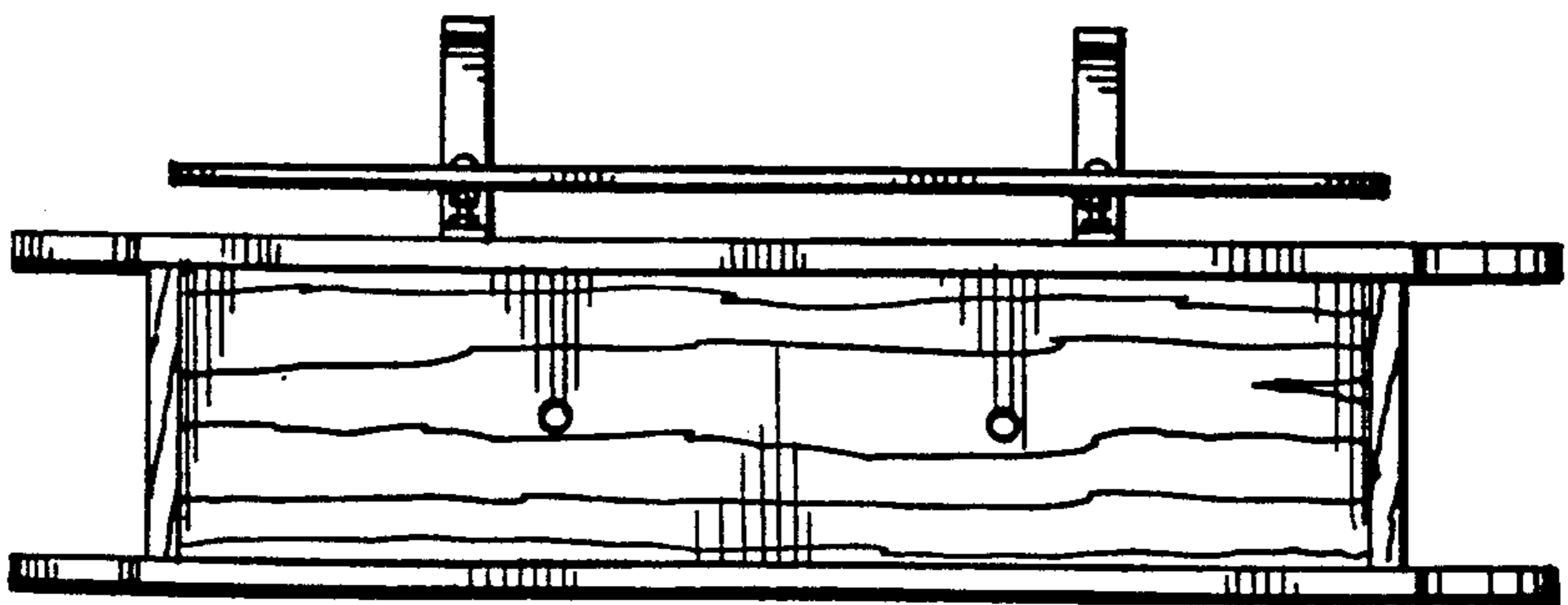


Fig. 5.



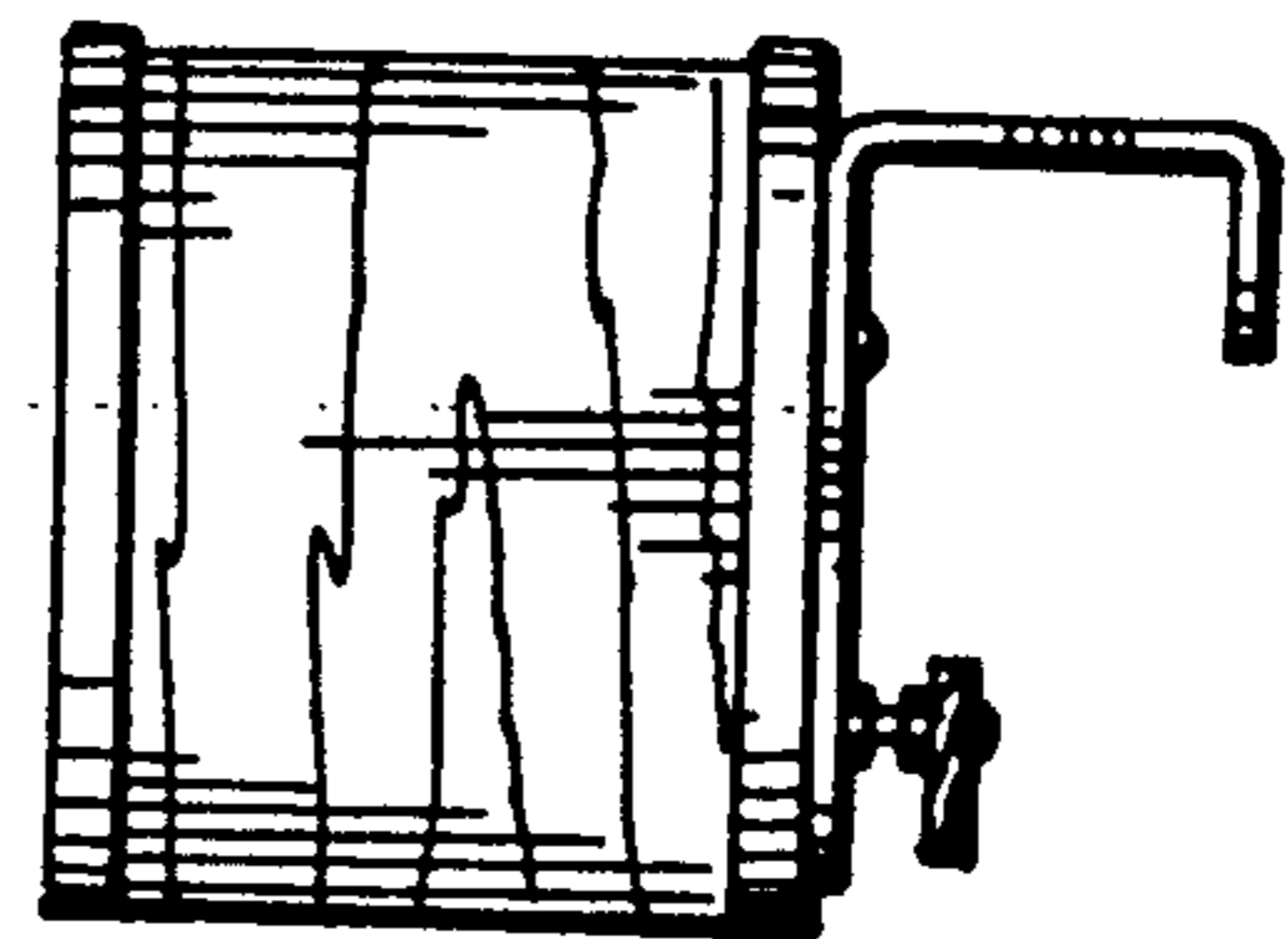
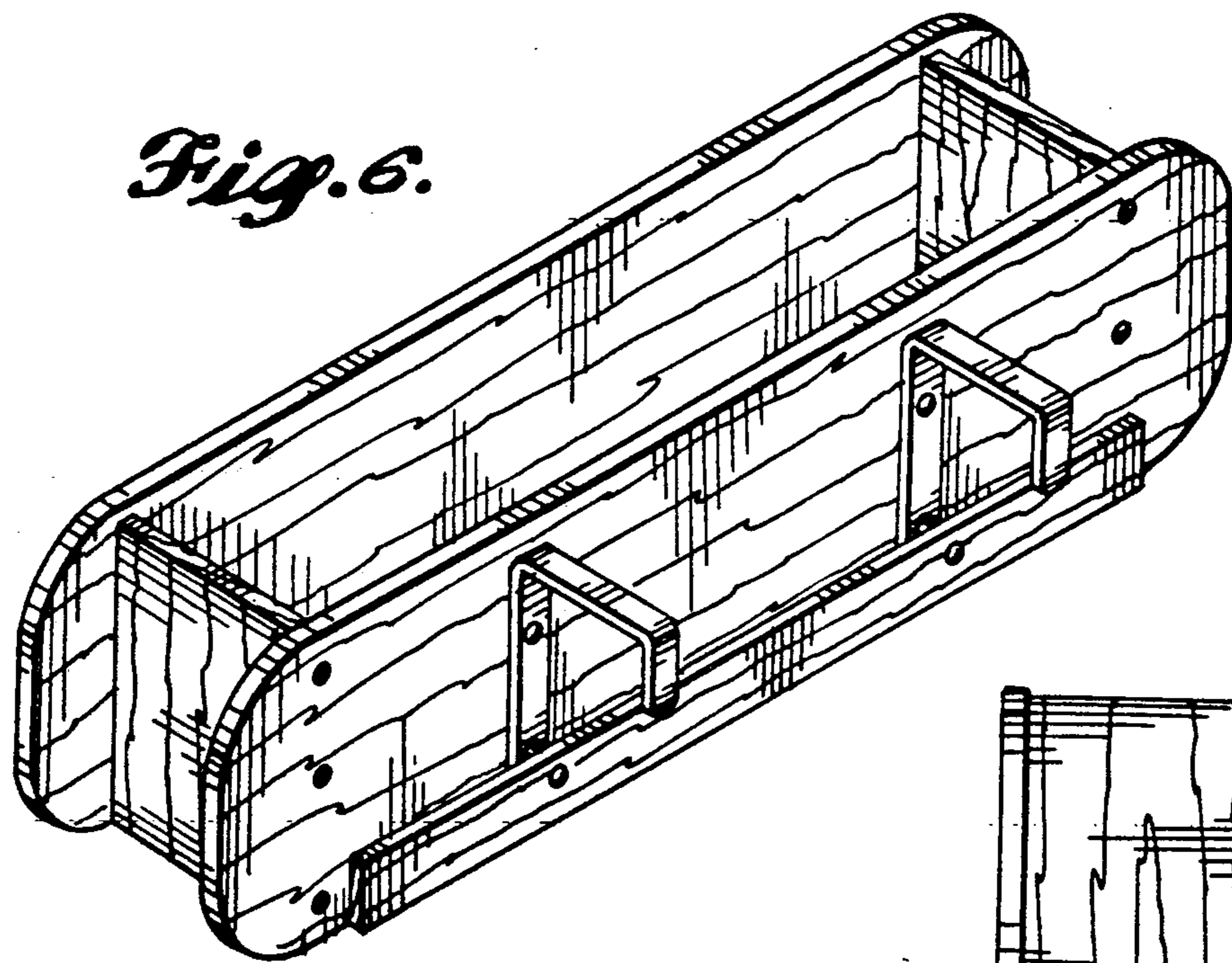


Fig. 7.

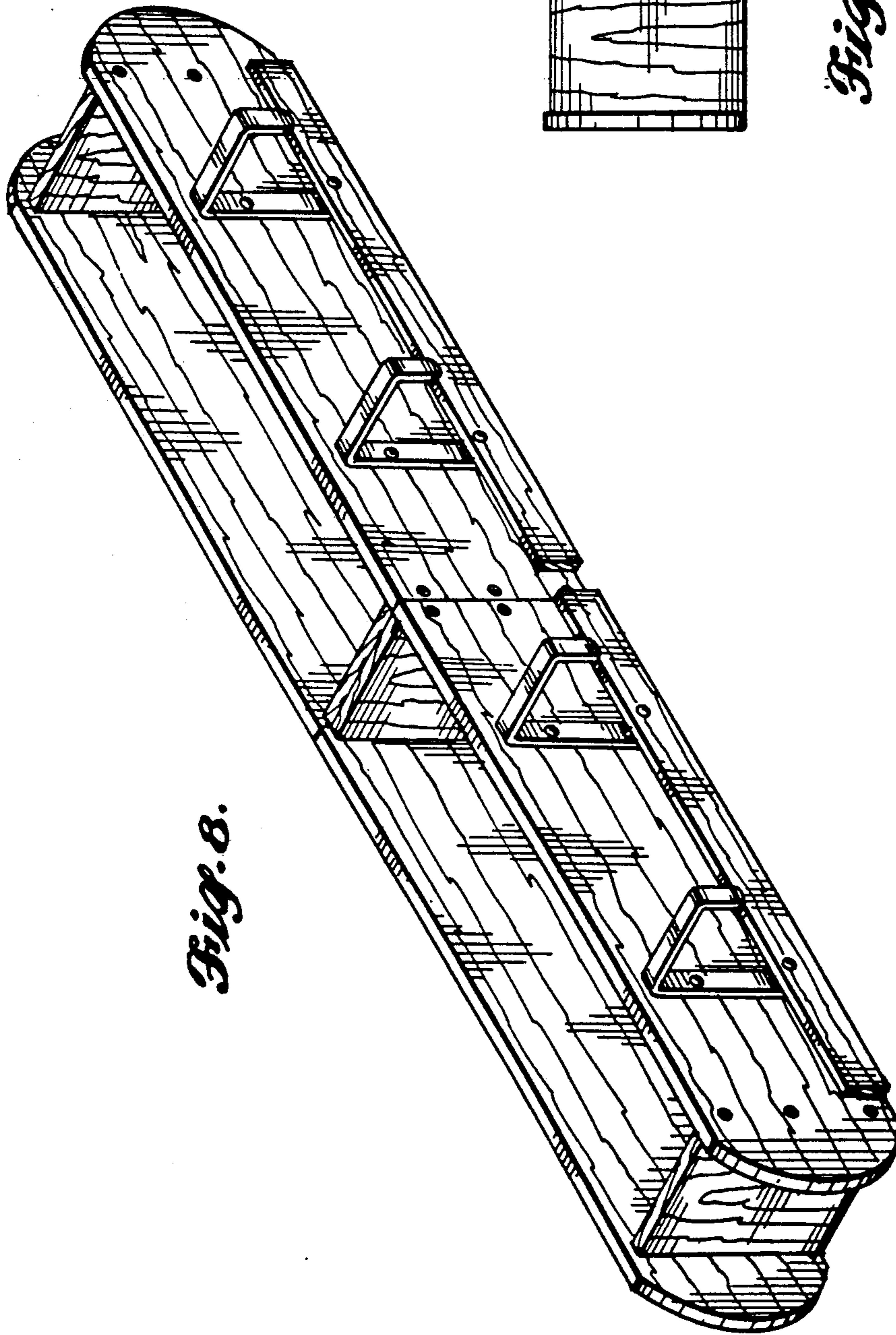


Fig. 8.

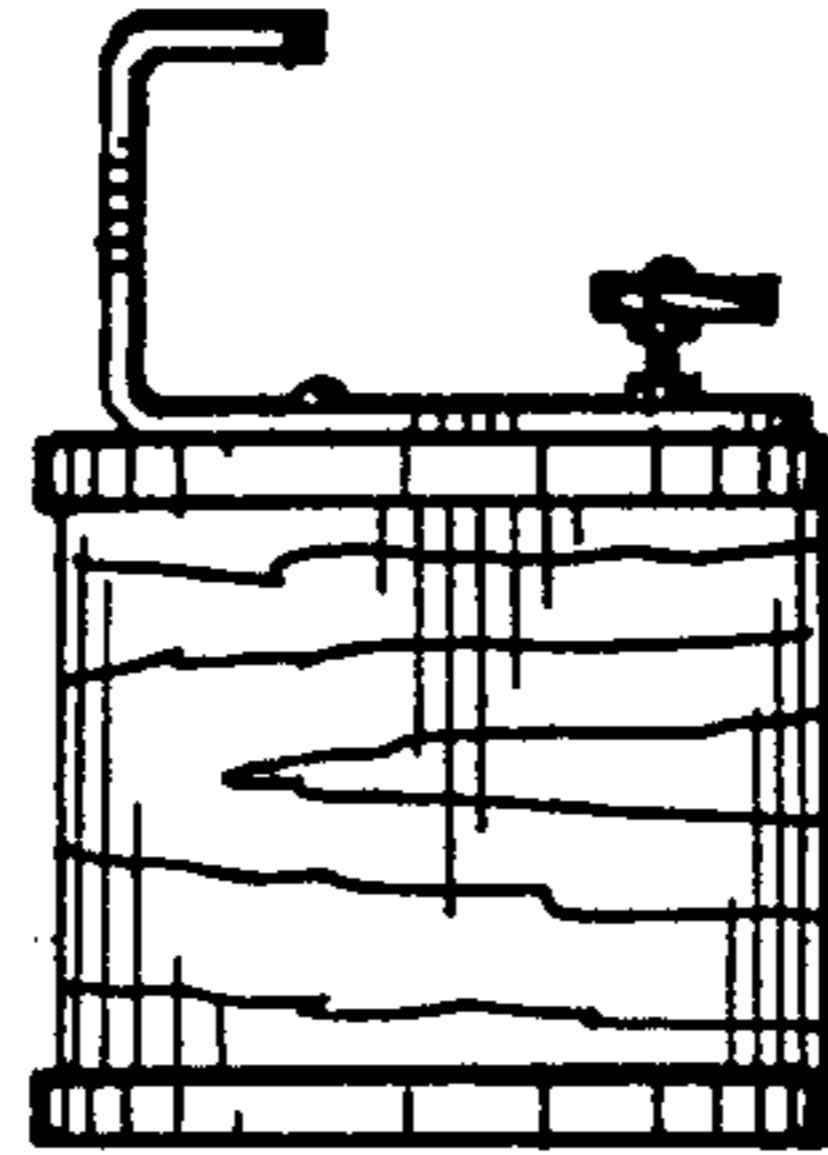


Fig. 9.