

[54] HANGER HOLDER

[76] Inventors: Sheldon H. Goodman, 4079 Princeton Blvd., South Euclid, Ohio 44121; Steven E. Greenhut, 21646 Club Villa Ter., Boca Raton, Fla. 33433

[**] Term: 14 Years

[21] Appl. No.: 279,130

[22] Filed: Dec. 2, 1988

[52] U.S. Cl. D8/363

[58] Field of Search D8/363, 367, 371, 373; 211/105.1, 105.2; 248/214, 215, 304, 211, 227, 290, 322, 254

[56] References Cited

U.S. PATENT DOCUMENTS

D. 234,455	3/1975	Blake	D8/233
279,450	7/1985	Chap	D8/373
827,627	7/1906	Graham	248/254
969,051	8/1910	Garraway et al.	248/254
1,037,186	8/1912	Reed	248/254
2,859,879	11/1958	Rogers et al.	211/90

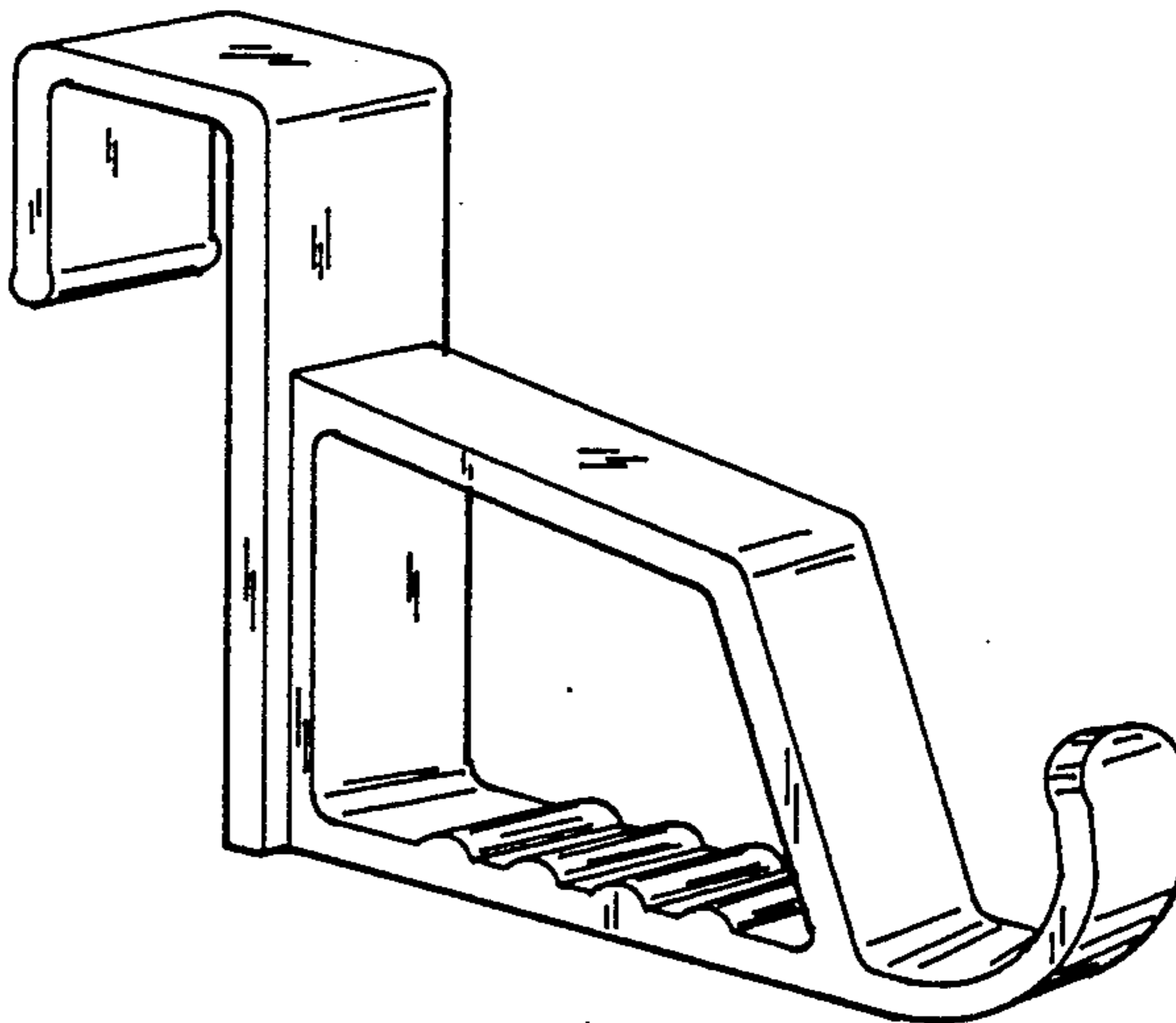
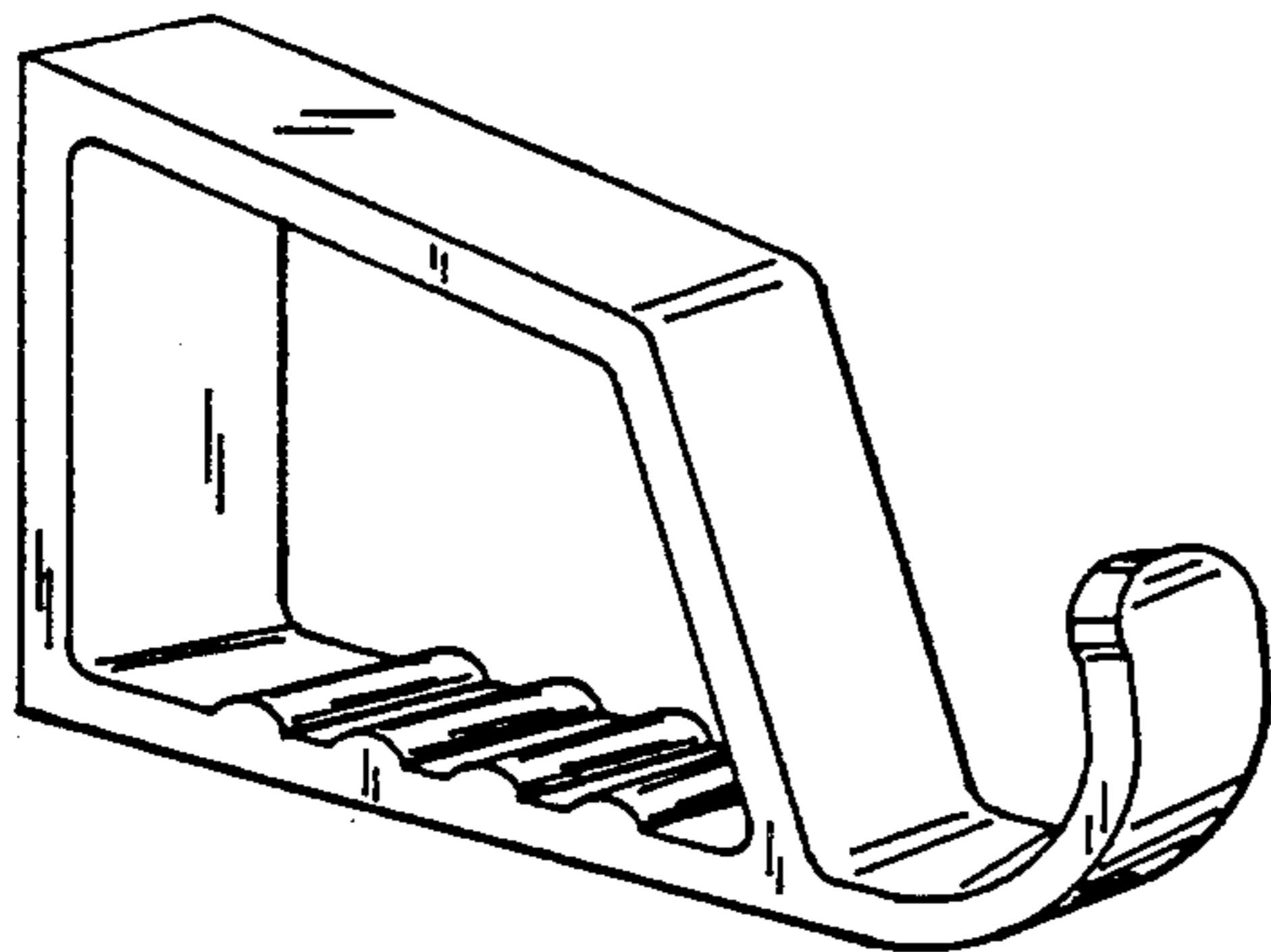
Primary Examiner—Wallace R. Burke
Assistant Examiner—Marcus Jackson
Attorney, Agent, or Firm—Pearne, Gordon, McCoy & Granger

[57] CLAIM

The ornamental design for a hanger holder, as shown and described.

DESCRIPTION

FIG. 1 is a perspective view of a hanger holder showing my new design;
FIG. 2 is a front elevational view thereof;
FIG. 3 is a right side elevational view with the left side being a mirror image thereof;
FIG. 4 is a rear elevational view thereof;
FIG. 5 is a bottom plan view thereof;
FIG. 6 is a perspective view of a second embodiment;
FIG. 7 is a front elevational view thereof;
FIG. 8 is a right side elevational view, with the left side being a mirror image thereof;
FIG. 9 is a rear elevational view thereof;
FIG. 10 is a bottom plan view thereof.



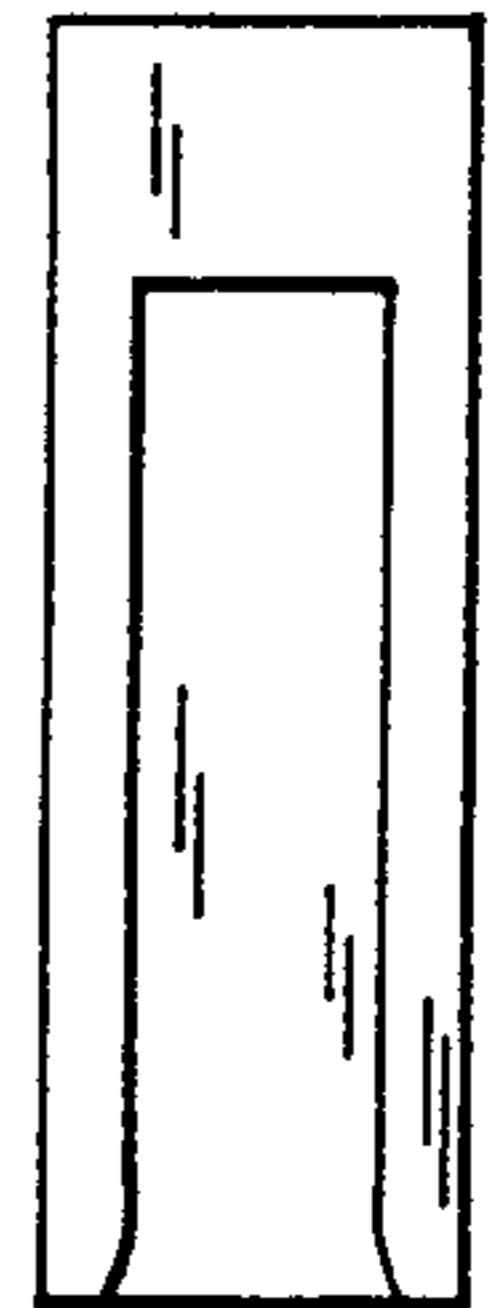
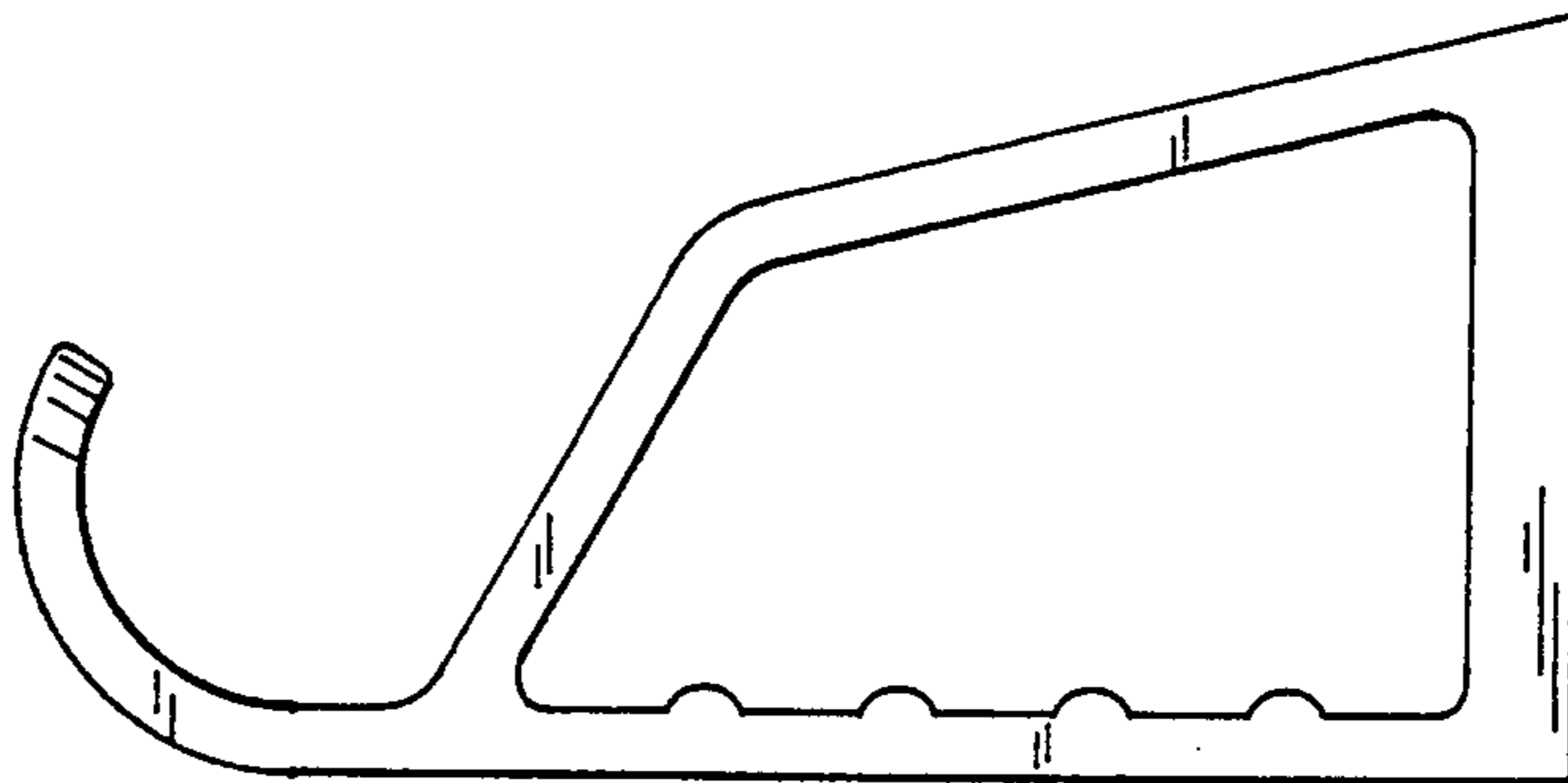
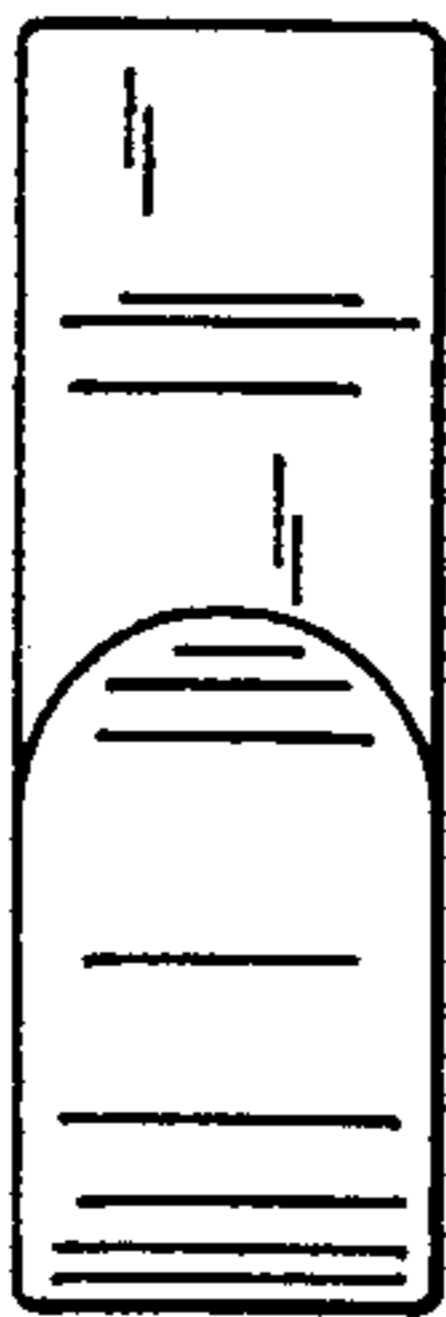
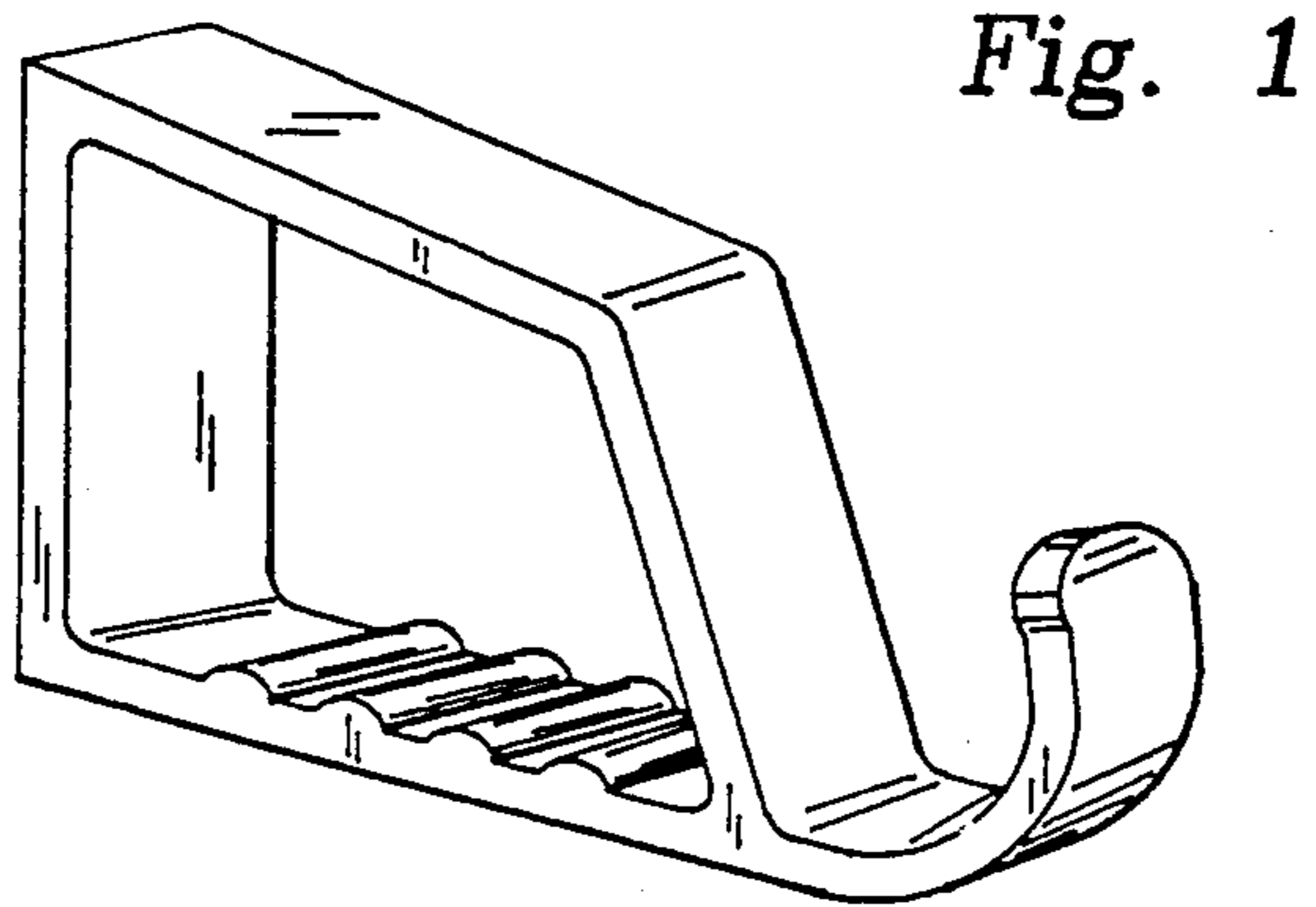


Fig. 2

Fig. 3

Fig. 4



Fig. 5

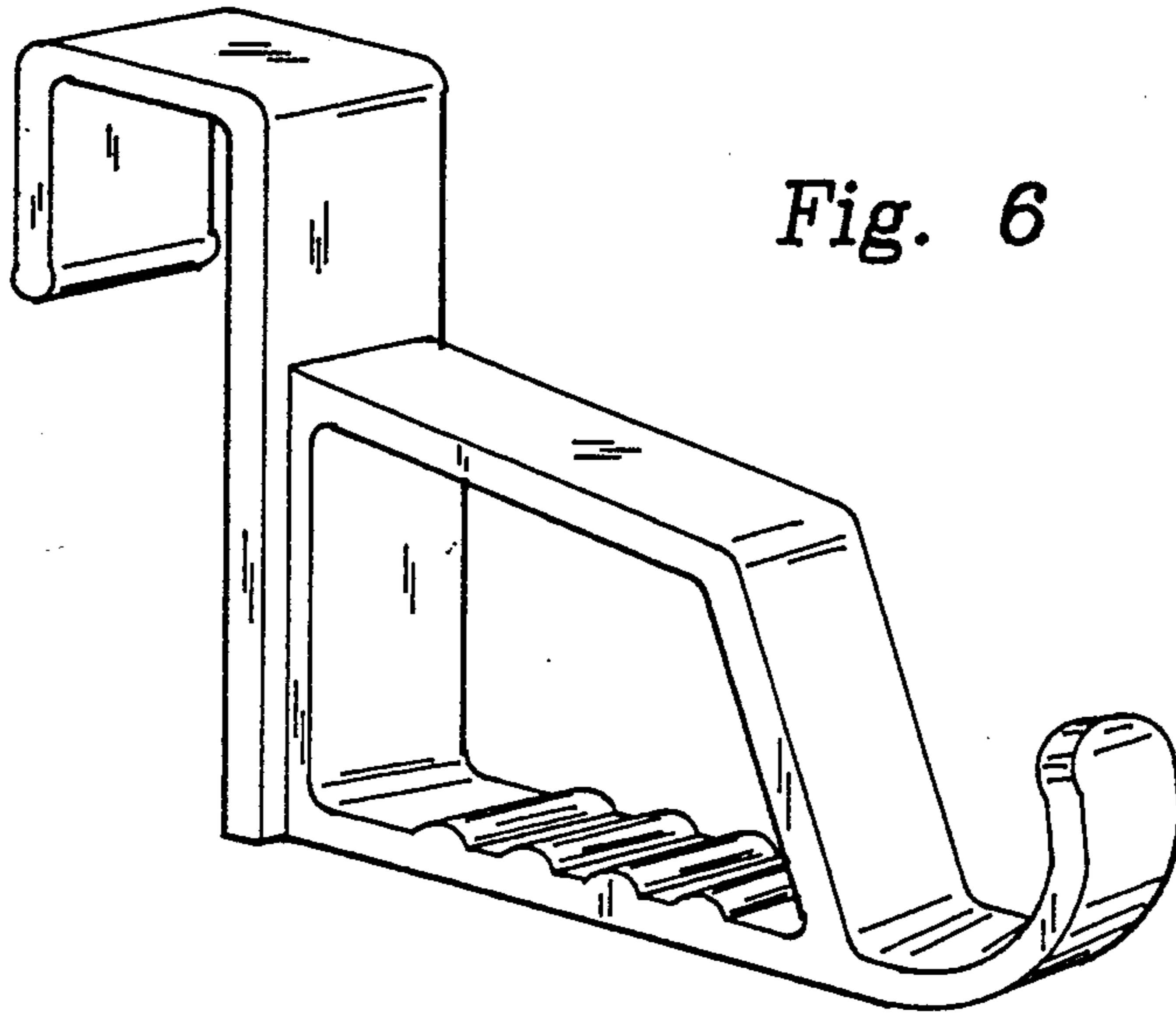


Fig. 6

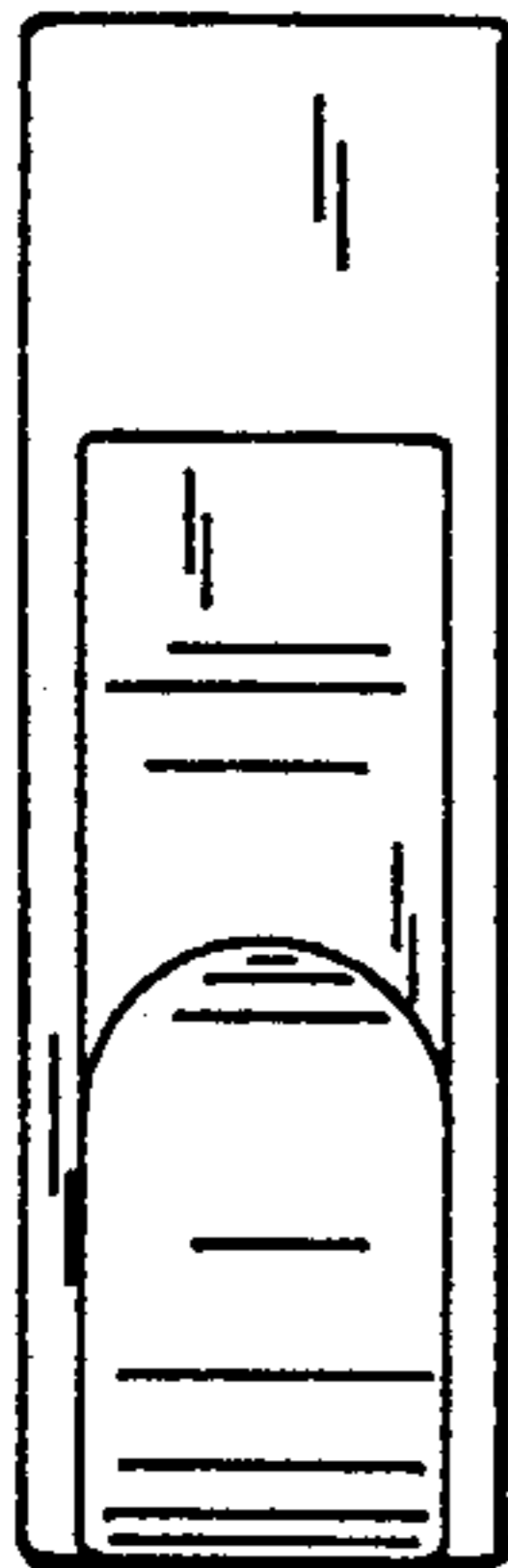


Fig. 7

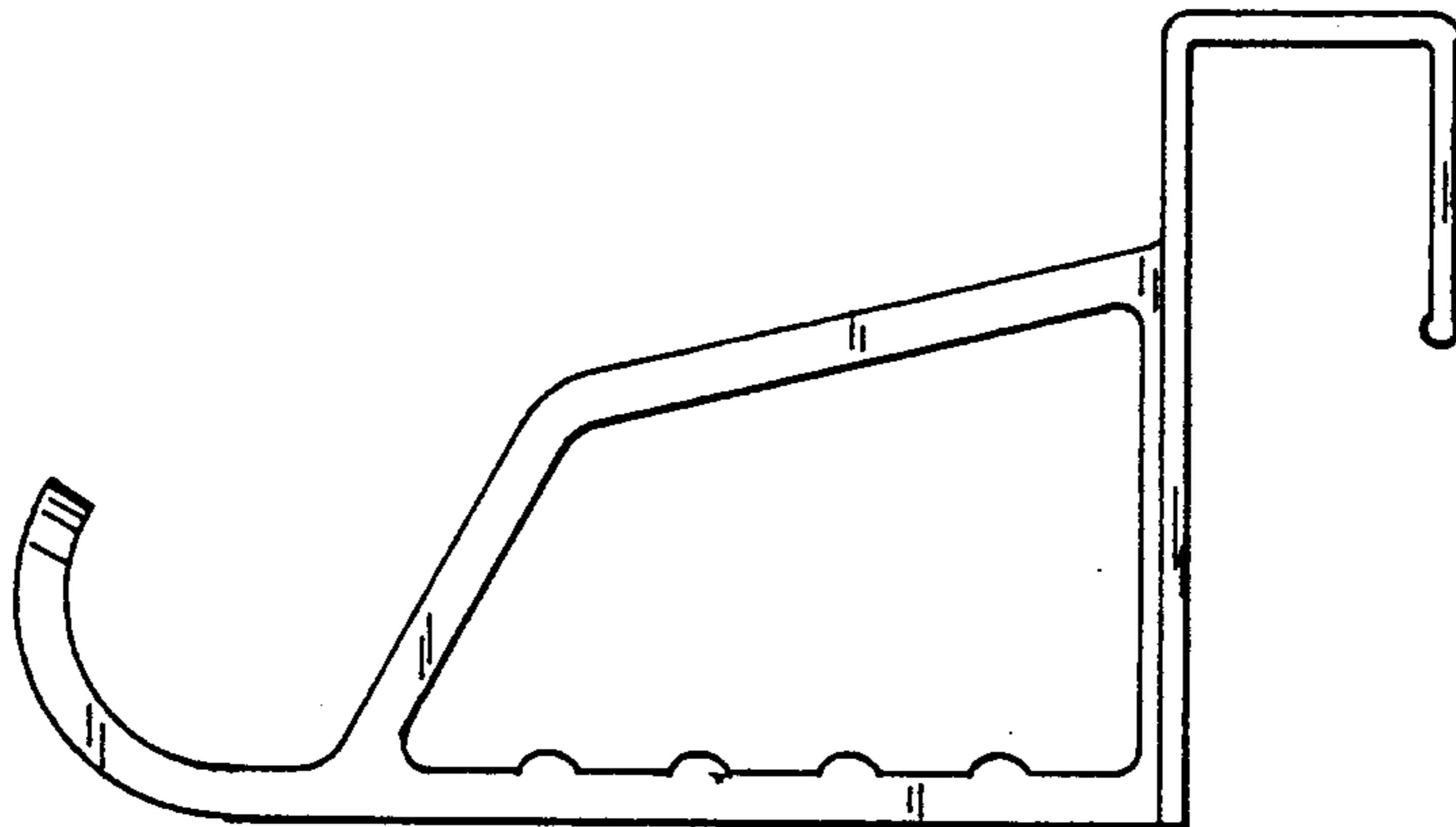


Fig. 8

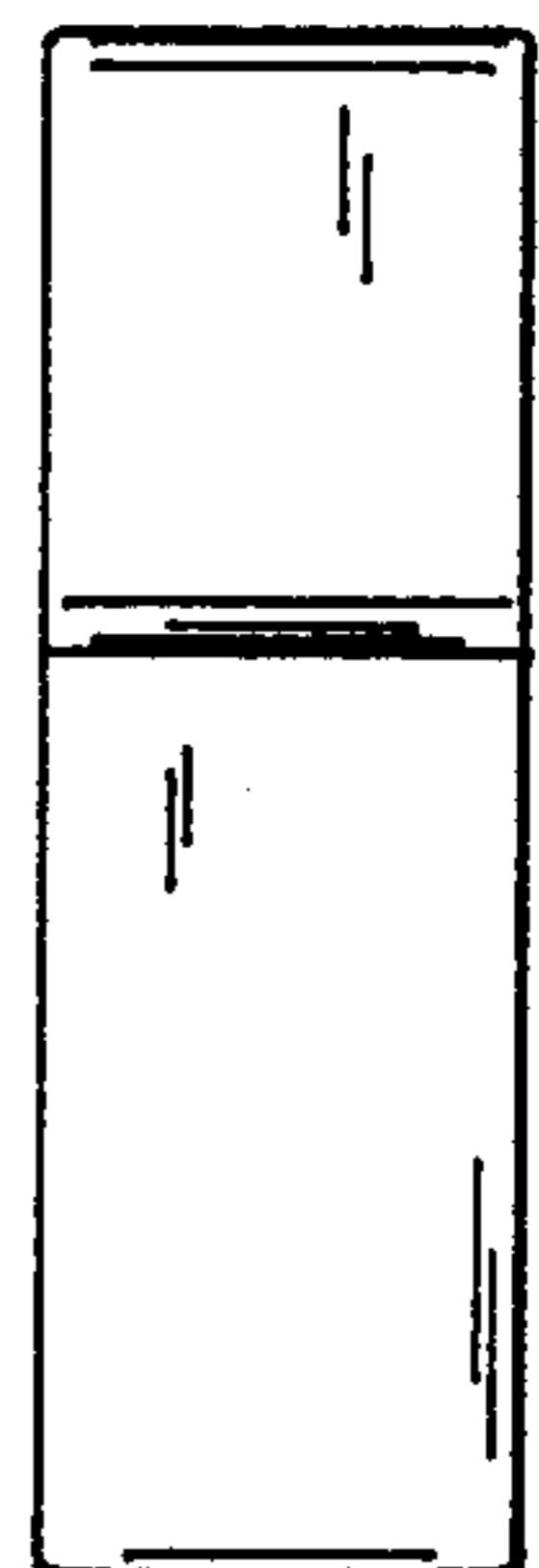


Fig. 9

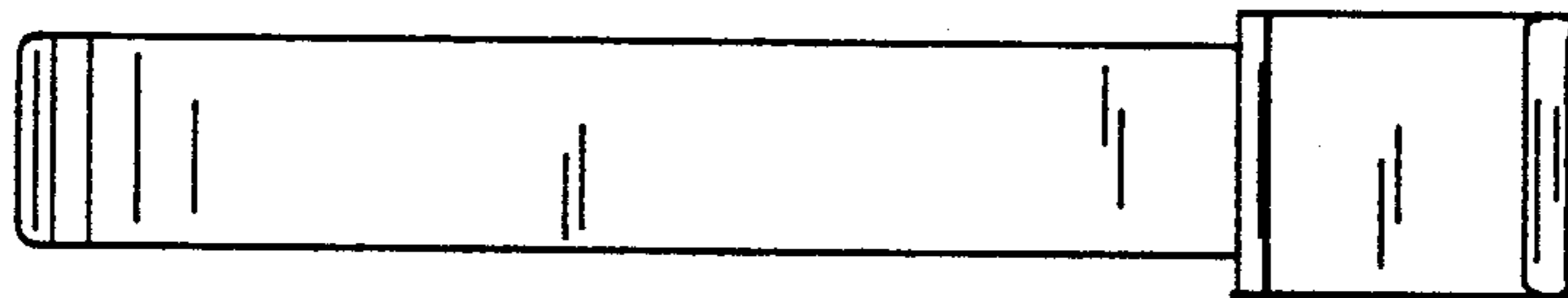


Fig. 10