

[54] **CHAIN SAW BAR STRAIGHTENER**

4,503,735 3/1985 Jackson 76/78.1
 4,593,892 6/1986 Terstegge 269/244

[76] **Inventor: Samuel A. Librande, 150 Vicki Ave., Hayden Lake, Id. 83835**

[**] **Term: 14 Years**

[21] **Appl. No.: 144,865**

[22] **Filed: Jan. 15, 1988**

[52] **U.S. Cl. D8/71; D8/74**

[58] **Field of Search D8/71, 74; 72/316, 390, 72/454, 456; 76/25.1, 31, 78.1, 79.5; 269/244**

[56] **References Cited**

U.S. PATENT DOCUMENTS

| | | | |
|------------|---------|--------------------|----------|
| D. 154,001 | 5/1949 | Vogl | D8/74 |
| D. 164,143 | 7/1951 | Vogl | D8/74 |
| D. 164,687 | 10/1951 | Ingwer et al. | D8/74 |
| D. 175,105 | 7/1955 | Ewing et al. | D8/74 |
| 382,467 | 5/1888 | Andrews | 76/31 |
| 997,243 | 7/1911 | Daley | 76/78.1 |
| 1,288,817 | 12/1918 | Bolliger | 76/78.1 |
| 1,488,559 | 4/1924 | Simokaitis | 72/454 X |
| 1,946,426 | 2/1934 | Kennedy | 72/454 X |
| 4,043,547 | 8/1977 | Glomb et al. | 269/244 |

OTHER PUBLICATIONS

Flexbar, 9/1985, p. 54, vise top right, on file in tool ref. boxes.

Flexbar, 9/1985, p. 55, 3 vises, 2 at top and 1 center right, on file in tool ref. boxes.

Primary Examiner—Nelson C. Holtje

Assistant Examiner—Gary D. Watson

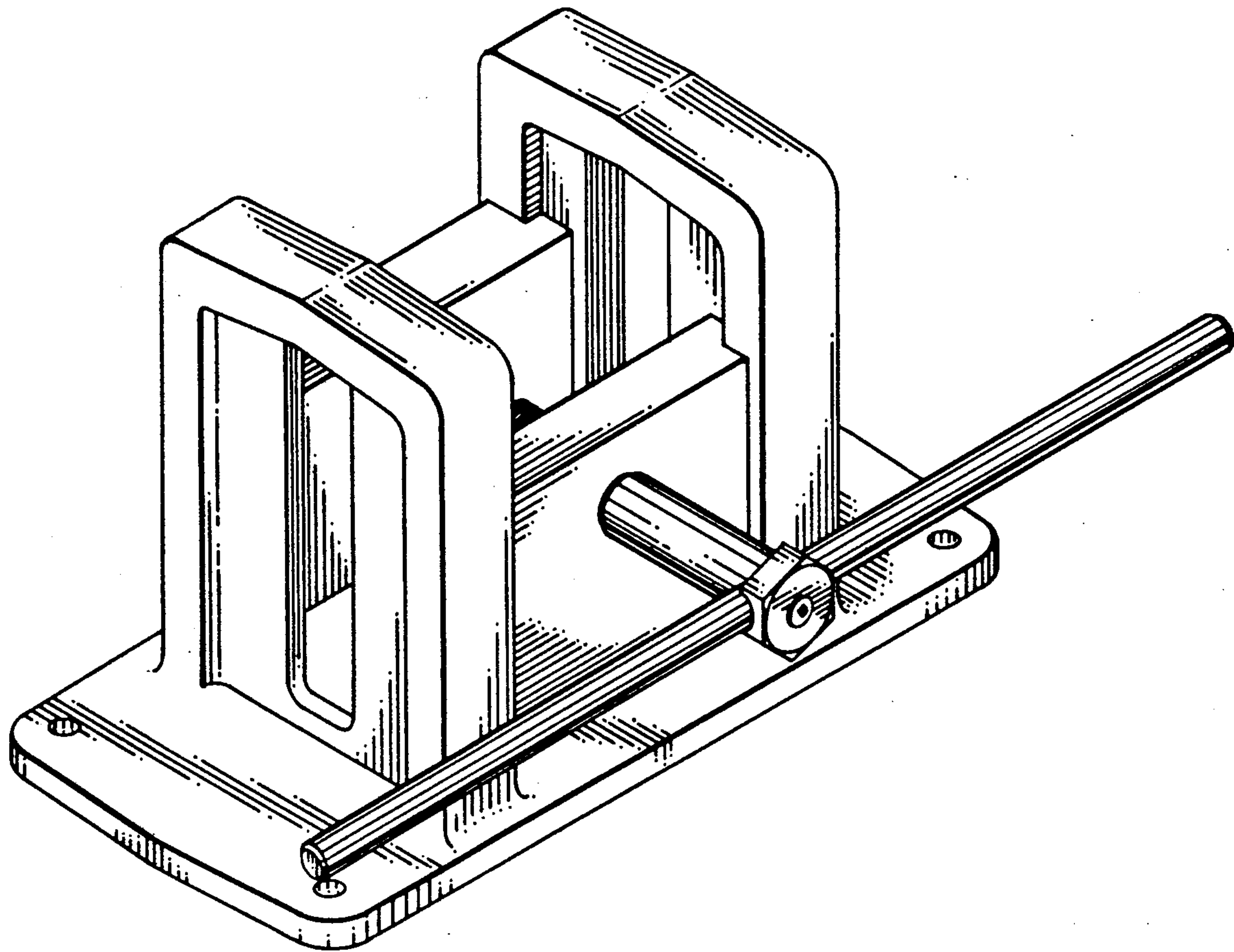
Attorney, Agent, or Firm—Wells, St. John & Roberts

[57] **CLAIM**

The ornamental design for a chain saw bar straightener, as shown and described.

DESCRIPTION

FIG. 1 is a top left front perspective view of a chain saw bar straightener showing my new design; FIG. 2 is a front elevational view; FIG. 3 is a rear elevational view; FIG. 4 is a top plan view; FIG. 5 is a right side elevational view, the left being a mirror image thereof; and FIG. 6 is a bottom plan view thereof.



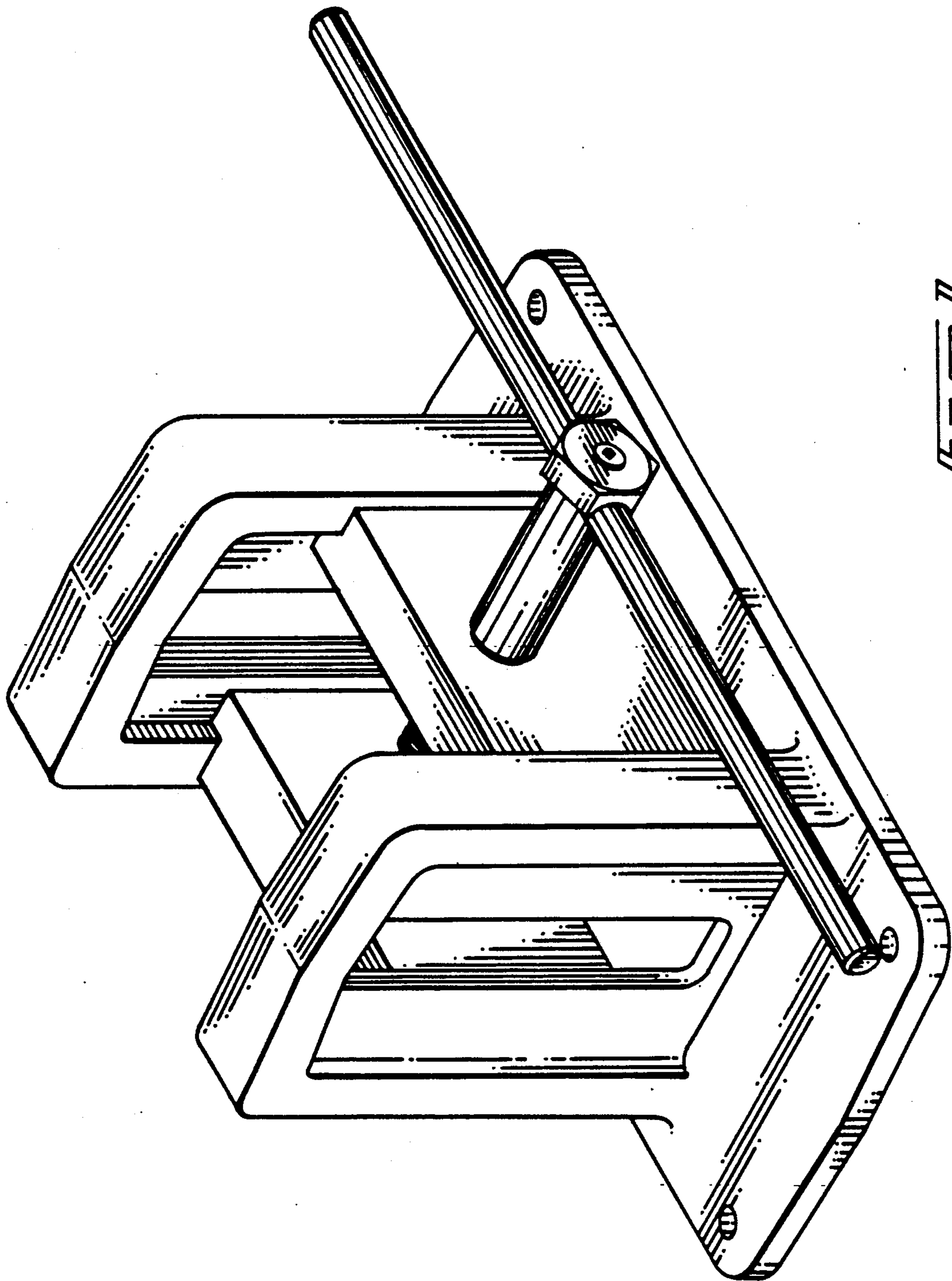


FIG. 1

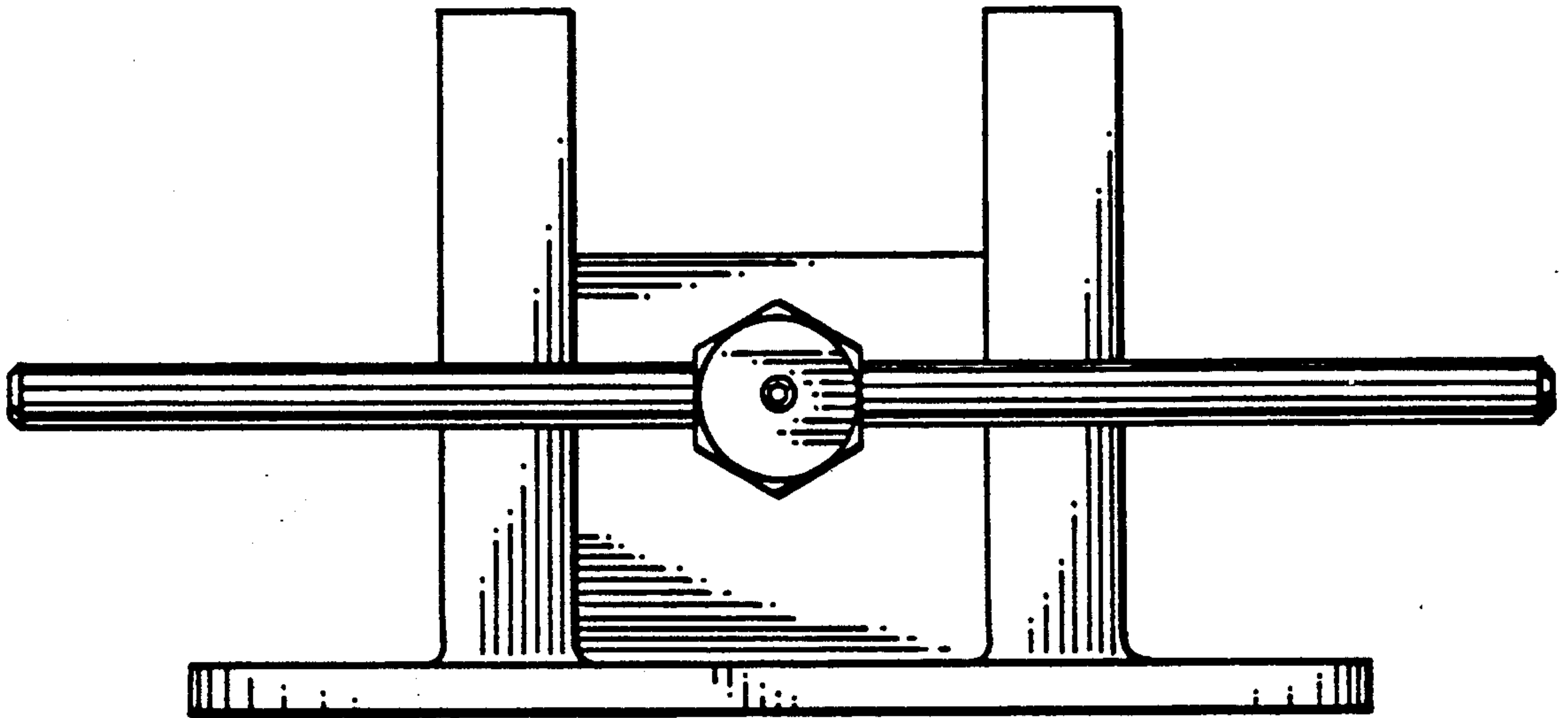


Fig. 2

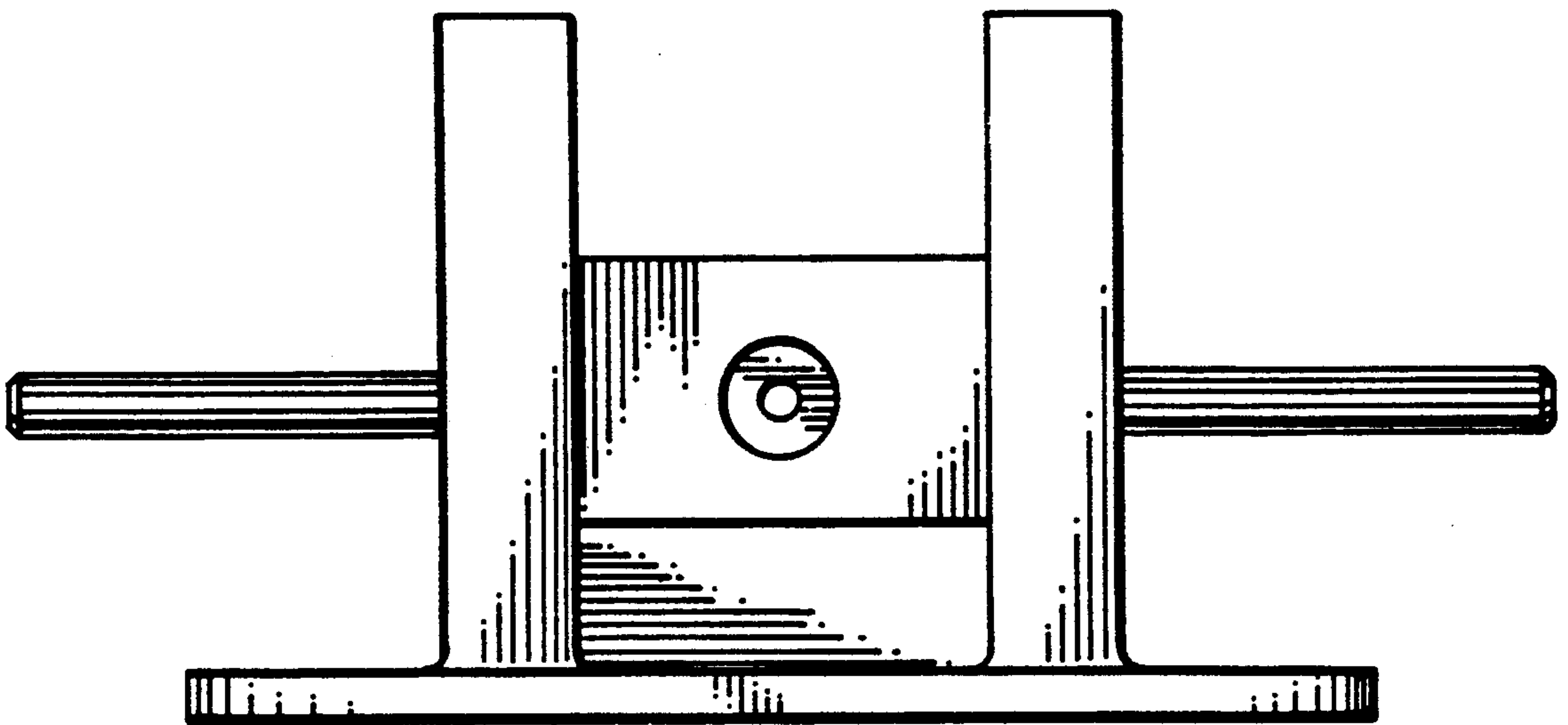


Fig. 3

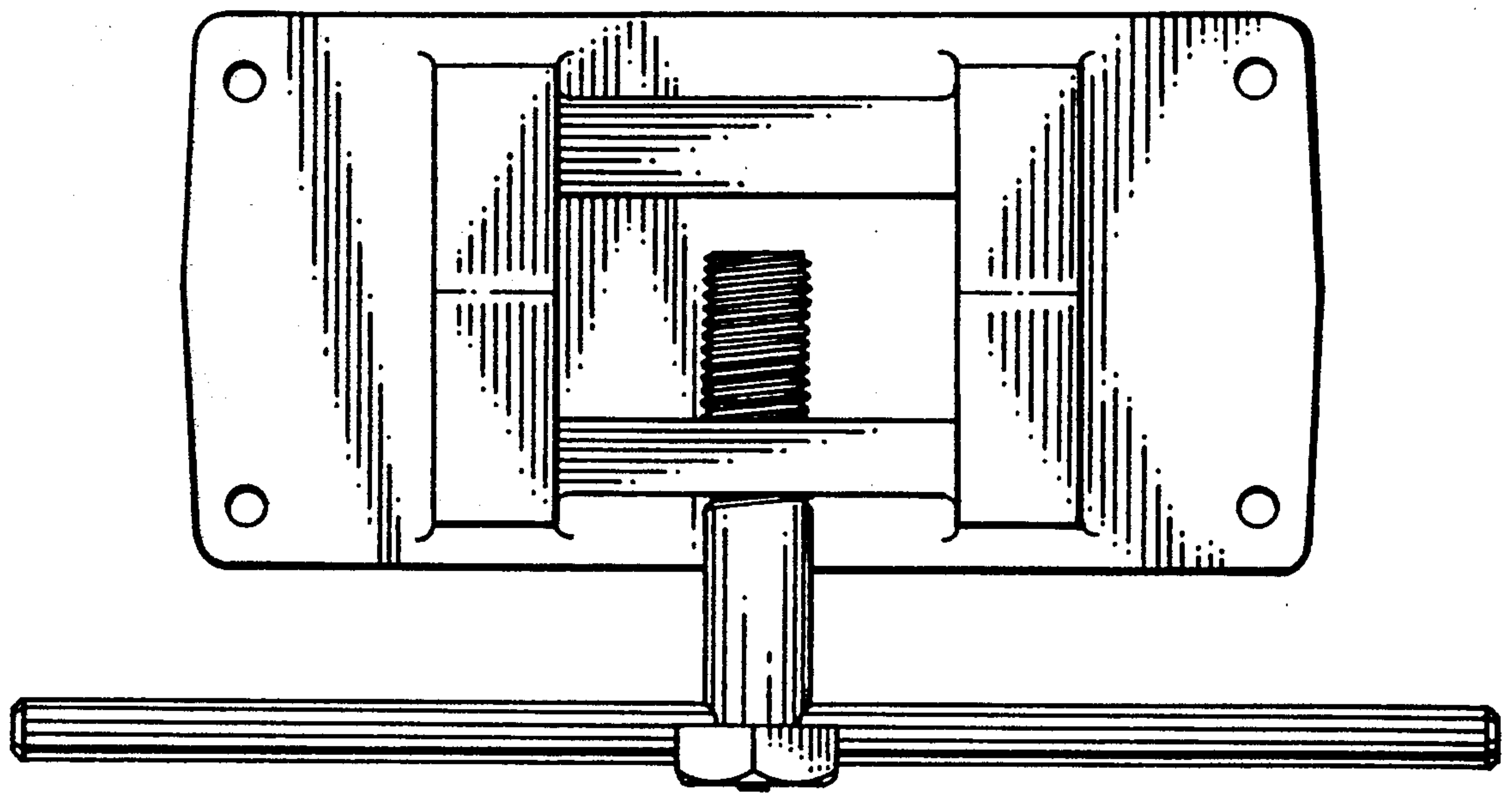


Fig. 4

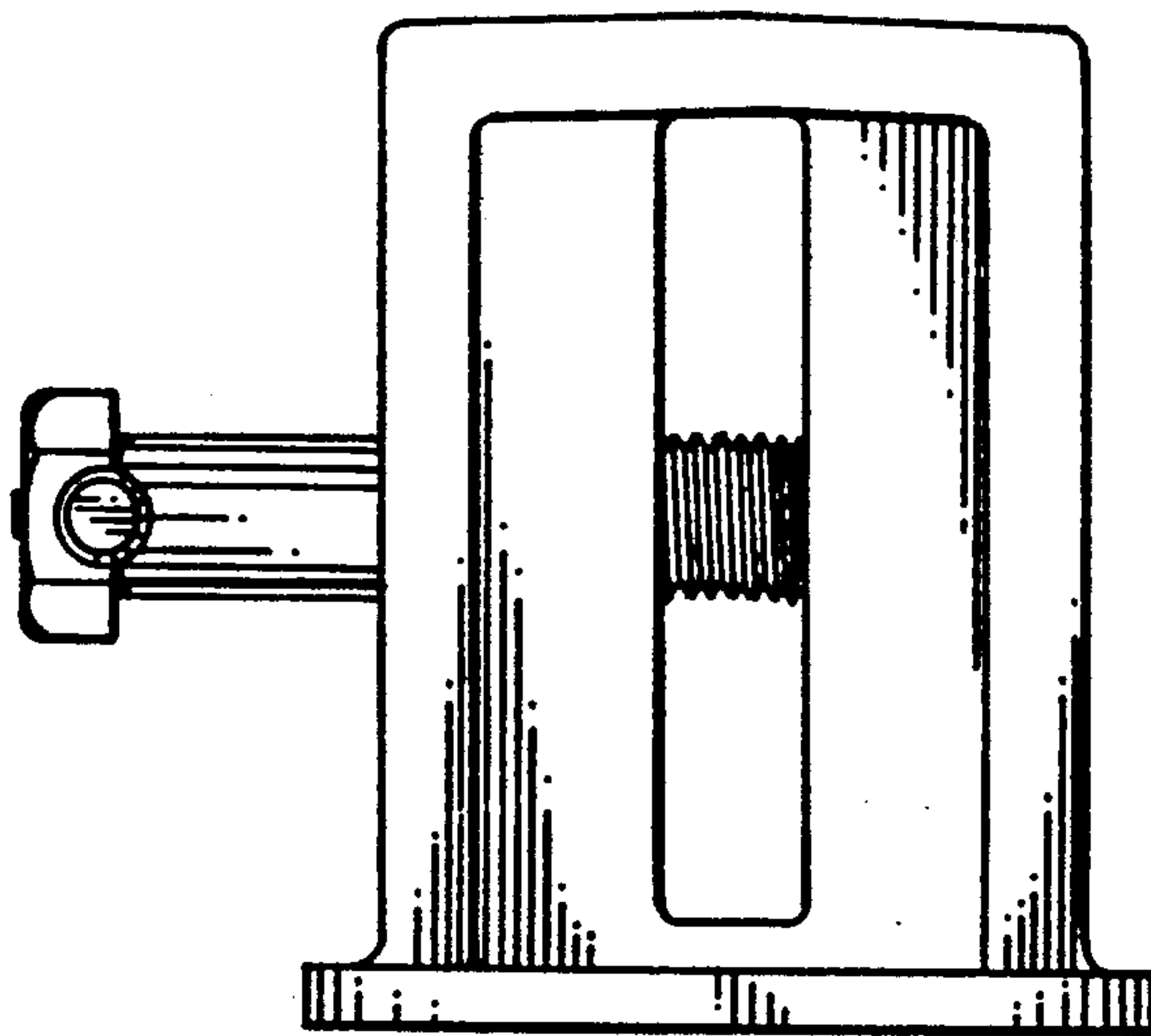


Fig. 5

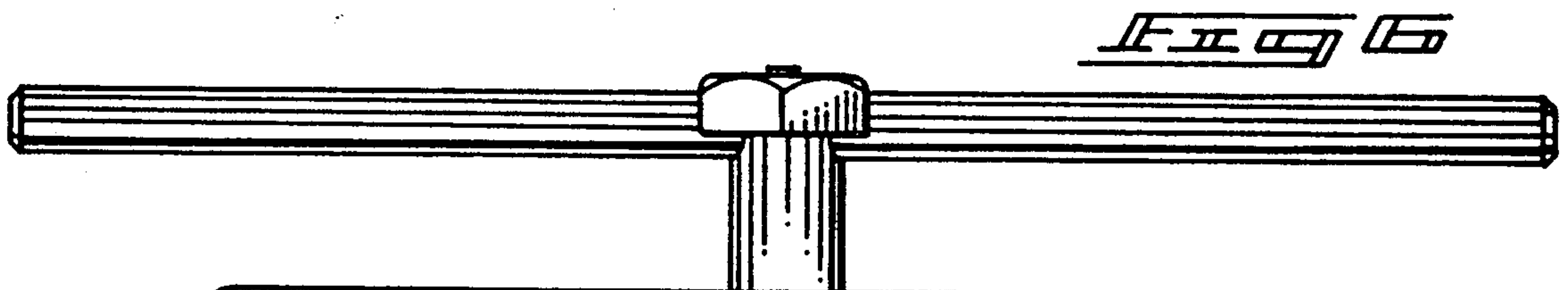


Fig. 6

