

[54] PNEUMATIC STAPLER

[76] Inventor: Roland Moraht, Krempenhege 15,
2000 Hamburg 65, Fed. Rep. of
Germany

[**] Term: 14 Years

[21] Appl. No.: 121,740

[22] Filed: Nov. 17, 1987

[52] U.S. Cl. D8/69; D8/68

[58] Field of Search D8/49, 50, 61, 67, 68,
D8/69; 227/8, 10, 120, 130, 131

[56] References Cited

U.S. PATENT DOCUMENTS

3,905,535 9/1975 Novak et al. D8/61 X
4,669,648 6/1987 Monacelli D8/61 X

FOREIGN PATENT DOCUMENTS

1936356 1/1970 Fed. Rep. of Germany 227/130

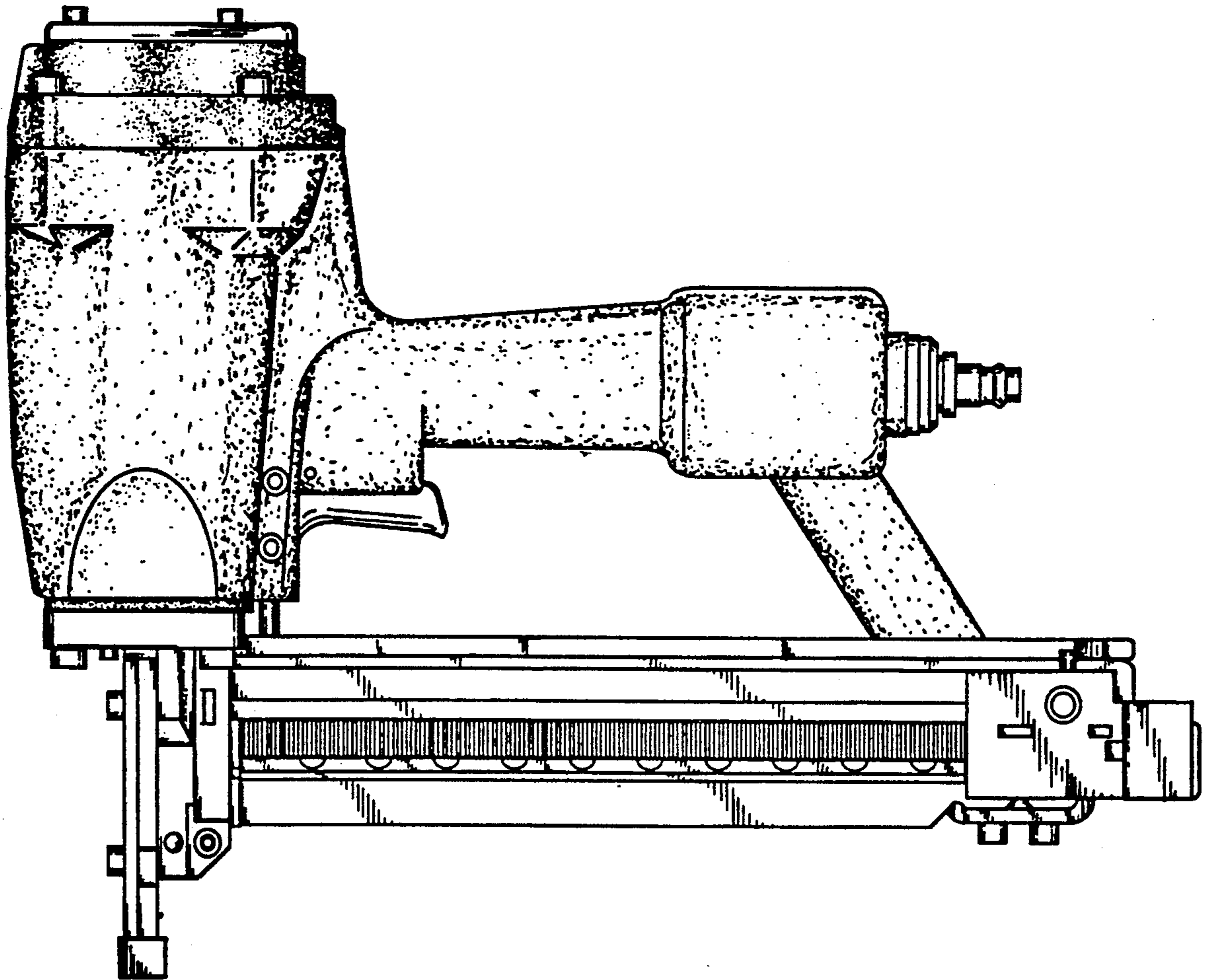
Primary Examiner—Nelson C. Holtje
Assistant Examiner—Gary D. Watson
Attorney, Agent, or Firm—Harness, Dickey & Pierce

[57] CLAIM

The ornamental design for a pneumatic stapler, as shown and described.

DESCRIPTION

FIG. 1 is a right side elevational view of a pneumatic stapler showing my new design; FIG. 2 is a top right front perspective view; FIG. 3 is a top left front perspective view; FIG. 4 is a bottom left rear perspective view; FIG. 5 is a top plan view; and FIG. 6 is a bottom plan view thereof. The staple advancing mechanism is shown in FIG. 1 in a fully loaded position while FIGS. 2, 3, and 4 show it in an unloaded position.



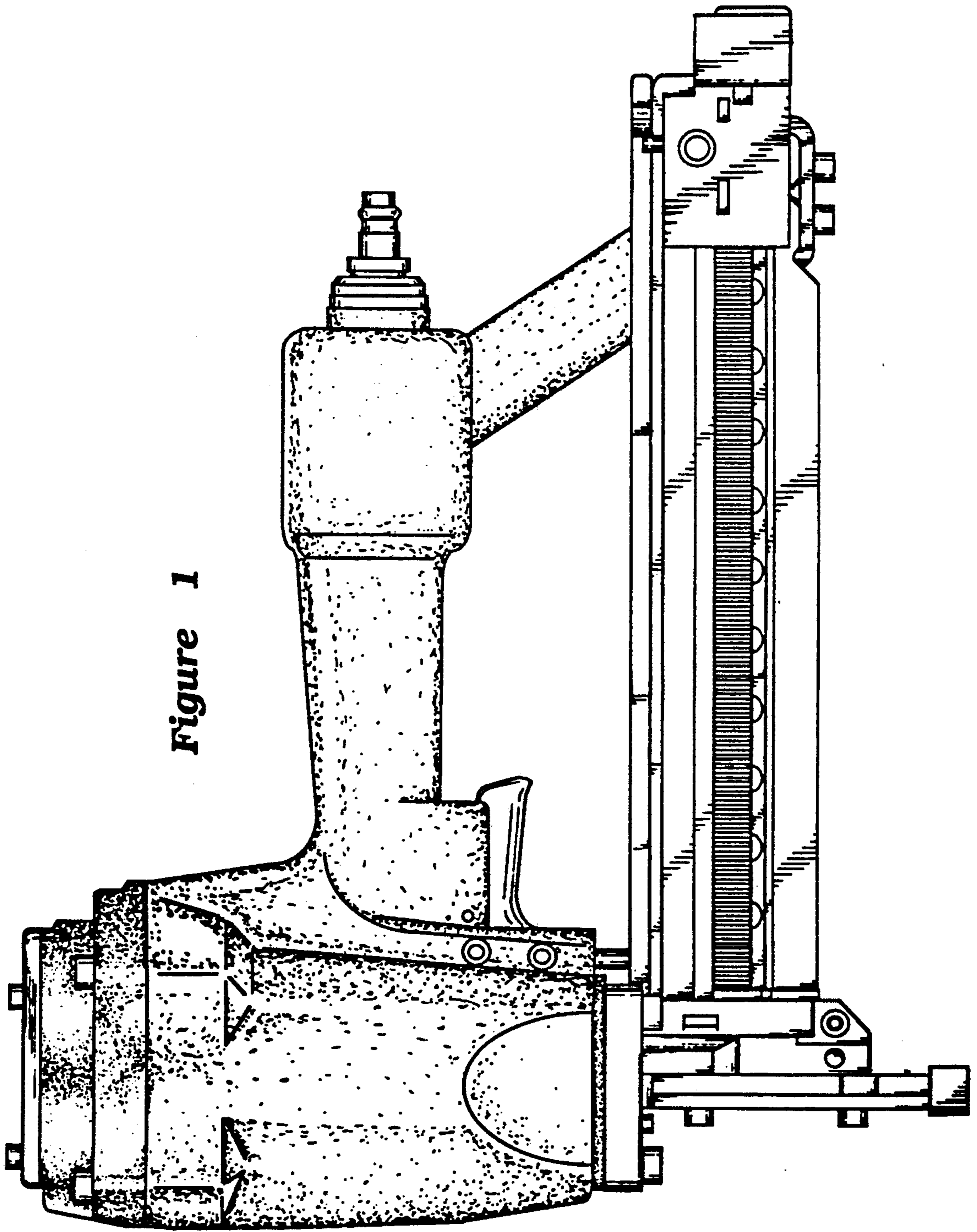


Figure 1

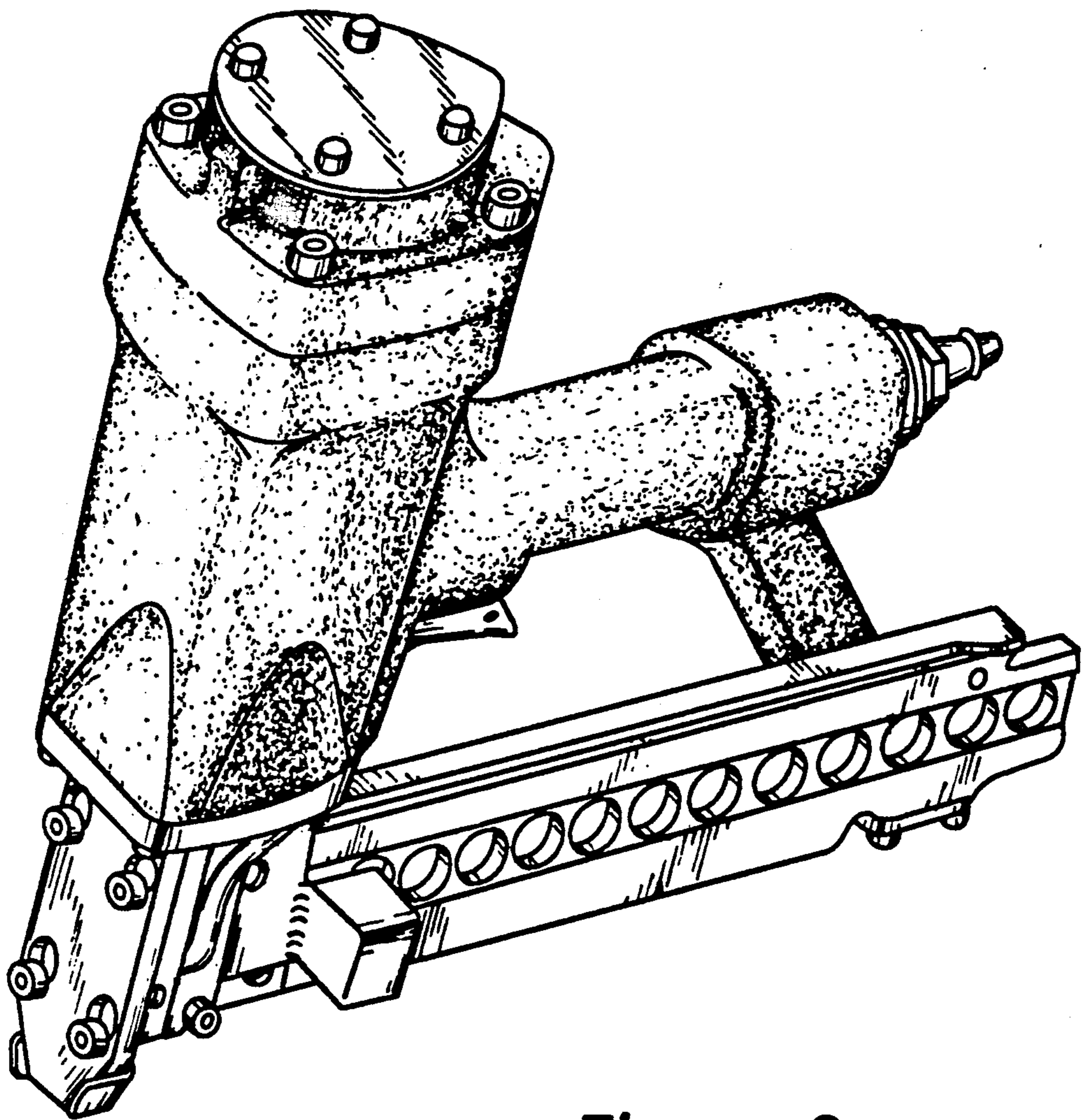


Figure 2

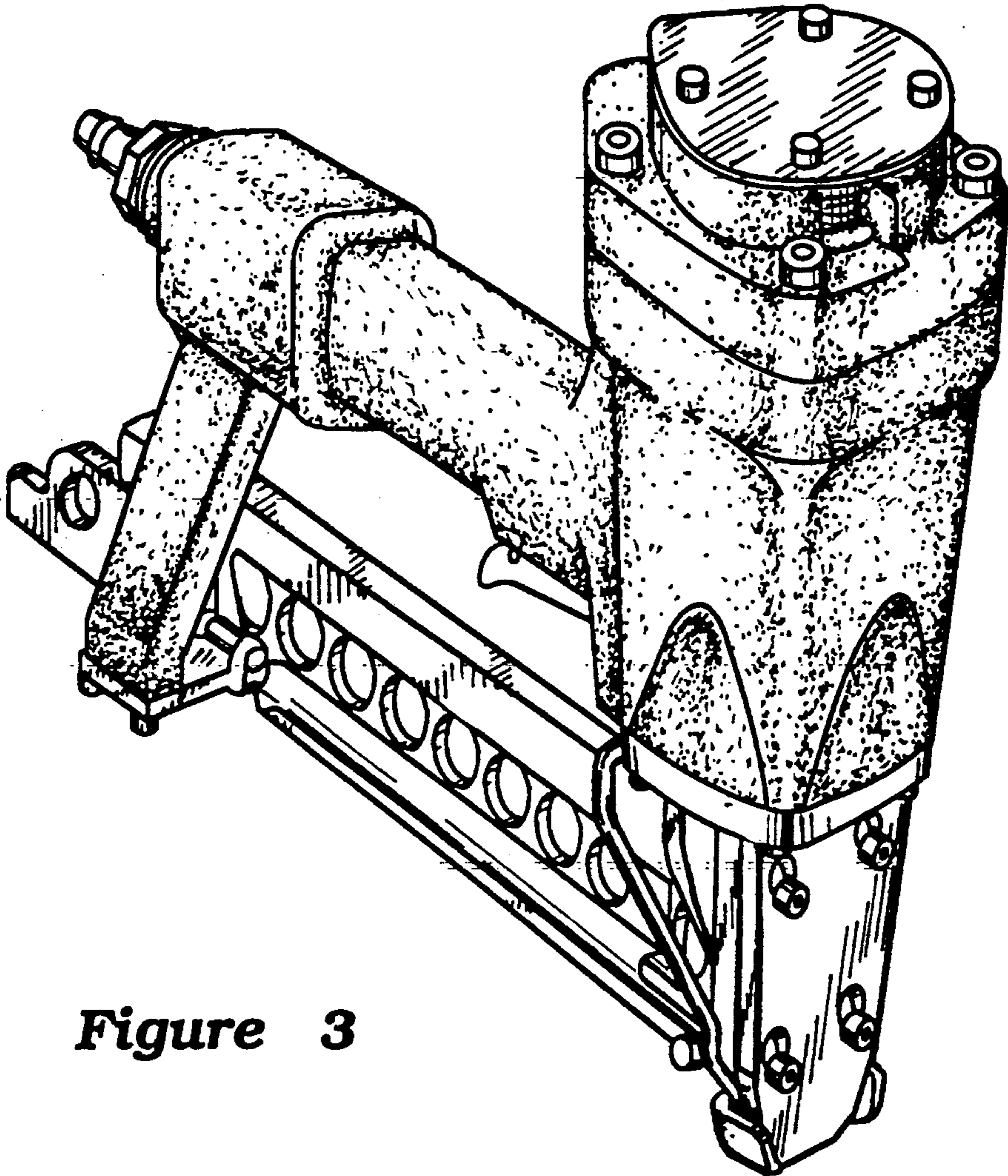


Figure 3

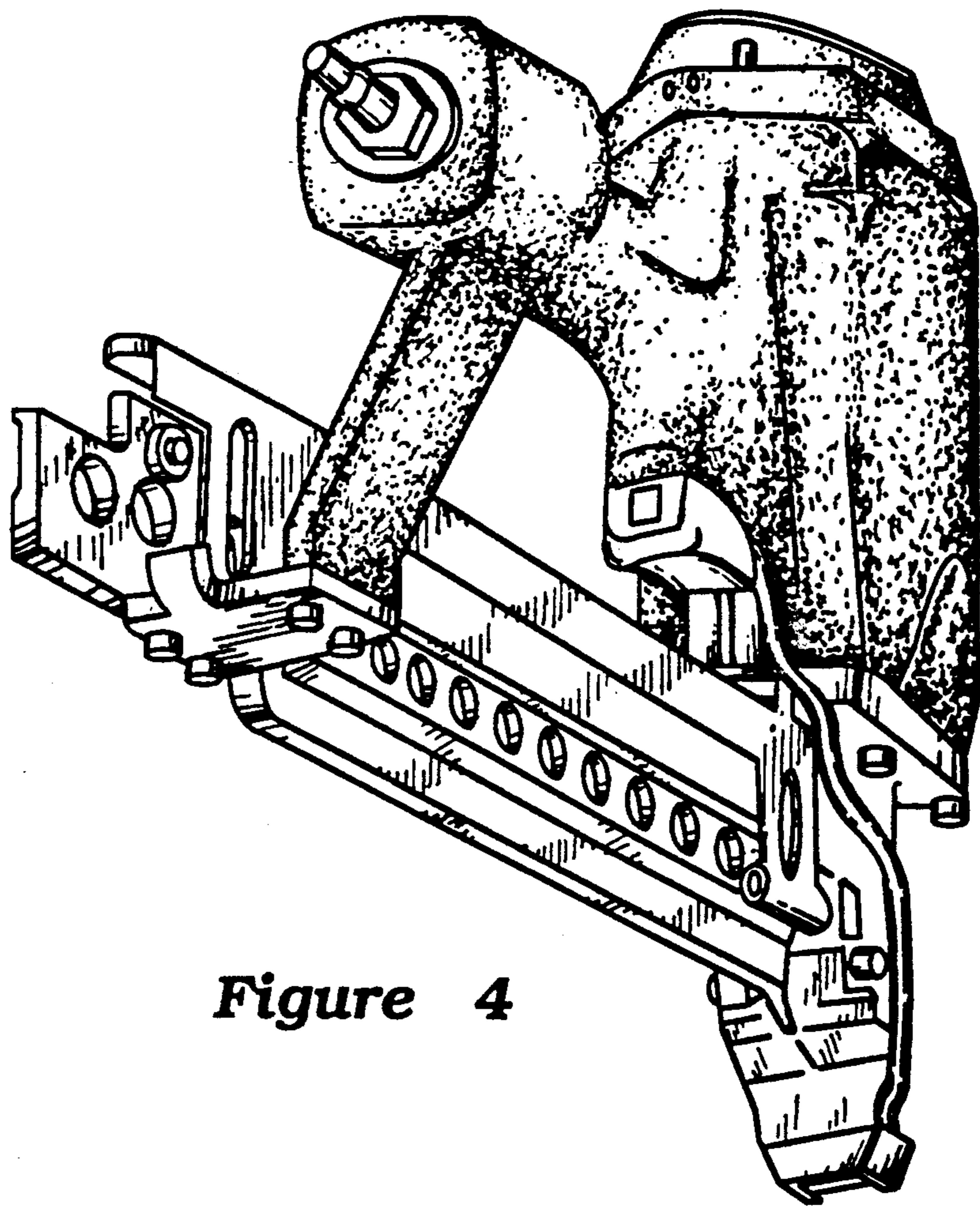


Figure 4

Figure 5

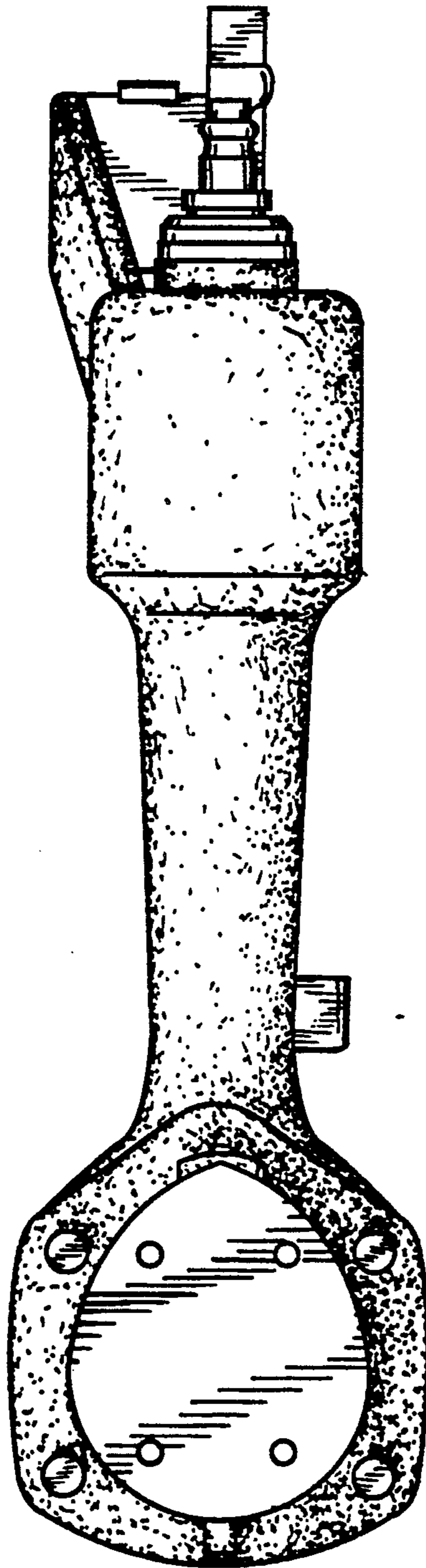


Figure 6

