

[54] DRILL

D. 279,862 7/1885 Sato et al. .... D8/68 X  
D. 280,883 10/1985 Sakamoto et al. .... D8/61 X

[75] Inventor: Roderick F. Bunyea, Westminster, Md.

Primary Examiner—Bruce W. Dunkins  
Assistant Examiner—J. H. Musgrove  
Attorney, Agent, or Firm—Dearing Dennis A.; Charles E. Yocum; John D. Del Ponti

[73] Assignee: Black & Decker Inc., Newark, Del.

[\*\*] Term: 14 Years

[57] CLAIM

[21] Appl. No.: 166,676

The ornamental design for a drill or similar article, as shown and described.

[22] Filed: Mar. 11, 1988

[52] U.S. Cl. .... D8/68

DESCRIPTION

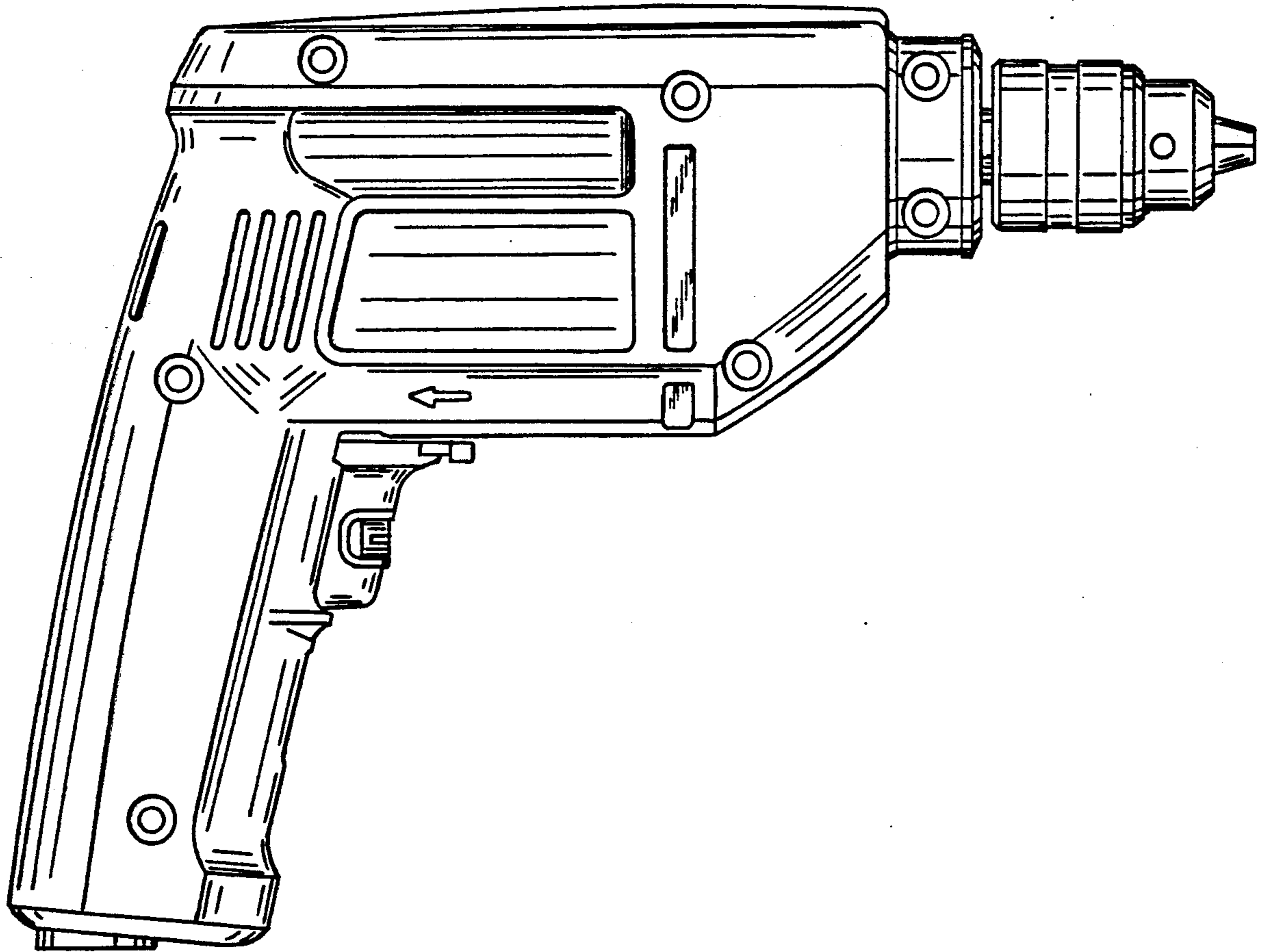
[58] Field of Search ..... D8/61, 62, 68; 81/54, 81/57.11, 57.13, 57.14, 429; 173/163, 170; 408/124, 125, 127; 310/50

FIG. 1 is a left side elevational view of a drill or similar article showing my new design;  
FIG. 2 is a top plan view thereof;  
FIG. 3 is a bottom plan view thereof;  
FIG. 4 is a front elevational view thereof;  
FIG. 5 is a rear elevational view thereof; and  
FIG. 6 is a right side elevational view thereof.

[56] References Cited

U.S. PATENT DOCUMENTS

D. 225,300 12/1972 Boldt ..... D8/68



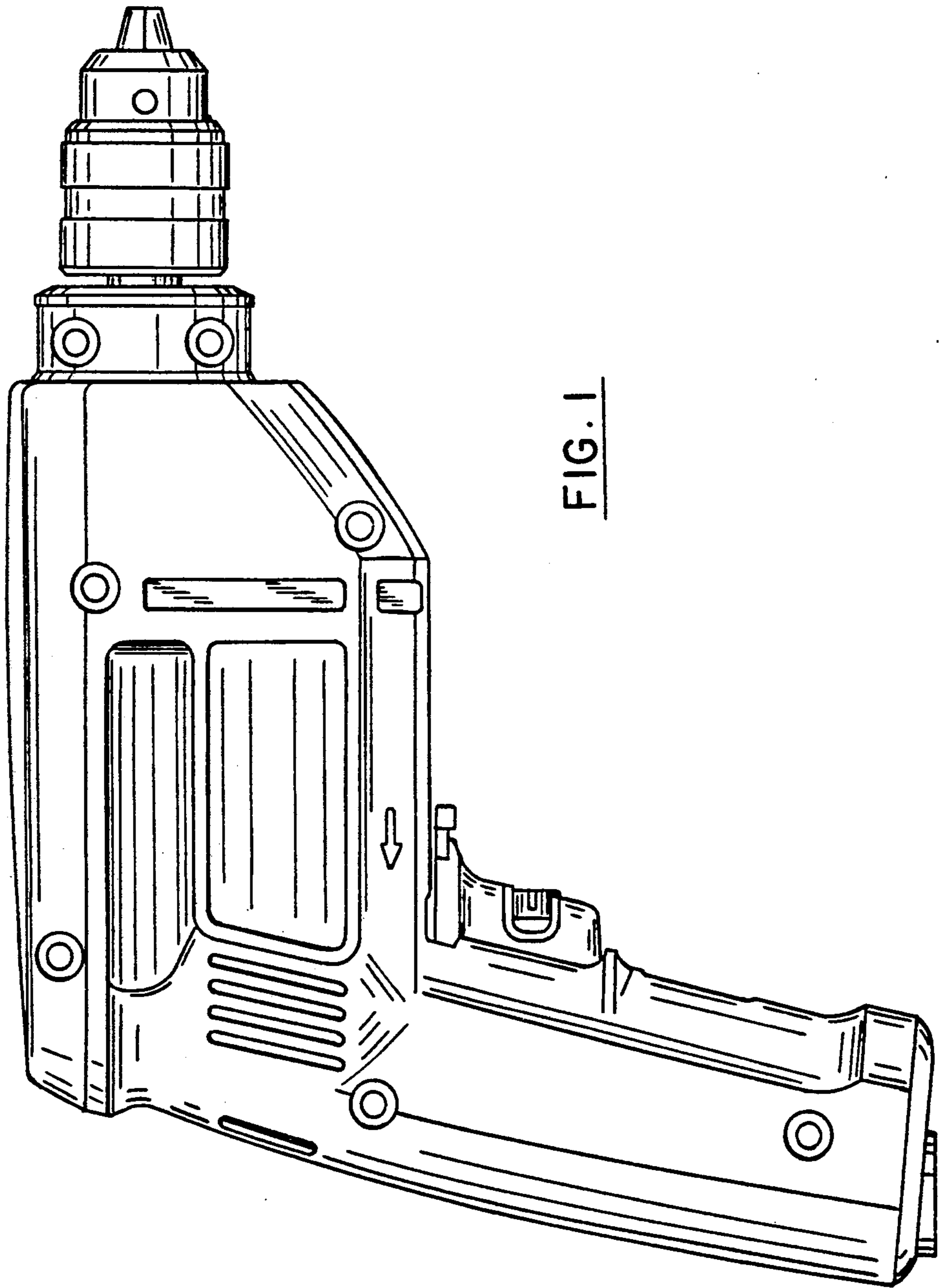


FIG. 1

FIG. 2

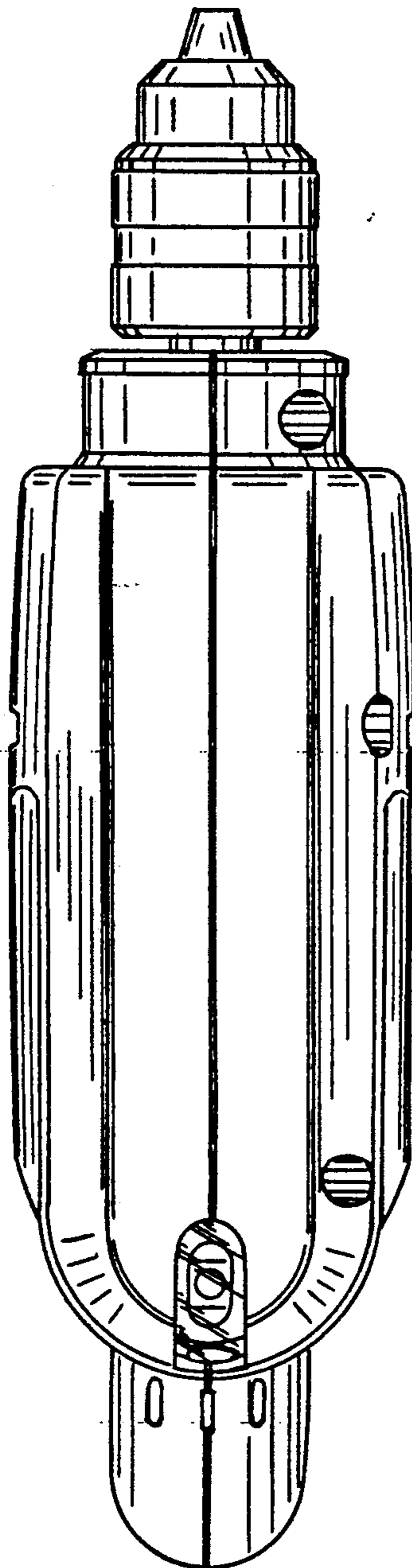


FIG. 3

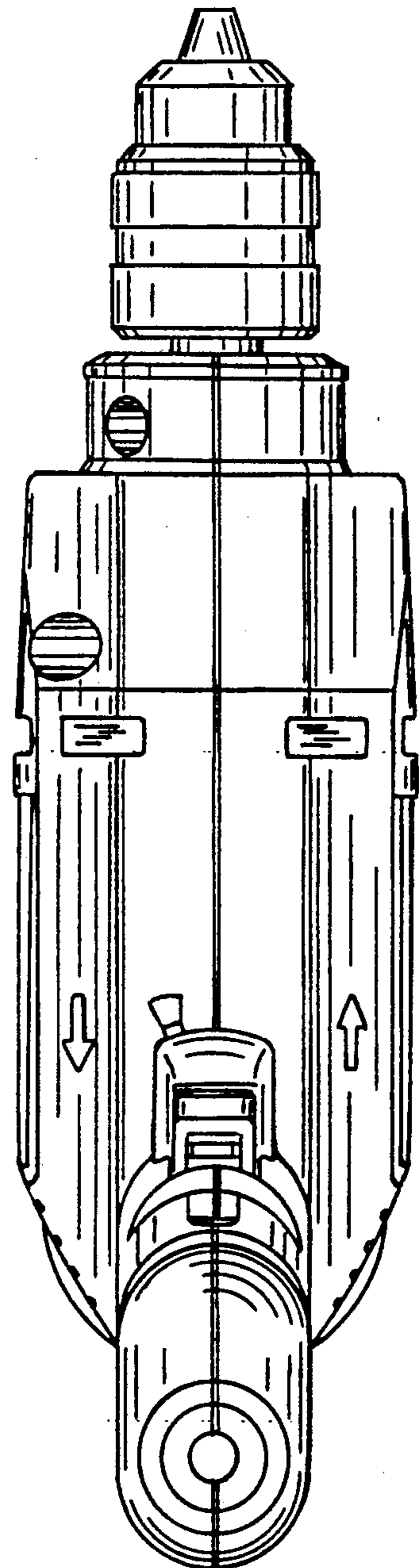


FIG. 5

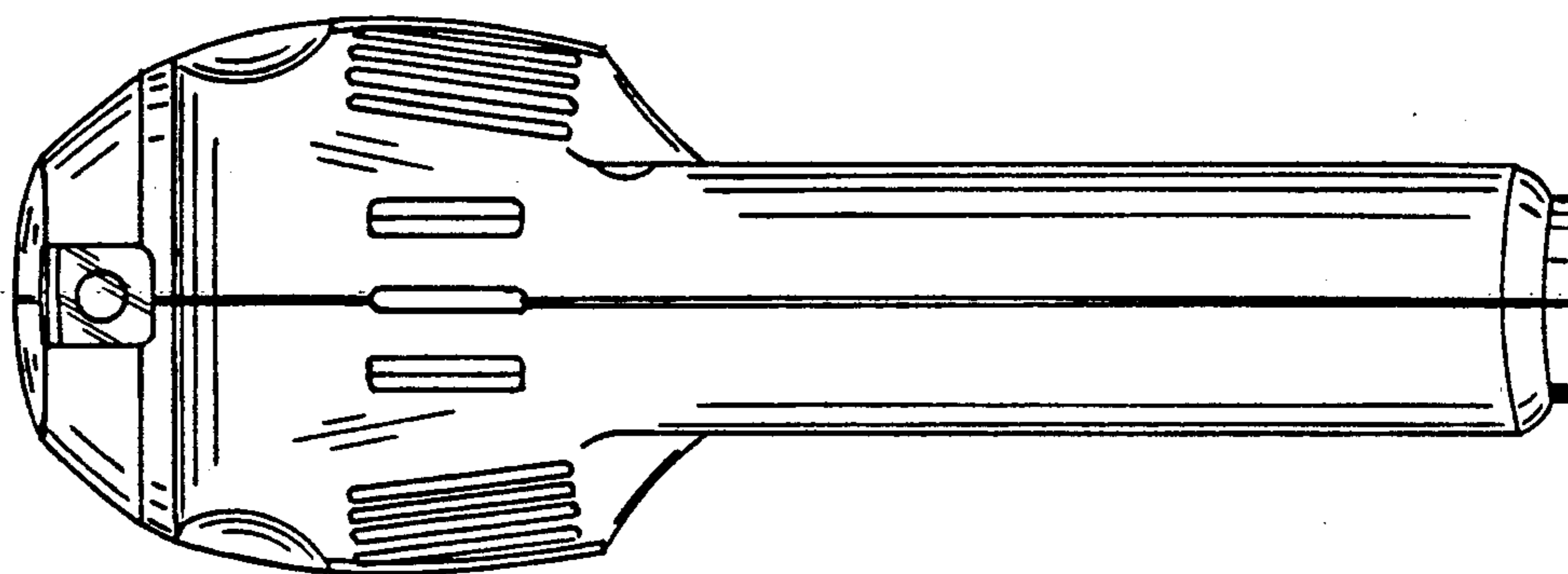
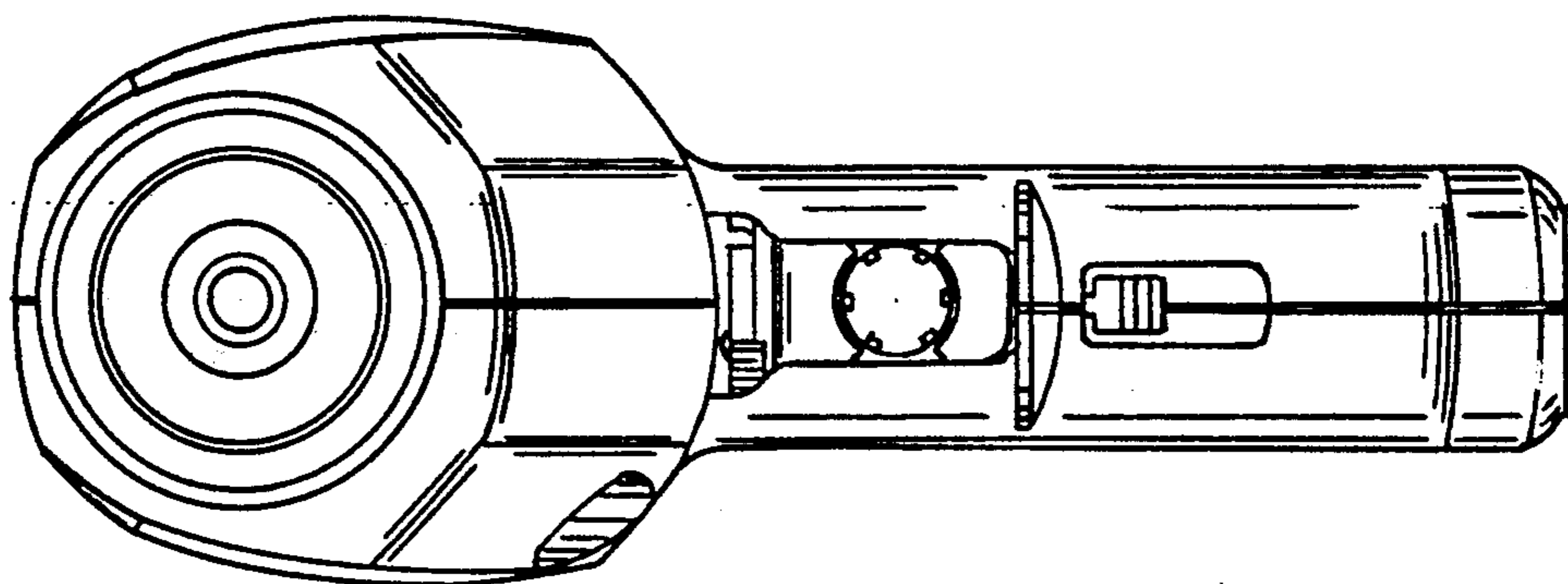


FIG. 4



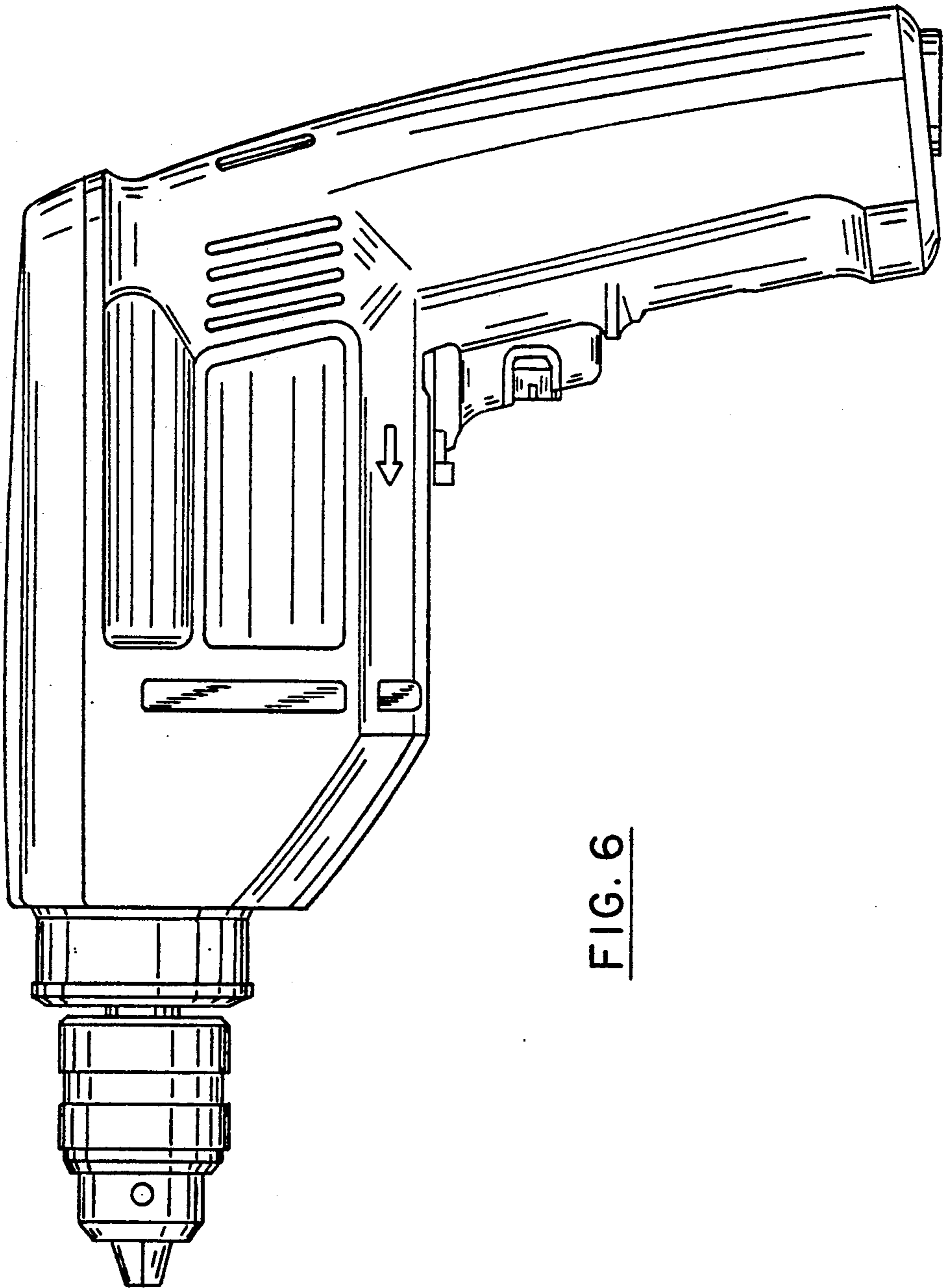


FIG. 6