

[54] PORTABLE ELECTRIC HAMMER DRILL

[75] Inventors: Fusao Fushiya; Takashi Yamazaki; Mikio Saito, all of Anjo, Japan

[73] Assignee: Makita Electric Works, Ltd., Japan

[**] Term: 14 Years

[21] Appl. No.: 192,897

[22] Filed: May 12, 1988

[30] Foreign Application Priority Data

Dec. 22, 1987 [JP] Japan 62-52251

[52] U.S. Cl. D8/61

[58] Field of Search D8/61, 67, 68, 69, 70; 81/57.11, 57.13, 57.14, 464, DIG. 12; 173/170; 408/17, 138, 141, 702

[56] References Cited

FOREIGN PATENT DOCUMENTS

2944275 5/1981 Fed. Rep. of Germany 173/170

OTHER PUBLICATIONS

Bosch Hammer Breakers Catalog, 5/1970, p. 3, rotary hammer #201 (catalog in D8 boxes).

Skil Roto-set Hammers catalog, 5/1973, p. 6, top item, model No. 707, (catalog in D8 boxes).

Red Head Philips anchors brochure, 10/1975, one page, model #747, far right (brochure in D8/69).

Kango Electric Hammers catalog, 10/1985, model #422 (Catalog in D8 boxes).

Primary Examiner—Nelson C. Holtje

Assistant Examiner—Gary D. Watson

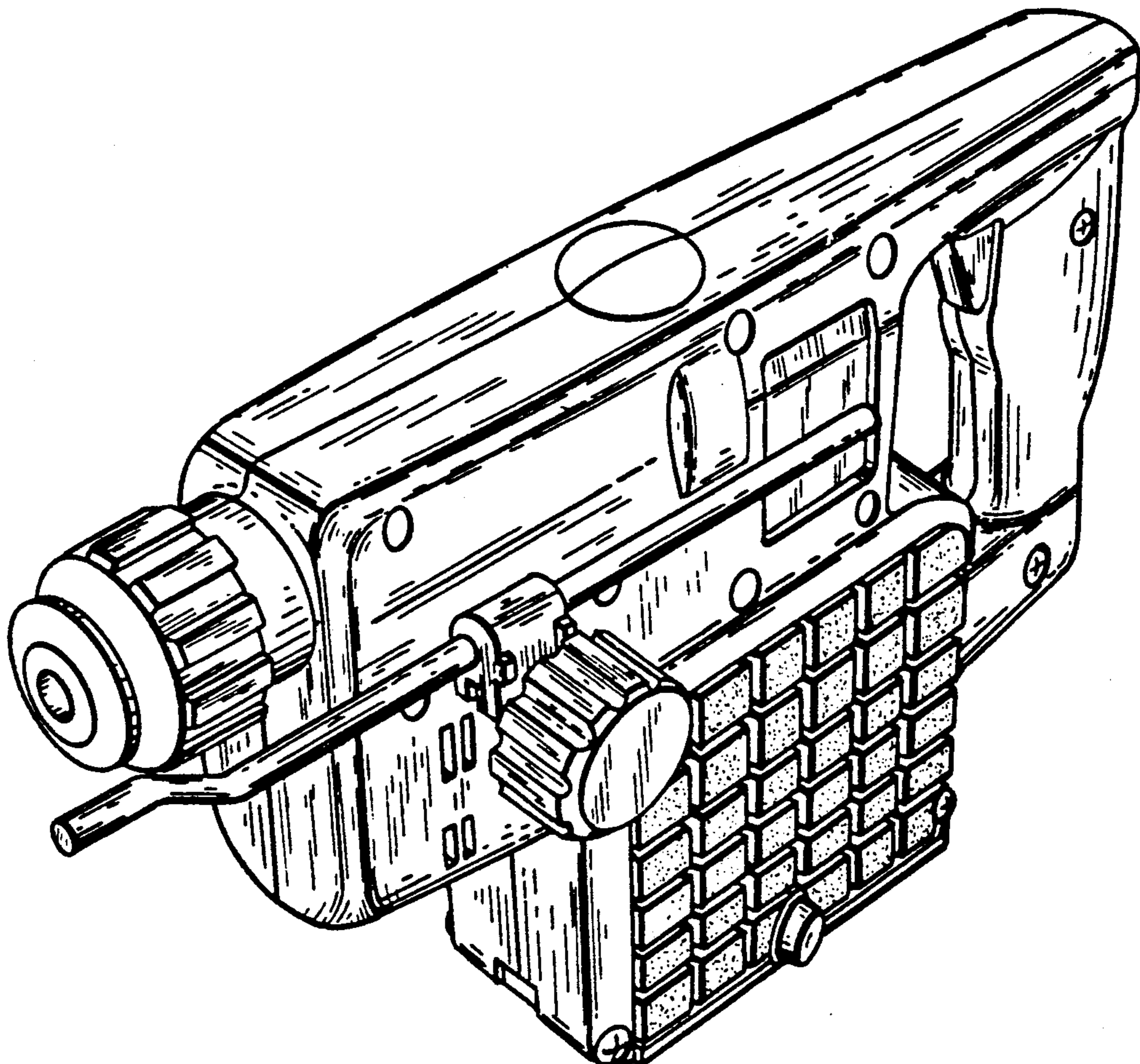
Attorney, Agent, or Firm—Wolf, Greenfield & Sacks

[57] CLAIM

The ornamental design for portable electric hammer drill, as shown.

DESCRIPTION

FIG. 1 is a top, front and right side perspective view of portable electric hammer drill showing our new design; FIG. 2 is a left side elevational view thereof; FIG. 3 is a right side elevational view thereof; FIG. 4 is a bottom plan view thereof; FIG. 5 is a top plan view thereof; FIG. 6 is a rear elevational view thereof; and FIG. 7 is a front elevational view thereof.



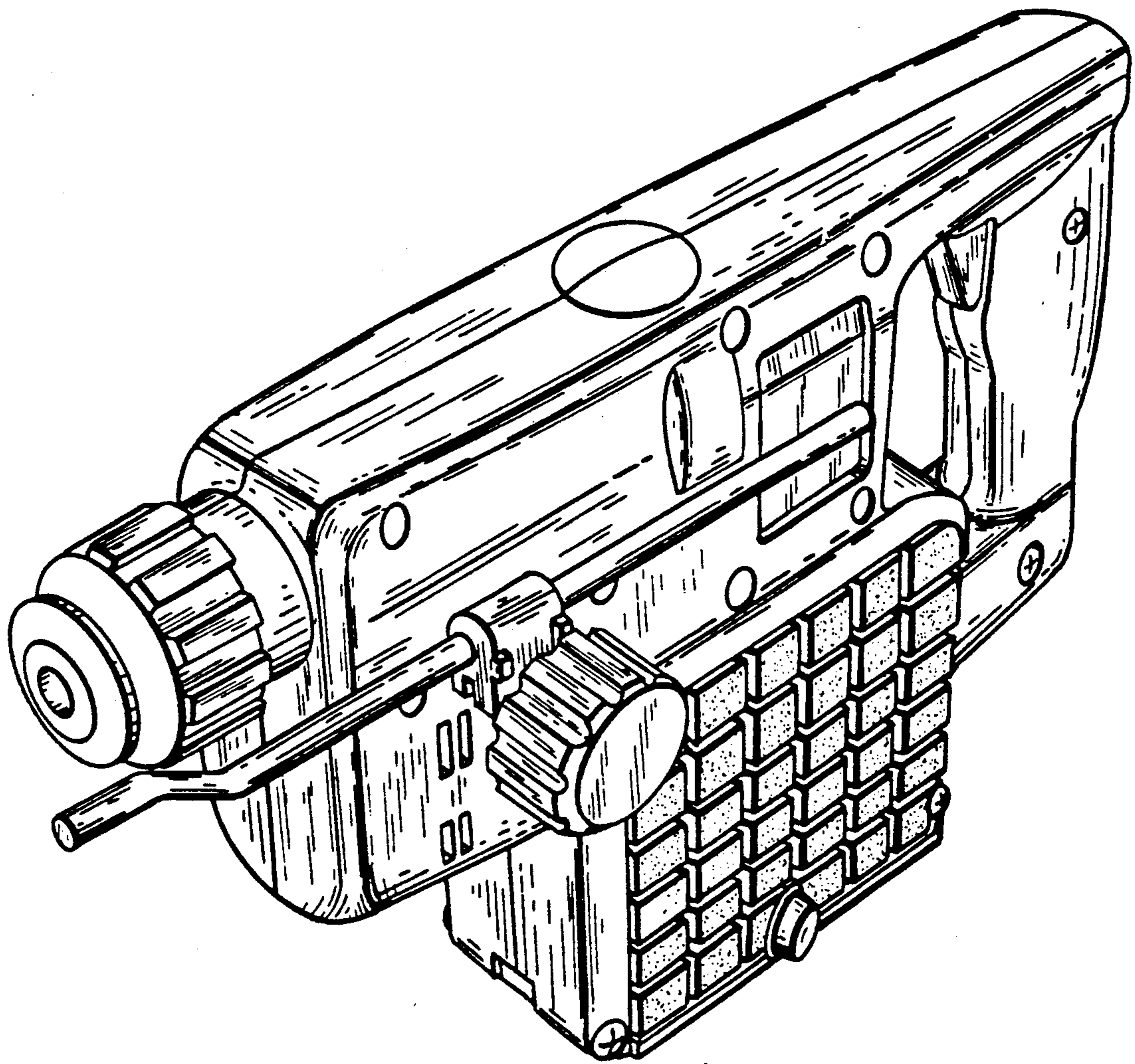


FIG. 1

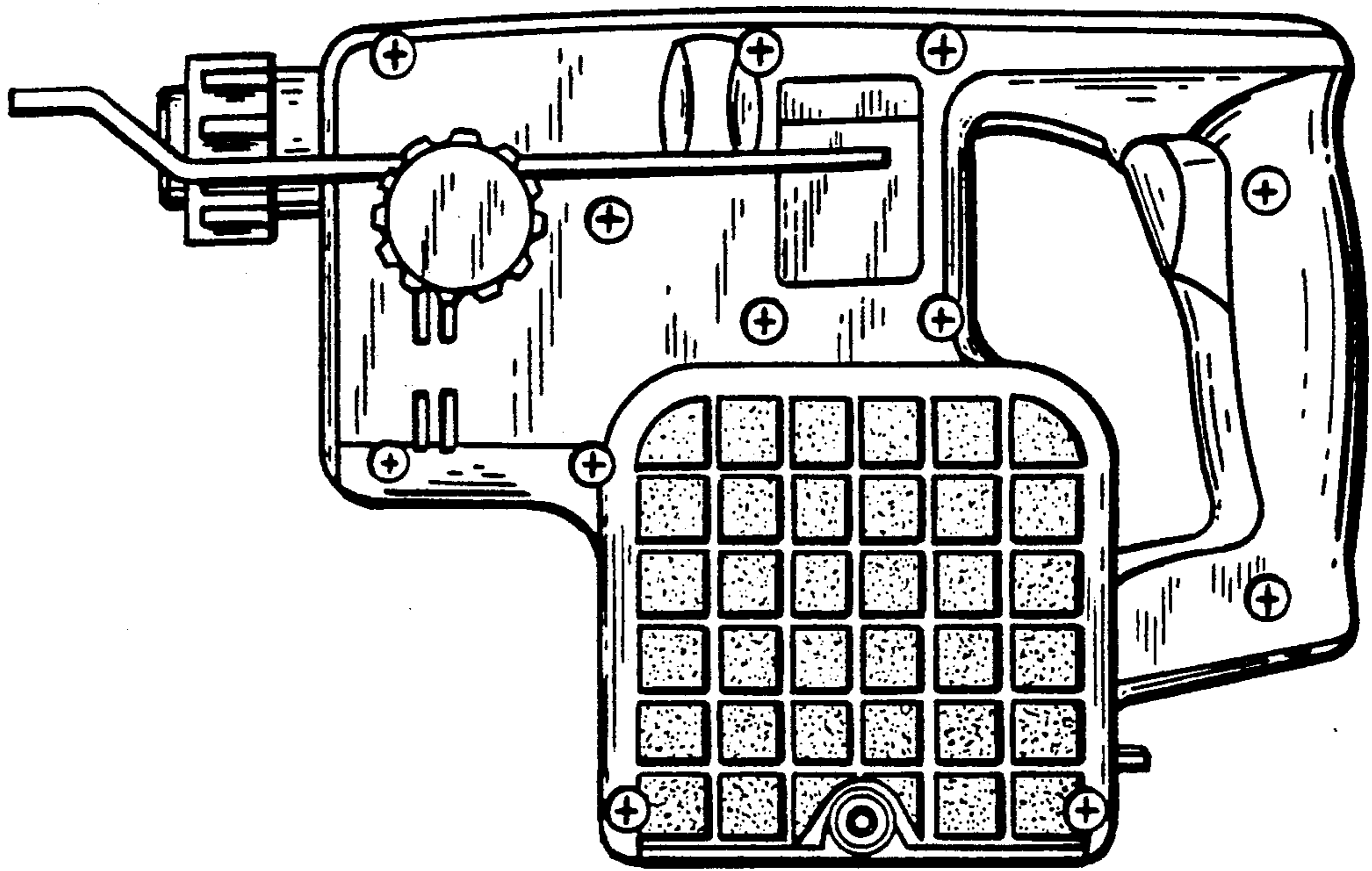


FIG. 3

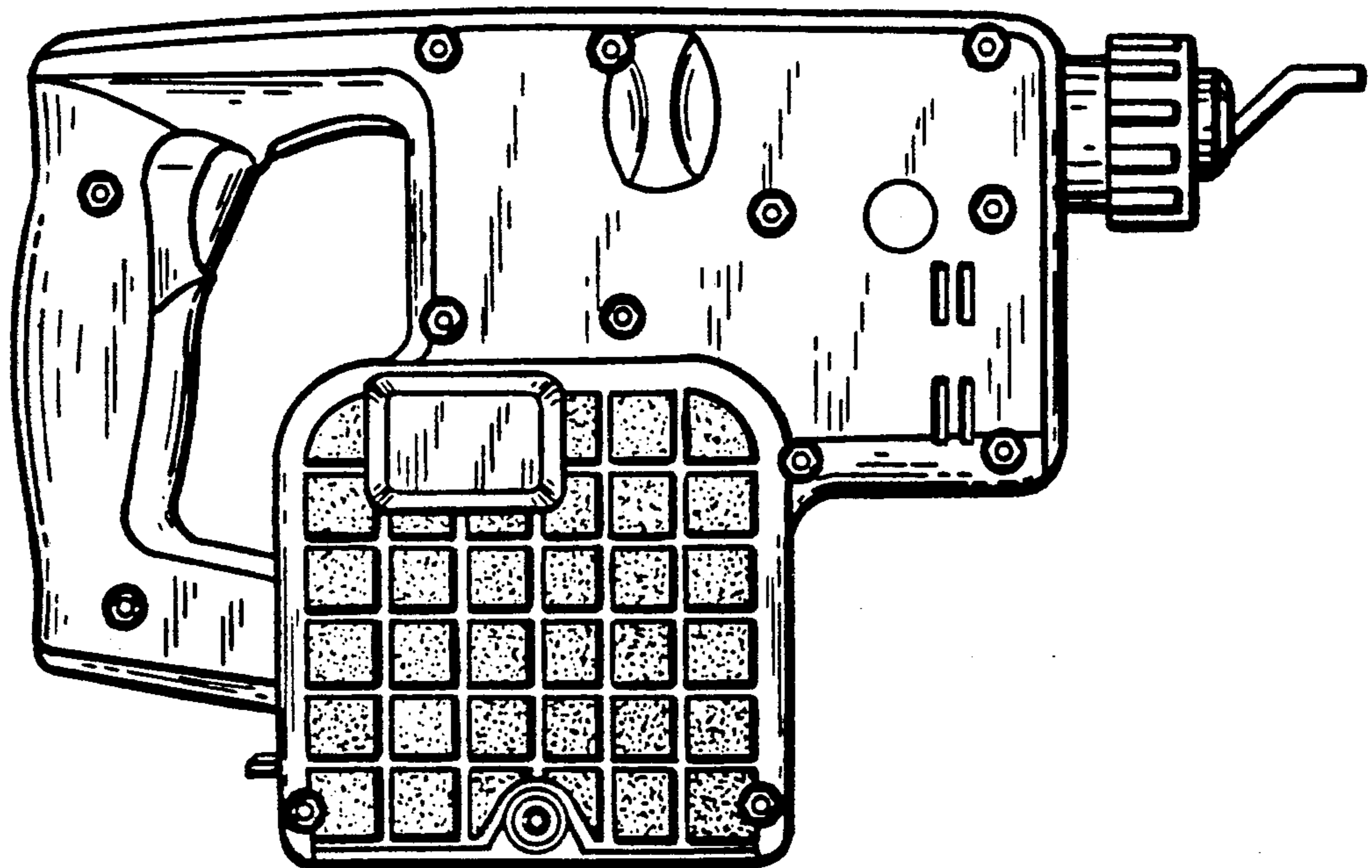


FIG. 2

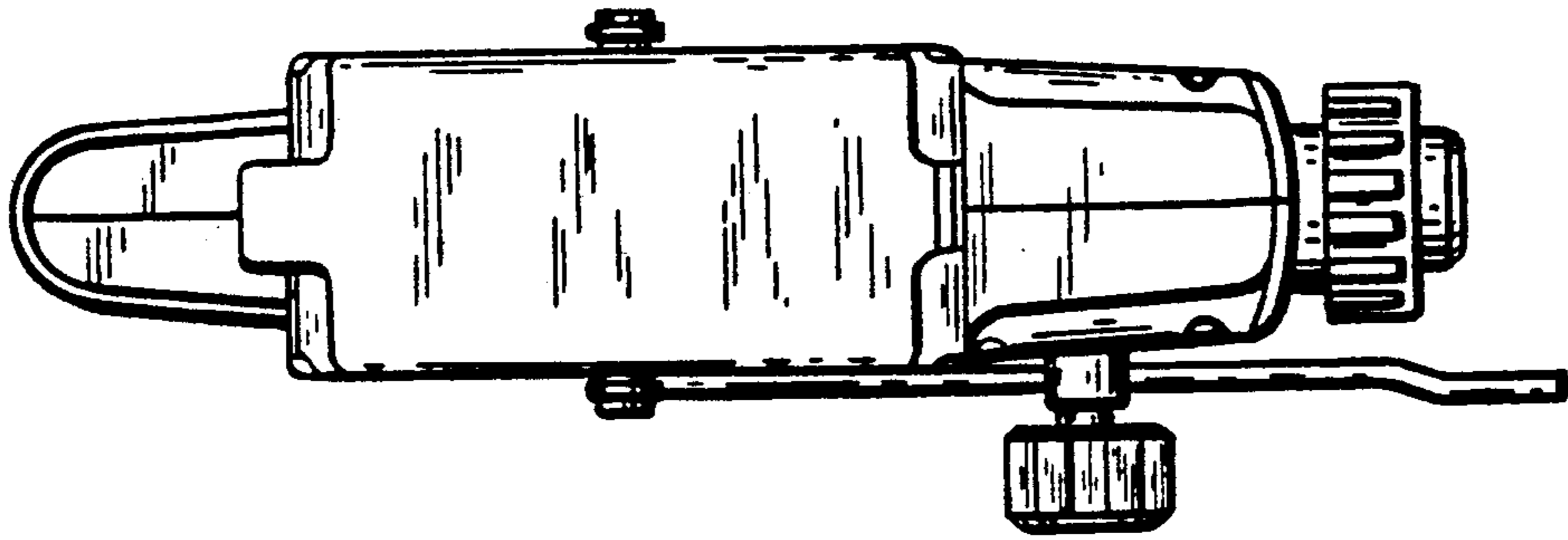


FIG. 4

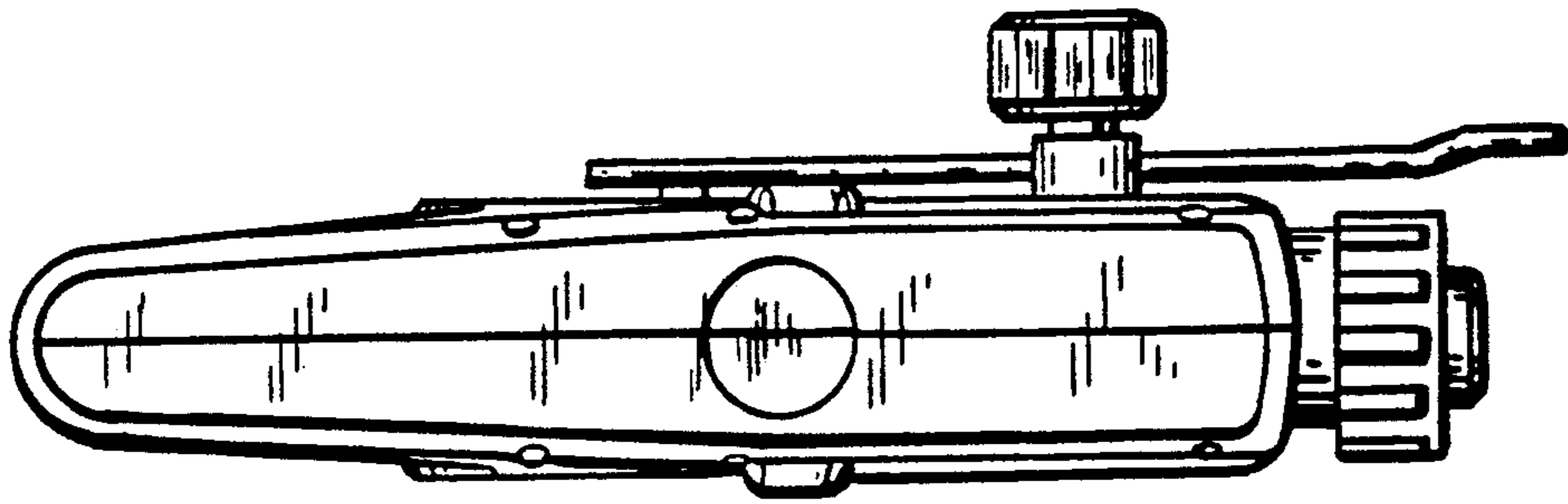


FIG. 5

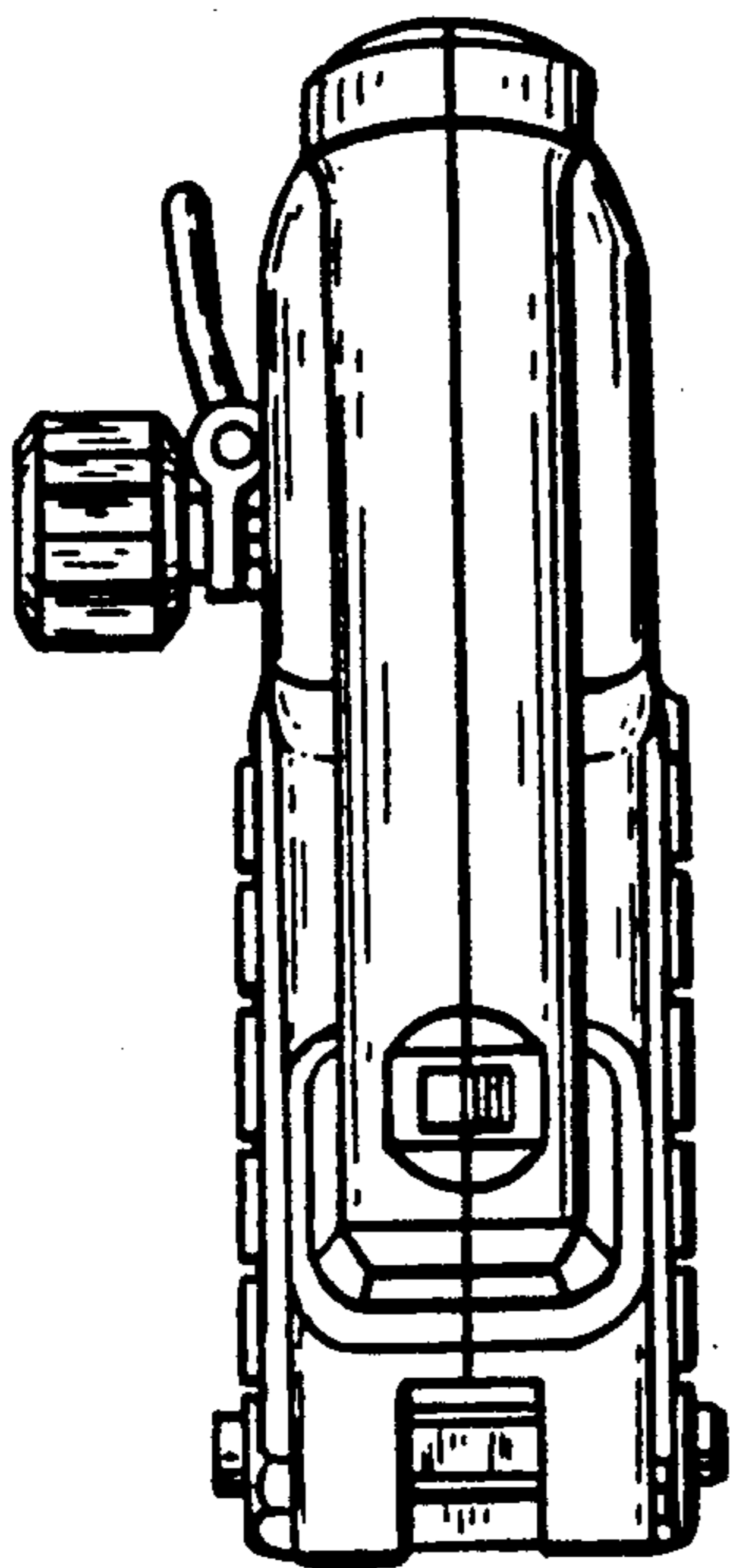


FIG. 6

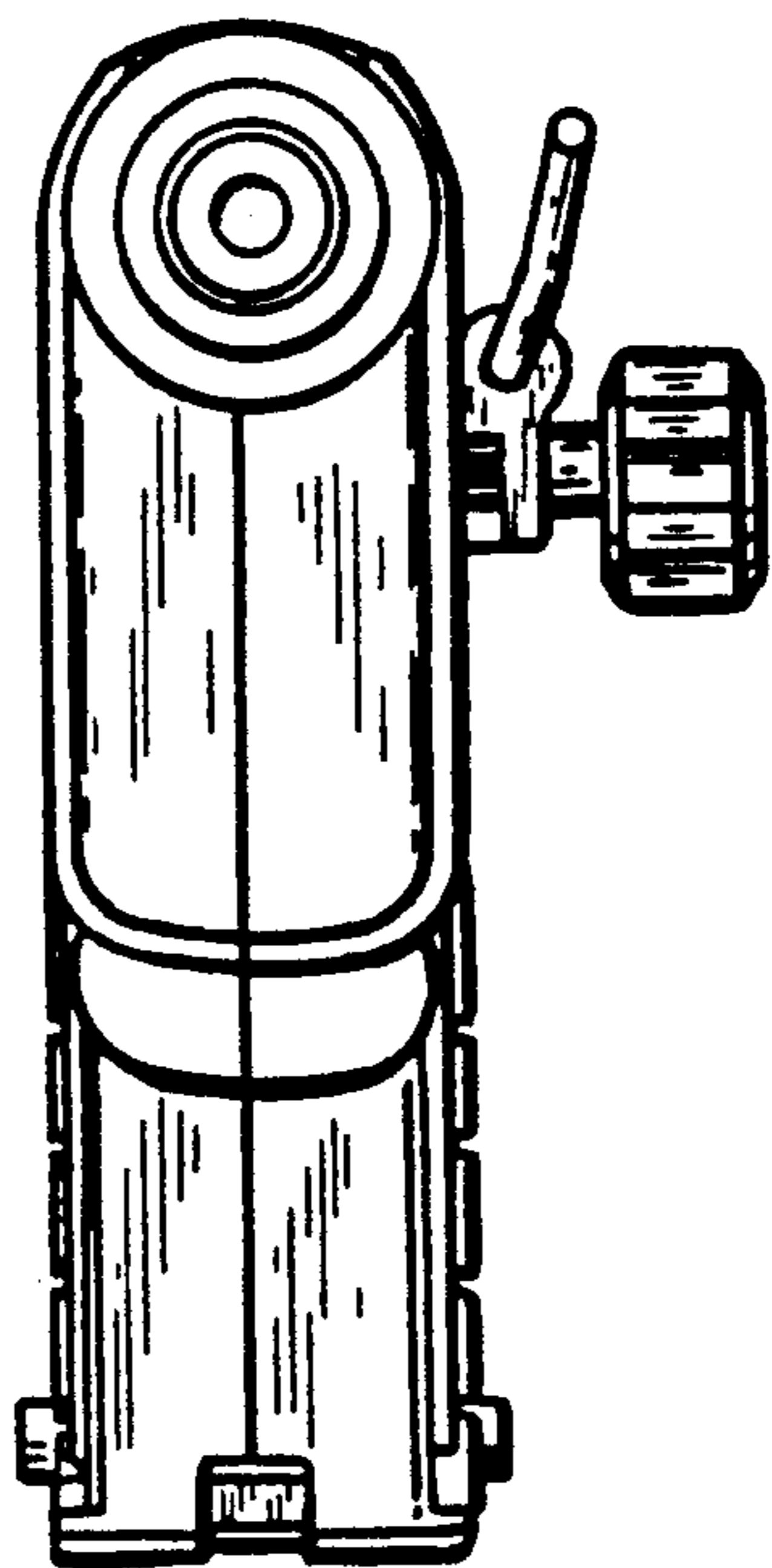


FIG. 7