

[54] **TRIGGER FEED GLUE GUN**

[75] **Inventor: Richard A. Belanger, Kensington, N.H.**

[73] **Assignee: Adhesive Technologies, Inc., Hampton, N.H.**

[**] **Term: 14 Years**

[21] **Appl. No.: 162,364**

[22] **Filed: Feb. 29, 1988**

[52] **U.S. Cl. D8/30; D8/68**

[58] **Field of Search D8/14.1, 29.1, 29.2, D8/30, 61, 68; 222/146.2, 146.5**

[56] **References Cited**

U.S. PATENT DOCUMENTS

D. 303,612 9/1989 Knispel D8/14.1
4,379,516 4/1983 Barlogis 222/146.5

OTHER PUBLICATIONS

Dremel "Pro-Bonder" Glue Guns, brochure, front cover left item, Model No. 810. (brochure in D8 boxes).

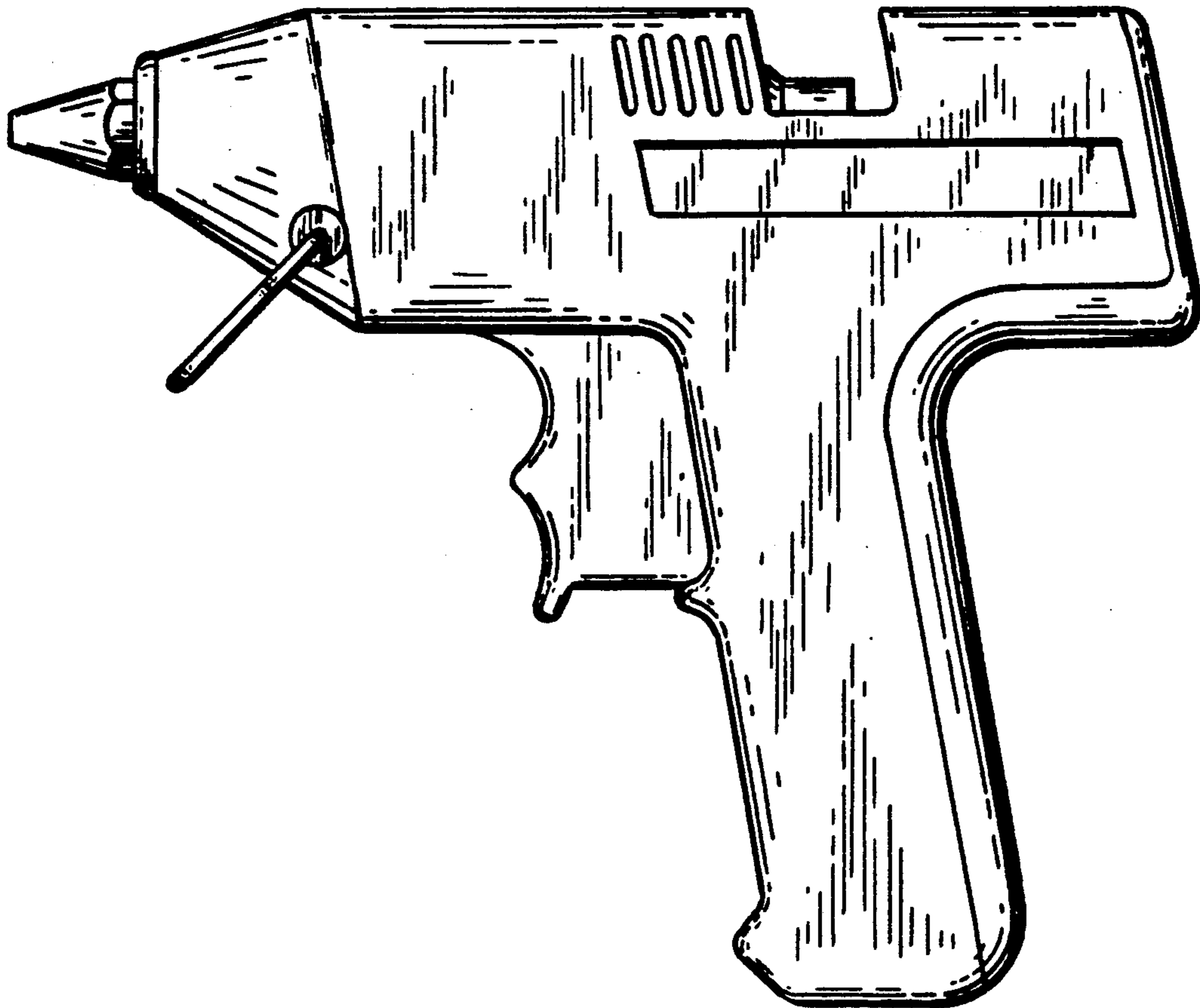
Primary Examiner—Bruce W. Dunkins
Assistant Examiner—Gary D. Watson
Attorney, Agent, or Firm—Samuels, Gauthier & Stevens

[57] **CLAIM**

The ornamental design for a trigger feed glue gun, as shown and described.

DESCRIPTION

FIG. 1 is a right side elevational view of a trigger feed glue gun showing my new design; FIG. 2 is a left side elevational view; FIG. 3 is a front elevational view; FIG. 4 is a rear elevational view; FIG. 5 is a top plan view; and FIG. 6 is a bottom plan view thereof.



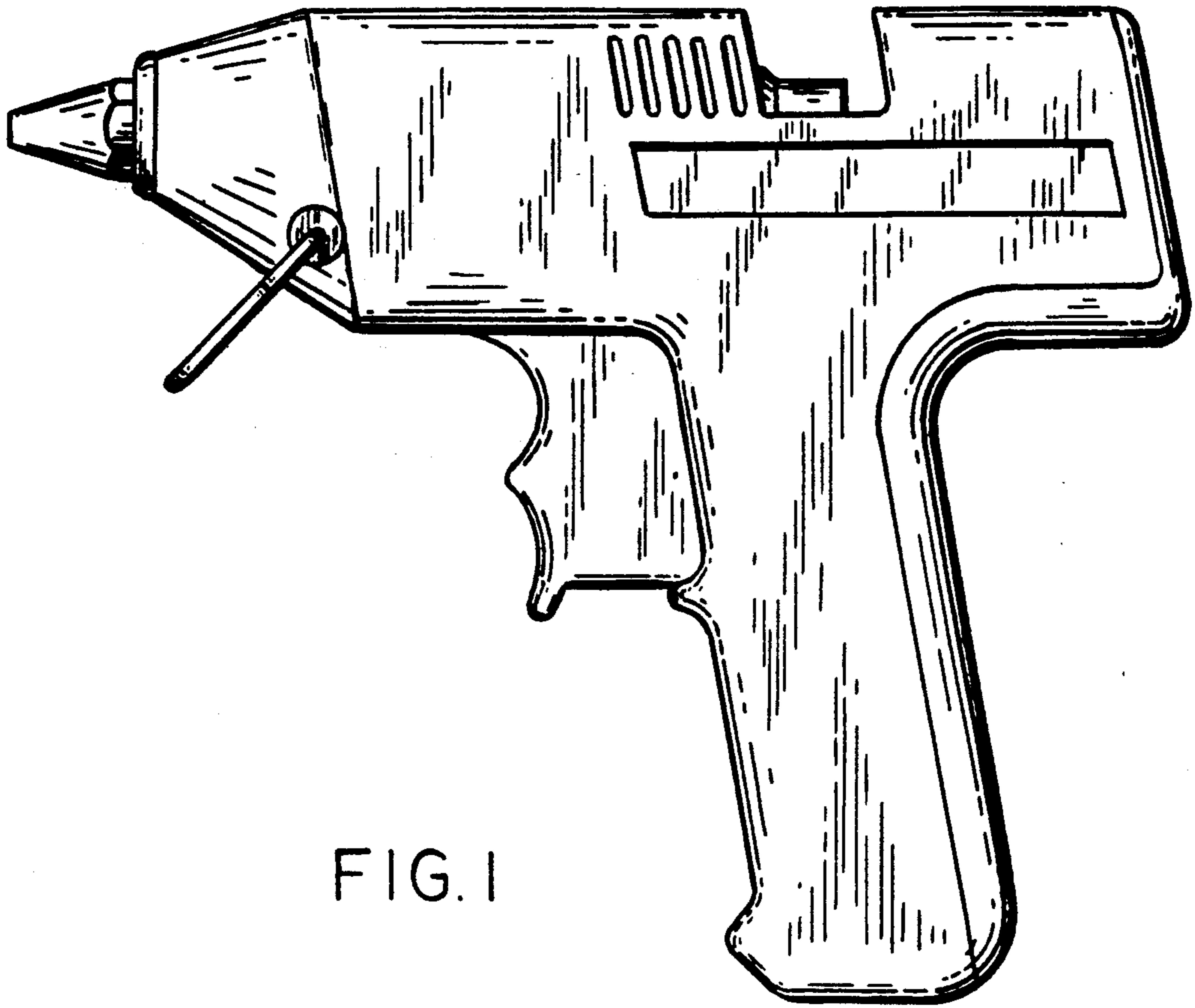


FIG. 1

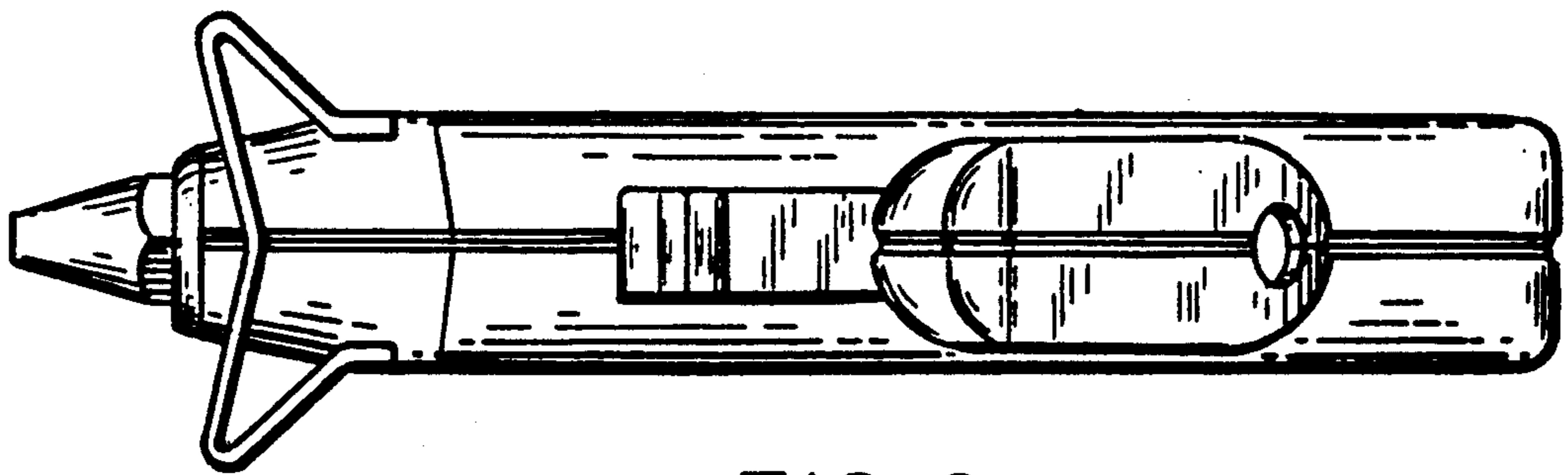


FIG. 6

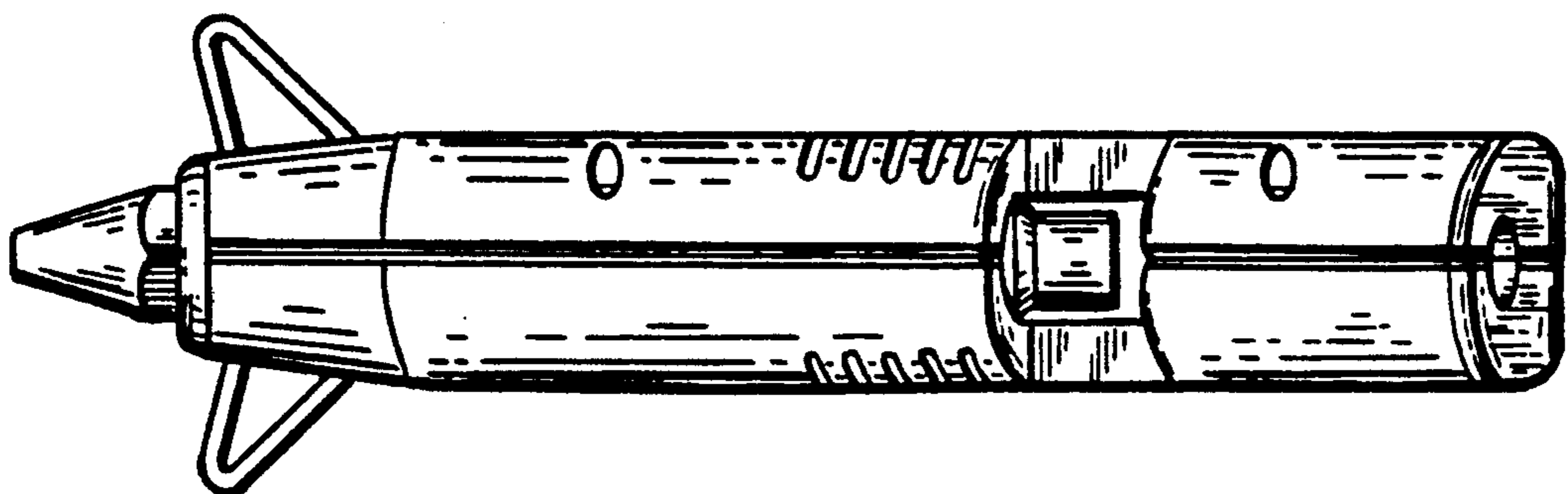


FIG. 5

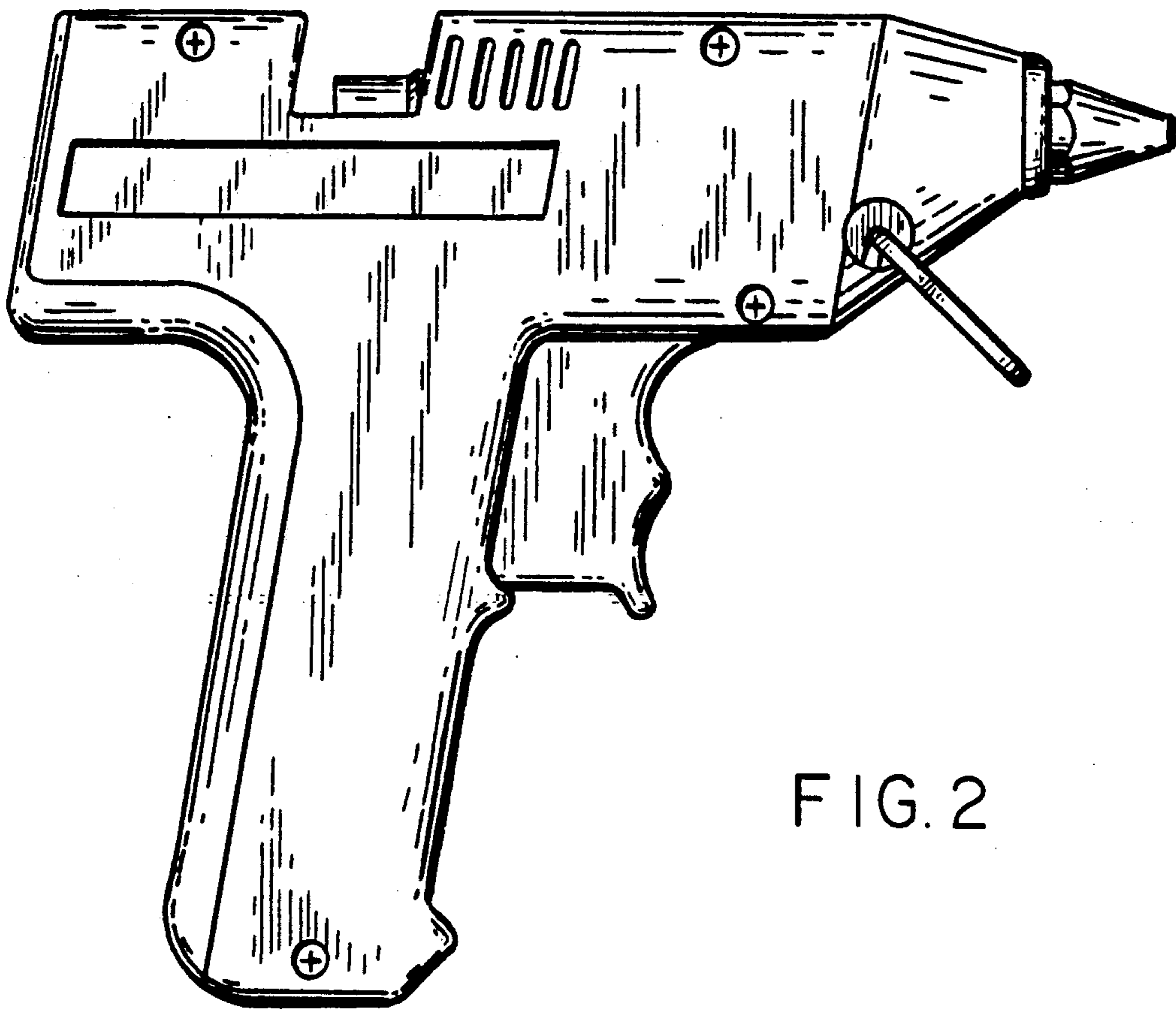


FIG. 2

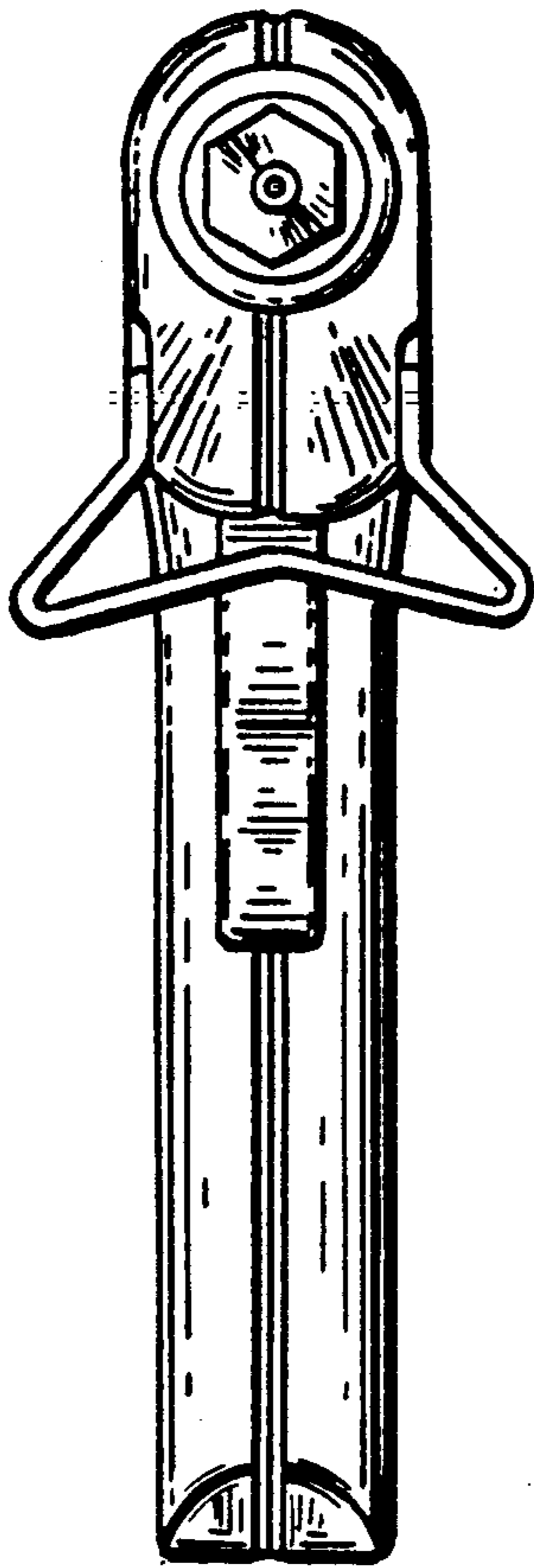


FIG. 3

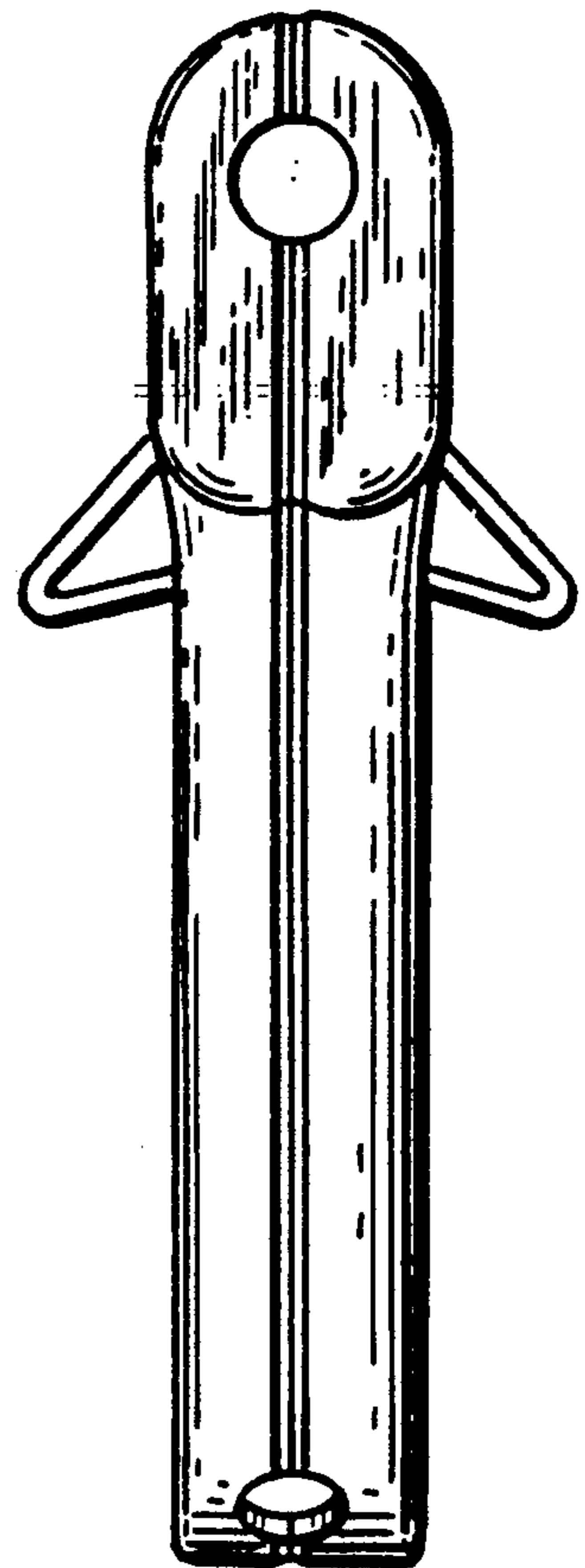


FIG. 4