

[54] FRUIT PEELING UTENSIL

[76] Inventor: Chun T. Chung, 163-192,
Youngchun-Dong, Seodaemoon-ku,
Seoul, Rep. of Korea

[**] Term: 14 Years

[21] Appl. No.: 260,353

[22] Filed: Oct. 19, 1988

[30] Foreign Application Priority Data

May 12, 1988 [KR] Rep. of Korea 6492/1988[U]

[52] U.S. Cl. D7/695

[58] Field of Search D7/693, 695; 294/5;
30/278, 279.2, 279.4, 279.6, 123.5, 123.6, 123.7,
113.3

[56] References Cited

U.S. PATENT DOCUMENTS

D. 265,163 6/1982 Steiner D7/695
D. 290,804 7/1987 Chasan D7/695
2,232,940 2/1941 Fender 30/278

3,465,437 9/1969 Brown .

Primary Examiner—Bernard Ansher
Assistant Examiner—Terry A. Pfeffer
Attorney, Agent, or Firm—Bierman and Muserlian

[57] CLAIM

The ornamental design for a fruit peeling utensil, as shown and described.

DESCRIPTION

FIG. 1 is a perspective view of a fruit peeling utensil showing my new design;

FIG. 2 is a sectional view taken along line 2—2 of FIG. 1;

FIG. 3 is a front elevational view thereof;

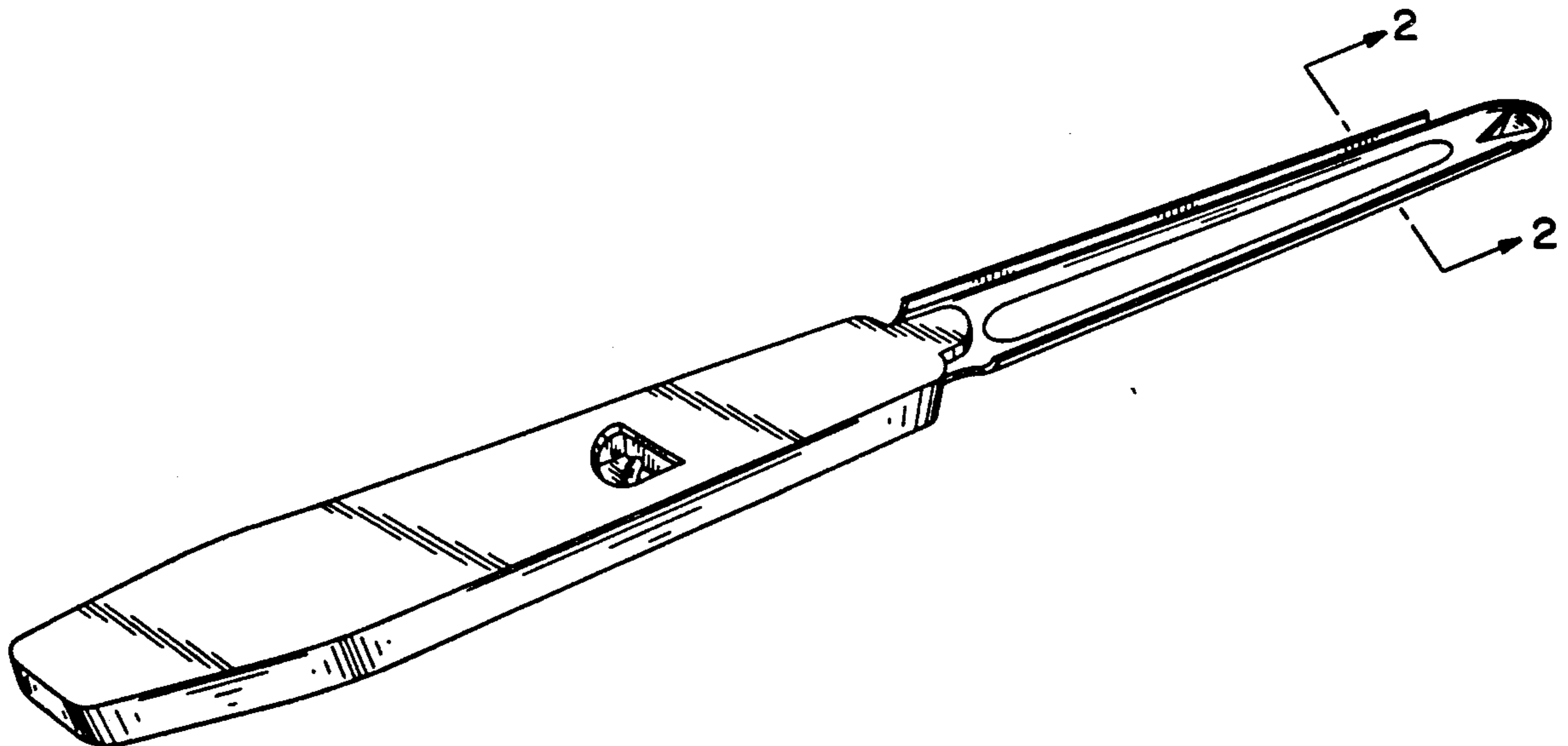
FIG. 4 is a rear elevational view thereof;

FIG. 5 is a top plan view thereof;

FIG. 6 is a bottom plan view thereof;

FIG. 7 is a right side elevational view thereof, the opposite side being a mirror image; and

FIG. 8 is a sectional view taken along line 8—8 of FIG. 5.



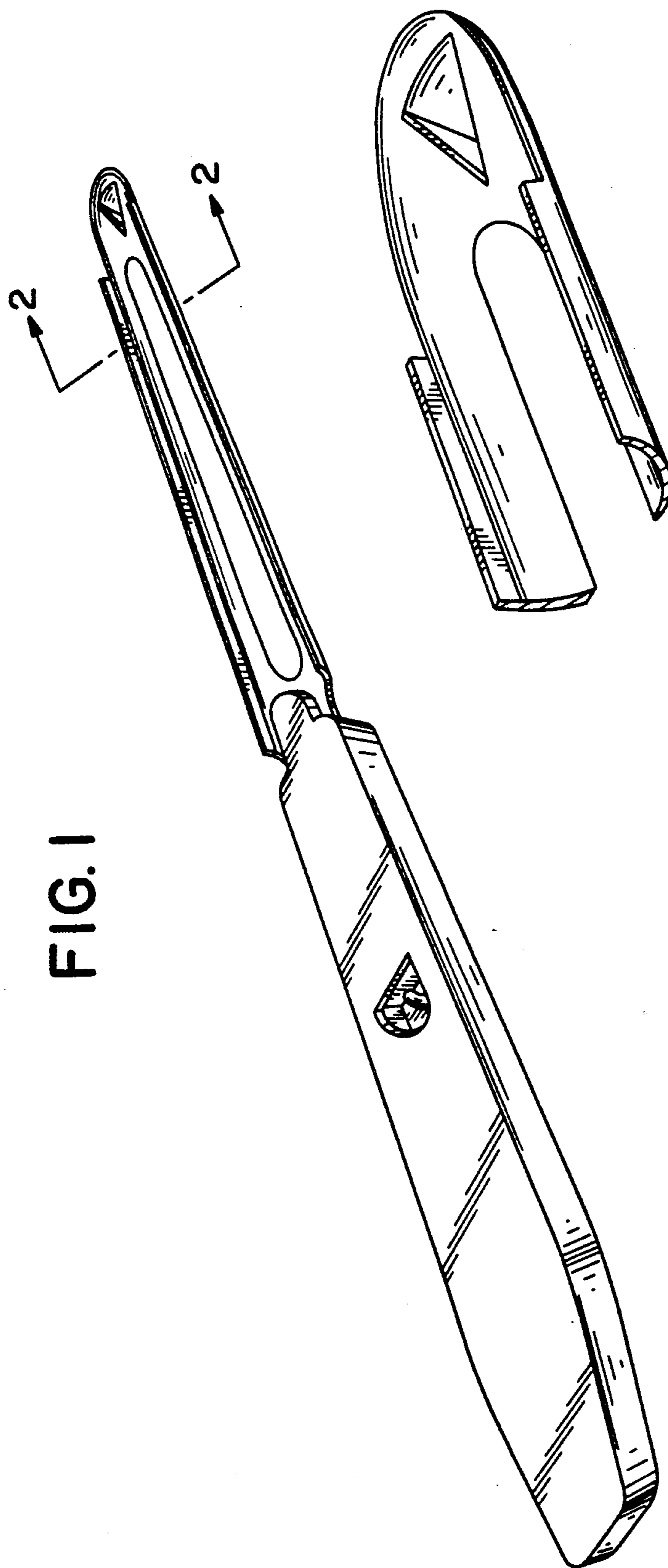


FIG. 1

FIG. 2

FIG. 3



FIG. 4



FIG. 5

8 ←

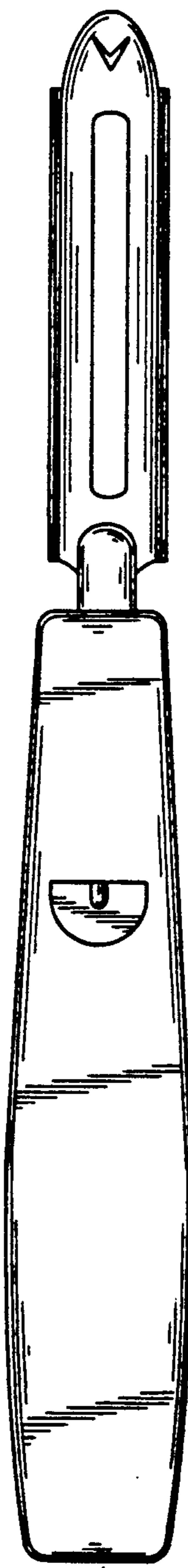


FIG. 6

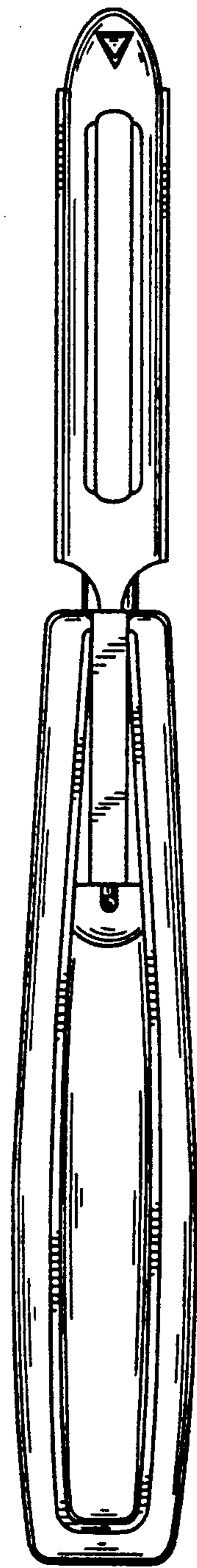


FIG. 7

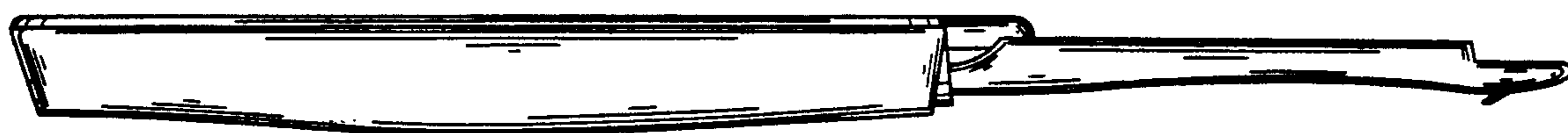


FIG. 8

