

[54] FOOD DISH

[76] Inventor: David W. Guy, 1008 S. First St.,
Pinckneyville, Ill. 62274

[**] Term: 14 Years

[21] Appl. No.: 311,581

[22] Filed: Feb. 16, 1989

[52] U.S. Cl. D7/586; D30/129

[58] Field of Search D30/121, 130, 131, 132,
D30/133; 119/20, 27, 51.01, 51.2, 51.3, 51.5,
52.1, 52.4, 53, 57, 58, 59, 61, 72, 74; D7/550,
554, 555, 586, 587

[56] References Cited

U.S. PATENT DOCUMENTS

103,935	5/1870	Shermon	119/51.5
D. 114,685	5/1939	Mikesell	D7/550
D. 185,872	8/1959	Forsman	D7/555
D. 212,495	10/1968	Stageberg	D7/554
D. 242,813	12/1976	Walker	D30/131
D. 257,110	9/1980	Conti	D7/554
D. 258,632	3/1981	Commisso	D7/38
D. 268,728	4/1983	Poling	D7/555
D. 270,225	8/1983	Chiulli	D7/554
D. 271,954	12/1983	Neil	D30/131
D. 286,332	10/1986	Christianson	D30/13
D. 287,233	12/1986	Foote et al.	D11/156
D. 289,570	4/1987	Hageney	D30/13
290,948	12/1883	Wakefield	119/58

384,357	6/1888	Garrett	119/53
1,441,345	1/1923	Heacock	119/52.4
1,512,987	10/1924	Jorenby	119/58
1,522,084	1/1925	Swearingen	119/52.1
3,417,875	12/1968	Barker	D7/550

FOREIGN PATENT DOCUMENTS

597767	10/1934	Fed. Rep. of Germany	119/52.1
83/03739	11/1983	PCT Int'l Appl.	119/52.4
149814	8/1920	United Kingdom	119/61

OTHER PUBLICATIONS

Thermalene Pds. Inc. Brochure; p. 1; item "le buffet".

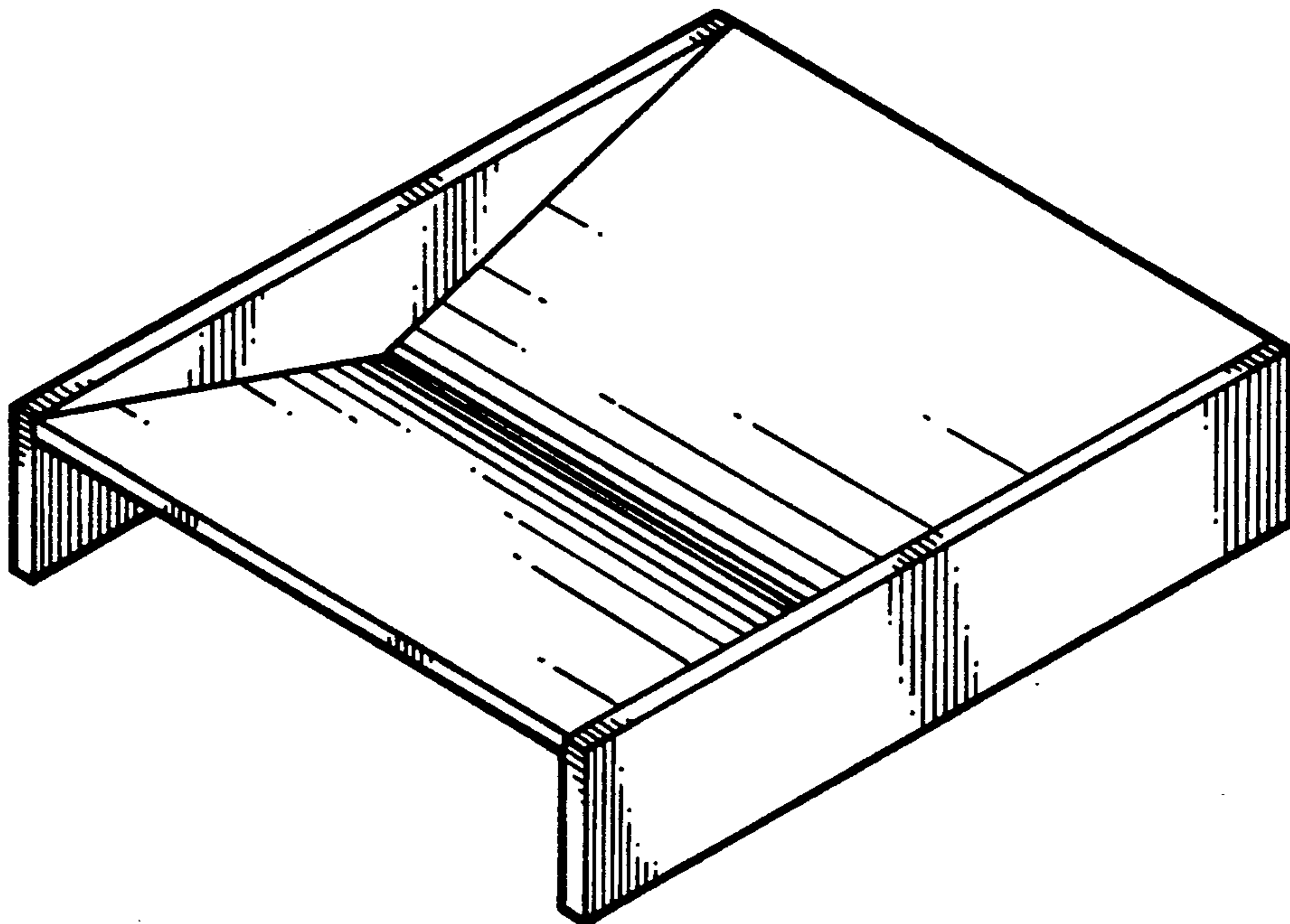
Primary Examiner—James R. Largen
Assistant Examiner—Cathy Anne MacCormac
Attorney, Agent, or Firm—Don W. Weber

[57] CLAIM

The ornamental design for a food dish, as shown and described.

DESCRIPTION

FIG. 1 is a top and side perspective view of a food dish showing my new design;
FIG. 2 is a top plan view thereof;
FIG. 3 is a bottom plan view thereof;
FIG. 4 is a front elevational view thereof, the rear being identical to the front view shown; and
FIG. 5 is a side elevational view thereof, the opposite side being identical to the side shown.



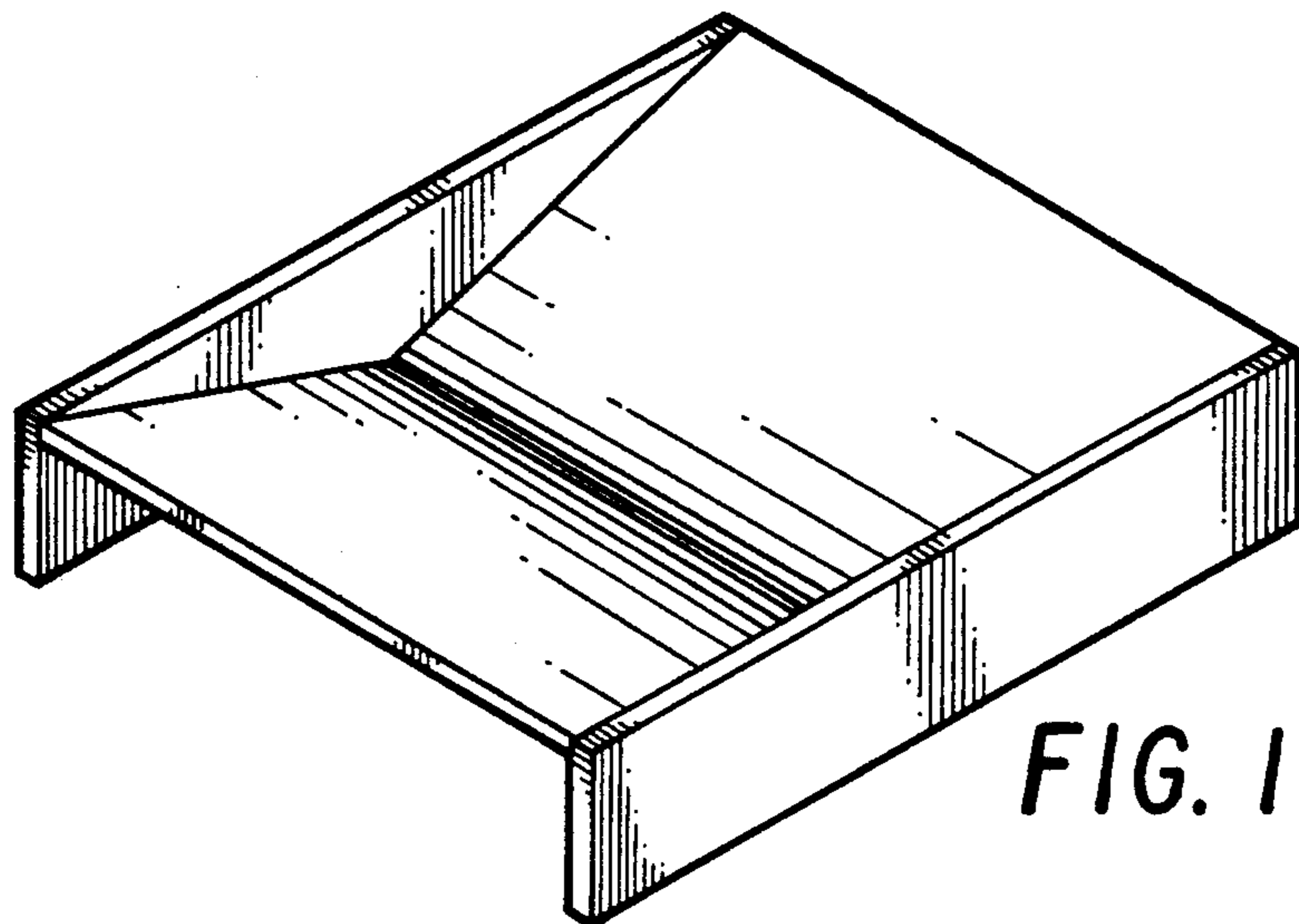


FIG. 1

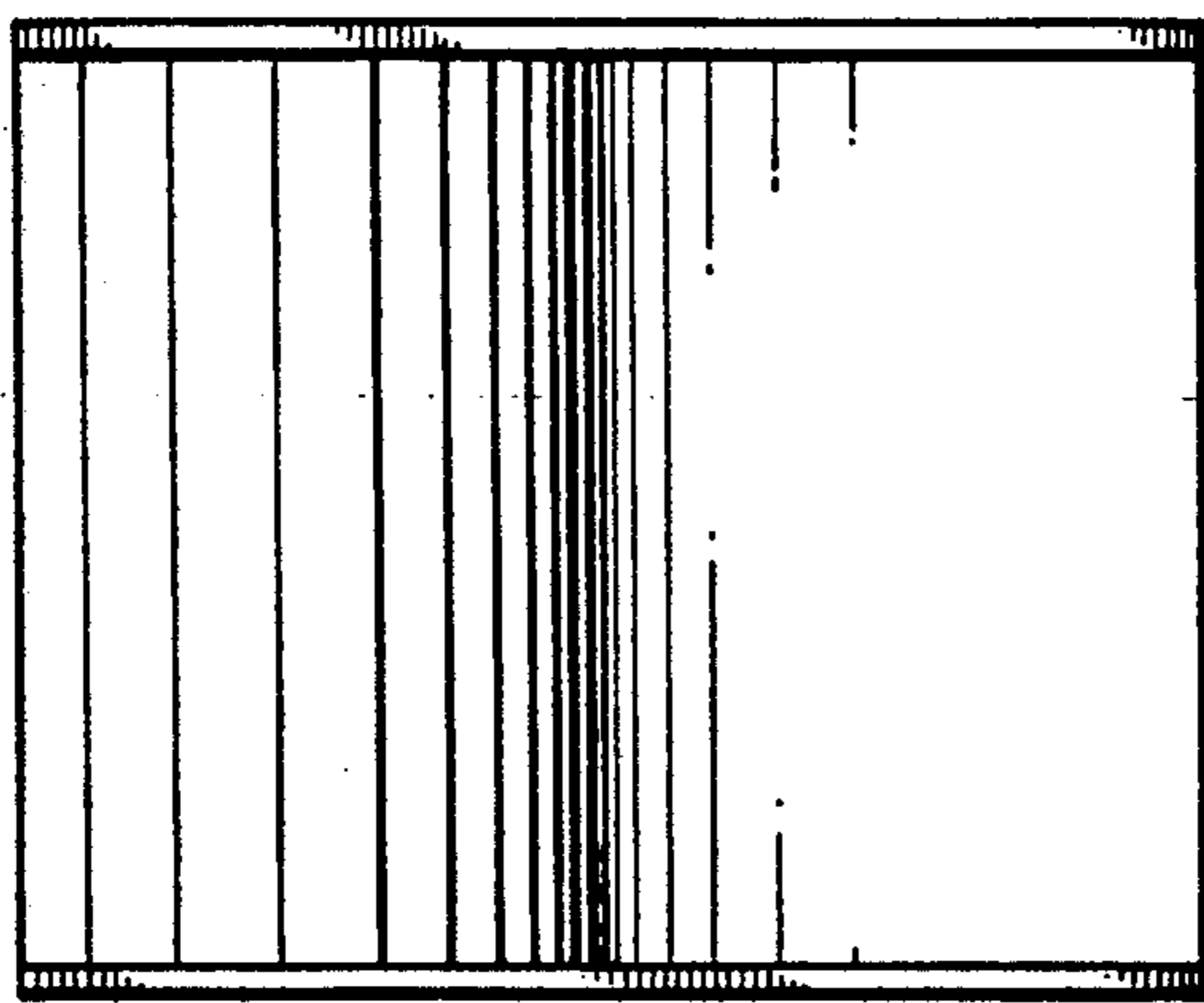


FIG. 2

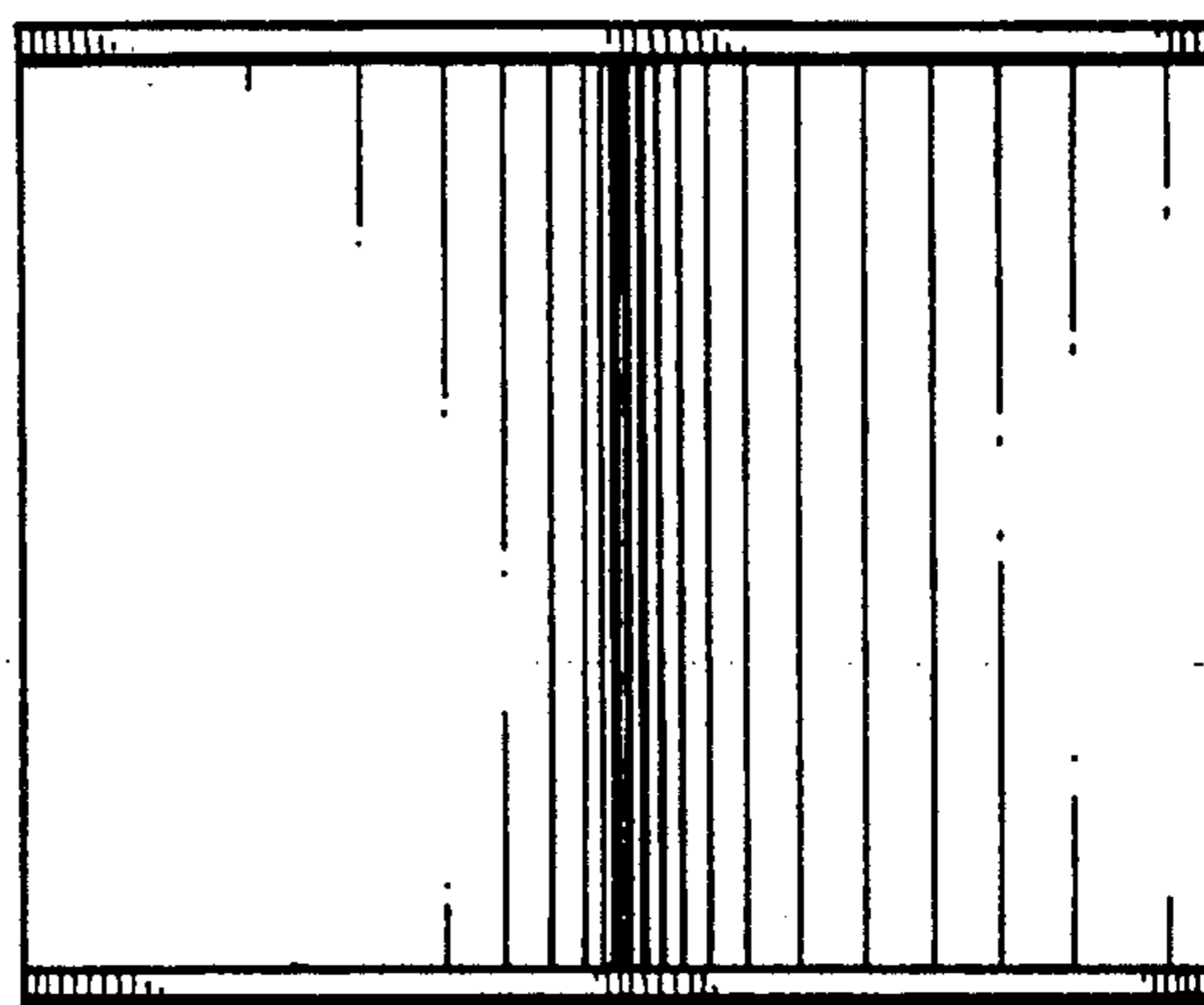


FIG. 3

FIG. 4

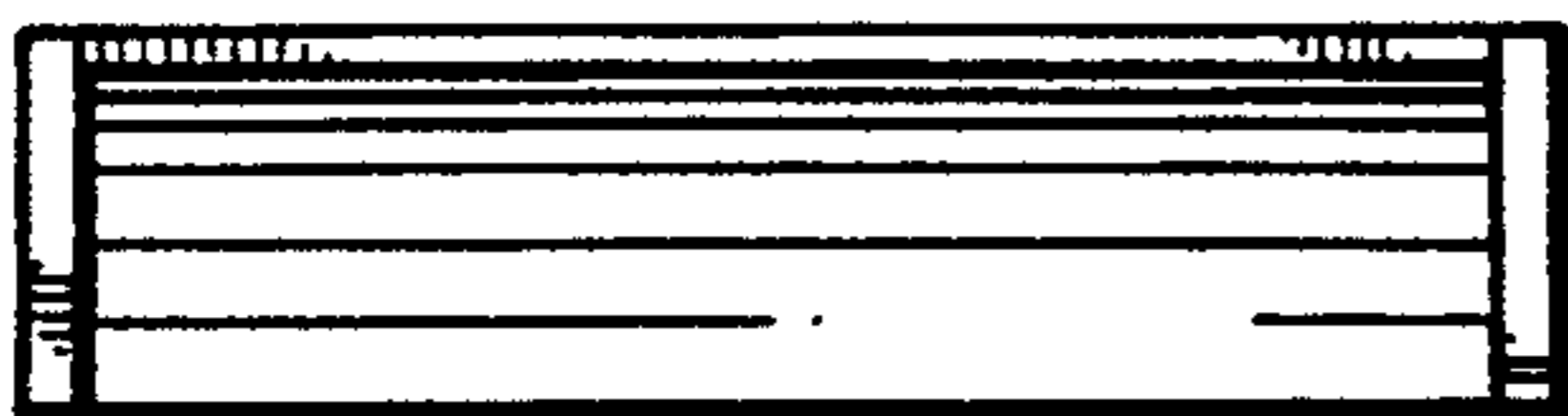


FIG. 5

