

[54] CHAIR BASE

[75] Inventor: Thomas M. Edwards, Wyoming, Mich.

[73] Assignee: Herman Miller, Inc., Zeeland, Mich.

[\*\*] Term: 14 Years

[21] Appl. No.: 205,110

[22] Filed: Jun. 10, 1988

[52] U.S. Cl. .... D6/498

[58] Field of Search ..... D6/491, 495, 496, 498, D6/499-502, 486, 366, 393, 480, 482, 489, 363

[56] References Cited

U.S. PATENT DOCUMENTS

D. 24,946	12/1895	Morgan	.....	D6/498
D. 99,727	5/1936	Powell	.....	D6/498
D. 164,900	10/1951	Burdick	.....	D6/498
D. 199,671	12/1964	Mulhauser, Jr.	.....	D6/498
D. 204,189	3/1966	Dillen	.....	D6/498
D. 208,466	9/1967	Rodrigo	.....	D6/498
D. 273,549	4/1984	Petitt	.....	D6/498
D. 284,150	6/1986	Petitt	.....	D6/498
1,909,018	5/1933	Sengpiel	.	
2,044,021	6/1936	Schachtel	.	

OTHER PUBLICATIONS

Period Tables Inc., p. 7, C-23 Traditional Box, bottom right table.

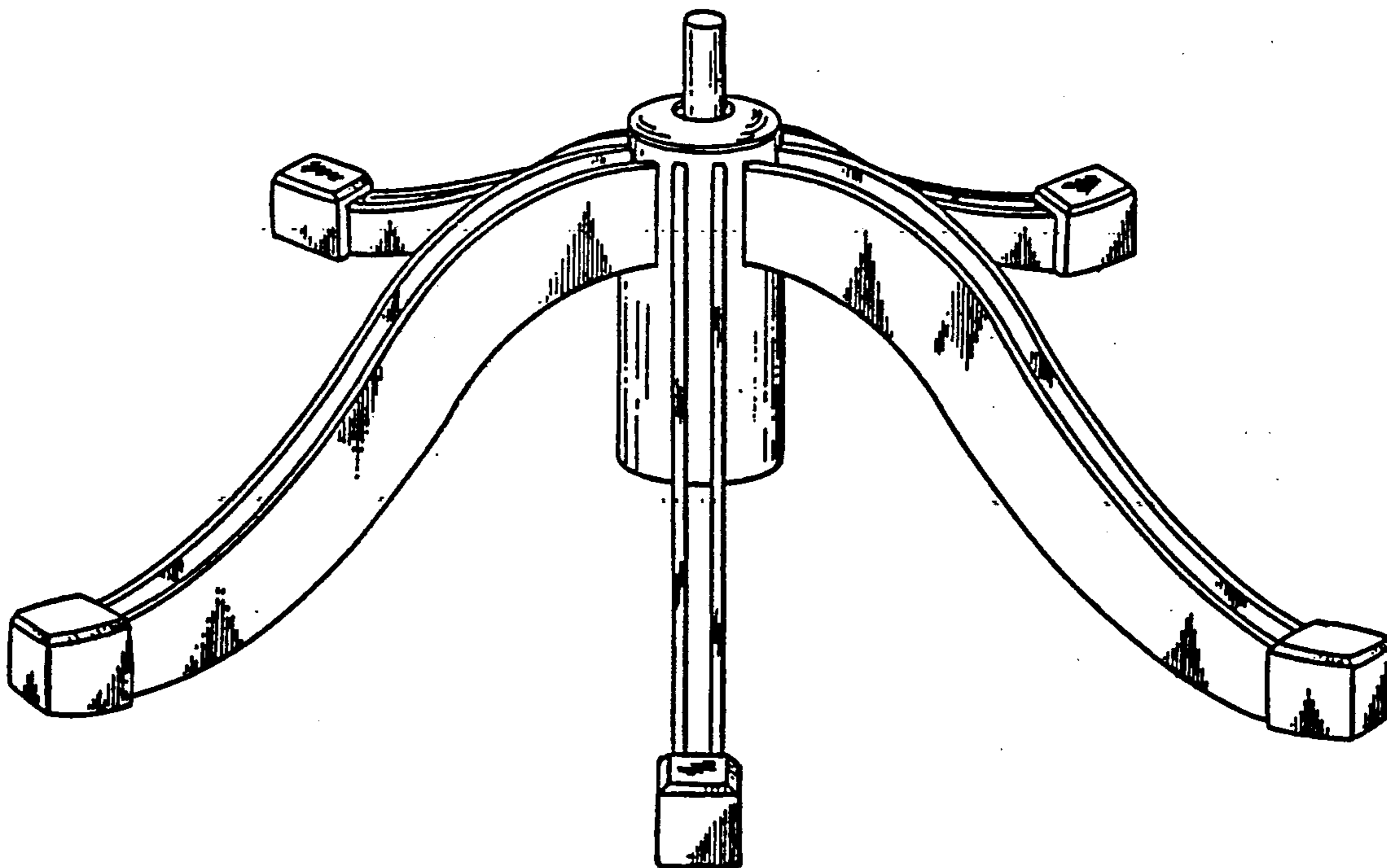
Primary Examiner—Bruce W. Dunkins  
Assistant Examiner—Janice E. Seeger  
Attorney, Agent, or Firm—Varnum, Riddering, Schmidt & Howlett

[57] CLAIM

The ornamental design for a chair base, as shown and described.

DESCRIPTION

FIG. 1 is a perspective view of a chair base, showing my new design;  
FIG. 2 is a top plan view;  
FIG. 3 is a bottom plan view;  
FIG. 4 is a side elevational view;  
FIG. 5 is an alternate side elevational view;  
FIG. 6 is an elevational view, showing the side not shown in FIG. 4;  
FIG. 7 is a perspective view of a chair base, showing an alternate embodiment of my new design;  
FIG. 8 is a top plan view of the alternate embodiment;  
FIG. 9 is a bottom plan view of the alternate embodiment; and  
FIG. 10 is a side elevational view of the alternate embodiment, showing one of four identical sides.



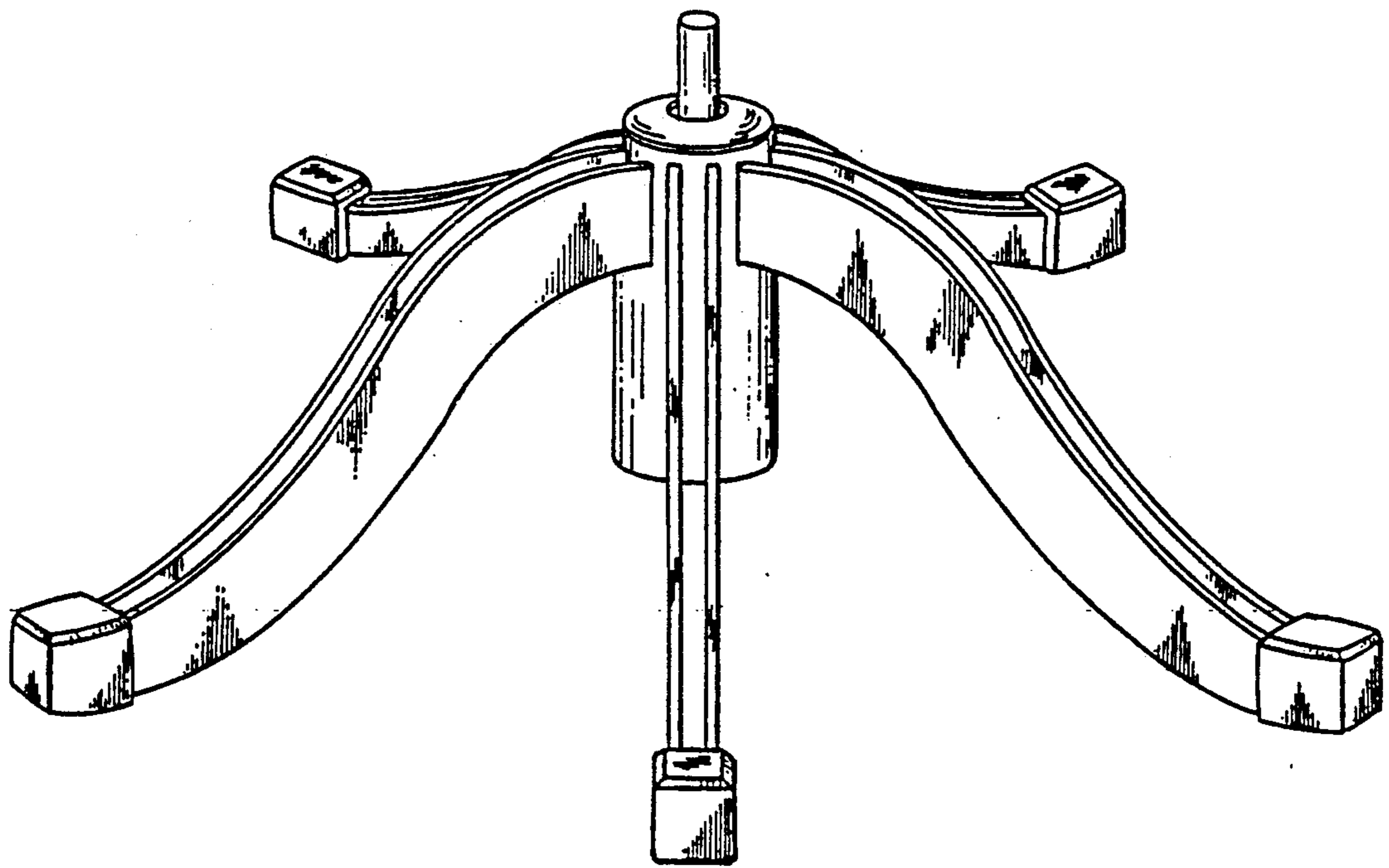


FIG. 1

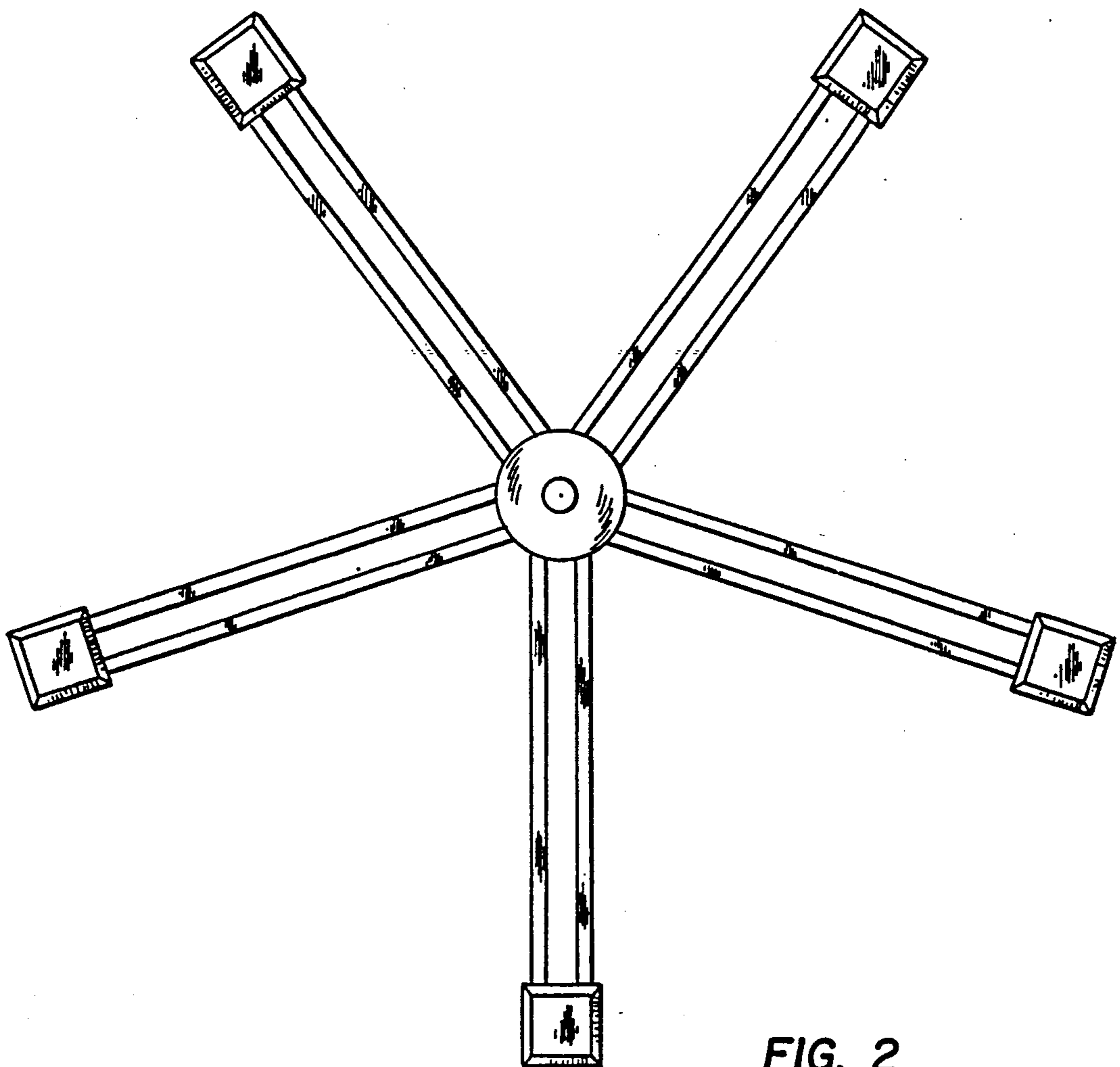


FIG. 2

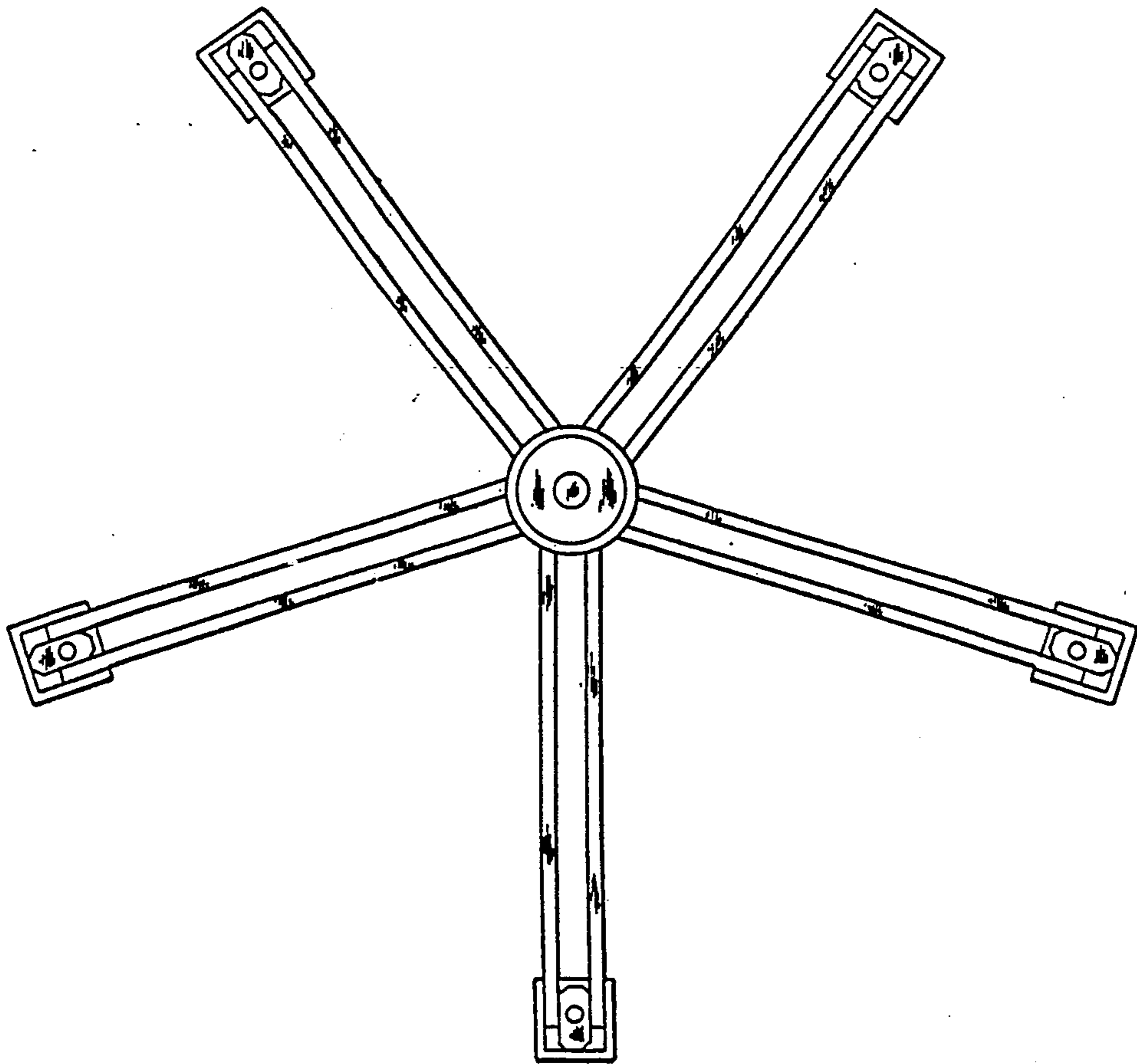


FIG. 3

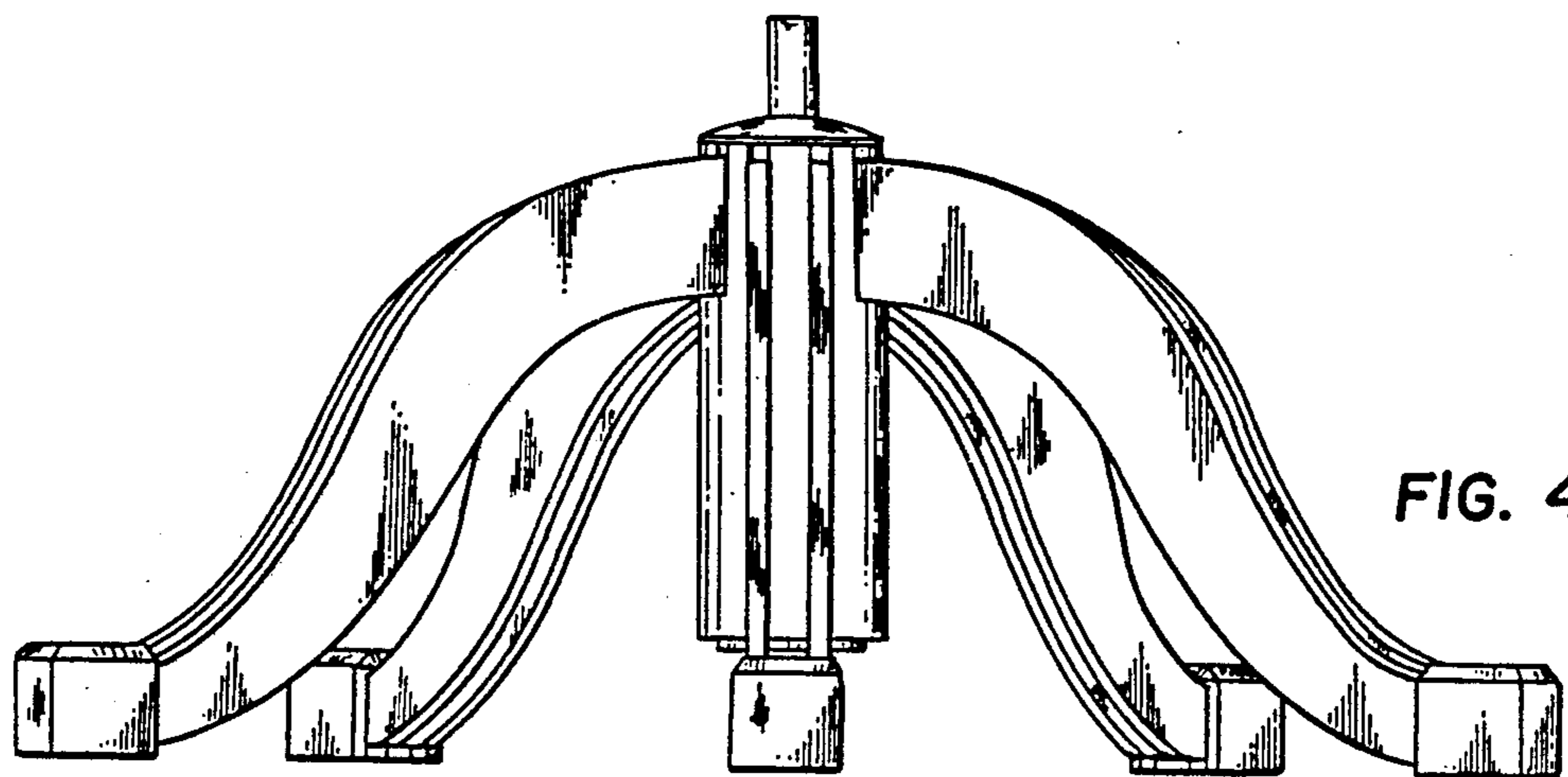


FIG. 4

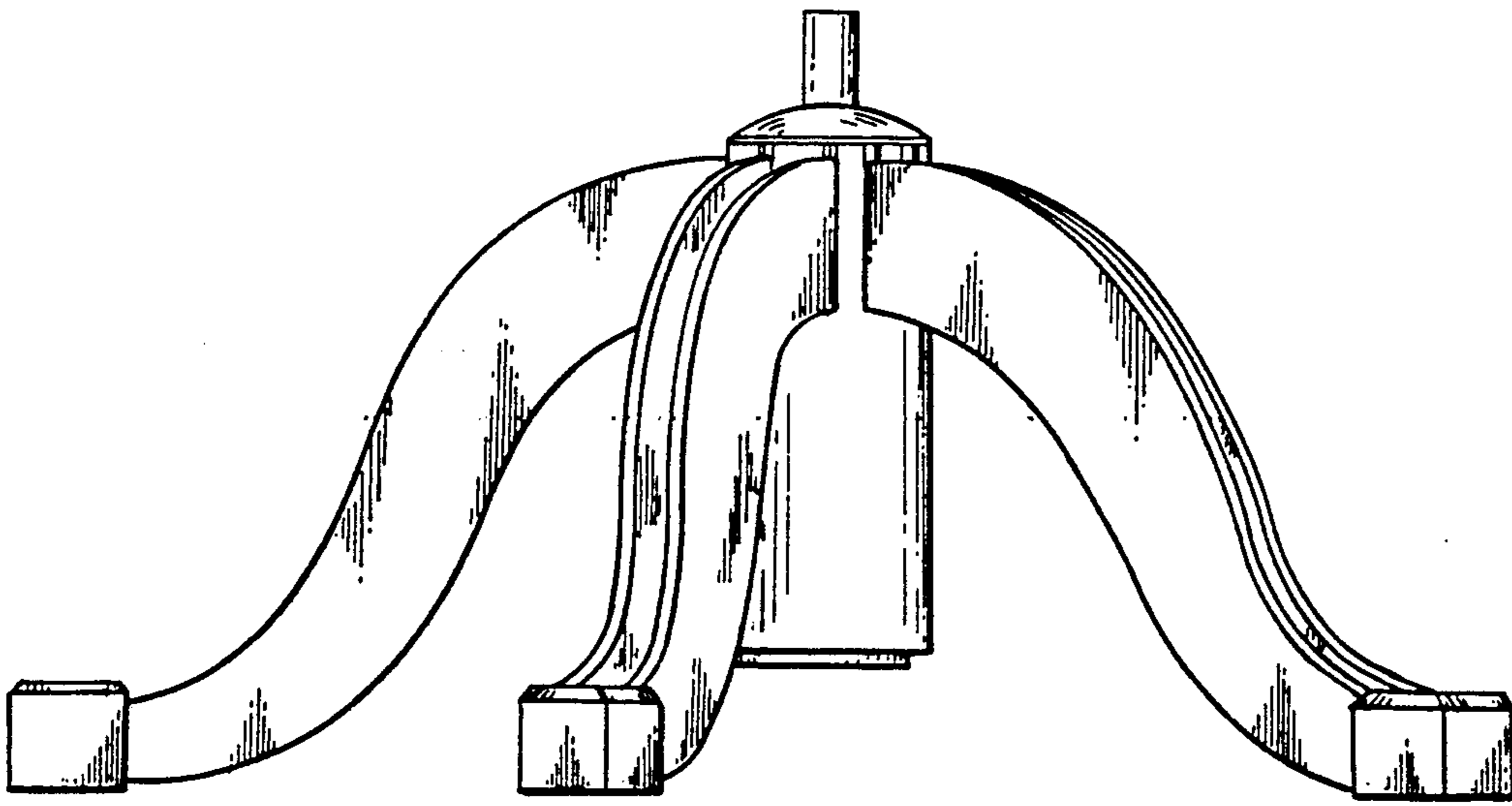


FIG. 5

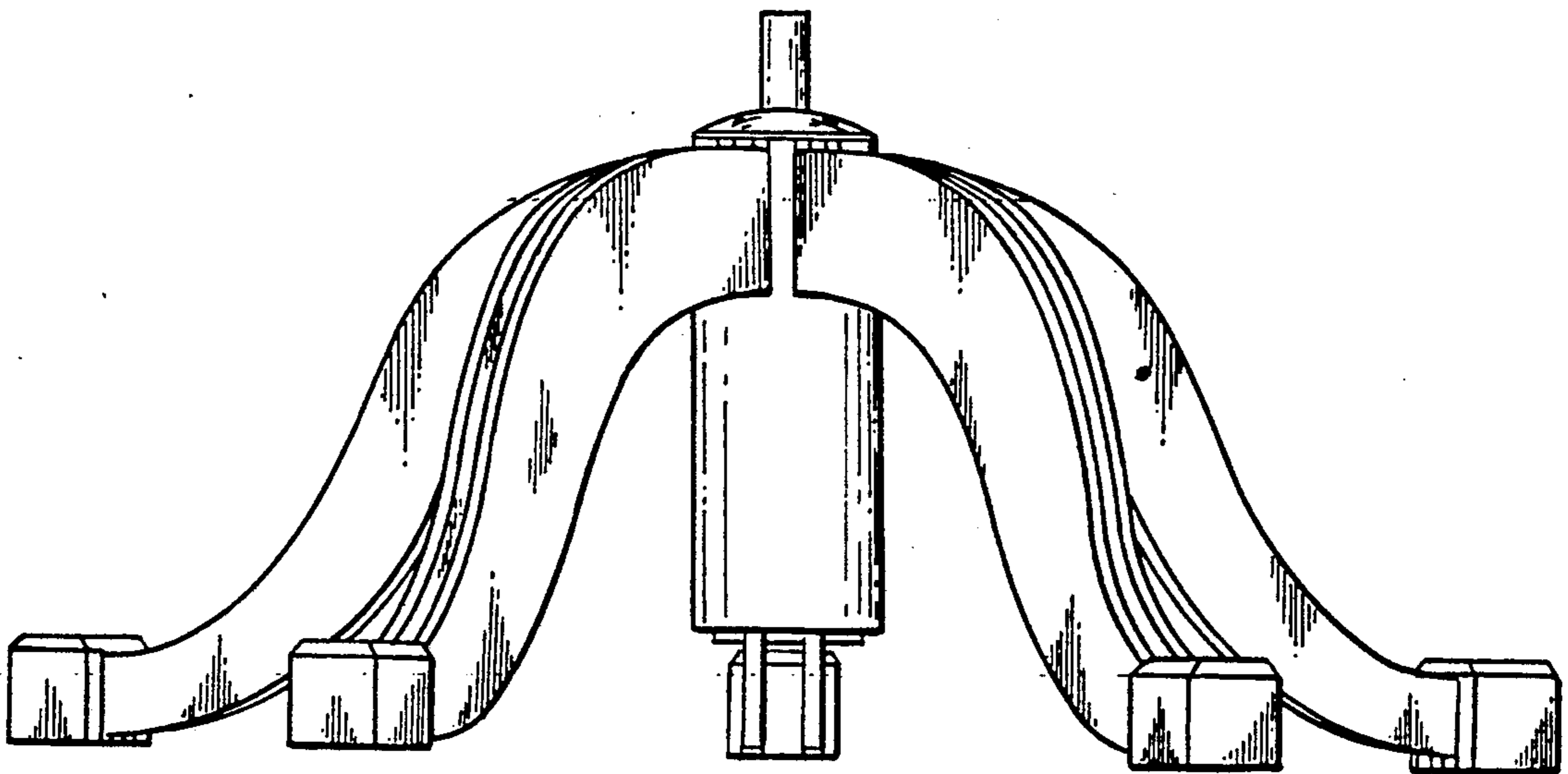


FIG. 6

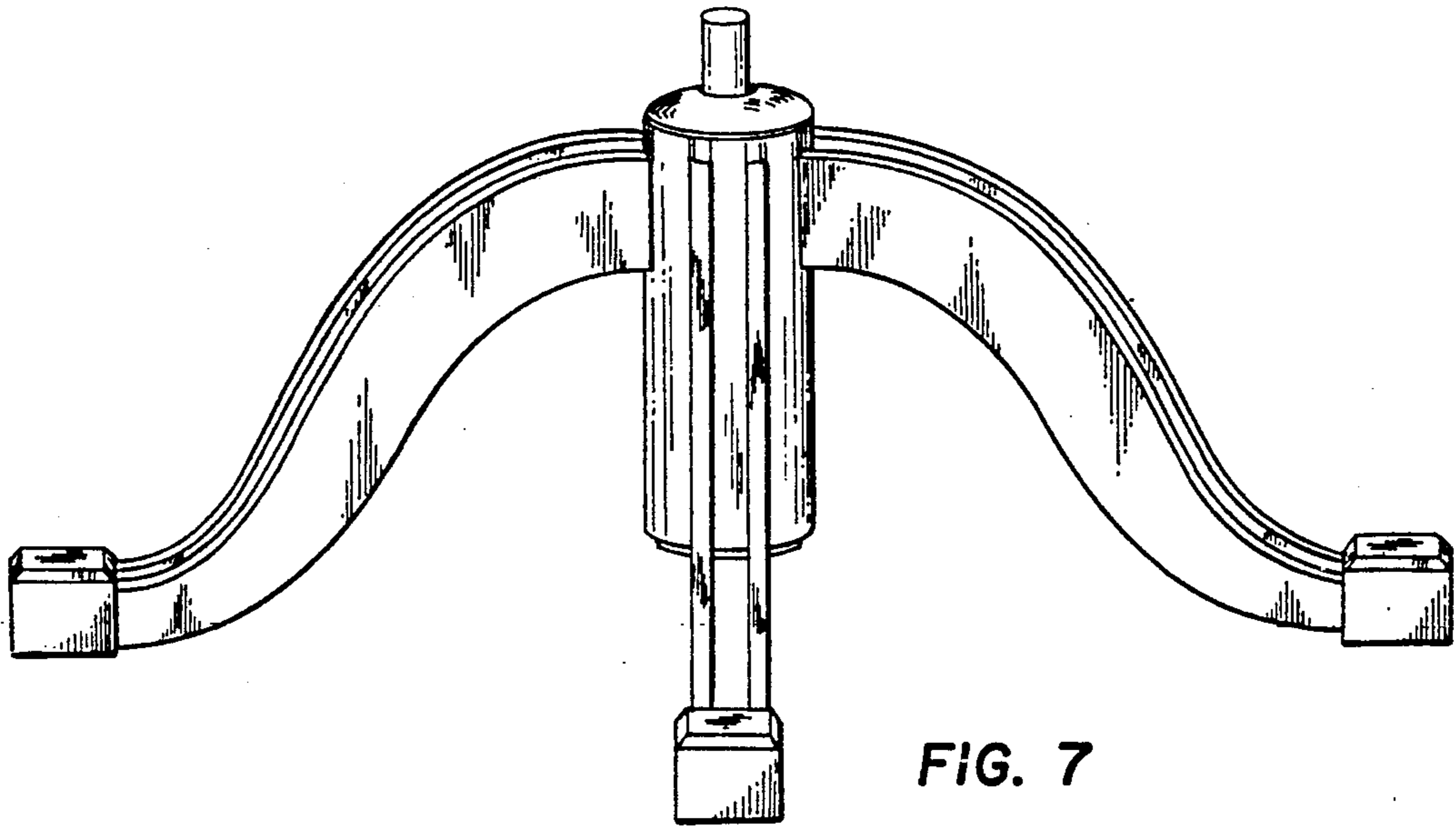


FIG. 7

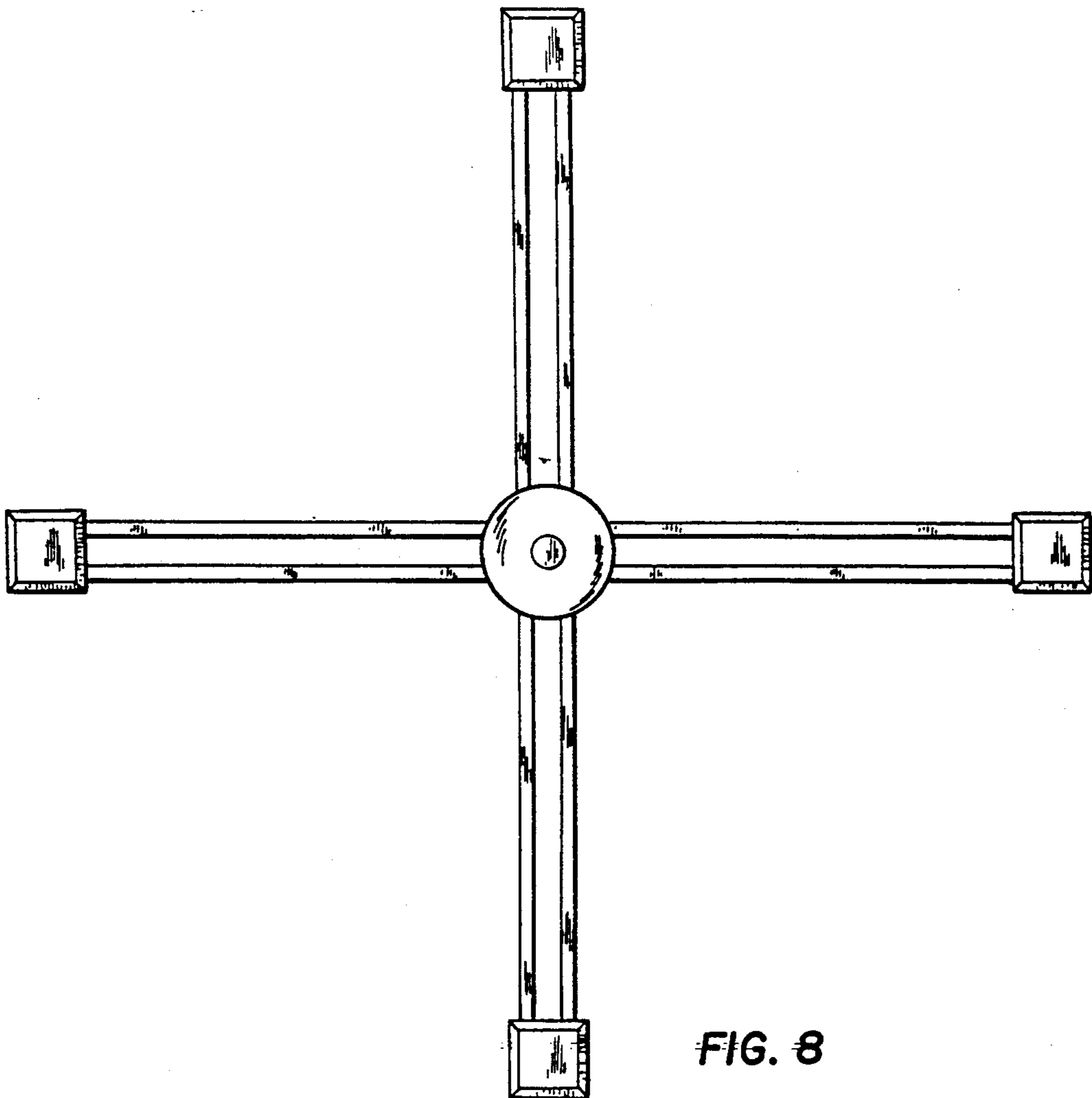


FIG. 8

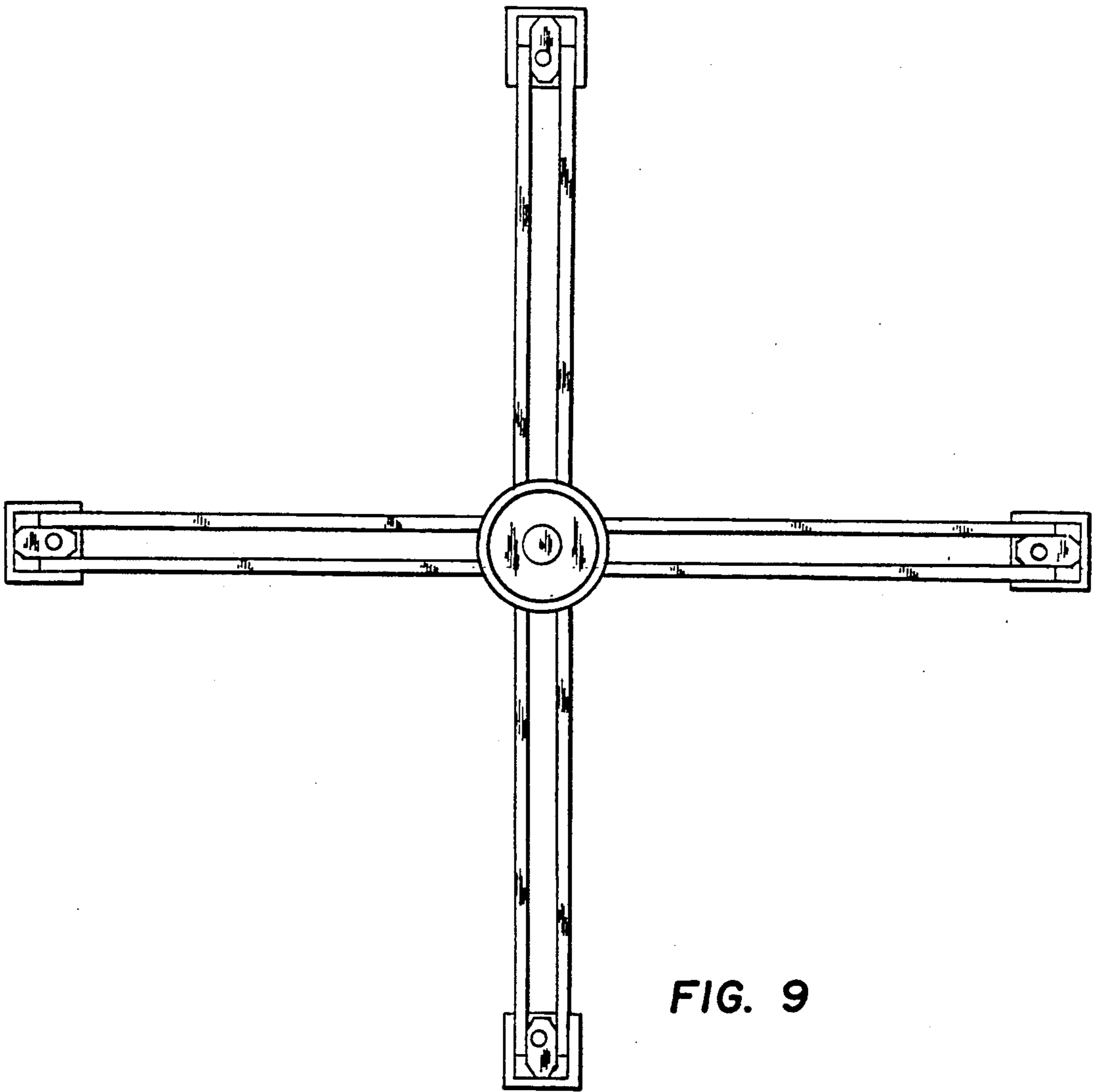


FIG. 9

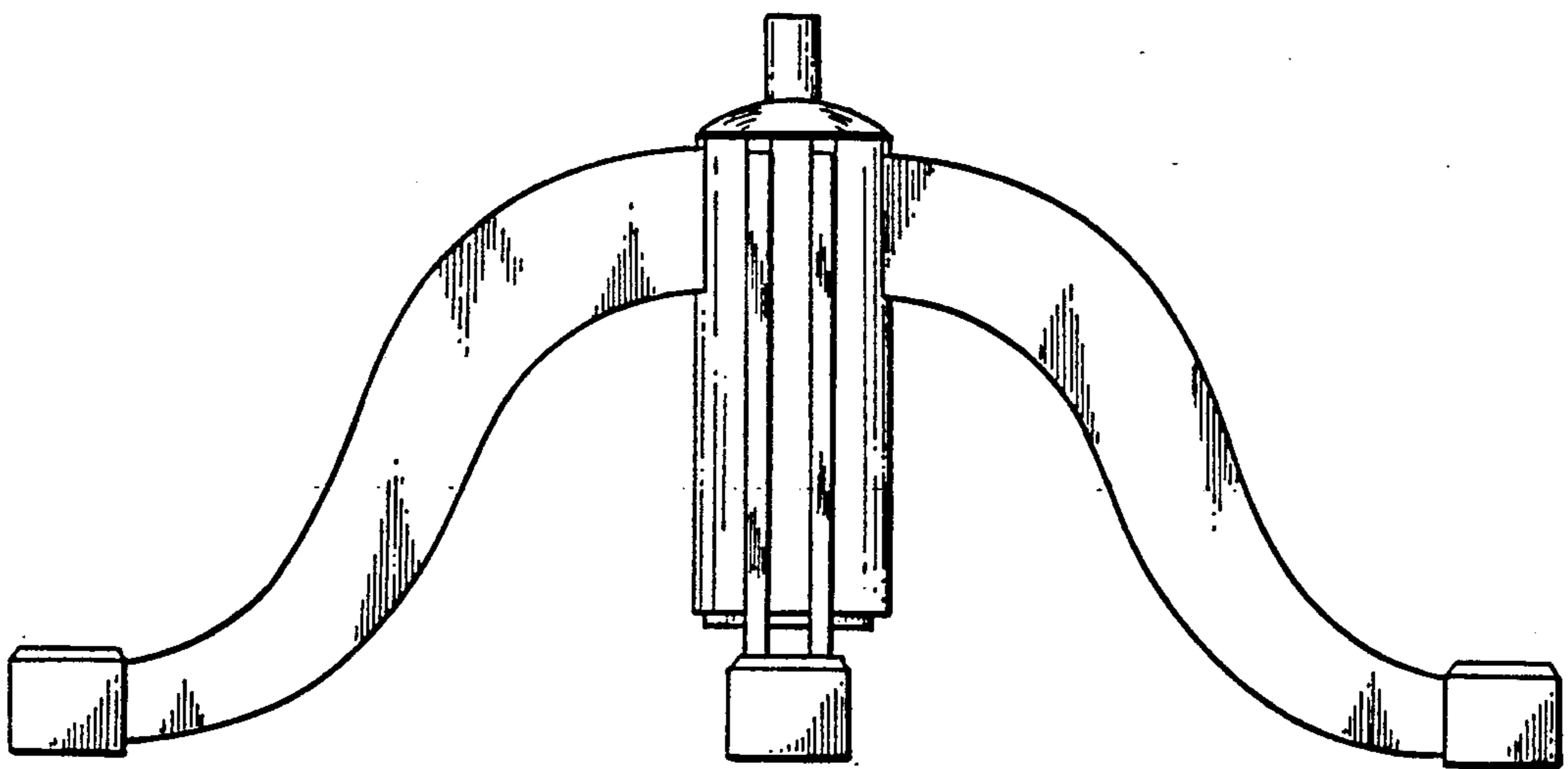


FIG. 10