

[54] COMBINED TOOTHBRUSH AND DENTAL FLOSS HOLDER

[75] Inventor: Toshiki Tanaka, Hayamamachi, Japan

[73] Assignee: Kabushiki Kaisha Doctor McCoy, Ushi, Japan

[**] Term: 14 Years

[21] Appl. No.: 269,549

[22] Filed: Nov. 10, 1988

[52] U.S. Cl. D4/108; D28/64

[58] Field of Search D4/104-114, D4/130, 138, 199; D24/10-11; D28/64; 15/105-106, 110, 143 R, 159 R, 159 A, 160, 167.1-167.3, 171-173, 175, 176.1-176.3, 176.6, 184-185; 132/308-315, 321-328

[56] References Cited

U.S. PATENT DOCUMENTS

- D. 191,821 11/1961 Mitchell D4/108
- D. 290,312 6/1987 Wang D4/108
- 1,296,067 3/1919 Fuller 15/167.1 X

3,847,168 11/1974 Schlegel 132/309

Primary Examiner—Wallace R. Burke
Assistant Examiner—Lavone D. Tabor
Attorney, Agent, or Firm—Charles E. Baxley

[57] CLAIM

The ornamental design for a combined toothbrush and dental floss holder, as shown and described.

DESCRIPTION

FIG. 1 is a top plan view of a combined toothbrush and dental floss holder showing my new design, the dental floss being omitted for ease and clarity of illustration only;

FIG. 2 is a left side elevational view thereof;

FIG. 3 is a right side elevational view thereof;

FIG. 4 is a front and elevational view thereof;

FIG. 5 is a rear end elevational view thereof;

FIG. 6 is a bottom plan view thereof;

FIG. 7 is a perspective view thereof;

FIG. 8 is a sectional view taken along line 8—8 of FIG. 1; and

FIG. 9 is a perspective view thereof, shown with the dental floss in place.

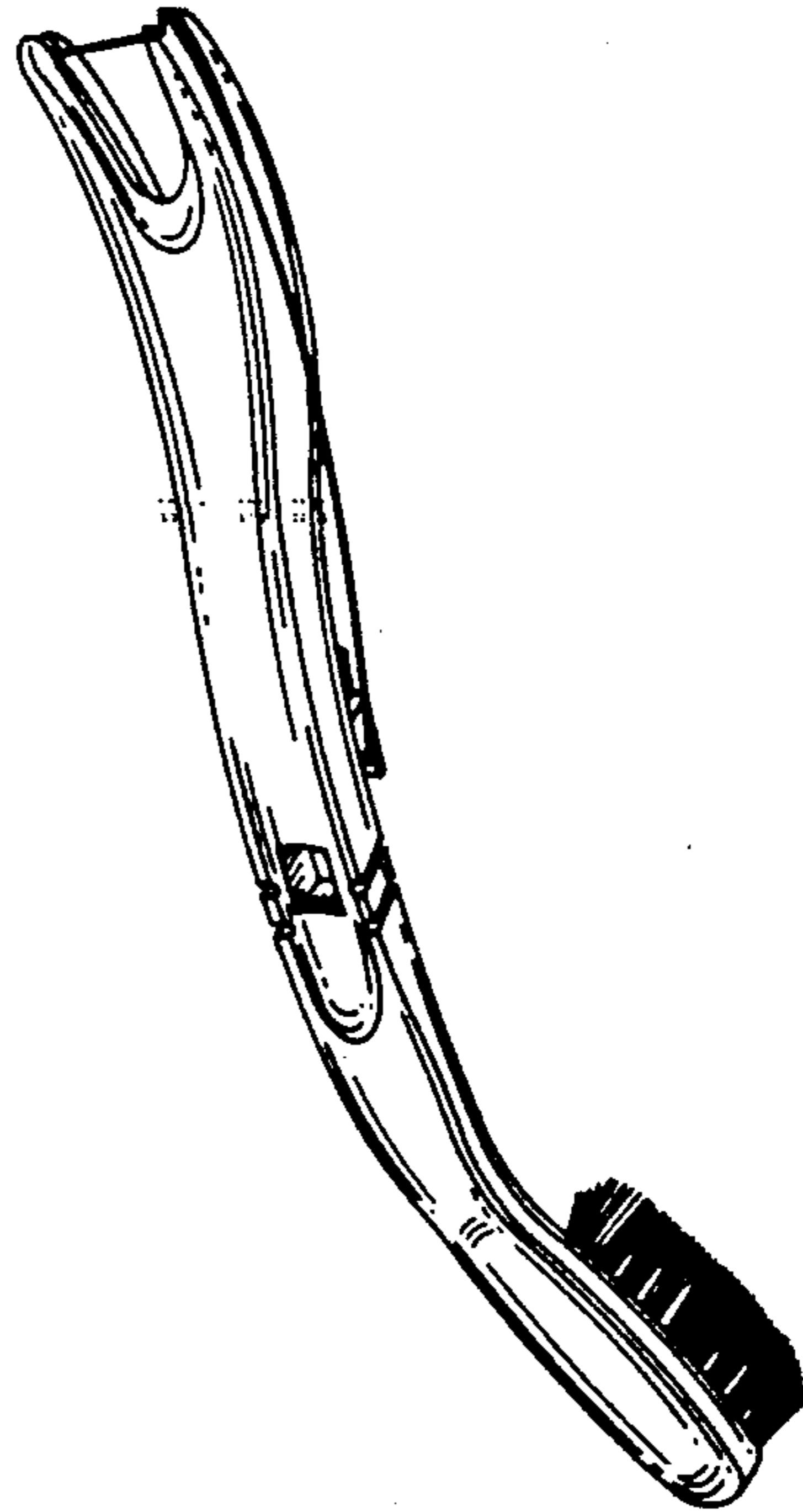
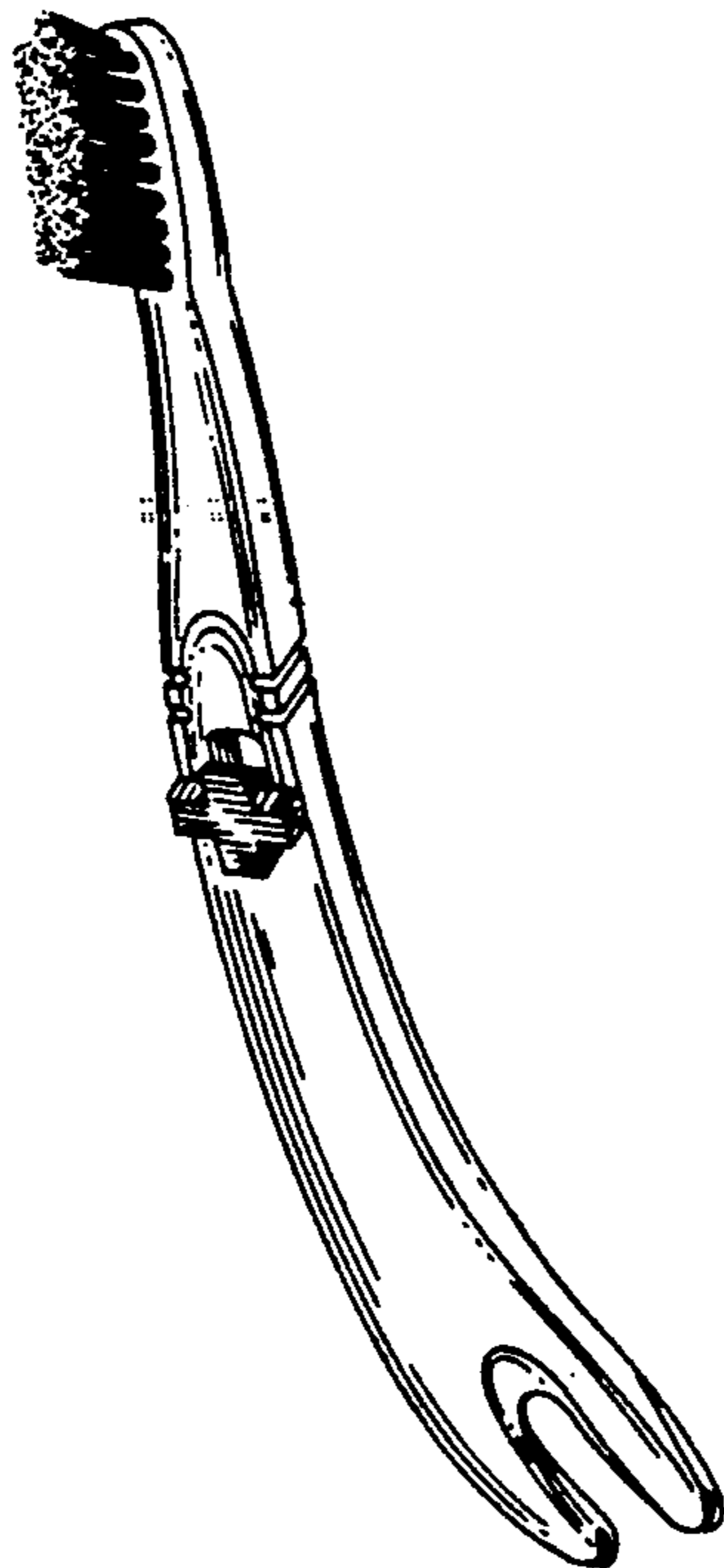
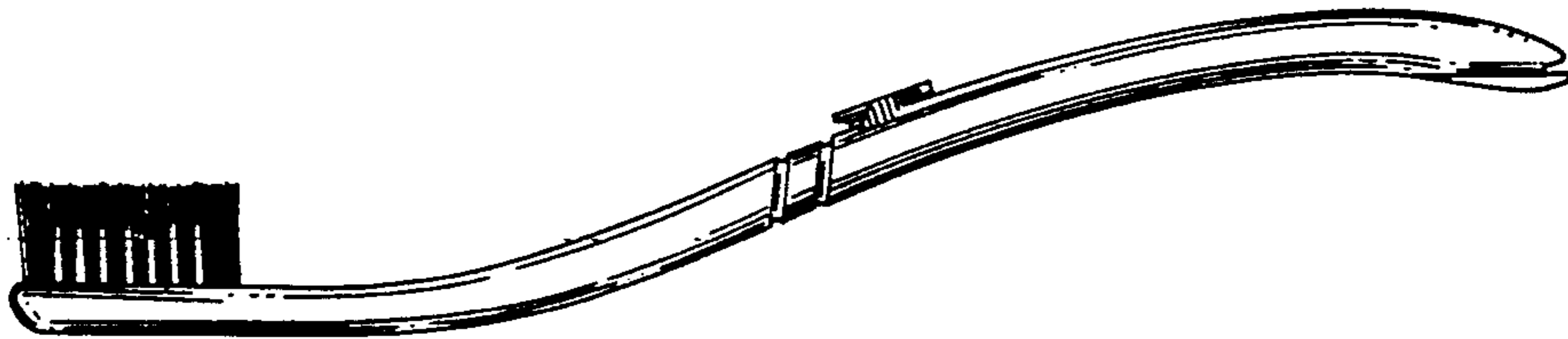


FIG. 3

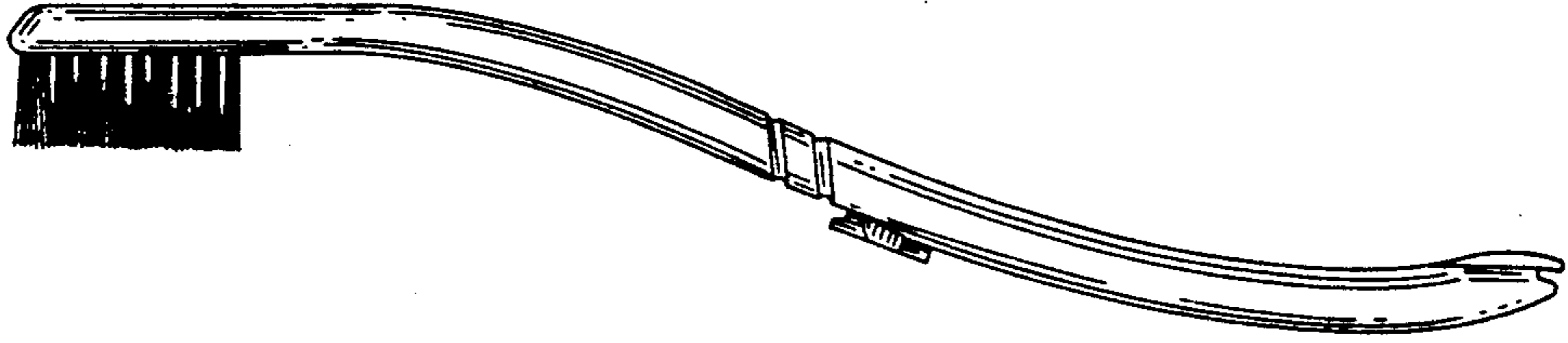


FIG. 1

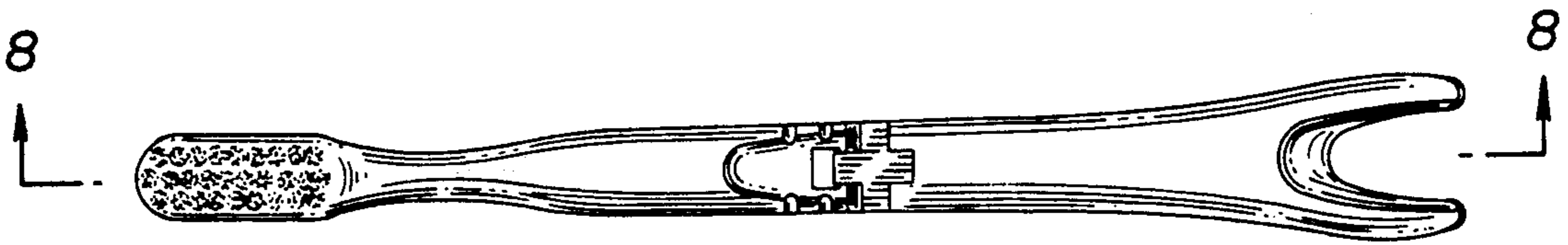


FIG. 2

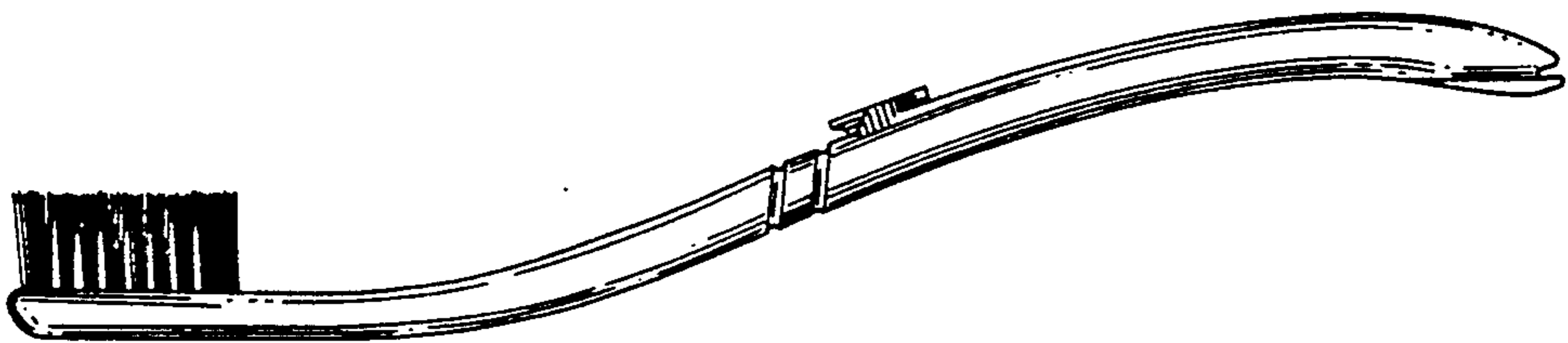


FIG. 4

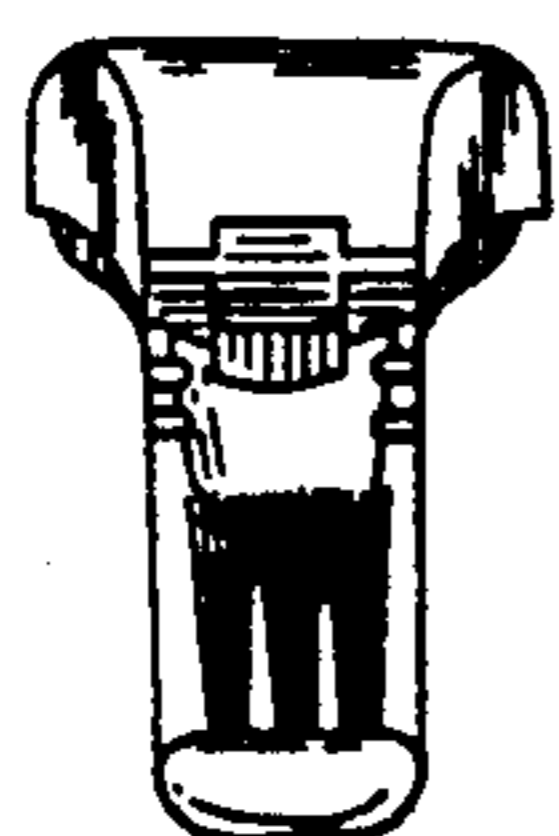


FIG. 5

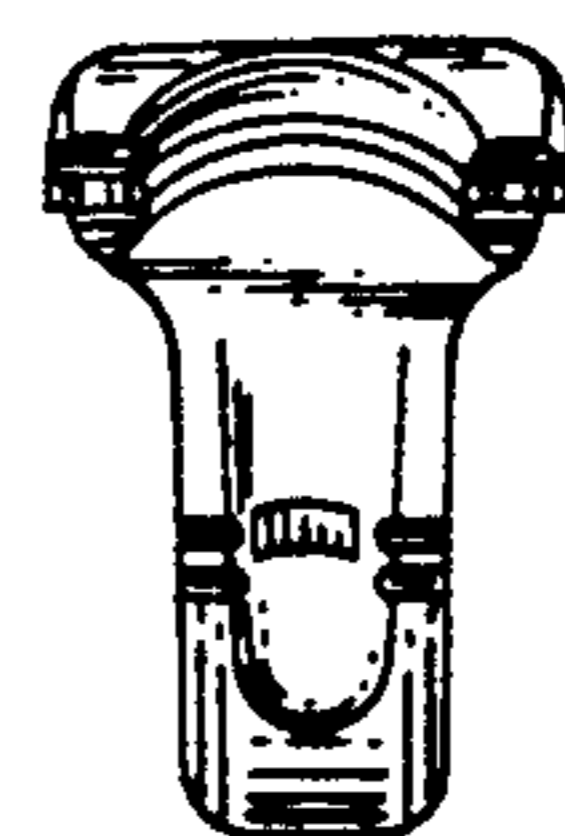


FIG. 6

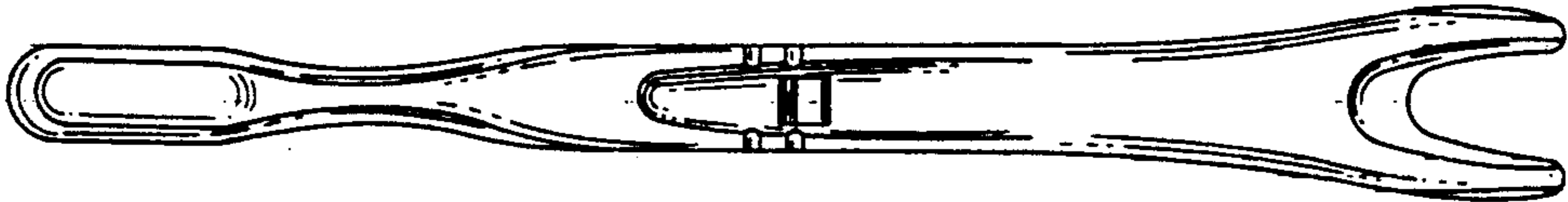


FIG. 7

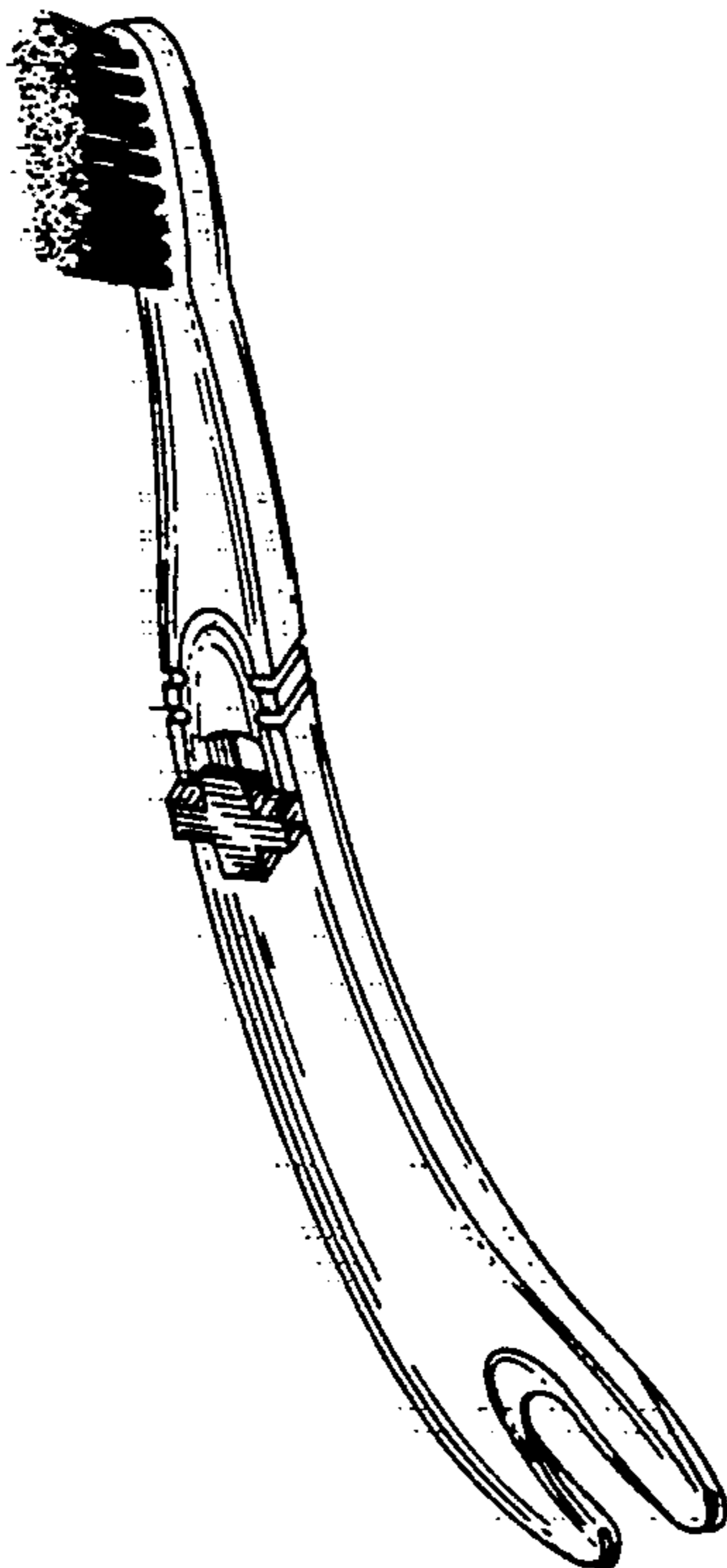


FIG. 9

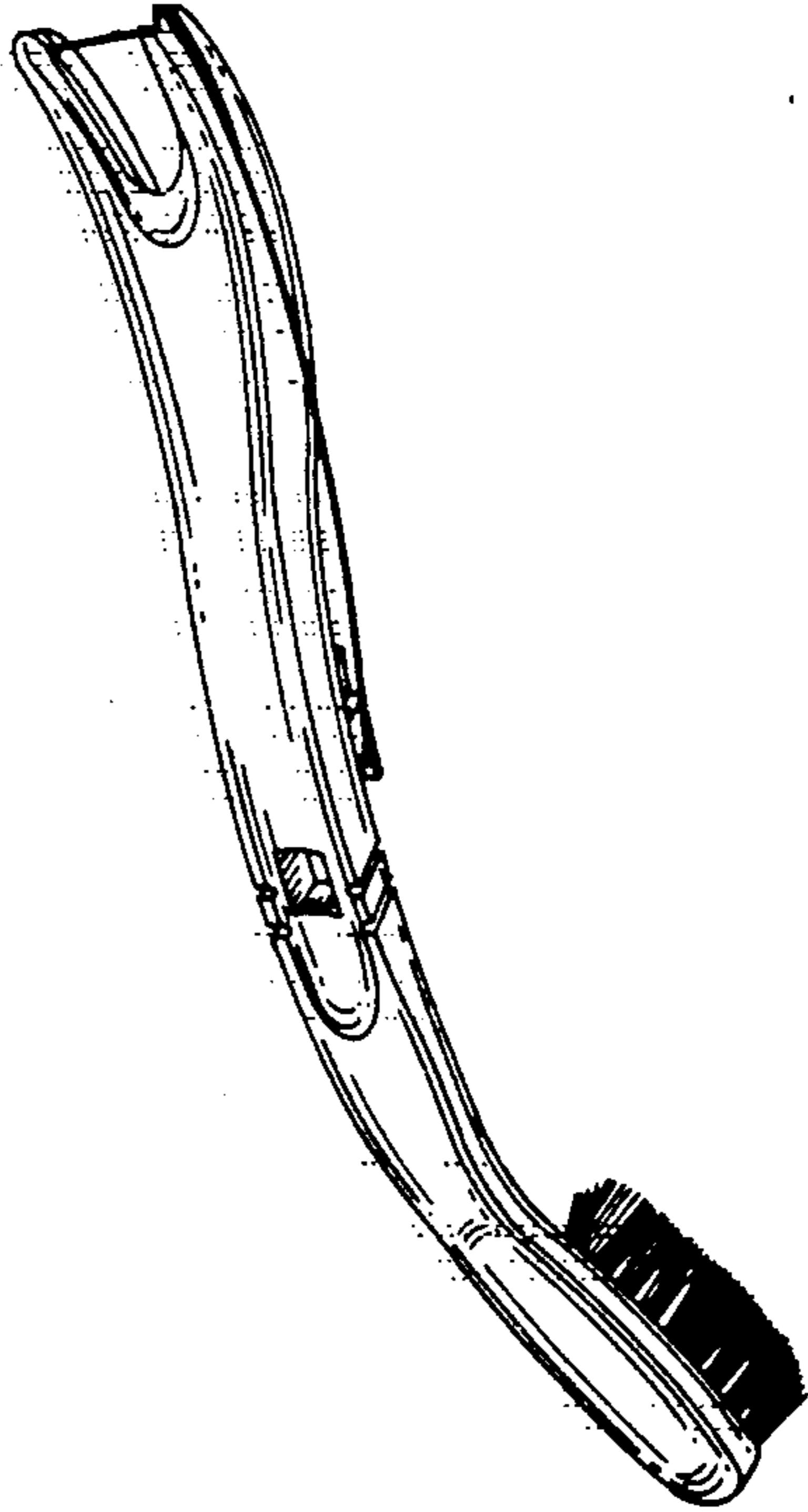


FIG. 8

