

# United States Patent [19]

Kunimune et al.

[11] Patent Number: **Des. 315,982**

[45] Date of Patent: **\*\* Apr. 9, 1991**

[54] CASE

[75] Inventors: **Noriaki Kunimune, Higashiosaka;  
Yukio Wada, Kyoto, both of Japan**

[73] Assignee: **Kunimune Kogyosho Co., Ltd., Osaka,  
Japan**

[\*\*] Term: **14 Years**

[21] Appl. No.: **146,793**

[22] Filed: **Jan. 22, 1988**

[30] Foreign Application Priority Data

Sep. 24, 1987 [JP] Japan ..... 62-38875

[52] U.S. CL ..... **D3/35; D3/74**

[58] Field of Search ..... **D3/35, 71, 76, 74, 56;  
D19/26; 190/117, 109, 110, 117, 16, 900, 122,  
111, 102; 206/307, 309, 459, 444, 313, 312, 311,  
342**

[56] References Cited

U.S. PATENT DOCUMENTS

D. 267,714 1/1983 Tajima et al. .... D3/35

D. 294,430 3/1988 Tell ..... D3/35  
848,889 4/1907 Fitzgerald ..... 190/16  
2,036,341 4/1936 Lemburg ..... 150/147  
3,951,264 4/1976 Heidecker et al. .... 206/309  
4,519,500 5/1985 Perchak ..... 206/312

*Primary Examiner*—Louis S. Zarfaz  
*Assistant Examiner*—Mn Pandozzi  
*Attorney, Agent, or Firm*—Birch, Stewart, Kolasch &  
Birch

[57] CLAIM

The ornamental design for a case, as shown and described.

## DESCRIPTION

FIG. 1 is a top front perspective view of a case showing our new design; the bottom being identical;  
FIG. 2 is a top perspective view of the case in an open position;  
FIG. 3 is a top plan view of the case, in closed position; and  
FIG. 4 is a cross-sectional view taken on line 4—4 of FIG. 3.

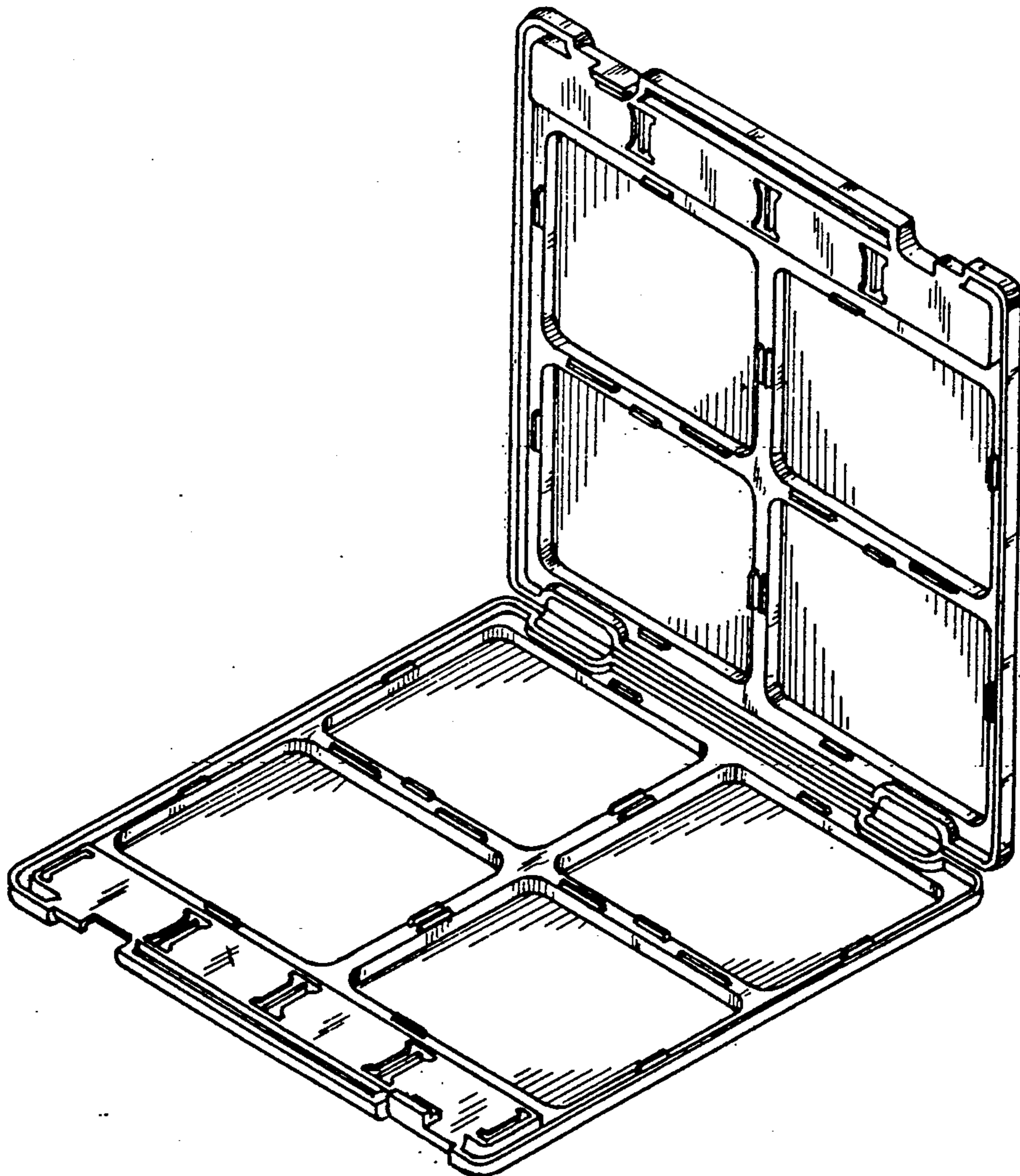


FIG. 1

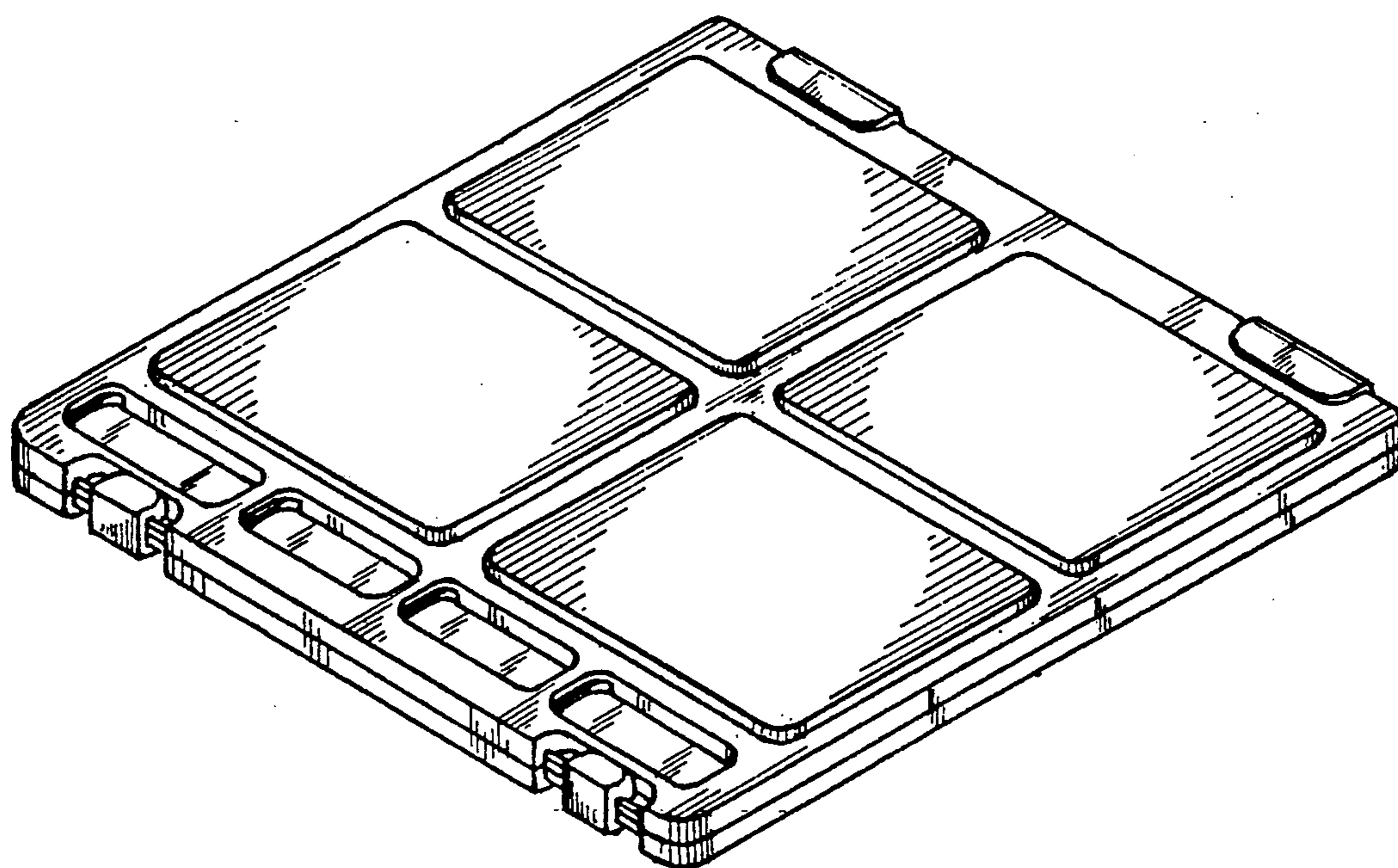


FIG. 2

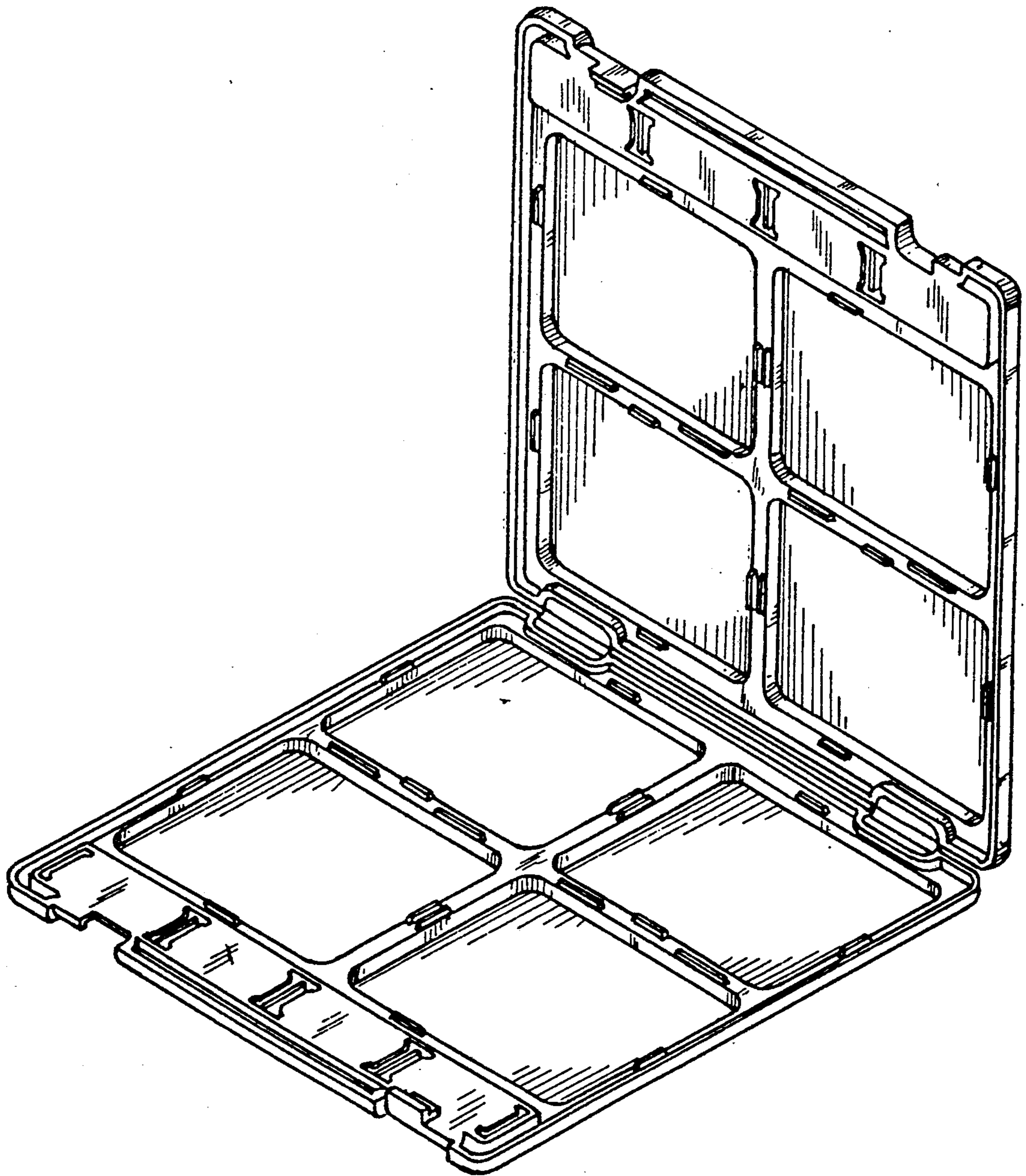


FIG.3

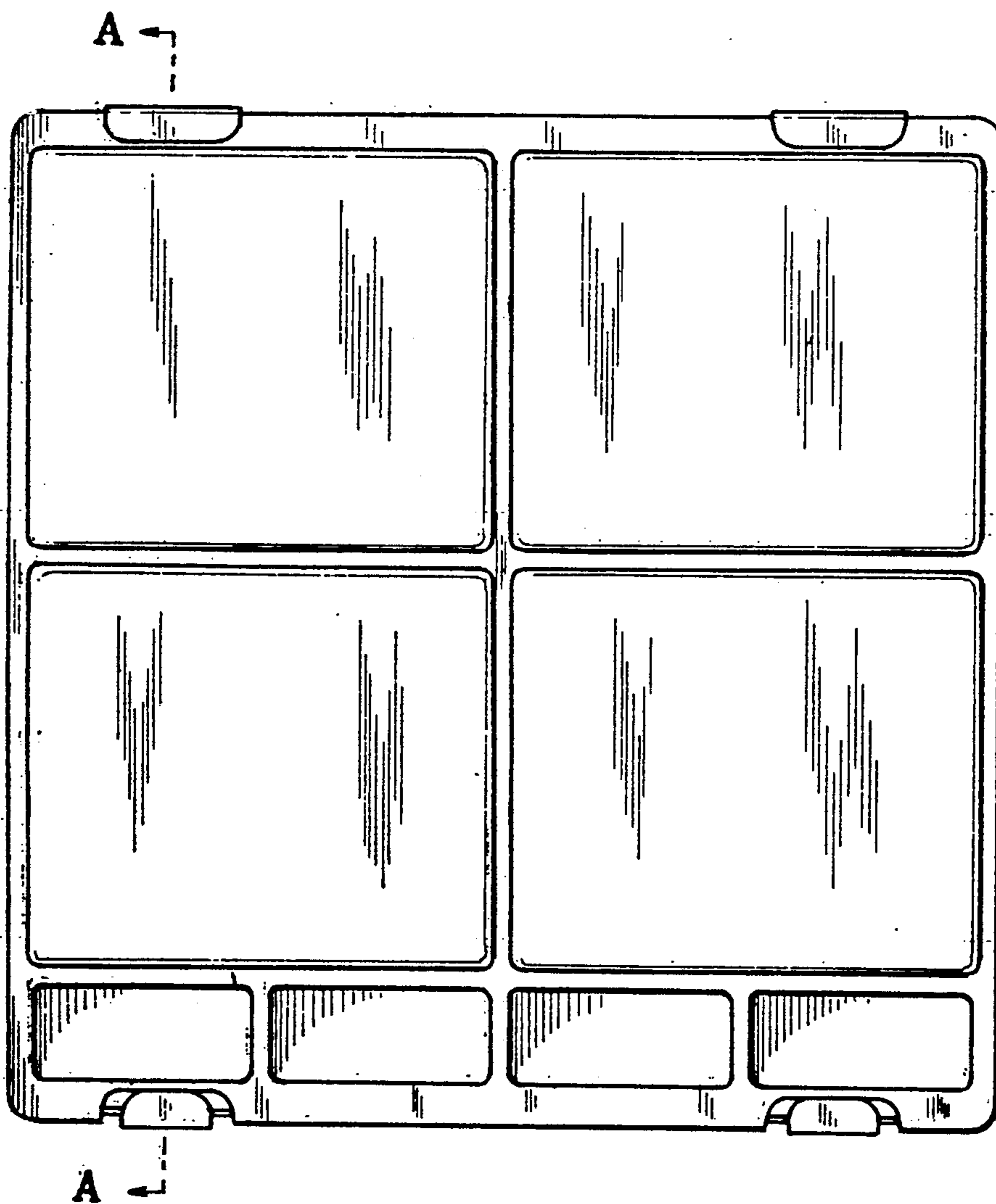


FIG.4

